

# ... TSDR

12.5 ± 1 mm  
0.49 ± 0.04"

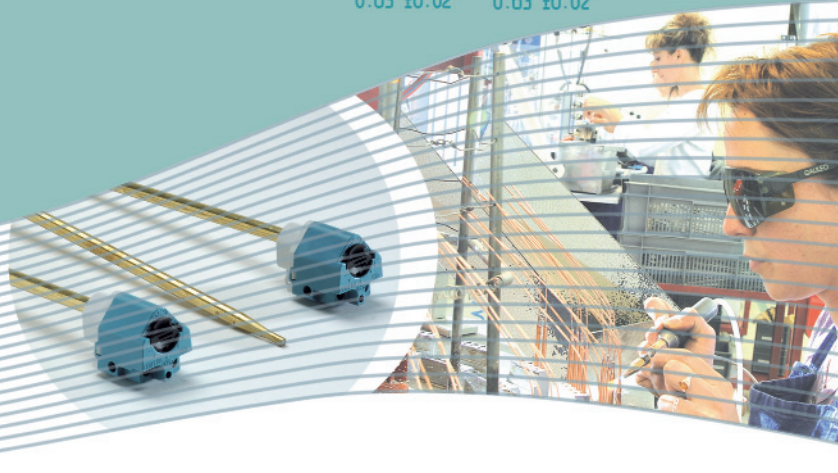
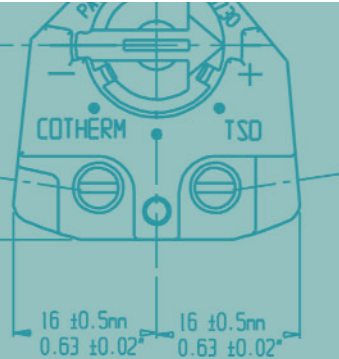
17.7 ± 1 mm  
0.7 ± 0.04"

17.5 ± 1 mm  
0.69 ± 0.04"

21.5 ± 0.5 mm  
0.85 ± 0.02"

16 ± 0.5 mm  
0.63 ± 0.02"

16 ± 0.5 mm  
0.63 ± 0.02"



## → DESCRIPTION

Combistat with single pole stem control and single pole safety limiter

## → FEATURES

- Patented MFS technology
- Ensures compliance with clauses 19 and 22 of EN 60335-2-73 for fixed immersion heaters
- Independent non self resetting safety option
- Accurate and reliable temperature control
- Tamper proof housing
- Direct replacement for non-compliant immersion thermostats
- Available as automatic control without safety

## → OPERATION

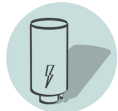
The differential expansion of the sensing element causes the opening of a snap-action switch in the thermostat head. In case of abnormal temperature rise, the patented MFS technology ensures single pole safety operation. The limiter is manually resettable

## TECHNICAL CHARACTERISTICS

	TSDR	TSD
Type	Single pole stem control with single pole MFS technology safety limiter	Single pole stem control
Temperature range	0°C to 160°C / 32°F to 320°F	
Differential	Approx. 5% of the temperature range	
Safety limiter temperature	Fixed 60°C - 90°C / 140°F - 194°F	
Adjustment	Control knob	
Rating	20A - 240V / 16A - 240V	
Mounting	Directly into heating element pocket	
Material	Brass, invar, MFS	
Stem length	165 mm, 261 mm and 442 mm / 7, 11 and 18"	
Sensing element diameter	7.5 mm / 3/8"	
Maximum head temperature	100°C / 212°F	
Connections	Screw or pillar terminals	
Approvals	CE, EN60730	

# ...TSDR

## TECHNICAL CHARACTERISTICS



Electric water heater



Solar water heater



Electric heating



Electric radiator



Towel dryer



Boiler



Heat pump



Fan heater / ventilation



Air conditioning



Sauna



Pool & Spa



Coffee machine



Wine cabinet



Dish washer



Washing machine



Oven (domestic and industrial)



Rotisserie



Warming drawer



Deep fryer



Commercial cold



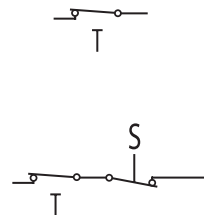
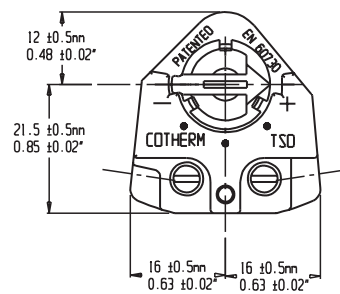
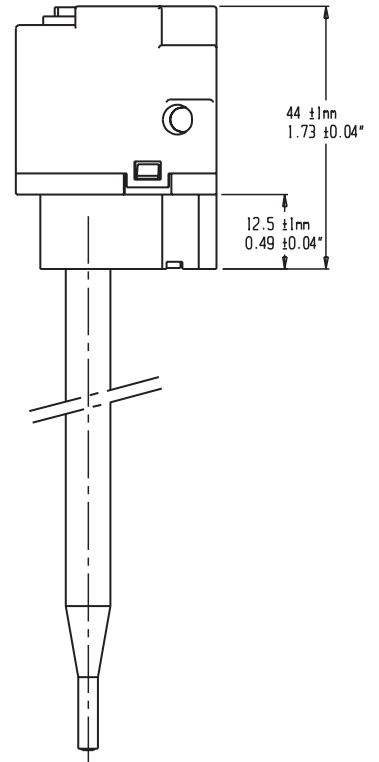
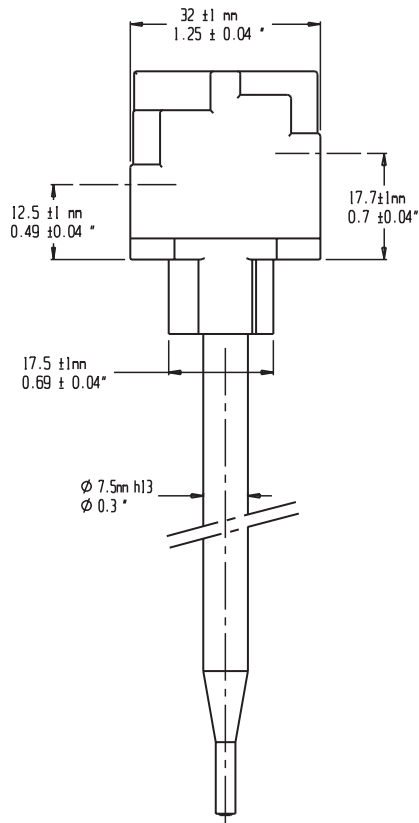
Bain marie



Medical equipment



Industrial equipment



COTHERM reserves the right to bring any modifications to our products. We manufacture products according to drawings which serve as contractual documents. We are not responsible for damage resulting from inappropriate installation or use of our product.

Weight : approx. 70g

**cotherm**  
COMPONENTS

WWW.COTHERM.COM

Z.I. LES LEVÉES 38470 VINAY FRANCE  
PHONE : +33 4 76 36 82 97  
FAX : +33 4 76 64 05 43