

# TUS

## Rod combistat

ENERGY SAVINGS - SAFETY - RENEWABLE ENERGY - HYBRID TECHNOLOGY - ENVIRONMENT - COMFORT - PLUG&PLAY - PERFORMANCE  
RENEWABLE ENERGY - HYBRID TECHNOLOGY - ENVIRONMENT - COMFORT - PLUG&PLAY - PERFORMANCE - WATER HEATER - ERP



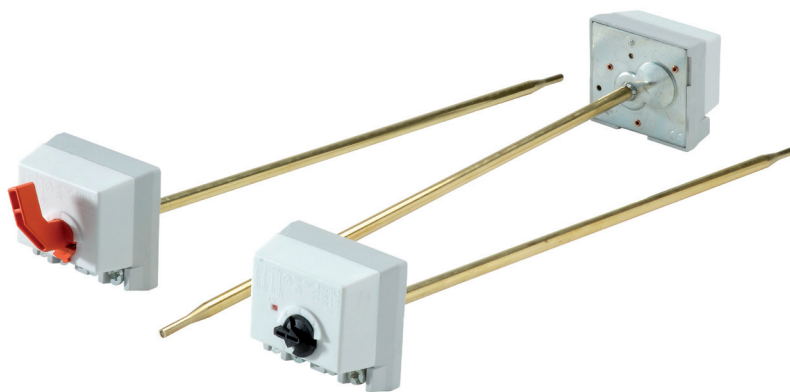
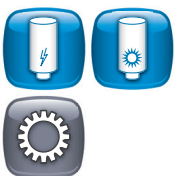
## 1-pole temperature regulation and 1 or 2-pole safety limiter

### FEATURES

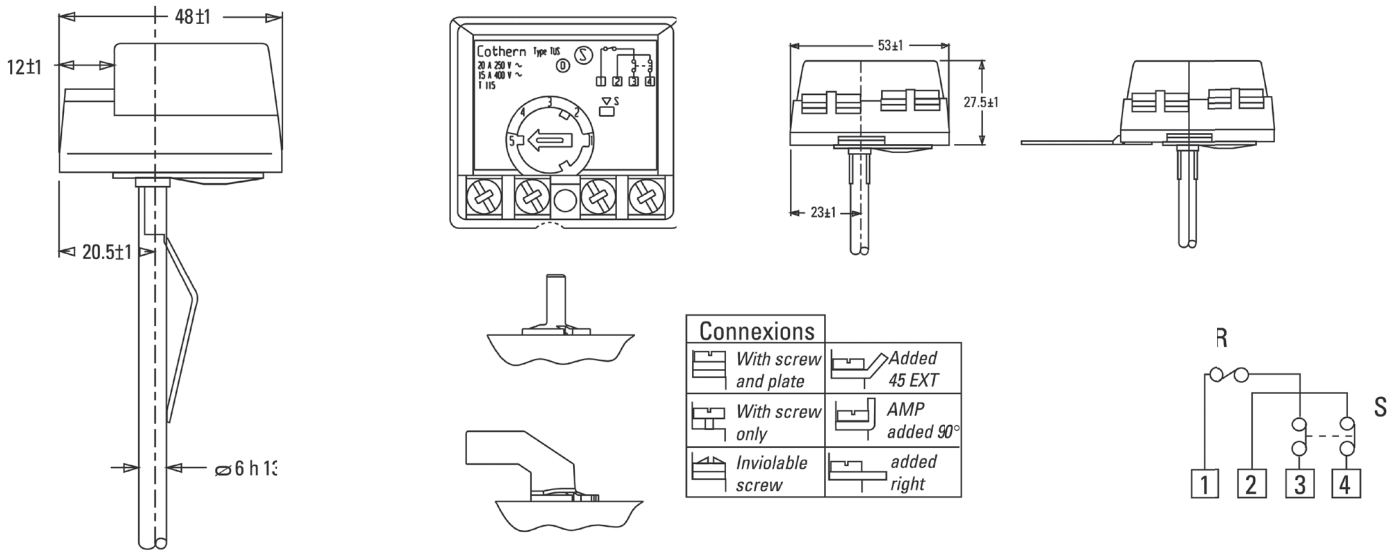
- Independent non self resetting safety function
- Available with single or double pole limiter or as control only
- Factory pre-set fixed temperature limiter, OEM adjustable or end-user adjustable control temperature

### OPERATION

The differential expansion of the sensing element causes the opening of a snap-action switch in the thermostat head. In case of abnormal temperature rise, a bimetal disc insures double pole safety. The limiter is manually resettable.



## TECHNICAL CHARACTERISTICS



	TUS	TUSS	TUSU
<b>Type</b>	Single pole rod control with double pole bimetal safety limiter	Single pole rod control with single pole bimetal safety limiter	Single pole rod control
Temperature range	0 to 160°C / 32 to 320°F		
Differential	Approx 5% of the temperature range		
Safety limiter temperature	Fixed 70 to 120°C / 158 to 248°F		
Rating	15A - 400V / 20A - 250V		
Material	Brass, invar, bimetal		
Stem length	137, 180, 215, 270, 350, and 450 mm / 5, 7, 8, 11, 14, and 18"		
Sensing element diameter	6 mm / 1/4"		
Maximum head temperature	105°C / 221°F		
Connections	Brass faston or screw terminals		
Approvals	CE conformity, ENEC MARK according to EN-60730-1, EN 67130-2-9, ROHS conformity		

**Weight:** approx. 110g