

BBS

Capillary combistat

ENERGY SAVINGS - SAFETY - RENEWABLE ENERGY - HYBRID TECHNOLOGY - ENVIRONMENT - COMFORT - PLUG&PLAY - PERFORMANCE
RENEWABLE ENERGY - HYBRID TECHNOLOGY - ENVIRONMENT - COMFORT - PLUG&PLAY - PERFORMANCE - WATER HEATER - ERP

1-pole temperature regulation and 2-pole safety limiter with manual reset

FEATURES

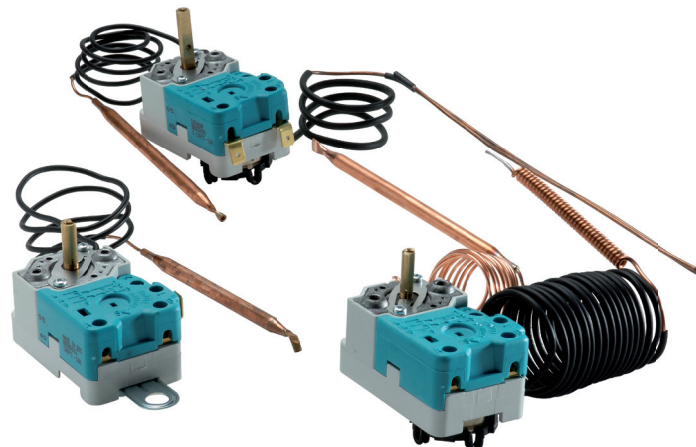
- Combined control and safety functions to reduce wiring and mounting costs
- Independent non self resetting safety
- Guarantee of safety operation: fail-safe capillary
- Choice of capillary for pocket immersion or bimetal for surface mounted reading of temperature
- Factory pre-set fixed temperature, OEM adjustable or end-user adjustable temperature
- Changeover contact option on both control and safety limiter to pilot signal lamp
- Available with separate two pole switch

OPERATION

Regulation: a rise in temperature causes the expansion of liquid within the bulb and capillary. The liquid acts on a bellows assembly within the housing to open and close electrical contacts.

Safety limiter with capillary: the liquid within the capillary is transformed to vapour with an abnormal increase in temperature. The increase in volume acts on a mechanism to open electrical contacts. In case of damage to the capillary the fail-safe limiter operates automatically. The limiter is manually resettable.

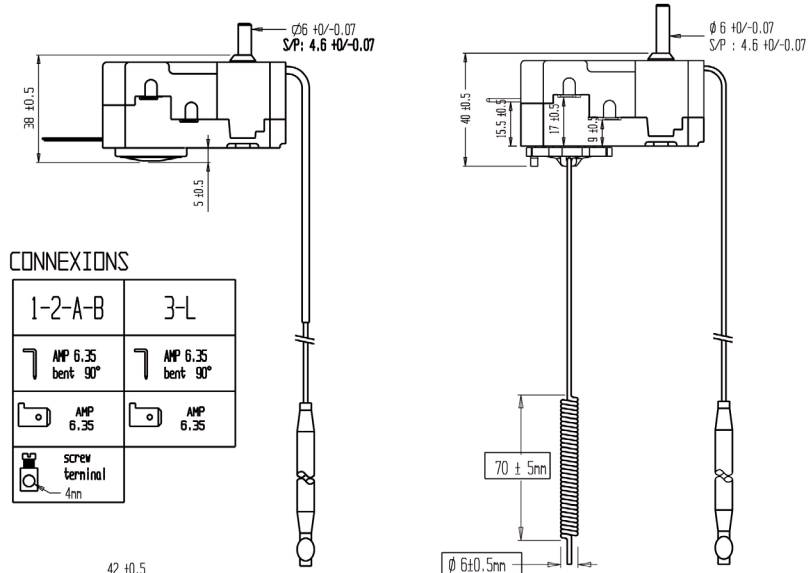
Safety limiter with bimetal: a snap action bimetal opens electrical contacts with an abnormal increase in temperature.



cottherm
DEGREES OF EXCELLENCE

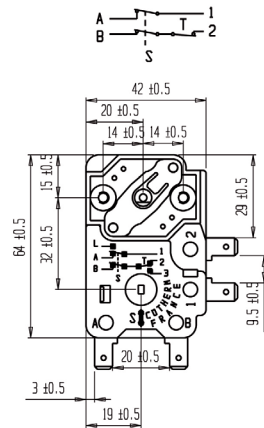
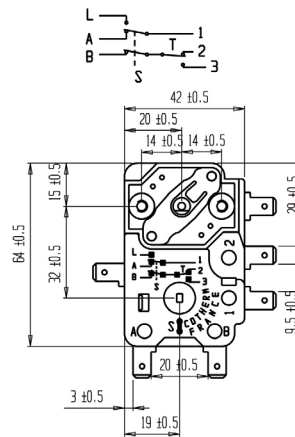
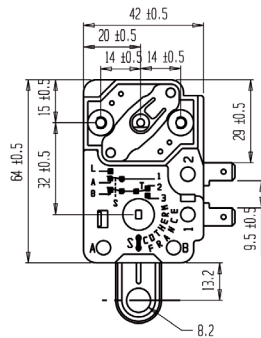
WWW.COTHERM.COM

TECHNICAL CHARACTERISTICS



CONNECTIONS

1-2-A-B	3-L
AMP 6,35 bent 90°	AMP 6,35 bent 90°
AMP 6,35	AMP 6,35
screw terminal 4mm	



	BBS C	BBS C3	BBS B
Type	Single pole single throw (SPST) control with double pole capillary safety limiter	Single pole double throw (SPDT) control with double pole capillary safety limiter	Single pole single throw (SPST) control with double pole bimetal safety limiter
Temperature range	-35 to 120°C / -31 to 248°F		
Differential	Approx 5% of the temperature range		
Safety limiter temperature	Fixed 70 - 125°C / 158 - 257°F		
Rating	20A - 240V / 16A - 400V		
Material	Bulb and capillary in copper or nickel-plated copper		
Capillary length	150 to 2500 mm / 6 to 98"		
Sensing element diameters	4, 5, 6, 6.5 and 8 mm / 5/32, 3/16, 1/4, and 5/16"		
Safety limiter capillary	Spiralled or single / double / triple bent capillary		
Maximum head temperature	100°C / 212°F		
Connections	Brass or nickel plated fastons, screw or pillar terminals		
Approvals	CE conformity, ENEC MARK according to EN-60730-1, EN 67130-2-9, ROHS conformity		

Weight: approx. 150g