

SBS/SBL

Capillary limiter

ENERGY SAVINGS - SAFETY - RENEWABLE ENERGY - HYBRID TECHNOLOGY - ENVIRONMENT - COMFORT - PLUG&PLAY - PERFORMANCE
RENEWABLE ENERGY - HYBRID TECHNOLOGY - ENVIRONMENT - COMFORT - PLUG&PLAY - PERFORMANCE - WATER HEATER - ERP

2-pole safety limiter with manual reset

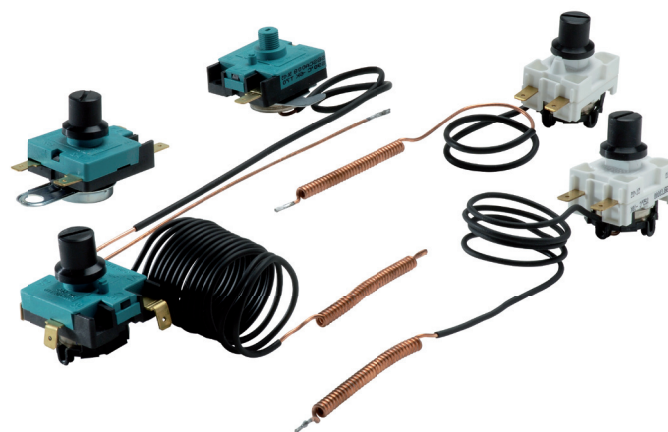
FEATURES

- Fast reaction time
- Choice of configurations for function (SBS) and cost optimization (SBL)
- Optimized reading of temperature in immersion applications
- Non self resetting limiter
- Guarantee of safety operation: fail-safe capillary
- Factory pre-set fixed temperature
- Possibility for changeover contact on double pole version
- Available in single pole version with automatic reset

OPERATION

Capillary: the liquid within the capillary is transformed to vapour with an abnormal increase in temperature. The increase in volume acts on a mechanism to open electrical contacts. The limiter is manually resettable. In case of damage to the capillary the fail-safe limiter operates automatically.

Bimetal: a snap action bimetal opens electrical contacts with an abnormal increase in temperature.



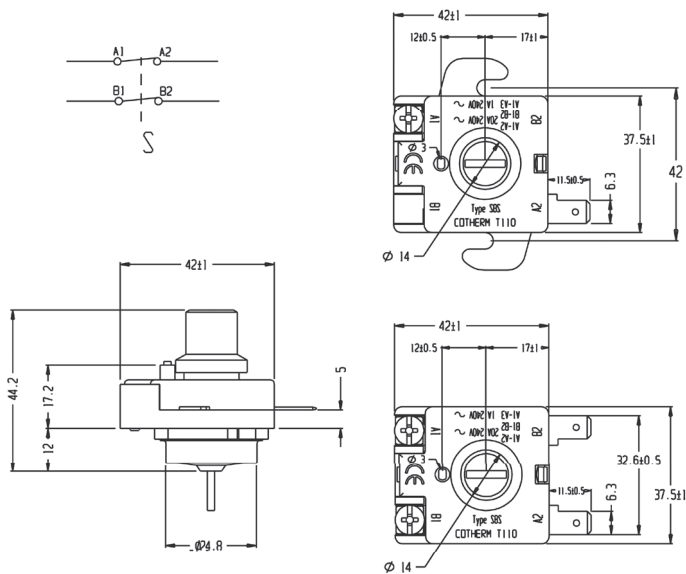
cotherm
DEGREES OF EXCELLENCE

WWW.COTHERM.COM

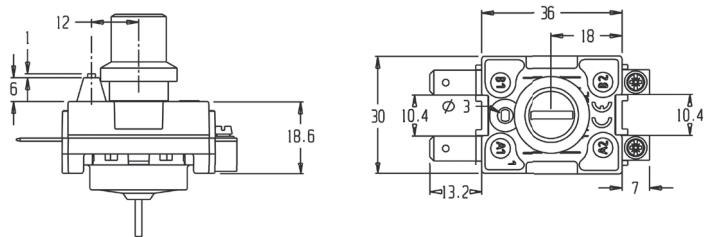
SBS/SBL

TECHNICAL CHARACTERISTICS

SBS



SBL



	SBSC	SBSC3	SBSCA	SBSB	SBLC
Type	Single or double pole single throw (SPST or DPST) capillary limiter with manual reset	Double pole double throw (DPDT) capillary limiter with changeover contact and manual reset	Single pole single throw (SPST) capillary safety limiter with automatic reset	Double pole single throw (DPST) bimetal limiter with manual reset	Double pole single throw (DPST) capillary limiter with manual reset
Safety limiter temperature	Fixed 70°C to 125°C / 158 to 257°F				
Rating	20A - 240V				
Material	Copper or nickel plated copper				
Capillary length	150 to 3000 mm / 6 to 118"				
Safety limiter capillary	Spiralled or single / double / triple bent				
Maximum head temperature	110°C / 230°F				
Connections	Brass faston or pillar terminals				
Approvals	CE conformity, ENEC MARK according to EN-60730-1, EN 67130-2-9, ROHS conformity				

Weight: SBS approx. 70g - SBL approx. 35g