

s21 modular tree planter



Above, s21 modular tree planter in grey with integrated lighting. **Right,** s21 planter in gloss black beside s96w asym bench.



description

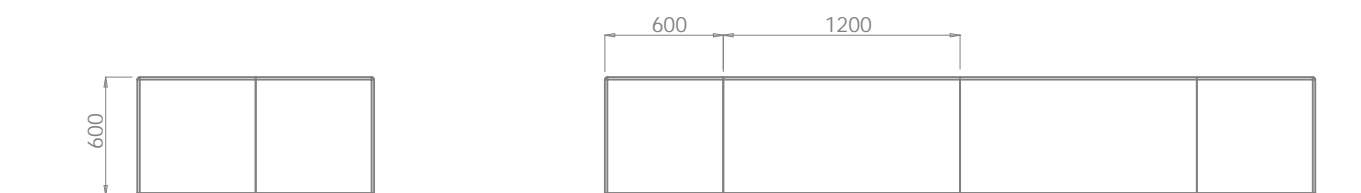
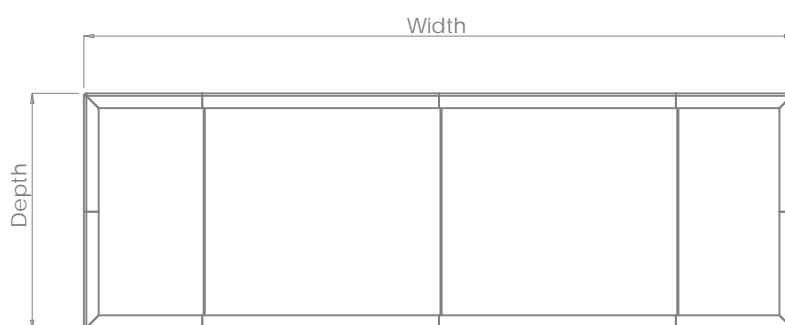
Modular planter in aluminium with powder coated finish. Planter is constructed on site by bolting panels together. Available with or without base panel.

dimension

Width 1200mm upwards in increments of 600mm, depth 1200mm upwards in increments of 600mm, height 600mm.

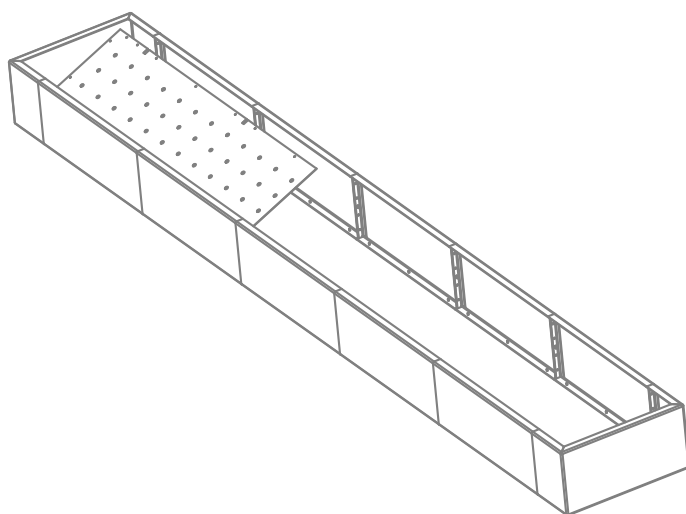
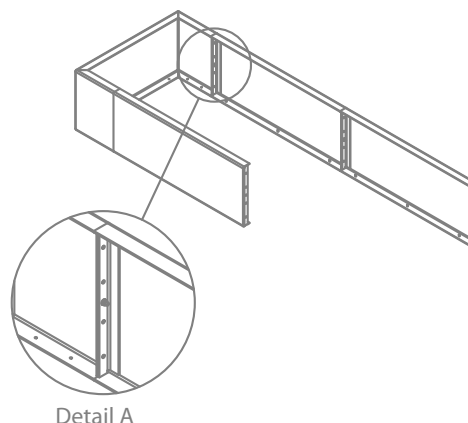
options

Custom sizes available.
Bolt on cantilever seat option.
Choice of colours.



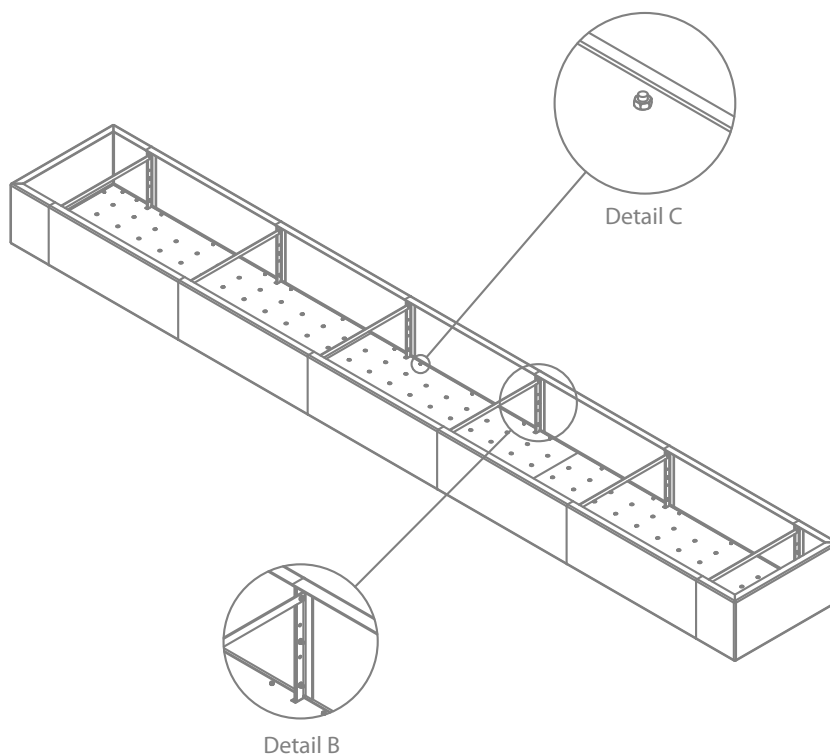
s21 Assembly Instructions

- 1 Determine the location for the planter and ensure the surface is flat.
- 2 One by one attach the panels to each other starting at one end. Bolt loosely with centre bolts only (M10 x 30 + washer either side + nut).



- 3 Insert the three base panels onto the projecting studs. Take care not to damage the studs.

- 4 Install the straps onto the top line of fixing holes and insert the remaining M10 bolts, washers and nuts to each of the joints.
- 5 Insert the M8 nuts with washers into the base and tighten.



Above, assembly instructions for s21 modular planter (8.4m x 1.2m x 0.6m)

s21 Care and Maintenance Guidelines

The s21 modular tree planter is constructed from powder coated aluminium panels which are bolted together on site. Some care is required to maintain the product's original appearance.

The extent to which maintenance is required will depend on a number of factors including environmental conditions, construction activity and level of use.

Maintaining the painted metal components

The s21 tree planter is finished in polyester powder, a plastic coating which is baked onto the components prior to assembly. This is a highly durable finish which will last for many years. To maintain the original appearance of the metalwork it should be cleaned regularly using warm soapy water.

Avoid the use of abrasive cleaners as they may damage the surface finish. Should the paint become chipped or scratched it can be touched up using acrylic based paint. For further advice contact Omos on + 353 [0]45 899802.



Above, s21 modular tree planter.