

TREBLE R FABRICATIONS

UNIT 42 – CROSSGATE ROAD – PARK FARM INDUSTRIAL ESTATE – REDDITCH – WORCS – B987SN

tel 01527 503 303 – fax 01527 503 325 – web www.treblefabrications.co.uk

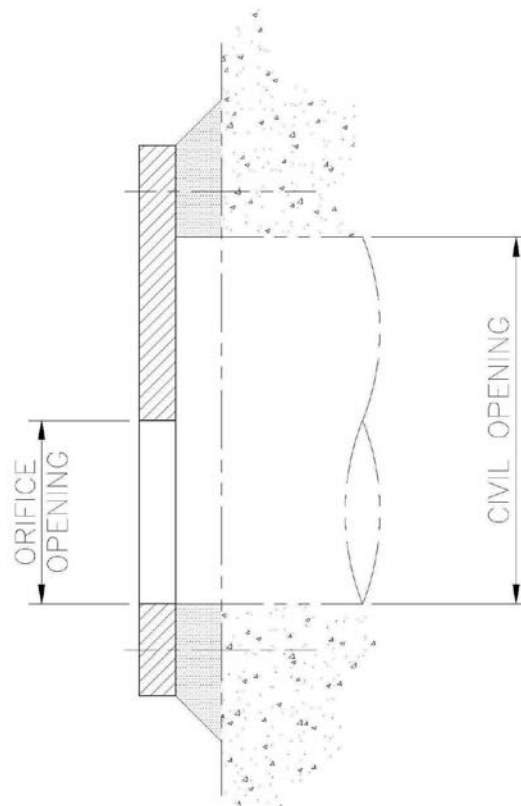
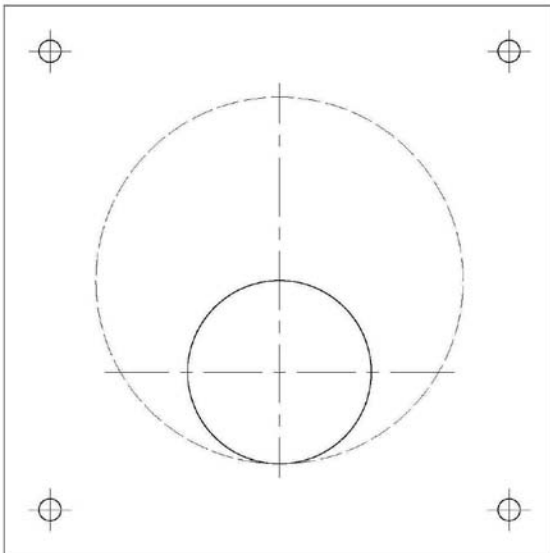
ORIFICE PLATES

Where outlets or inlets are located the requirement to restrict flow for monitoring purposes sometimes is needed.

A simple plate drilled over the pipe with a less diameter hole is the simple solution.

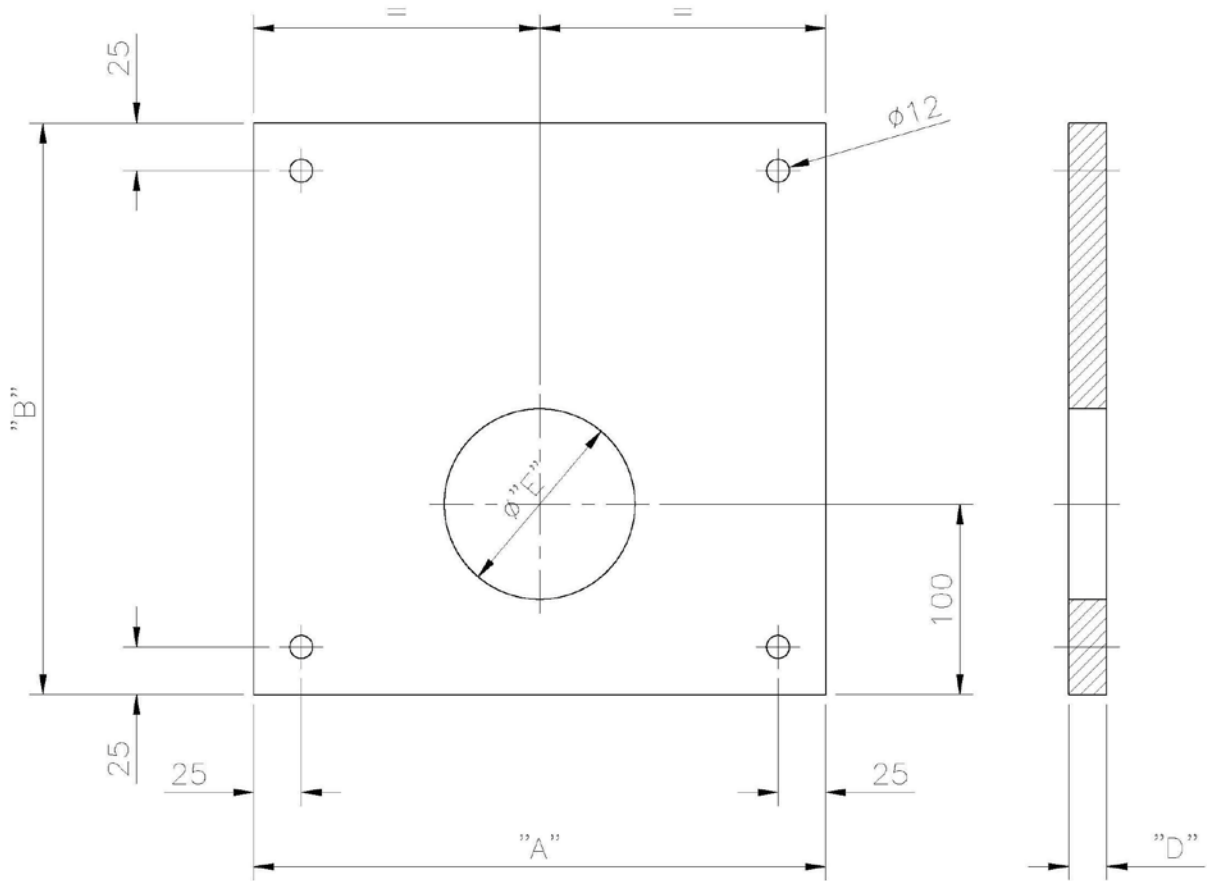
The overall shape of Orifice plates are square and can be manufactured from HDPE, Galvanised Mild Steel, painted Mild Steel, 304 Stainless Steel.

The thickness of Plate, and central Orifice size varies subject to the clients requirements.



ORIFICE PLATES

Orifice Plate Arrangement



Construction Materials
UPVC
HDPE
RPC
Mild Steel
Galvanized Mild Steel
Painted Mild Steel
304ss
316ss

Dimensions	
A	
B	
C	
D	
E	

Should client require an alternative hole diameter and position, this is available on request.