

# Silver line





Silver  
line

## CONTENT

Our philosophy

Our competences

BM 3000

Operations

Software

Technical specifications

Contact



## Our Philosophy

The Werkhuisen Landuyt were founded in 1972 by Robert Landuyt. He also gave his name to the products being sold under the name Robland. From the very beginning the company has had a unique vision on the development of woodworking machines. This vision formed the identity of our brand. All products are made and assembled completely in house: from basic to the most complex machines. The result is a strong control over the quality and high degree of flexibility.

Robland is now recognised throughout the world as a quality manufacturer of professional classic woodworking machines. Our goal is to offer strong, robust and performing machines at the best quality-price ratio on the market.



## Our competences

### **After sales**

A quality service and after sales support is key to Roblands success. Although our machines will last for years, this is not enough for us. We want the Robland products to continue working flawlessly for years. That is why we manufacturer all machine parts ourselves, so you can rely on spare parts always being readily available.

### **Robland: fully integrated production with state of the art production facility**

Machines are our passion. Therefore we are very proud of our factory which has a modern, efficiënt and safe machine park. And because we make all our parts in-house, nobody can beat us regarding price-quality ratio.

Robland Sales Team at Ligna



## BM 3000

The new Robland CNC- drilling machine for making slots, drilling hinges and other jointing techniques.



# Operations

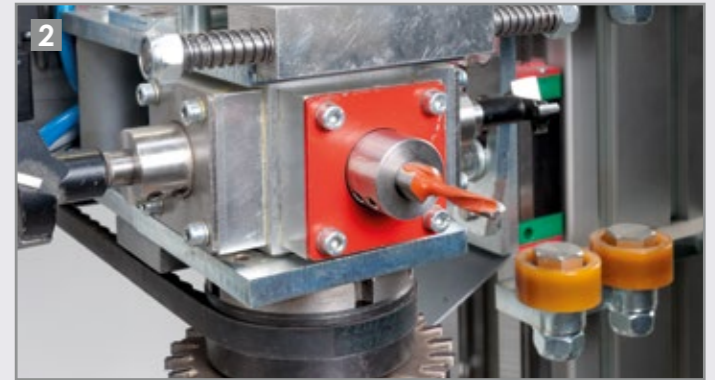


The machine can be equipped afterwards with other tools by choice.

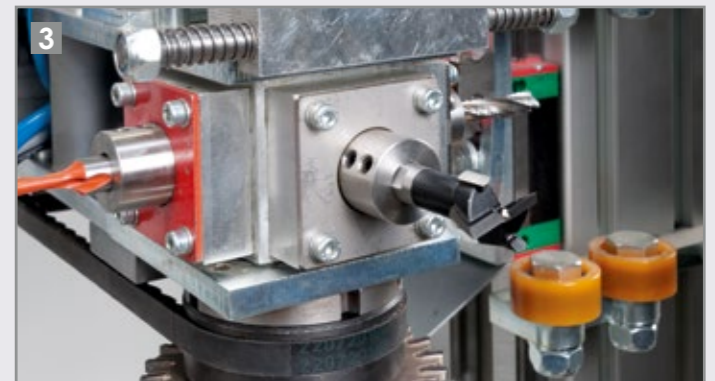
The machine is standard equipped with following tools:



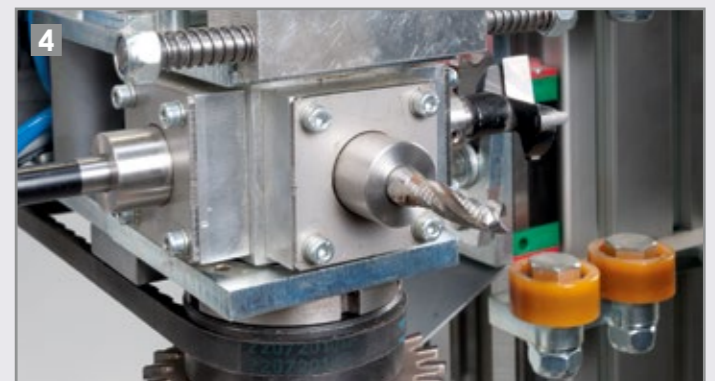
Saw aggregate for slot making



Left 5 mm bit for drilling



20 mm bit for minifix-system



8 mm spindle for drill and limited milling applications



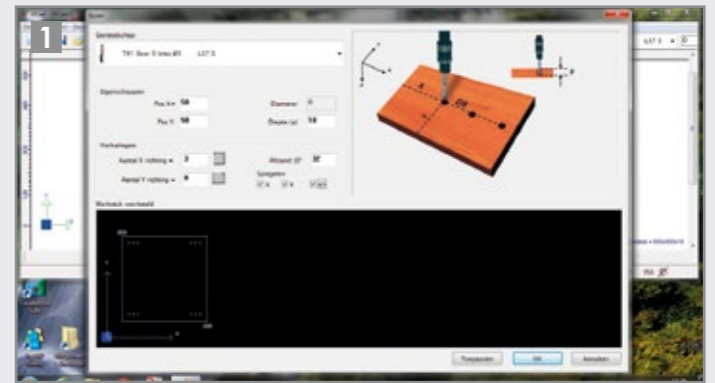
35 mm bit for hinges

# SOFTWARE

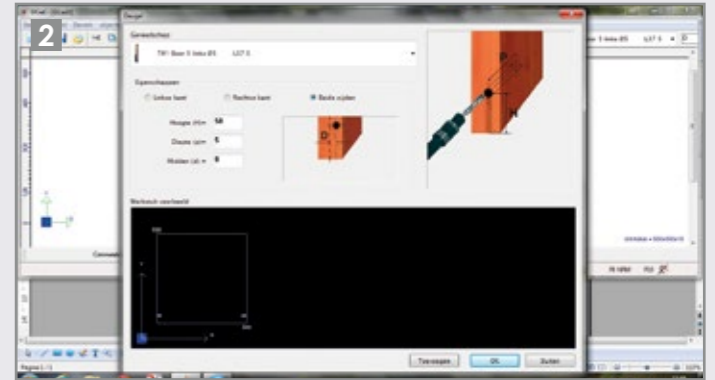


The user-friendly CAD-CAM software includes hinges drilling, side drilling, making slots... The programming is being done parametrically with the possibility to make a library.

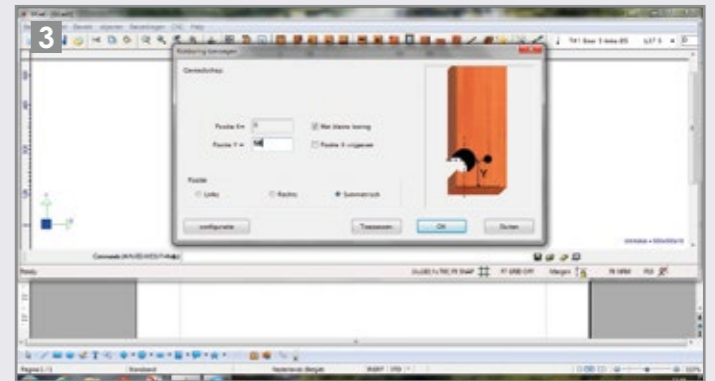
Drilling



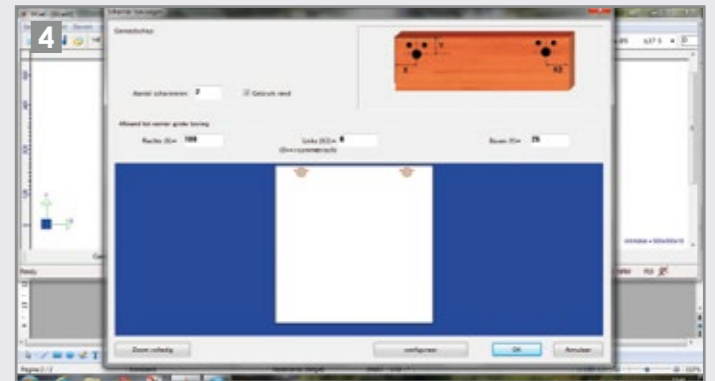
Dowels



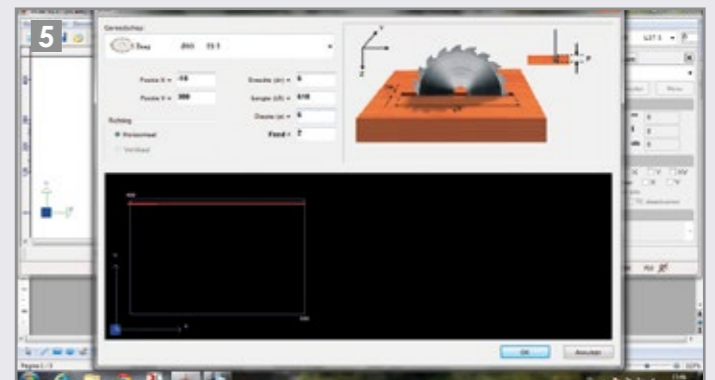
Minifix



Hinges



Slots



# Technical specifications

## CNC-drilling machine

Work reach

Y axis reach/stroke

Drilling: 920 mm

Grooving with sawblade: 850 mm

X axis is supported 3000 mm

Z axis plate thickness from 12 mm up to 30 mm

A axis 360°

Movement speed: 20m/min

Min. dimensions workpiece (X) 300x (Y) x 120 x (Z) 12 mm

The machine is equipped with a bore head with 4 chucks and integrated sawblade.

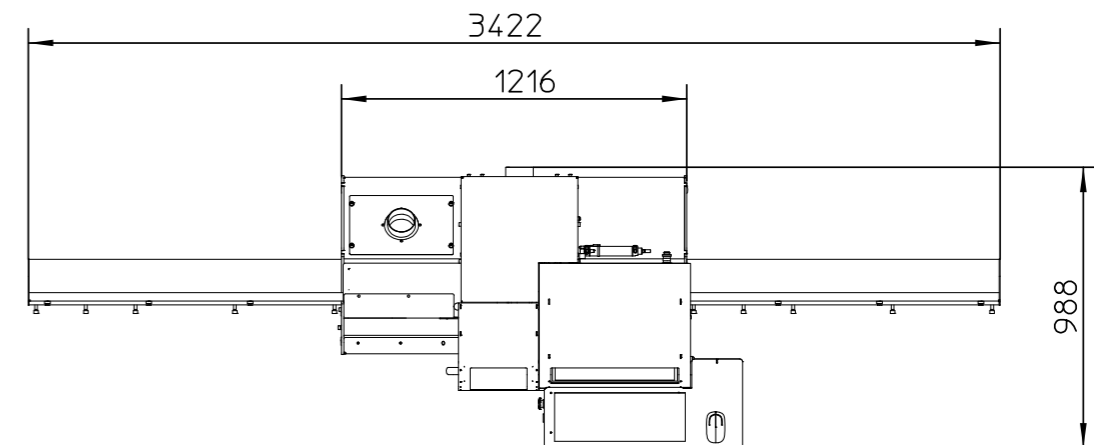
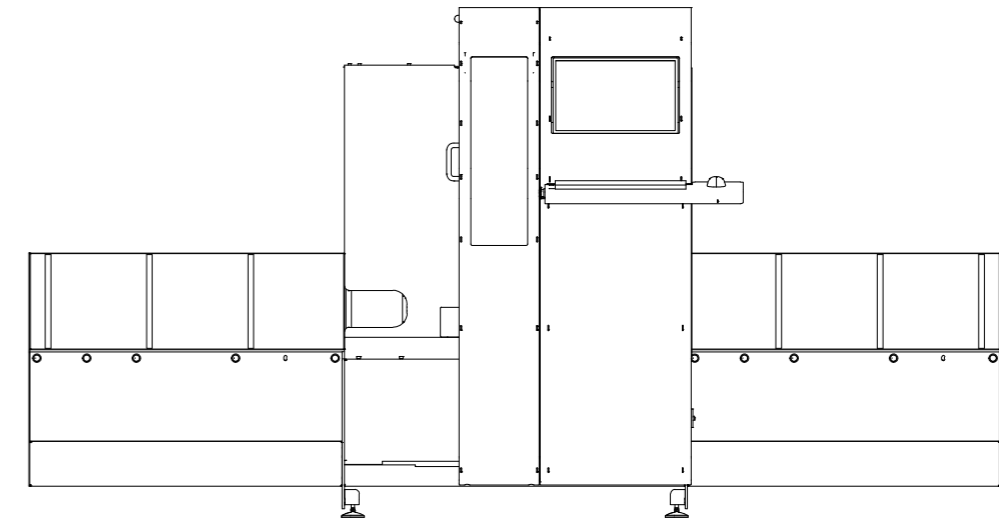
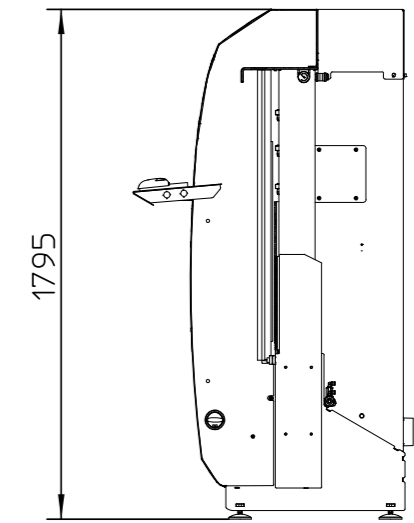
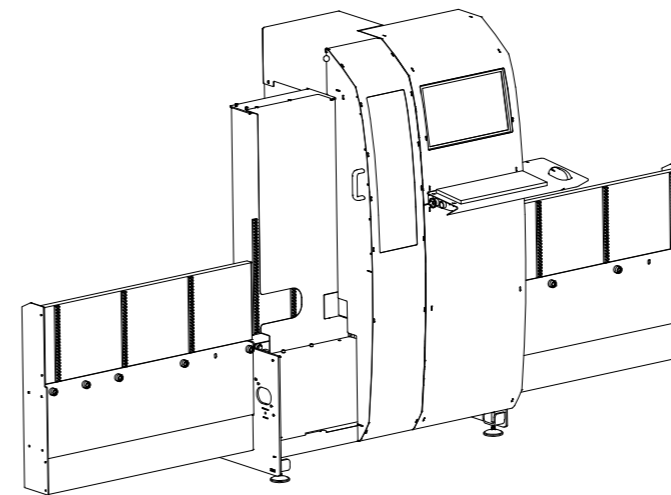
Max/min diameter bore heads 3 mm – 35 mm

Saw blade operates in the X-axis

Max. Depth saw blade grooving: 10 mm

Motor 1 HP 3\*380 V / 3\*220 V

Minimal required dust extractor capacity 2300 m<sup>3</sup>/h







**Robland BVBA**  
Kolvestraat 44  
BE-8000 Brugge  
**T** +32 50 458 925  
**F** +32 50 458 927  
[www.robland.com](http://www.robland.com)



Follow us on facebook  
[www.facebook.com/Roblandmachines](https://www.facebook.com/Roblandmachines)