



The ATEX approved JCE EJB60 Flameproof (EExd) enclosure is intended for use in areas made potentially hazardous by the presence of flammable liquids, gases, vapours and dusts (Zones 1, 2, 21 and 22). Certified for Groups IIA and IIB locations.

Its function is to house a wide range of electrical equipment and devices including terminals, relays, contactors. Can be custom built to exact specification.

### Materials and Finish

Body & Cover	Aluminium alloy EN AC-42000 (LM25) to BS EN 1706:1998 with less than 0.2% copper content.
Cover Bolts	Stainless steel (18/8)
Mounting Plate	Aluminium
Finish	Natural. A corrosion resistant finish is also available, see options

### Earthing

All enclosures are supplied with a 8mm stainless steel (18/8) internal and external earth stud as standard.

### Entries and Thread Standards

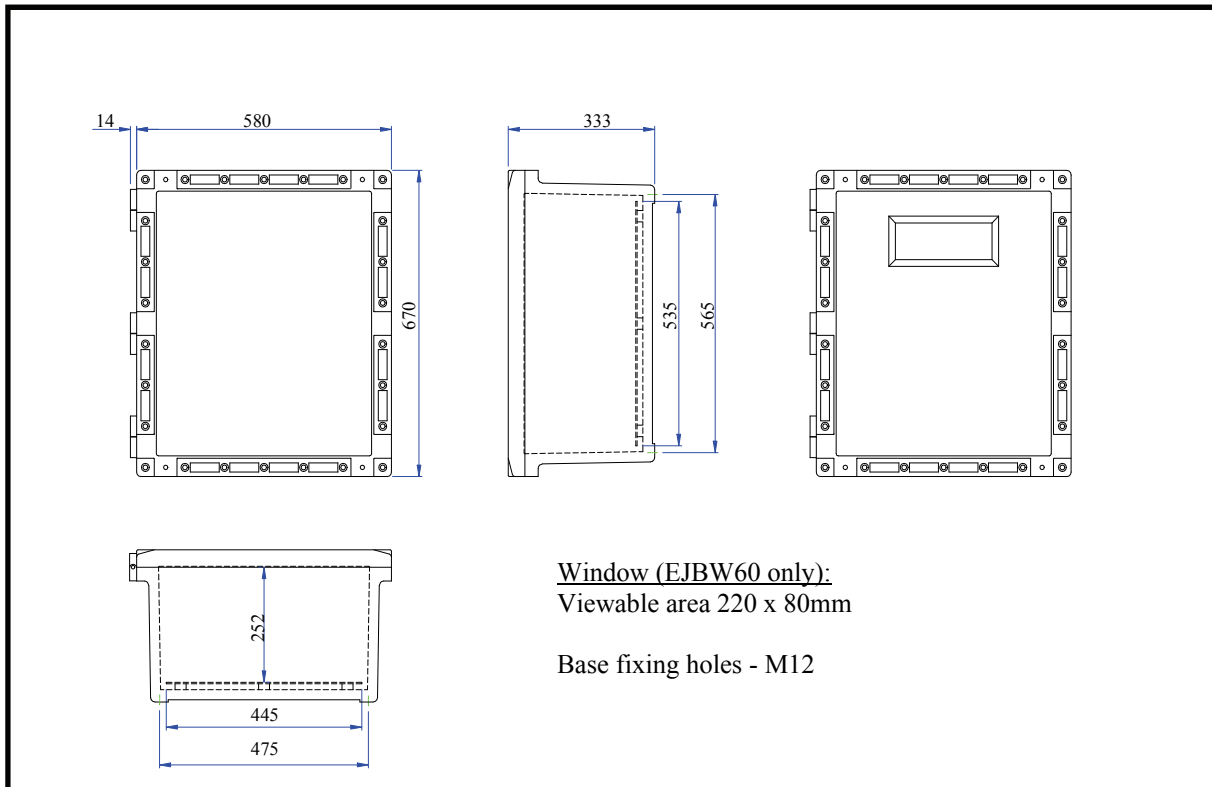
Each side of an enclosure will accommodate a varying number of tapped entries. Please provide a sketch indicating enclosure required with size and location of each entry.

Standard thread forms available are ISO Metric M20-M90 and 1/2" - 3" NPT.

### Protection Grade

Lids incorporate a gasket providing Ingress Protection to IP66. Application of a non hardening grease to flamepaths and entries is recommended.

## Dimensions



EJB60	Entry Diameter and								
	maximum number permitted per side								
EJBW60	ISO	M20	M25	M32	M40	M50	M63	M75	M90
	NPT	1/2"	3/4"	1"	1 1/4"	1 1/2"	2"	2 1/2"	3"
Long Side		48	30	24	14	12	10	4	4
Short Side		40	24	21	10	10	8	4	3
Cover									
EJB60		42	42	-	-	-	-	-	-
EJBW60		24	24	-	-	-	-	-	-
Weight	96kg								

## Options

Chromate primed and polyester powder coated for added protection against corrosion - available on request.

## Certification

Cert. No. ISSeP02ATEX045

- Specify cable entry and thread form on ordering.
- Details of certification and conformity can be provided on request.
- All products sold subject to our terms and conditions of business.
- Health and Safety at Work Act 1974. In the UK all equipment must be installed and disposed of (as required) within the legislative requirements of the Health & Safety at Work Act 1974.



**JCE (Europe) Ltd.**, East Way, Lee Mill Industrial Estate, Ivybridge, Devon, PL21 9LL, England Tel: +44 (0) 1752 690530 Fax: +44 (0) 1752 690531 E-Mail: [info.euro@jcegroup.com](mailto:info.euro@jcegroup.com)

**JCE (Aberdeen) Ltd.**, Blackburn Business Park, Aberdeen AB21 9LL, Scotland Tel: +44(0) 1224 798600 Fax: +44 (0) 1224 798601 E-Mail: [info.abdn@jcegroup.com](mailto:info.abdn@jcegroup.com)

**JCE (Asia Pacific) Pte Ltd.**, 51 Bukit Batok Crescent, 05-04 Unity Centre, Singapore 658077. Tel: +65 6316 2604 Fax: +65 6316 2609 E-Mail: [info.asia@jcegroup.com](mailto:info.asia@jcegroup.com)