

The JCE EMH29 Flameproof (EExd) instrument enclosure is intended for use in areas made potentially hazardous by the presence of flammable liquids, gases, vapours and dusts (Zone 1, 2, 21 & 22). Certified for Group IIC locations

These instrument housings are used to enclose equipment and devices suitable for the transmission or reception of information, such as Ammeters, Voltmeters, Ultra Violet Transmitters/Receivers, Infra-Red Transmitters/Receivers.

### Materials and Finish

Body & Cover Aluminium alloy EN AC-42000 (LM25) to BS EN 1706:1998 with less than 0.2% copper content.

Also available in Stainless Steel 316 to BS3146 (1975):Pt2:ANC4BFC

Window Soda lime as standard, Quartz and Sapphire available

Locking Screw Stainless steel (18/8)

Finish Natural. A corrosion resistant finish is also available, see options

### Earthing

All enclosures are supplied with a 6mm stainless steel (18/8) internal and external earth stud as standard.

### Entries and Thread Standards

The EMH29 can be supplied with up to 3 x M20 entries, a maximum of 2 x M20/1/2" NPT or 1 x M25/3/4" NPT on the bottom and one entry up to M25/3/4" NPT on top.

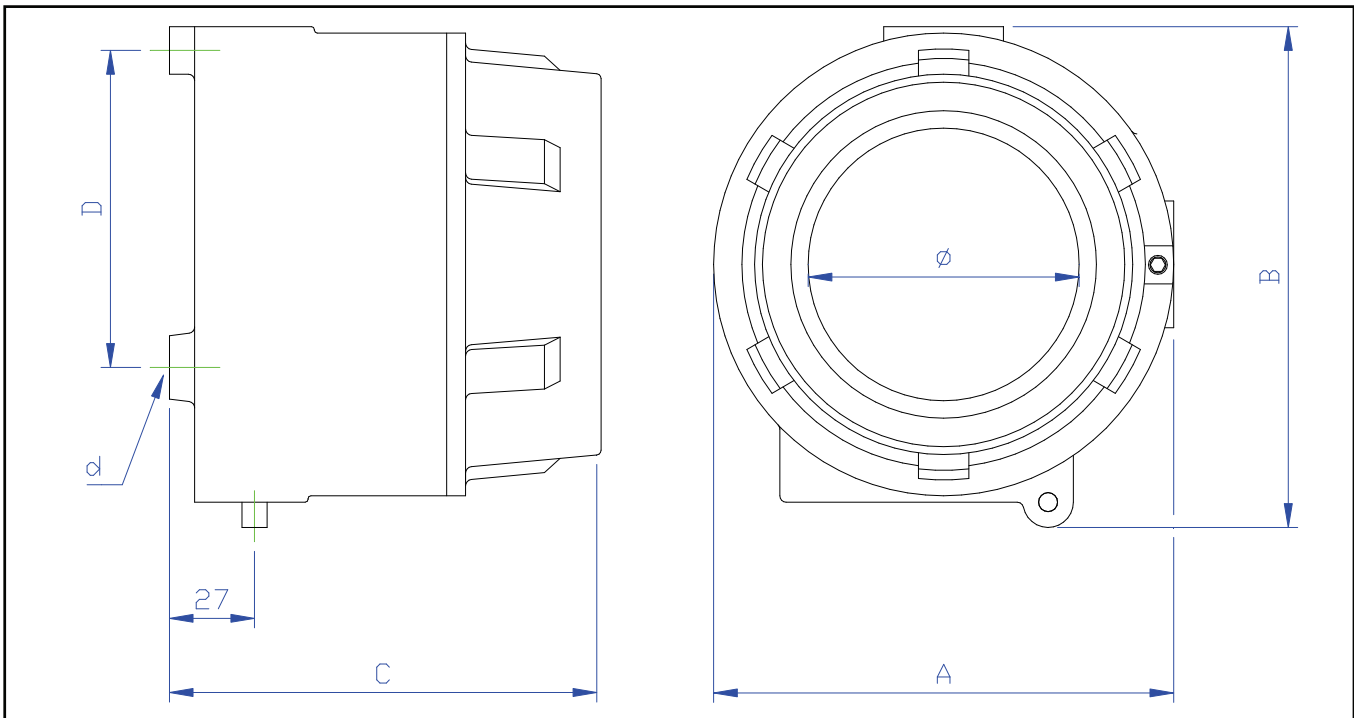
### Protection Grade

When fitted with a gasket - IP66

Without gasket - IP54

Application of a non hardening grease to flamepaths and entries is recommended.

## Dimensions



Cat. No	A	B	C	D	d	Window	Wt
EMH 29	146	154	137	100	M6	86 Ø	2kg

## Options

IP66 - available on request.

Chromate primed and polyester powder coated for added protection against corrosion - available on request.

Stainless Steel version available Electro-polished

## Certification

Cert. No. ISSeP03ATEX012X

EExd IIC T6

- Specify cable entry and thread form on ordering.
- Details of certification and conformity can be provided on request.
- All products sold subject to our terms and conditions of business.
- Health and Safety at Work Act 1974. In the UK all equipment must be installed and disposed of (as required) within the legislative requirements of the Health & Safety at Work Act 1974.



**JCE (Europe) Ltd.**, East Way, Lee Mill Industrial Estate, Ivybridge, Devon, PL21 9LL, England Tel: +44 (0) 1752 690530 Fax: +44 (0) 1752 690531 E-Mail: [info.euro@jcegroup.com](mailto:info.euro@jcegroup.com)

**JCE (Aberdeen) Ltd.**, Blackburn Business Park, Aberdeen, AB21 0PS Tel: +44 (0) 1224 798600 Fax: +44 (0) 1224 798601 E-Mail: [info.abdn@jcegroup.com](mailto:info.abdn@jcegroup.com)

**JCE (Asia Pacific) Pte Ltd.**, 51 Bukit Batok Crescent, 05-04 Unity Centre, Singapore 658077. Tel: +65 6316 2604 Fax: +65 6316 2609 E-Mail: [info.asia@jcegroup.com](mailto:info.asia@jcegroup.com)