



The JCE range of GUB Flameproof (EExd) enclosures are intended for use in areas made potentially hazardous by the presence of flammable liquids, gases, vapours and dusts (Zones 1, 2, 21 and Zone 22). Certified for Group IIC locations.

Their function is to house a wide range of electrical equipment and devices including terminals, relays, contactors, and/or instruments and can be custom built to exact specification.

Materials and Finish

Body & Cover	Aluminium alloy EN AC-42000 (LM25) to BS EN 1706:1998 with less than 0.2% copper content
Mounting Plate	Mild steel zinc plated (passivated)
Locking Screw	Stainless steel (18/8)
Finish	Natural. A corrosion resistant finish is also available, see options

Earthing

All enclosures are supplied with a 6mm stainless steel (18/8) internal and external earth stud as standard. Larger internal earths can be fitted on request.

Entries and Thread Standards

Each side of an enclosure will accommodate a varying number of tapped entries. Please provide a sketch indicating enclosure required with size and location of each entry.

Standard thread forms available are ISO Metric M20-M90 and 1/2" - 3" NPT.

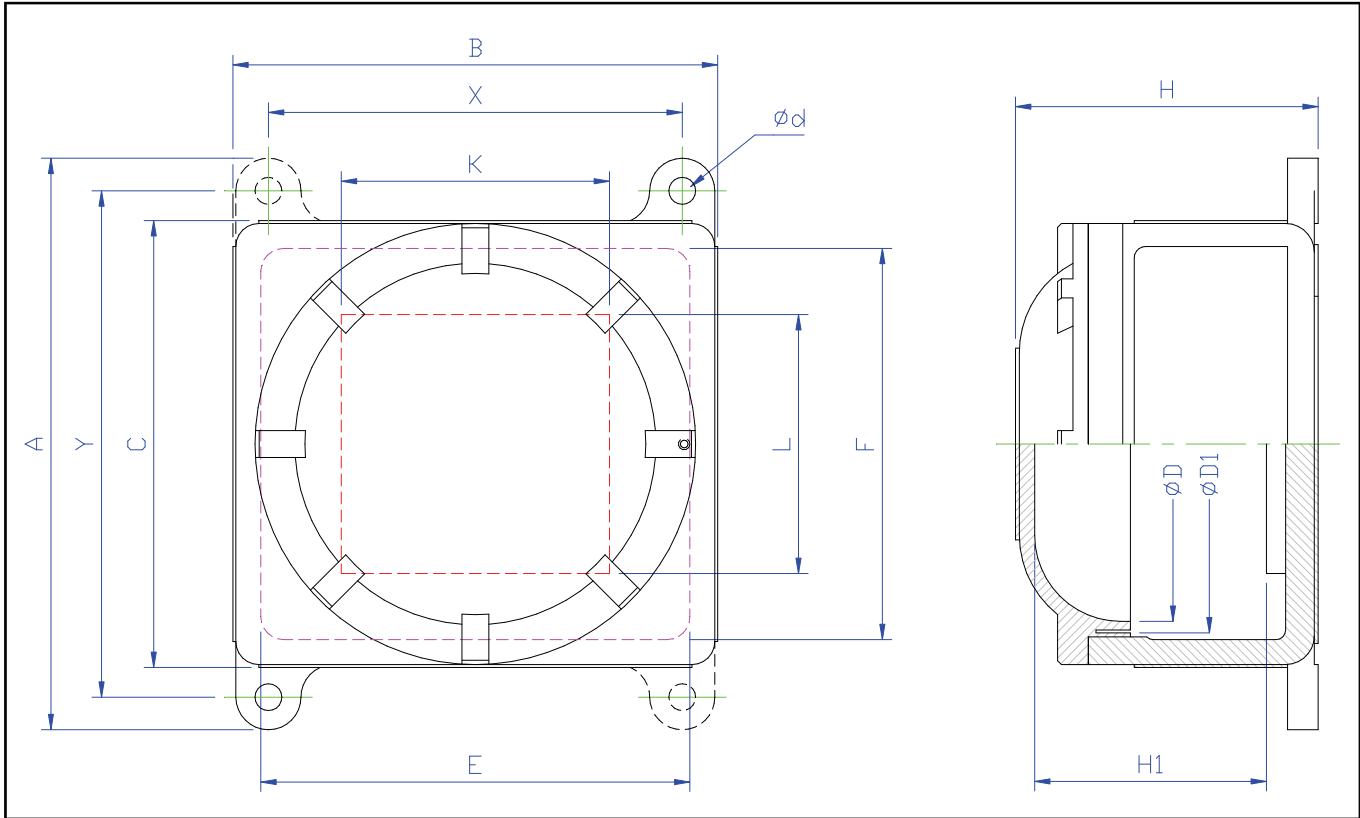
Protection Grade

When fitted with a gasket - IP66

Without gasket - IP54

Application of a non hardening grease to flamepaths and entries is recommended.

Dimensions



Enclosure Cat No	Overall Dimensions				Internal Dimensions					Mounting			No. Lugs	Mtg. Plate		Wt Kg
	A	B	C	H	ØD	ØD1	E	F	H1	X	Y	Ød		K	L	
GUB1	165	125	125	120	80	92	96	96	76	100	145	8.5	2	60	65	1.86
GUB2	202	155	155	134	115	126	126	126	90	126	178	10	2	70	85	3.05
GUB3	220	176	176	135	130	142	146	146	88	145	200	10	2	100	105	4.35
GUB4	298	253	233	156	185	197	224	204	119	216	264	14	2	140	135	7.90
GUB5	353	310	285	223	220	240	280	256	176	270	318	14	4	175	160	13.25

Options

IP66 - available on request.

Chromate primed and polyester powder coated for added protection against corrosion - available on request.

Certification

Terminal enclosures - ISSeP03ATEX025

Control enclosures - ISSeP03ATEX005

EExd IIC T6

- Specify cable entry and thread form on ordering.
- Details of certification and conformity can be provided on request.
- All products sold subject to our terms and conditions of business.
- Health and Safety at Work Act 1974. In the UK all equipment must be installed and disposed of (as required) within the legislative requirements of the Health & Safety at Work Act 1974.



JCE (Europe) Ltd., East Way, Lee Mill Industrial Estate, Ivybridge, Devon, PL21 9LL, England Tel: +44 (0) 1752 690530 Fax +44 (0) 1752 690531 E-Mail: info.euro@jcegroup.com

JCE (Aberdeen) Ltd., Blackburn Business Park, Aberdeen, AB21 0PS Tel: +44 (0) 1224 798600 Fax: +44 (0) 1224 798601 E-Mail: info.abdn@jcegroup.com

JCE (Asia Pacific) Pte Ltd., 51 Bukit Batok Crescent, 05-04 Unity Centre, Singapore 658077. Tel.: +65 6316 2604 Fax: +65 6316 2609 E-Mail: info.asia@jcegroup.com