

The JCE range of GUBH Flameproof (EExd) instrument enclosures are intended for use in areas made potentially hazardous by the presence of flammable liquids, gases, vapours and dusts (Zones 1, 2, 21 and Zone 22). Certified for Group IIC locations.

Their function is to house a wide range of electrical equipment and devices including terminals, relays, contactors,

### Materials and Finish

Body & Cover	Aluminium alloy EN AC-42000 (LM25) to BS EN 1706:1998 with less than 0.2% copper content
Mounting Plate	Mild steel zinc plated (passivated)
Locking Screw	Stainless steel (18/8)
Window	Heat resistant toughened glass
Finish	Natural. A corrosion resistant finish is also available, see options

### Earthing

All enclosures are supplied with a 6mm stainless steel (18/8) internal and external earth stud as standard. Larger internal earths can be fitted on request.

### Entries and Thread Standards

Each side of an enclosure will accommodate a varying number of tapped entries. Please provide a sketch indicating enclosure required with size and location of each entry.

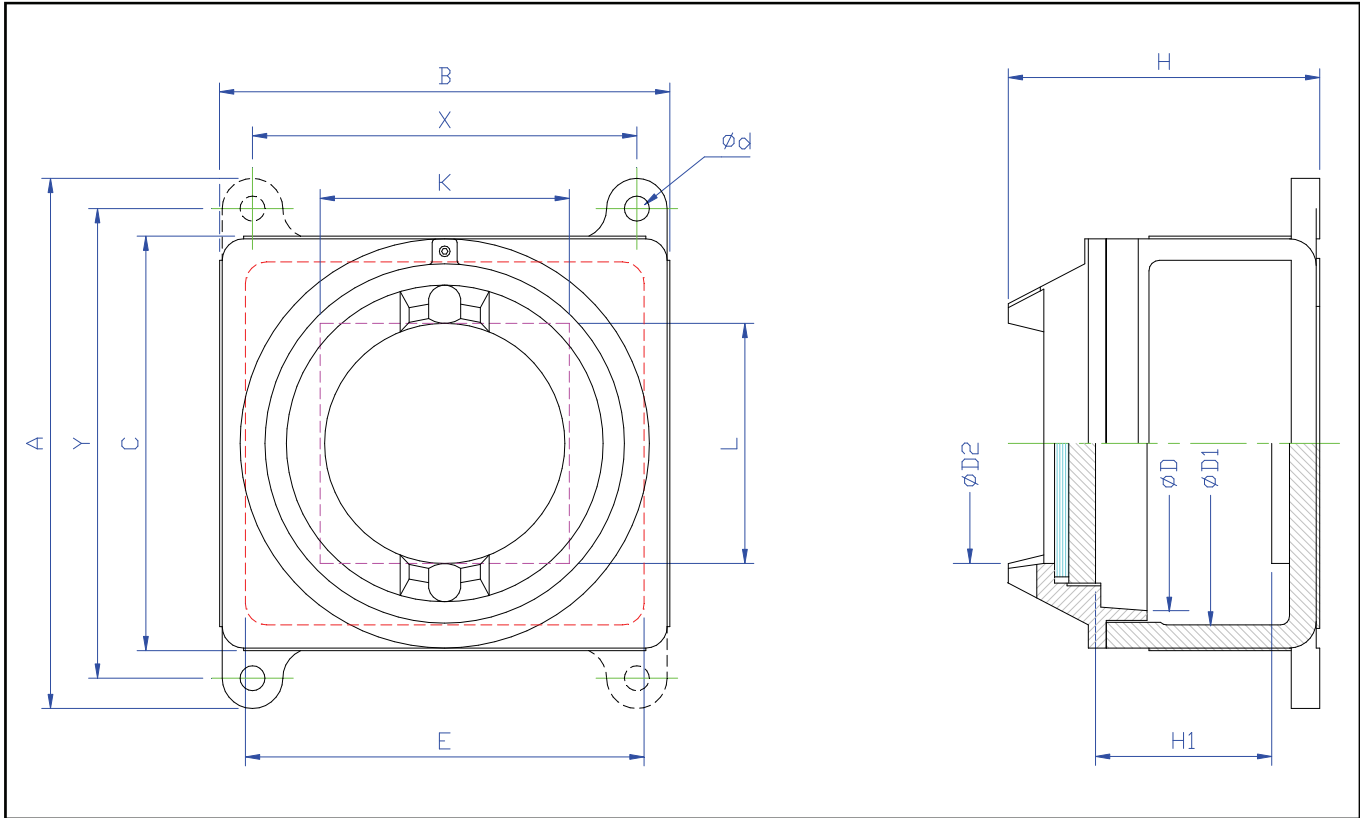
Standard thread forms available are ISO Metric M20-M90 and 1/2" - 3" NPT.

### Protection Grade

When fitted with a gasket - IP66  
Without gasket - IP54

Application of a non hardening grease to flamepaths and entries is recommended.

## Dimensions



Enclosure Cat No	Overall Dimensions				Internal Dimensions						Mounting			No. Lugs	Mtg. Plate		Wt Kg
	A	B	C	H	ØD2	ØD	ØD1	E	F	H1	X	Y	Ød		K	L	
GUBH1	165	125	125	110	60	79	92	96	96	59	100	145	8.5	2	60	65	1.86
GUBH3	220	176	176	130	86	135	142	146	146	70	145	200	10	2	100	105	4.35
GUBH4	298	253	233	175	135	185	197	224	204	93	216	264	14	2	140	135	7.90
GUBH5	353	310	285	240	180	220	240	280	256	150	270	318	14	4	175	160	13.25

## Options

IP66 - available on request.

Chromate primed and polyester powder coated for added protection against corrosion - available on request.

## Certification

ISSeP Cert. No. - ISSeP03ATEX005

EExd IIC T6

- Specify cable entry and thread form on ordering.
- Details of certification and conformity can be provided on request.
- All products sold subject to our terms and conditions of business.
- Health and Safety at Work Act 1974. In the UK all equipment must be installed and disposed of (as required) within the legislative requirements of the Health & Safety at Work Act 1974.



**JCE (Europe) Ltd.**, East Way, Lee Mill Industrial Estate, Ivybridge, Devon,  
PL21 9LL, England Tel: +44 (0) 1752 690530 Fax +44 (0) 1752 690531  
E-Mail: info.euro@jcegroup.com

**JCE (Aberdeen) Ltd.**, Blackburn Business Park, Aberdeen, AB21 0PS  
Tel: +44 (0) 1224 798600 Fax: +44 (0) 1224 798601  
E-Mail: info.abdn@jcegroup.com

**JCE (Asia Pacific) Pte Ltd.**, 51 Bukit Batok Crescent, 05-04 Unity Centre,  
Singapore 658077. Tel: +65 6316 2604 Fax: +65 6316 2609  
E-Mail: info.asia@jcegroup.com