

The JCE GUFX2 Flameproof (EExd) instrument enclosure is intended for use in areas made potentially hazardous by the presence of flammable liquids, gases, vapours and dusts (Zones 1, 2, 21 and Zone 22). Certified for Group IIC locations

This small enclosure can be supplied with a 4 or 6 way terminal block and can be fitted with small printed circuit boards.

### Materials and Finish

Body & Cover	Aluminium alloy EN AC-42000 (LM25) to BS EN 1706:1998 with less than 0.2% copper content.
Locking Screw	Stainless steel (18/8)
Finish	Natural. A corrosion resistant finish is also available, see options

### Earthing

All enclosures are supplied with a 4mm stainless steel (18/8) internal and external earth stud as standard.

### Entries and Thread Standards

The GUFX2 is supplied with 4 entries, with a choice of M20, M25, 1/2" or 3/4" NPT. A combination of these sizes is permitted.

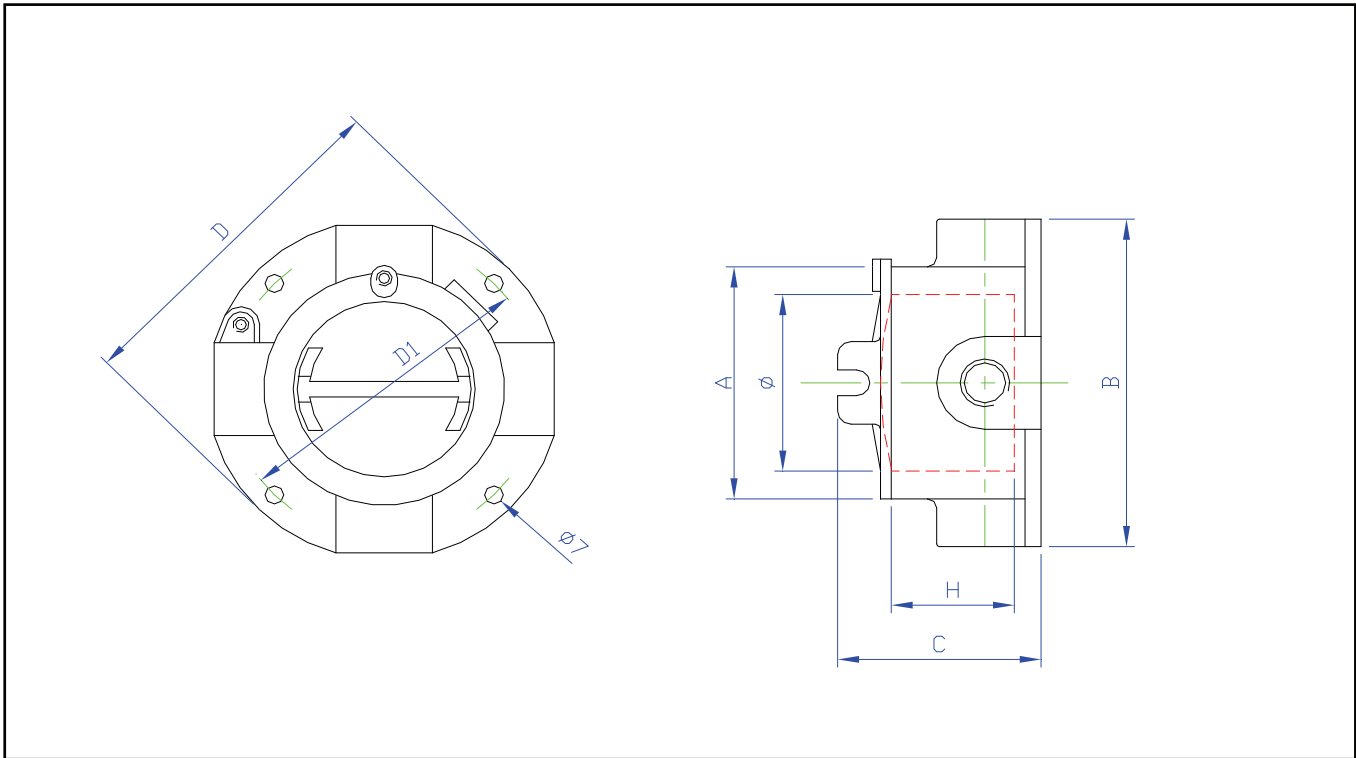
### Protection Grade

When fitted with a gasket - IP66

Without gasket - IP54

Application of a non hardening grease to flamepaths and entries is recommended.

## Dimensions



Cat. No	A	B	C	D	D1	H	Ø	Wt
GUFX 2	90	127	76	132	116	46	68.5	0.7kg

## Options

IP66 - available on request.

Chromate primed and polyester powder coated for added protection against corrosion - available on request.

## Certification

Cert. No. ISSeP03ATEX034

EExd IIC T6

- Specify cable entry and thread form on ordering.
- Details of certification and conformity can be provided on request.
- All products sold subject to our terms and conditions of business.
- Health and Safety at Work Act 1974. In the UK all equipment must be installed and disposed of (as required) within the legislative requirements of the Health & Safety at Work Act 1974.



**JCE (Europe) Ltd.**, East Way, Lee Mill Industrial Estate, Ivybridge, Devon, PL21 9LL, England Tel: +44 (0) 1752 690530 Fax: +44 (0) 1752 690531 E-Mail: info.euro@jcegroup.com

**JCE (Aberdeen) Ltd.**, Blackburn Business Park, Aberdeen, AB21 0PS Tel: +44 (0) 1224 798600 Fax: +44 (0) 1224 798601 E-Mail: info.abdn@jcegroup.com

**JCE (Asia Pacific) Pte Ltd.**, 51 Bukit Batok Crescent, 05-04 Unity Centre, Singapore 658077. Tel: +65 6316 2604 Fax: +65 6316 2609 E-Mail: info.asia@jcegroup.com