



Polyester Junction Boxes for Zones 1, 2, 21 & 22 - Technical Data

Material

JCE Ex Terminal Enclosures are manufactured from a high impact Glass Reinforced Polyester (GRP) which has excellent strength and corrosion properties. Standard enclosures are supplied in a self coloured black anti-static material.

Surface Resistance > 10⁹ Ohm
Flame Retardant IEC92.1, UL94V0
Impact Resistant > 2 x 7Nm

Lid Screws - Captive slotted or socket head - Stainless Steel 316

Lid Sealing - Captive Silicone Gasket

Ingress Protection - IP66

Ambient Temperature Range - -50°C to +65°C

Standards - EN 60079-0:2009 / IEC 60079-0:2007
EN 60079-7:2007 / IEC 60079-7:2006
EN 60079-31:2009 / IEC 60079-31:2008

Hazardous Area Approval

All these enclosures have been certified by Baseefa to the latest ATEX and IECEx standards, in accordance with the European Community Directive 94/9/EC. To ensure that the enclosures are compliant, each variant is verified using the maximum dissipated power rating concept, this ensures that temperature classification of the terminal box is not exceeded.

It is the installer's responsibility to ensure that the enclosures are suitable for the environment in which they are intended. Certified glands must be used so that the stated ingress protection is maintained.

Certified: **II 2G Exe IIC T6 Gb**
II 2D tb IIIC T85°C Db IP66

Certificate Number: Baseefa12ATEX0021X; IECEx BAS 12.0014X

Certificate Number
Baseefa12ATEX0021X



Issued 23rd February 2012
Page 1 of 9

1 EC - TYPE EXAMINATION CERTIFICATE

2 **Equipment or Protective System Intended for use in Potentially Explosive Atmospheres Directive 94/9/EC**

3 EC - Type Examination Certificate Number: Baseefa12ATEX0021X

4 Equipment or Protective System: Range of GRP Terminal Boxes

5 Manufacturer: ILECSYS

6 Address: Unit 4, Tring Industrial Estate, Upper Ickenfield Way, Tring, HP23 4JX, UK

7 This equipment or protective system and any acceptable variation thereto is specified in the schedule to this certificate and the documents therein referred to.

8 Baseefa, Notified Body number 1180, in accordance with Article 9 of the Council Directive 94/9/EC of 23 March 1994, certifies that this equipment or protective system has been found to comply with the Essential Health and Safety Requirements relating to the design and construction of equipment and protective systems intended for use in potentially explosive atmospheres given in Annex II to the Directive.

The examination and test results are recorded in confidential Report No. GR/BAS/EXTR12.0020/00

9 Compliance with the Essential Health and Safety Requirements has been assured by compliance with:
EN 60079-0:2009 EN 60079-7:2007 EN 60079-31:2009
except in respect of those requirements listed at item 18 of the Schedule.

10 If the sign "X" is placed after the certificate number, it indicates that the equipment or protective system is subject to special conditions for safe use specified in the schedule to this certificate.

11 This EC - TYPE EXAMINATION CERTIFICATE relates only to the design and construction of the specified equipment or protective system. Further requirements of the Directive apply to the manufacturing process and supply of this equipment or protective system. These are not covered by this certificate.

12 The marking of the equipment or protective system shall include the following:
Ⓜ II 2G Ex e IIC T6 Gb (-50°C ≤ Ta ≤ +45°C) * See equipment description
Ⓜ II 2D Ex tb IIIC T85°C Db IP66

This certificate may only be reproduced in its entirety, without any change, schedule included.


Baseefa Customer Reference No. 6166 Project File No. 08/0801

This certificate is granted subject to the general terms and conditions of Baseefa. It does not necessarily indicate that the equipment may be used in particular industries or circumstances.



Baseefa
Rockhead Business Park, Staden Lane,
Buxton, Derbyshire SK17 9RZ
Telephone +44 (0) 1298 766000 Fax +44 (0) 1298 766001
e-mail info@baseefa.com web site www.baseefa.com
Baseefa is a trading name of Baseefa Ltd
Registered in England No. 4305076. Registered address as above.

R S SINCLAIR
DIRECTOR
On behalf of
Baseefa



IECEx Certificate of Conformity

INTERNATIONAL ELECTROTECHNICAL COMMISSION
IEC Certification Scheme for Explosive Atmospheres
for rules and details of the IECEx Scheme visit www.iecex.com

Certificate No.: IECEx BAS 12.0014X Issue No.: 1
Status: Current Certificate History: Issue No. 1 (2012-6-16) Issue No. 0 (2012-2-27)

Date of Issue: 2012-05-16 Page 1 of 4

Applicant: ILECSYS
Unit 4 Tring Industrial Estate
Upper Ickenfield Way
Tring
HP23 4JX
United Kingdom

Electrical Apparatus: Range of GRP Terminal Boxes
Optional accessory:

Type of Protection: Increased safety 'w', Protection by enclosure 't'

Marking: Ex e IIC T6 Gb
Ex tb IIIC T85°C Db IP66
(-50°C ≤ Ta ≤ +45°C) * Refer to equipment description.

Approved for issue on behalf of the IECEx Certification Body: R S Sinclair MBWNEY
Position: General Manager

Signature: (for printed version) MBWNEY
Date: 16/5/12

1. This certificate and schedule may only be reproduced in full.
2. This certificate is not transferable and remains the property of the issuing body.
3. The Status and authenticity of this certificate may be verified by visiting the Official IECEx Website.

Certificate issued by: Baseefa
Rockhead Business Park
Staden Lane
Buxton
Derbyshire
SK17 9RZ
United Kingdom



Terminal Population - GRP80

WEIDMULLER AKZ		WEIDMULLER WDK	
AKZ1.5	6	WDK2.5	0
AKZ2.5	6	WDK2.5V	0
AKZ4	6	WDK2.5N	0
		WDK2.5NV	0
WEIDMULLER SAK		WEIDMULLER DK	
SAK2.5	0	WDK4	0
SAK4	0	WDK4NV	0
SAK6N	0	WEIDMULLER DK	
SAK10	0	DK4	0
SAK16	0	DK4Q	0
SAK35	0	DK4QV	0
WEIDMULLER WDU		WEIDMULLER BK	
WDU2.5	0	BK2/E	1
WDU4	0	BK3/E	1
WDU8	0	BK4/E	1
WDU10	0	BK6/E	1
WDU16	0	BK12/E	0
WDU35	0		
WDU50N	0	WEIDMULLER MK	
WDU70N	0	MK6/2	1
		MK6/3	1
WEIDMULLER WFF		MK6/4	1
WFF35	0	MK6/5	1
WFF70	0	MK6/6	0
WFF120	0		
WFF185	0	WIELAND WK	
WFF300	0	WK2.5/U	0
		WK4/U	0
WIELAND WK4		WK6/U	0
WK4/D 1/2	0	WK10/U	0
WK4/D 2/2	0	WK16/U	0
WK4/D E/U	0	WKN35/U	0
WK4 E/U	0	WKN70/U	0
WK4 E/U/VB	0	WKN150/U	0

Box Type:

GRP80 - 80mm x 75mm x 55mm

Power Rating:

Ta 40°C - 1.5W; Ta 55°C - 0.9W; Ta 65°C - 0.5W

Certified:

 II 2G Exe IIC T6 Gb
II 2D tb IIIC T85°C Db IP66

Certificate Numbers:

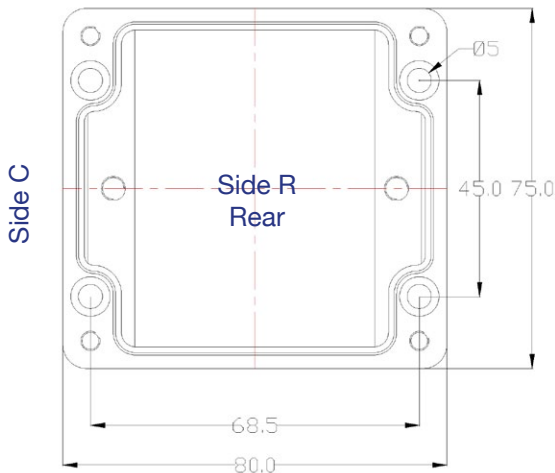
Baseefa12ATEX0021X; IECEX BAS 12.0014X



Cable Gland Entry Matrix

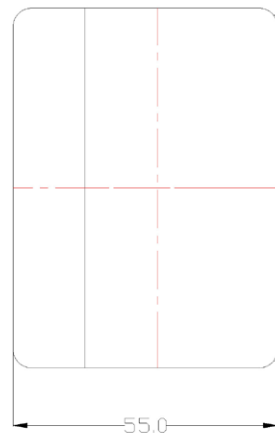
Entry Size	Sides A & B	Sides C & D	Side R
M16	1	0	0
M20	1	0	0
M25	0	0	0
M32	0	0	0
M40	0	0	0
M50	0	0	0
M63	0	0	0

Side A



Side B

Side D





JCE GRP Junction Boxes

Box Type:

GRP110 - 110mm x 75mm x 55mm

Power Rating:

Ta 40°C - 1.9W; Ta 55°C - 1.2W; Ta 65°C - 0.7W

Certified:

II 2G Exe IIC T6 Gb

II 2D tb IIIC T85°C Db IP66

Certificate Numbers:

Baseefa 12ATEX0021X; IECEx BAS 12.0014X



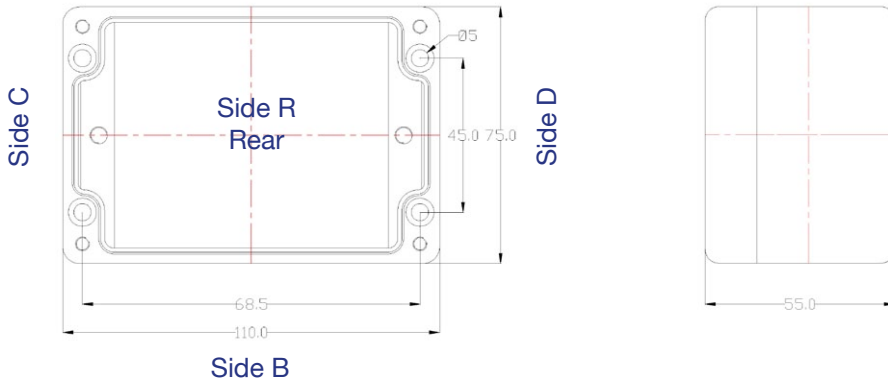
Cable Gland Entry Matrix

Entry Size	Sides A & B	Sides C & D	Side R
M16	2	0	0
M20	2	0	0
M25	0	0	0
M32	0	0	0
M40	0	0	0
M50	0	0	0
M63	0	0	0

Terminal Population - GRP110

WEIDMULLER AKZ		WEIDMULLER WDK	
AKZ1.5	7	WDK2.5	0
AKZ2.5	7	WDK2.5V	0
AKZ4	7	WDK2.5N	0
		WDK2.5NV	0
WEIDMULLER SAK		WEIDMULLER DK	
SAK2.5	0	WDK4	0
SAK4	0	WDK4NV	0
SAK6N	0	DK4	0
SAK10	0	DK4Q	0
SAK16	0	DK4QV	0
SAK35	0		
WEIDMULLER WDU		WEIDMULLER BK	
WDU2.5	0	BK2/E	1
WDU4	0	BK3/E	1
WDU8	0	BK4/E	1
WDU10	0	BK6/E	1
WDU16	0	BK12/E	0
WDU35	0		
WDU50N	0	WEIDMULLER MK	
WDU70N	0	MK6/2	1
		MK6/3	1
WEIDMULLER WFF		MK6/4	1
WFF35	0	MK6/5	1
WFF70	0	MK6/6	1
WFF120	0		
WFF185	0	WIELAND WK	
WFF300	0	WK2.5/U	0
		WK4/U	0
WIELAND WK4		WK6/U	0
WK4/D 1/2	0	WK10/U	0
WK4/D 2/2	0	WK16/U	0
WK4/D E/U	0	WKN35/U	0
WK4 E/U	0	WKN70/U	0
WK4 E/U/VB	0	WKN150/U	0

Side A



Terminal Population - GRP122

WEIDMULLER AKZ		WEIDMULLER WDK	
AKZ1.5	0	WDK2.5	12
AKZ2.5	0	WDK2.5V	12
AKZ4	0	WDK2.5N	12
		WDK2.5NV	12
WEIDMULLER SAK		WEIDMULLER DK	
SAK2.5	10	WDK4	10
SAK4	9	WDK4NV	10
SAK6N	7	WEIDMULLER DK	
SAK10	4	DK4	10
SAK16	4	DK4Q	10
SAK35	2	DK4QV	10
WEIDMULLER WDU		WEIDMULLER BK	
WDU2.5	12	BK2/E	1
WDU4	10	BK3/E	1
WDU8	7	BK4/E	1
WDU10	5	BK6/E	1
WDU16	4	BK12/E	1
WDU35	3		
WDU50N	0	WEIDMULLER MK	
WDU70N	0	MK6/2	1
		MK6/3	1
WEIDMULLER WFF		MK6/4	1
WFF35	0	MK6/5	1
WFF70	0	MK6/6	1
WFF120	0		
WFF185	0	WIELAND WK	
WFF300	0	WK2.5/U	12
		WK4/U	10
WIELAND WK4		WK6/U	7
WK4/D 1/2	10	WK10/U	6
WK4/D 2/2	10	WK16/U	4
WK4/D E/U	10	WKN35/U	3
WK4 E/U	10	WKN70/U	0
WK4 E/U/VB	10	WKN150/U	0

Box Type:

GRP122 - 122mm x 120mm x 90mm

Power Rating:

Ta 40°C - 3.8W; Ta 55°C - 2.3W; Ta 65°C - 1.4W

Certified:

 II 2G Exe IIC T6 Gb

II 2D tb IIIC T85°C Db IP66

Certificate Numbers:

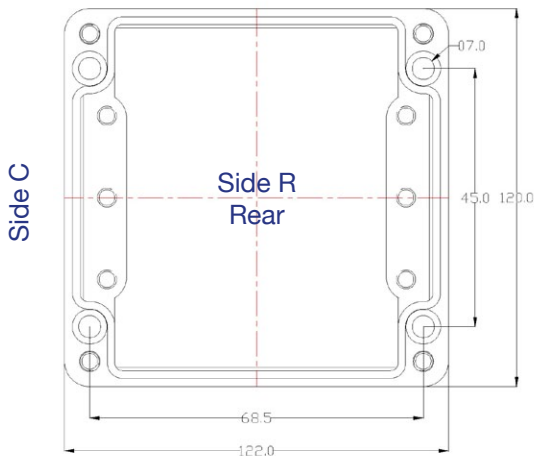
Baseefa12ATEX0021X; IECEx BAS 12.0014X



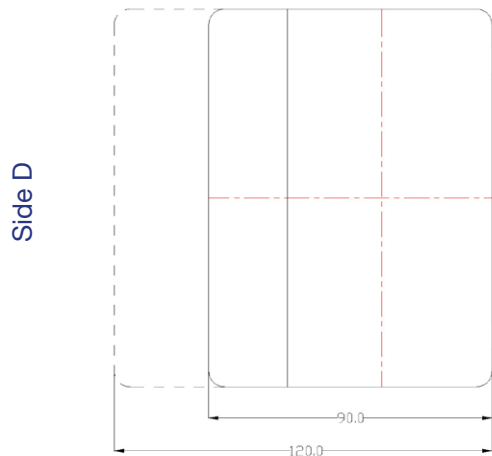
Cable Gland Entry Matrix

Entry Size	Sides A & B	Sides C & D	Side R
M16	3	1	4
M20	3	1	4
M25	2	0	4
M32	1	0	2
M40	0	0	0
M50	0	0	0
M63	0	0	0

Side A



Side B



Side D



JCE GRP Junction Boxes

Box Type:

OGRP122 - 122mm x 122mm x 82mm

Power Rating:

Ta 40°C - 3.8W; Ta 55°C - 2.4W; Ta 65°C - 1.4W

Certified:



II 2G Exe IIC T6 Gb

II 2D tb IIIC T85°C Db IP66

Certificate Numbers:

Baseefa12ATEX0021X; IECEx BAS 12.0014X



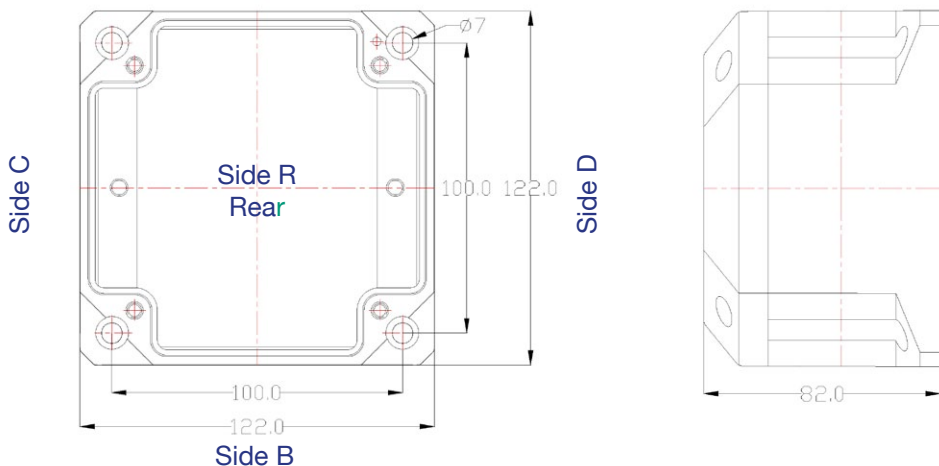
Cable Gland Entry Matrix

Entry Size	Sides A & B	Sides C & D	Side R
M16	2	2	4
M20	2	2	4
M25	1	1	4
M32	0	0	0
M40	0	0	0
M50	0	0	0
M63	0	0	0

Terminal Population - OGRP122

WEIDMULLER AKZ		WEIDMULLER WDK	
AKZ1.5	0	WDK2.5	0
AKZ2.5	0	WDK2.5V	0
AKZ4	0	WDK2.5N	0
		WDK2.5NV	0
WEIDMULLER SAK		WEIDMULLER DK	
SAK2.5	10	WDK4	0
SAK4	9	WDK4NV	0
SAK6N	7	WEIDMULLER DK	
SAK10	4	DK4	10
SAK16	4	DK4Q	10
SAK35	0	DK4QV	10
WEIDMULLER WDU		WEIDMULLER BK	
WDU2.5	12	BK2/E	1
WDU4	10	BK3/E	1
WDU8	7	BK4/E	1
WDU10	5	BK6/E	1
WDU16	0	BK12/E	1
WDU35	0		
WDU50N	0	WEIDMULLER MK	
WDU70N	0	MK6/2	1
		MK6/3	1
WEIDMULLER WFF		MK6/4	1
WFF35	0	MK6/5	1
WFF70	0	MK6/6	1
WFF120	0		
WFF185	0	WIELAND WK	
WFF300	0	WK2.5/U	12
		WK4/U	10
WIELAND WK4		WK6/U	7
WK4/D 1/2	0	WK10/U	6
WK4/D 2/2	0	WK16/U	4
WK4/D E/U	0	WKN35/U	0
WK4 E/U	0	WKN70/U	0
WK4 E/U/VB	0	WKN150/U	0

Side A



Terminal Population - GRP160

WEIDMULLER AKZ		WEIDMULLER WDK	
AKZ1.5	0	WDK2.5	19
AKZ2.5	0	WDK2.5V	19
AKZ4	0	WDK2.5N	19
		WDK2.5NV	19
WEIDMULLER SAK		WEIDMULLER DK	
SAK2.5	16	WDK4	16
SAK4	15	WDK4NV	16
SAK6N	12	WEIDMULLER DK	
SAK10	9	DK4	16
SAK16	7	DK4Q	16
SAK35	4	DK4QV	16
WEIDMULLER WDU		WEIDMULLER BK	
WDU2.5	19	BK2/E	1
WDU4	16	BK3/E	1
WDU8	12	BK4/E	1
WDU10	9	BK6/E	1
WDU16	7	BK12/E	1
WDU35	5		
WDU50N	0	WEIDMULLER MK	
WDU70N	0	MK6/2	1
		MK6/3	1
WEIDMULLER WFF		MK6/4	1
WFF35	0	MK6/5	1
WFF70	0	MK6/6	1
WFF120	0		
WFF185	0	WIELAND WK	
WFF300	0	WK2.5/U	20
		WK4/U	16
WIELAND WK4		WK6/U	12
WK4/D 1/2	16	WK10/U	9
WK4/D 2/2	16	WK16/U	7
WK4/D E/U	16	WKN35/U	5
WK4 E/U	16	WKN70/U	0
WK4 E/U/VB	16	WKN150/U	0

Box Type:

GRP160 - 160mm x 160mm x 90mm

Power Rating:

Ta 40°C - 5.7W; Ta 55°C - 3.5W; Ta 65°C - 2.1W

Certified:

 II 2G Exe IIC T6 Gb

II 2D tb IIIC T85°C Db IP66

Certificate Numbers:

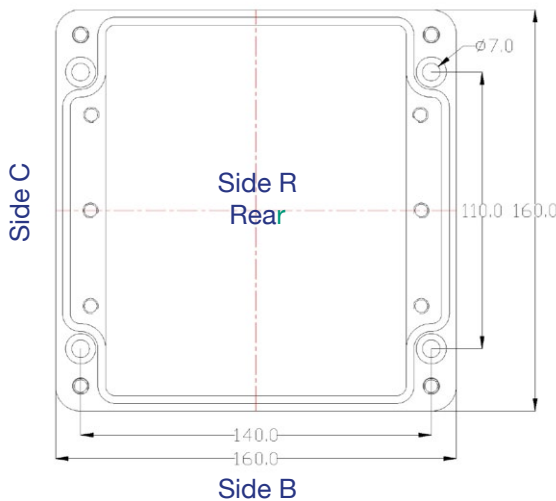
Baseefa12ATEX0021X; IECEx BAS 12.0014X



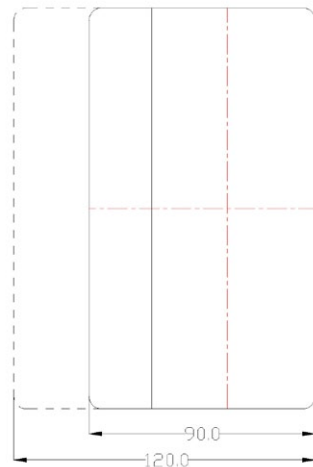
Cable Gland Entry Matrix

Entry Size	Sides A & B	Sides C & D	Side R
M16	6	2	6
M20	6	2	6
M25	2	2	4
M32	2	0	4
M40	0	0	0
M50	0	0	0
M63	0	0	0

Side A



Side D





JCE GRP Junction Boxes

Box Type:

GRP220 - 220mm x 120mm x 90mm

Power Rating:

Ta 40°C - 6W; Ta 55°C - 3.7W; Ta 65°C - 2.2W

Certified:



II 2G Exe IIC T6 Gb

II 2D tb IIIC T85°C Db IP66

Certificate Numbers:

Baseefa12ATEX0021X; IECEx BAS 12.0014X



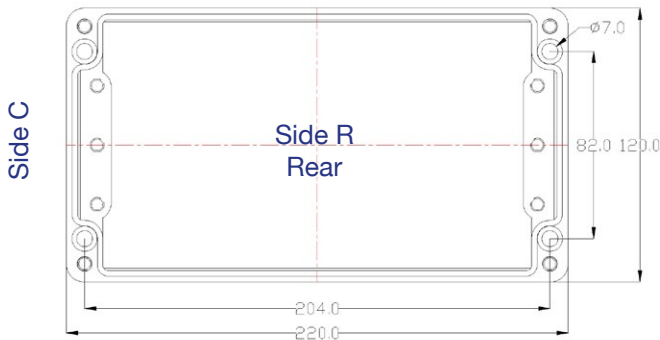
Cable Gland Entry Matrix

Entry Size	Sides A & B	Sides C & D	Side R
M16	5	1	10
M20	5	1	10
M25	3	0	6
M32	3	0	6
M40	0	0	0
M50	0	0	0
M63	0	0	0

Terminal Population - GRP220

WEIDMULLER AKZ		WEIDMULLER WDK	
AKZ1.5	0	WDK2.5	0
AKZ2.5	0	WDK2.5V	0
AKZ4	0	WDK2.5N	31
		WDK2.5NV	31
WEIDMULLER SAK		WEIDMULLER DK	
SAK2.5	26	WDK4	26
SAK4	26	WDK4NV	26
SAK6N	19	WEIDMULLER DK	
SAK10	15	DK4	26
SAK16	12	DK4Q	26
SAK35	8	DK4QV	26
WEIDMULLER WDU		WEIDMULLER BK	
WDU2.5	31	BK2/E	0
WDU4	26	BK3/E	0
WDU8	20	BK4/E	0
WDU10	15	BK6/E	0
WDU16	12	BK12/E	0
WDU35	9	WEIDMULLER MK	
WDU50N	0	MK6/2	0
WDU70N	0	MK6/3	0
WEIDMULLER WFF		MK6/4	0
WFF35	0	MK6/5	0
WFF70	0	MK6/6	0
WFF120	0	WIELAND WK	
WFF185	0	WK2.5/U	32
WFF300	0	WK4/U	26
WIELAND WK4		WK6/U	19
WK4/D 1/2	26	WK10/U	15
WK4/D 2/2	26	WK16/U	12
WK4/D E/U	26	WKN35/U	9
WK4 E/U	26	WKN70/U	0
WK4 E/U/VB	26	WKN150/U	0

Side A



Side B

Side D



Terminal Population - GRP260

WEIDMULLER AKZ		WEIDMULLER WDK	
AKZ1.5	0	WDK2.5	39
AKZ2.5	0	WDK2.5V	39
AKZ4	0	WDK2.5N	39
		WDK2.5NV	39
WEIDMULLER SAK		WEIDMULLER DK	
SAK2.5	33	WDK4	32
SAK4	30	WDK4NV	32
SAK6N	24	DK4	33
SAK10	19	DK4Q	33
SAK16	16	DK4QV	33
SAK35	10		
WEIDMULLER WDU		WEIDMULLER BK	
WDU2.5	39	BK2/E	0
WDU4	32	BK3/E	0
WDU8	25	BK4/E	0
WDU10	19	BK6/E	0
WDU16	16	BK12/E	0
WDU35	11		
WDU50N	0	WEIDMULLER MK	
WDU70N	0	MK6/2	0
		MK6/3	0
WEIDMULLER WFF		MK6/4	0
WFF35		MK6/5	0
WFF70		MK6/6	0
WFF120			
WFF185		WIELAND WK	
WFF300		WK2.5/U	40
		WK4/U	33
WIELAND WK4		WK6/U	24
WK4/D 1/2	33	WK10/U	19
WK4/D 2/2	33	WK16/U	16
WK4/D E/U	33	WKN35/U	11
WK4 E/U	33	WKN70/U	0
WK4 E/U/VB	33	WKN150/U	0

Box Type:
GRP260 - 260mm x 160mm x 90mm

Power Rating:
Ta 40°C - 8.3W; Ta 55°C - 5.1W; Ta 65°C - 3.1W

Certified:
 II 2G Exe IIC T6 Gb
II 2D tb IIIC T85°C Db IP66

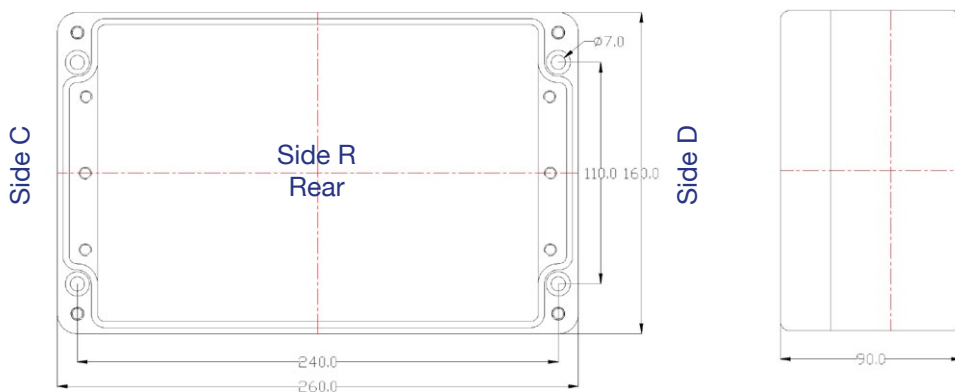
Certificate Numbers:
Baseefa12ATEX0021X; IECEX BAS 12.0014X



Cable Gland Entry Matrix

Entry Size	Sides A & B	Sides C & D	Side R
M16	10	2	10
M20	10	2	10
M25	4	2	8
M32	3	0	6
M40	0	0	0
M50	0	0	0
M63	0	0	0

Side A



Side B



JCE GRP Junction Boxes

Box Type:

GRP255 - 255mm x 250mm x 120mm

Power Rating:

Ta 40°C - 13W; Ta 55°C - 8.1W; Ta 65°C - 4.8W

Certified:



II 2G Exe IIC T6 Gb

II 2D tb IIIC T85°C Db IP66

Certificate Numbers:

Baseefa12ATEX0021X; IECEx BAS 12.0014X



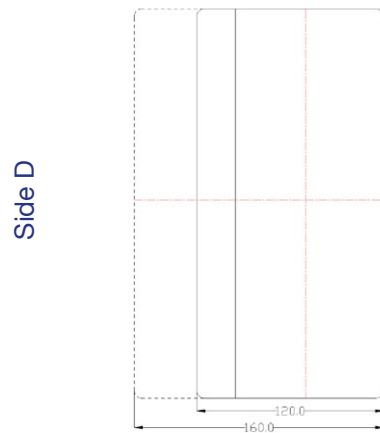
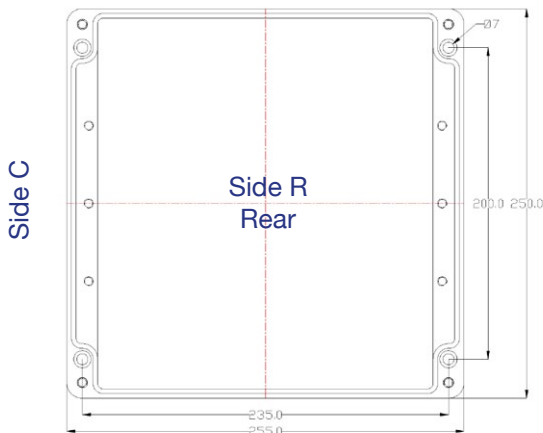
Cable Gland Entry Matrix

Entry Size	Sides A & B	Sides C & D	Side R
M16	10	8	10
M20	10	8	10
M25	4	3	8
M32	3	2	6
M40	3	2	6
M50	1	1	2
M63	1	0	2

Terminal Population - GRP255

WEIDMULLER AKZ		WEIDMULLER WDK	
AKZ1.5	0	WDK2.5	76
AKZ2.5	0	WDK2.5V	76
AKZ4	0	WDK2.5N	75
		WDK2.5NV	76
WEIDMULLER SAK		WEIDMULLER DK	
SAK2.5	64	WDK4	62
SAK4	58	WDK4NV	62
SAK6N	48	WEIDMULLER DK	
SAK10	38	DK4	64
SAK16	30	DK4Q	64
SAK35	20	DK4QV	64
WEIDMULLER WDU		WEIDMULLER BK	
WDU2.5	76	BK2/E	0
WDU4	62	BK3/E	0
WDU8	48	BK4/E	0
WDU10	38	BK6/E	0
WDU16	30	BK12/E	0
WDU35	22		
WDU50N	9	WEIDMULLER MK	
WDU70N	8	MK6/2	0
		MK6/3	0
WEIDMULLER WFF		MK6/4	0
WFF35	0	MK6/5	0
WFF70	0	MK6/6	0
WFF120	0		
WFF185	0	WIELAND WK	
WFF300	0	WK2.5/U	78
		WK4/U	64
WIELAND WK4		WK6/U	48
WK4/D 1/2	64	WK10/U	38
WK4/D 2/2	64	WK16/U	30
WK4/D E/U	32	WKN35/U	22
WK4 E/U	64	WKN70/U	7
WK4 E/U/VB	64	WKN150/U	6

Side A



Side B

Terminal Population - GRP360

WEIDMULLER AKZ		WEIDMULLER WDK	
AKZ1.5	0	WDK2.5	60
AKZ2.5	0	WDK2.5V	60
AKZ4	0	WDK2.5N	60
		WDK2.5NV	60
WEIDMULLER SAK		WEIDMULLER DK	
SAK2.5	50	WDK4	49
SAK4	46	WDK4NV	49
SAK6N	37	WEIDMULLER DK	
SAK10	29	DK4	50
SAK16	24	DK4Q	50
SAK35	15	DK4QV	50
WEIDMULLER WDU		WEIDMULLER BK	
WDU2.5	60	BK2/E	0
WDU4	50	BK3/E	0
WDU8	37	BK4/E	0
WDU10	29	BK6/E	0
WDU16	24	BK12/E	0
WDU35	18		
WDU50N	0	WEIDMULLER MK	
WDU70N	0	MK6/2	0
		MK6/3	0
WEIDMULLER WFF		MK6/4	0
WFF35	0	MK6/5	0
WFF70	0	MK6/6	0
WFF120	0		
WFF185	0	WIELAND WK	
WFF300	0	WK2.5/U	60
		WK4/U	50
WIELAND WK4		WK6/U	37
WK4/D 1/2	50	WK10/U	29
WK4/D 2/2	50	WK16/U	24
WK4/D E/U	50	WKN35/U	18
WK4 E/U	50	WKN70/U	0
WK4 E/U/VB	50	WKN150/U	0

Box Type:
GRP360 - 360mm x 160mm x 90mm

Power Rating:
Ta 40°C - 9W; Ta 55°C - 5.6W; Ta 65°C - 3.3W

Certified:
 II 2G Exe IIC T6 Gb
II 2D tb IIIC T85°C Db IP66

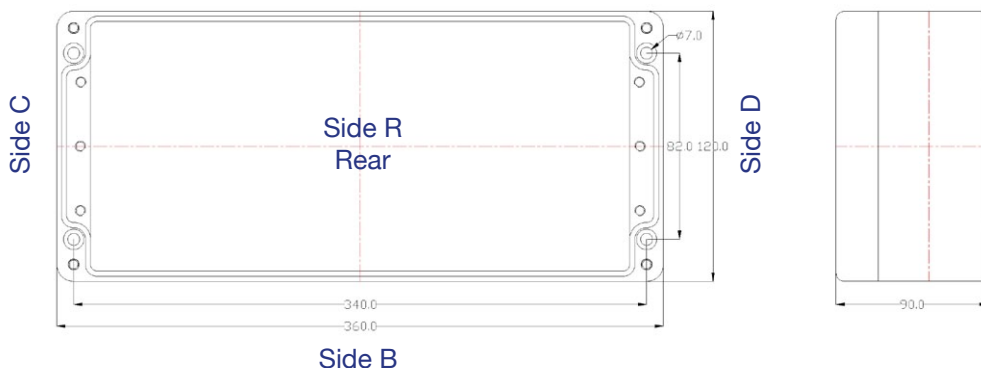
Certificate Numbers:
Baseefa12ATEX0021X; IECEX BAS 12.0014X



Cable Gland Entry Matrix

Entry Size	Sides A & B	Sides C & D	Side R
M16	10	2	10
M20	10	2	10
M25	4	2	8
M32	3	0	6
M40	0	0	0
M50	0	0	0
M63	0	0	0

Side A





JCE GRP Junction Boxes

Box Type:

GRP400/2 - 400mm x 250mm x 120mm

Power Rating:

Ta 40°C - 18.6W; Ta 55°C - 11.6W; Ta 65°C - 6.9W

Certified:



II 2G Exe IIC T6 Gb

II 2D tb IIIC T85°C Db IP66

Certificate Numbers:

Baseefa12ATEX0021X; IECEx BAS 12.0014X



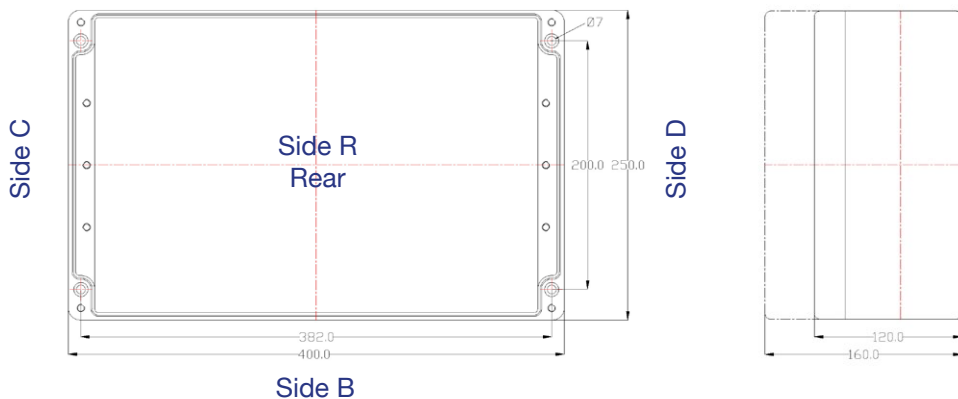
Cable Gland Entry Matrix

Entry Size	Sides A & B	Sides C & D	Side R
M16	16	8	16
M20	16	8	16
M25	7	3	14
M32	5	2	10
M40	5	2	10
M50	1	1	2
M63	1	0	2

Terminal Population - GRP400/2

WEIDMULLER AKZ		WEIDMULLER WDK	
AKZ1.5	0	WDK2.5	134
AKZ2.5	0	WDK2.5V	134
AKZ4	0	WDK2.5N	134
		WDK2.5NV	134
WEIDMULLER SAK		WDK4	112
SAK2.5	114	WDK4NV	112
SAK4	106		
SAK6N	84	WEIDMULLER DK	
SAK10	68	DK4	114
SAK16	56	DK4Q	114
SAK35	38	DK4QV	114
WEIDMULLER WDU		WEIDMULLER BK	
WDU2.5	134	BK2/E	0
WDU4	112	BK3/E	0
WDU8	86	BK4/E	0
WDU10	68	BK6/E	0
WDU16	28	BK12/E	0
WDU35	40		
WDU50N	17	WEIDMULLER MK	
WDU70N	16	MK6/2	0
		MK6/3	0
WEIDMULLER WFF		MK6/4	0
WFF35	0	MK6/5	0
WFF70	0	MK6/6	0
WFF120	0		
WFF185	0	WIELAND WK	
WFF300	0	WK2.5/U	138
		WK4/U	114
WIELAND WK4		WK6/U	84
WK4/D 1/2	114	WK10/U	68
WK4/D 2/2	114	WK16/U	54
WK4/D E/U	57	WKN35/U	40
WK4 E/U	114	WKN70/U	12
WK4 E/U/VB	114	WKN150/U	12

Side A



Terminal Population - GRP400

WEIDMULLER AKZ		WEIDMULLER WDK	
AKZ1.5	0	WDK2.5	60
AKZ2.5	0	WDK2.5V	60
AKZ4	0	WDK2.5N	60
		WDK2.5NV	60
WEIDMULLER SAK		WEIDMULLER DK	
SAK2.5	50	WDK4	49
SAK4	46	WDK4NV	49
SAK6N	37	DK4	50
SAK10	29	DK4Q	50
SAK16	24	DK4QV	50
SAK35	15		
WEIDMULLER WDU		WEIDMULLER BK	
WDU2.5	60	BK2/E	0
WDU4	50	BK3/E	0
WDU8	37	BK4/E	0
WDU10	29	BK6/E	0
WDU16	24	BK12/E	0
WDU35	18		
WDU50N	0	WEIDMULLER MK	
WDU70N	0	MK6/2	0
		MK6/3	0
WEIDMULLER WFF		MK6/4	0
WFF35	0	MK6/5	0
WFF70	0	MK6/6	0
WFF120	0		
WFF185	0	WIELAND WK	
WFF300	0	WK2.5/U	60
		WK4/U	50
WIELAND WK4		WK6/U	37
WK4/D 1/2	50	WK10/U	29
WK4/D 2/2	50	WK16/U	24
WK4/D E/U	50	WKN35/U	18
WK4 E/U	50	WKN70/U	0
WK4 E/U/VB	50	WKN150/U	0

Box Type:

GRP400 - 400mm x 405mm x 120mm

Power Rating:

Ta 40°C - 27W; Ta 55°C - 16.8W; Ta 65°C - 10.1W

Certified:



II 2G Exe IIC T6 Gb

II 2D tb IIIC T85°C Db IP66

Certificate Numbers:

Baseefa12ATEX0021X; IECEX BAS 12.0014X



Cable Gland Entry Matrix

Entry Size	Sides A & B	Sides C & D	Side R
M16	10	2	10
M20	10	2	10
M25	4	2	8
M32	3	0	6
M40	0	0	0
M50	0	0	0
M63	0	0	0

Side A

