



## CCTV Camera system (Type 'd')



Bracket available separately (BRCK-8007)

The JCE CCTV camera system is designed for monitoring areas made potentially hazardous by the presence of flammable liquids, gases or vapours. This camera is suitable for low ambient light conditions and is sensitive to Infra Red light, making it suitable for night time vision.

With its built in CCIR signalling the camera automatically compensates for variations in ambient light without the need to change aperture.

### Materials and Finish

Body & Cover - Copper free aluminium alloy LM25 (BS1490) with less than 0.2% copper content.

Finish - Chromate primed and polyester powder coated. Textured black as standard. Other finishes available on request.

### Earthing

All enclosures are supplied with a 6mm stainless steel (18/8) internal and external earth stud as standard. Larger internal earths can be fitted on request.

### Approvals

Enclosure is CSA approved.

### Entries and Thread Standards

Standard thread forms are ISO Metric to BS 3643, NPT or GAS can be supplied on request.

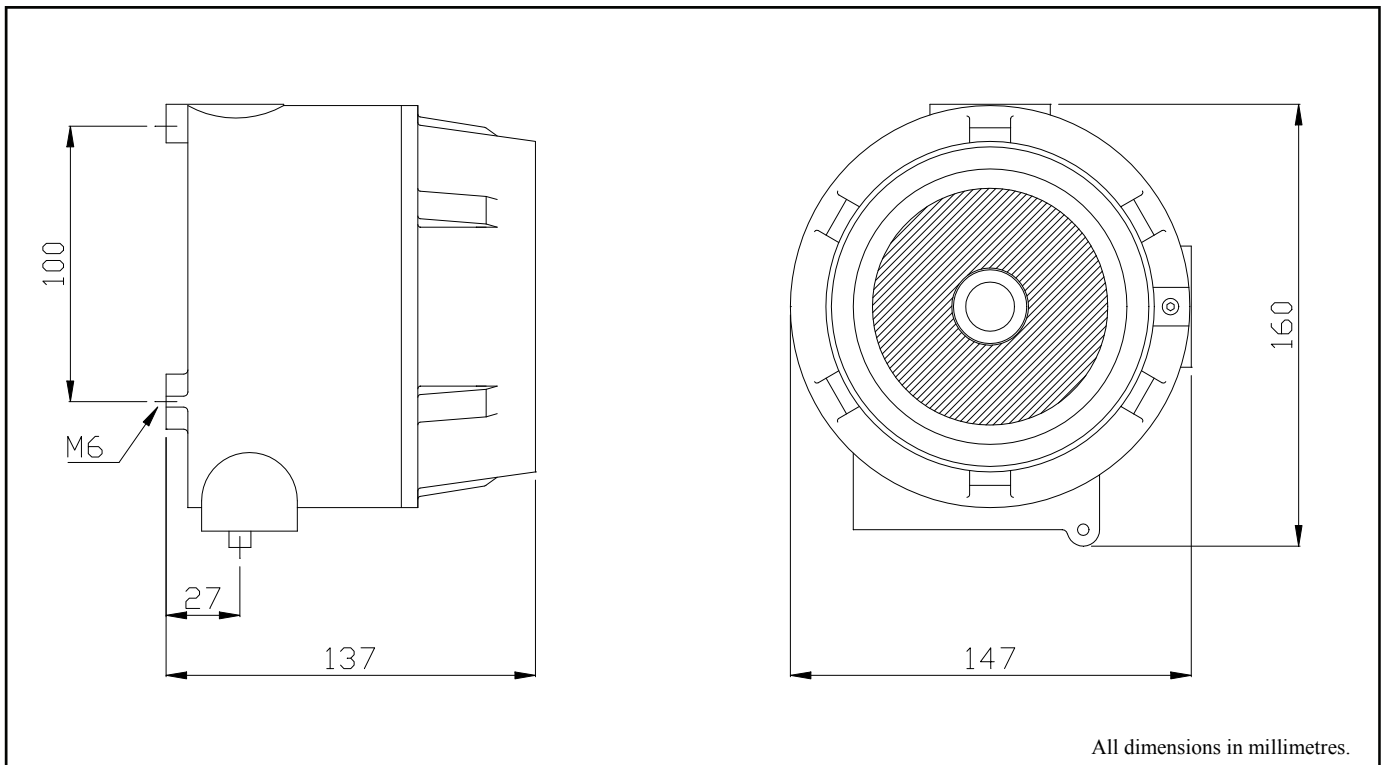
### Protection Grade

Protected to IP66 with gasket. Application of a non hardening grease to flamepaths and entries is recommended.

### Certification

ISSeP Certificate. No. ISSeP03ATEX012X  
EExd IIC T6

## Dimensions



All dimensions in millimetres.

## Specifications

Ex Protection	: EExd IIC T6	Photo sensor	: 1/4" Charge Coupled Device
Ingress protection	: IP66	Output signal	: 1Vp-p 75Ω PAL composite video
Coating	: Polyester powder	Horizontal Resolution	: More than 450 TV lines
Cable entries	: 2 x M20 entries	Minimum Illumination	: 1.2 Lux
Supply voltage :	AC Type - 110 Vac / 230 Vac DC Type - 12 Vdc / 24 Vdc	Lens	: Fixed lens, various focal length options: 1.9mm (100° Viewing angle) 3.0mm* (68° Viewing angle) 4.0mm (46° Viewing angle) 6.0mm (34° Viewing angle) 8.0mm (28° Viewing angle) 12.0mm (18° Viewing angle) 13.0mm (13° Viewing angle) *Supplied as standard
Load	: 8 VA	Ordering Code	: CCTV-8004
Accessories	: Adjustable manual pan and tilt mounting bracket suitable for pipe mounting  Adjustable manual tilt only mounting bracket suitable for bulkhead mounting		Spec. 001 - Colour camera with AC supply voltage Spec. 002 - Colour camera with DC supply voltage Spec. 003 - Monochrome camera with AC supply voltage Spec. 004 - Monochrome camera with DC supply voltage Spec. 005 - Colour camera UTP CAT5 line powered. Spec. 006 - Monochrome camera UTP CAT5 line powered.

• The manufacturer reserves the right to change the above data without notification.

• Details of certification and conformity can be provided on request.

• All products sold subject to our terms and conditions of business.

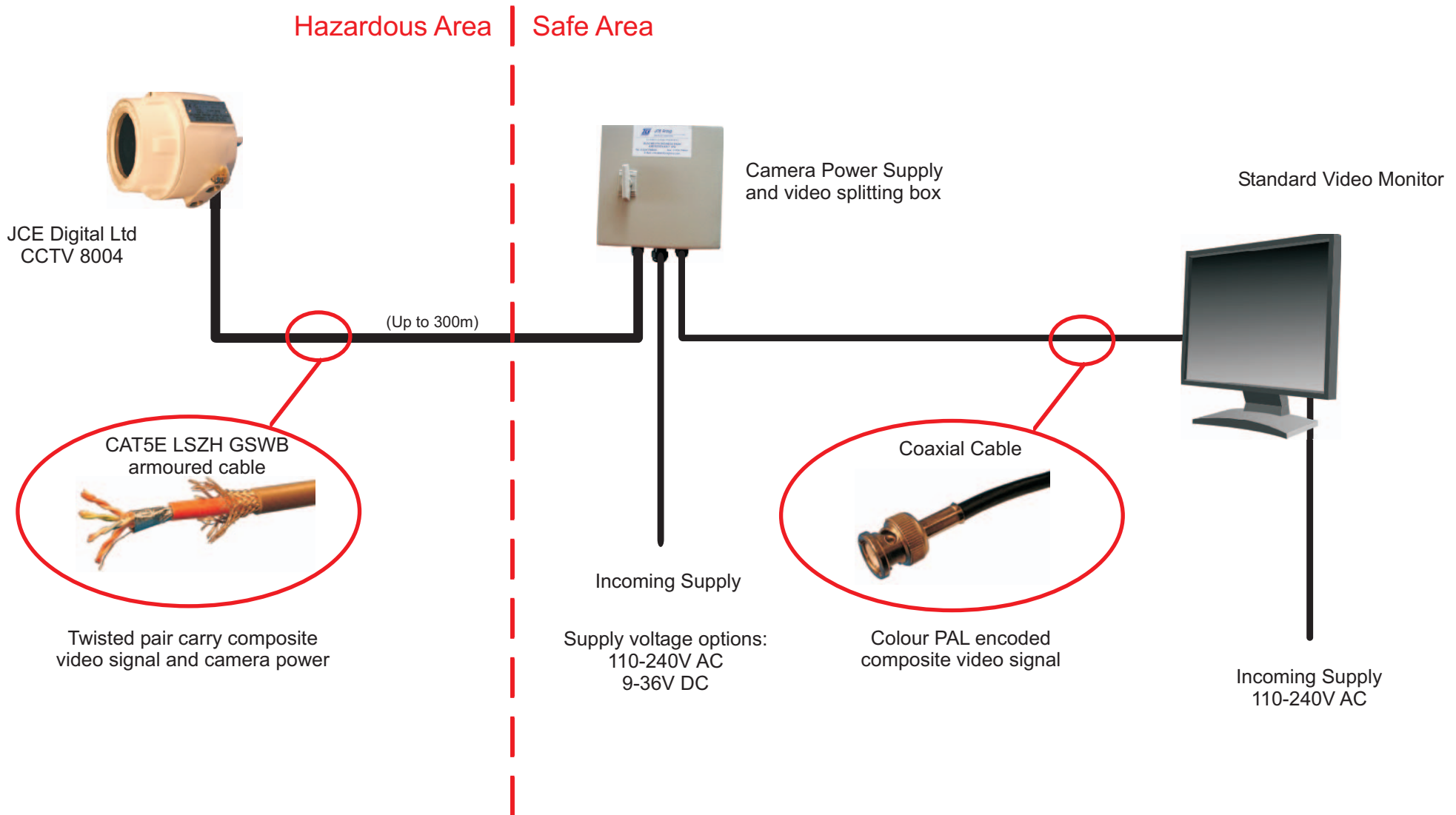
• Health and Safety at Work Act 1974. In the UK all equipment must be installed and disposed of (as required) within the legislative requirements of the Health & Safety at Work Act 1974.



**JCE Digital Ltd**, Blackburn Business Park, Aberdeen, AB21 0PS  
Tel. +44 (0) 1224 798600 Fax. +44 (0) 1224 798601  
Email: [info.digital@jcegroup.com](mailto:info.digital@jcegroup.com)

# CCTV-8004 Application Example

The diagram below shows the line powered version of JCE Digital's CCTV-8004 camera in a single camera, single monitor configuration. This particular camera cuts down on installation time and costs in the hazardous area, by sending the signal and power for the camera down a single cable. This configuration also has the advantage of allowing a much greater distance between the camera in the hazardous area, and the monitor in the safe area (up to 300m).



# CCTV-8004 Application Example

The diagram below shows JCE Digital's fixed position composite video EExd CCTV camera in a single camera, single monitor configuration. This is an extremely cost effective and simple means of monitoring activity in a hazardous area.

