

The **ATEX approved** JCE range of flameproof Photocell units are intended for use in areas made potentially hazardous by the presence of flammable liquids, gases, vapours and dusts (Zones 1, 2, 21 and Zone 22). Certified for Group IIC locations.

Their function is to switch light fittings automatically according to Lux levels.

Materials and Finish

Body & Cover	Aluminium alloy EN AC-42000 (LM25) to BS EN 1706:1998 with less than 0.2% copper content.
Mounting Plate	Mild steel zinc plated (passivated)
Locking Screw	Stainless steel (18/8)
Window	Heat resistant toughened glass
Finish	Polyester powder coated black.

Earthing

All enclosures are supplied with a 6mm stainless steel (18/8) internal and external earth stud as standard. Larger internal earths can be fitted on request.

Entries and Thread Standards

2 x M20 Bottom Face. Other threads can be supplied on request.

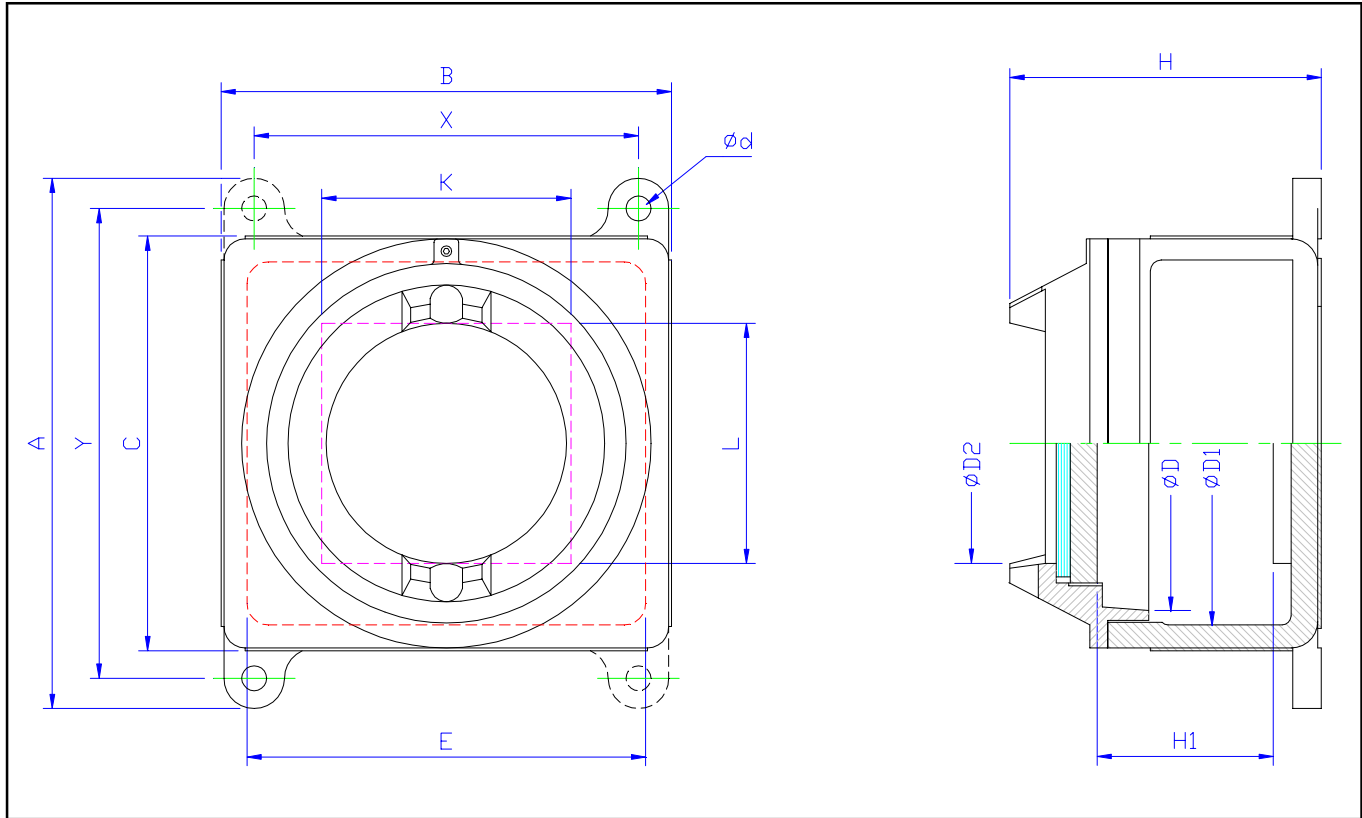
Protection Grade IP66

Miniature Thermal Photocell

Remote sensor	- Cadmium sulphide Cell
Output	- Thermal switch
Switching Differential Voltage	- 1:3 Positive - 230V -6% + 10% 50 Hz (others by request)
Maximum Lamp load	- 1 x 250W HPS 60uF PFC
Maximum Resistive Load	- 2000 Watts
Power consumption	- 1.2W (day)

Operating Temperature - -20 + 40°C

Dimensions



Enclosure Cat No	Overall Dimensions					Internal Dimensions					Mounting			No. Lugs	Mtg. Plate		Wt Kg
	A	B	C	H	$\bar{y} D2$	$\bar{y} D$	$\bar{y} D1$	E	F	H1	X	Y	$\bar{y} d$		K	L	
PCU1	220	176	176	130	86	135	146	146	146	70	145	200	10	2	100	105	4.35

Options

Most standard RAL colours available
Voltage options available
Entry configurations

Certification

ISSeP Cert. No. - ISSeP03ATEX005
EExd II C T6

- Specify cable entry and thread form on ordering.
- Details of certification and conformity can be provided on request.
- All products sold subject to our terms and conditions of business.
- Health and Safety at Work Act 1974. In the UK all equipment must be installed and disposed of (as required) within the legislative requirements of the Health & Safety at Work Act 1974.



JCE (Europe) Ltd., East Way, Lee Mill Industrial Estate, Ivybridge, Devon,
PL21 9LL, England Tel: +44 (0) 1752 690530 Fax +44 (0) 1752 690531
E-Mail: info.euro@jcegroup.com

JCE (Aberdeen) Ltd., Blackburn Business Park, Aberdeen, AB21 0PS
Tel: +44 (0) 1224 798600 Fax: +44 (0) 1224 798601
E-Mail: info.abdn@jcegroup.com

JCE (Asia Pacific) Pte Ltd., 51 Bukit Batok Crescent, 05-04 Unity Centre,
Singapore 658077 Tel: +65 6316 2604 Fax: +65 6316 2609
E-Mail: info.asia@jcegroup.com