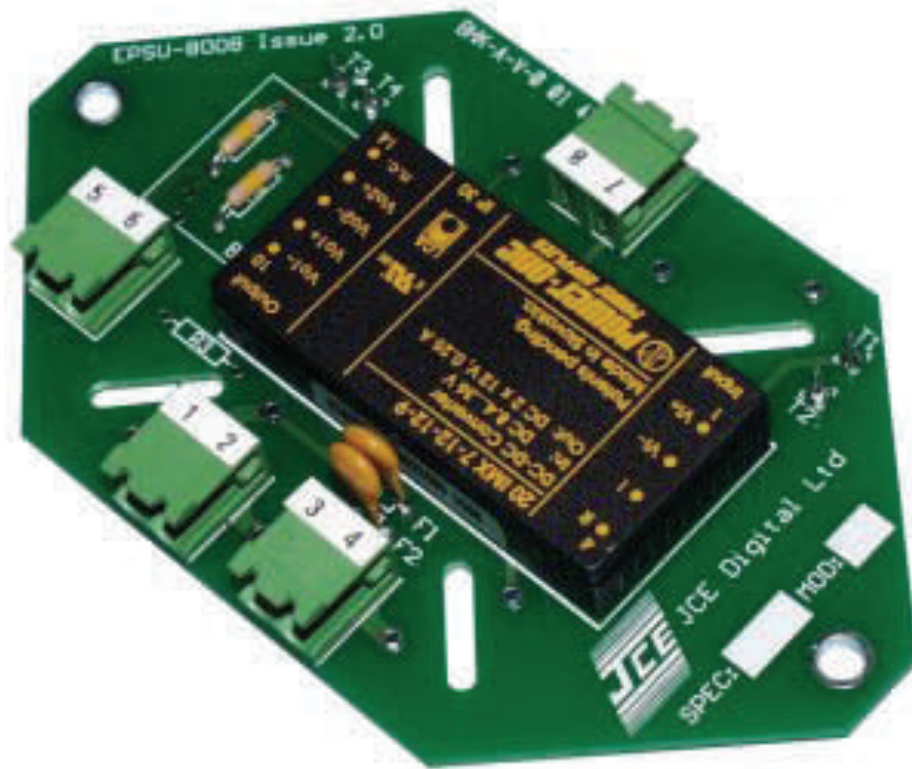


## EPSU-8008 Electronic Power Supply Unit

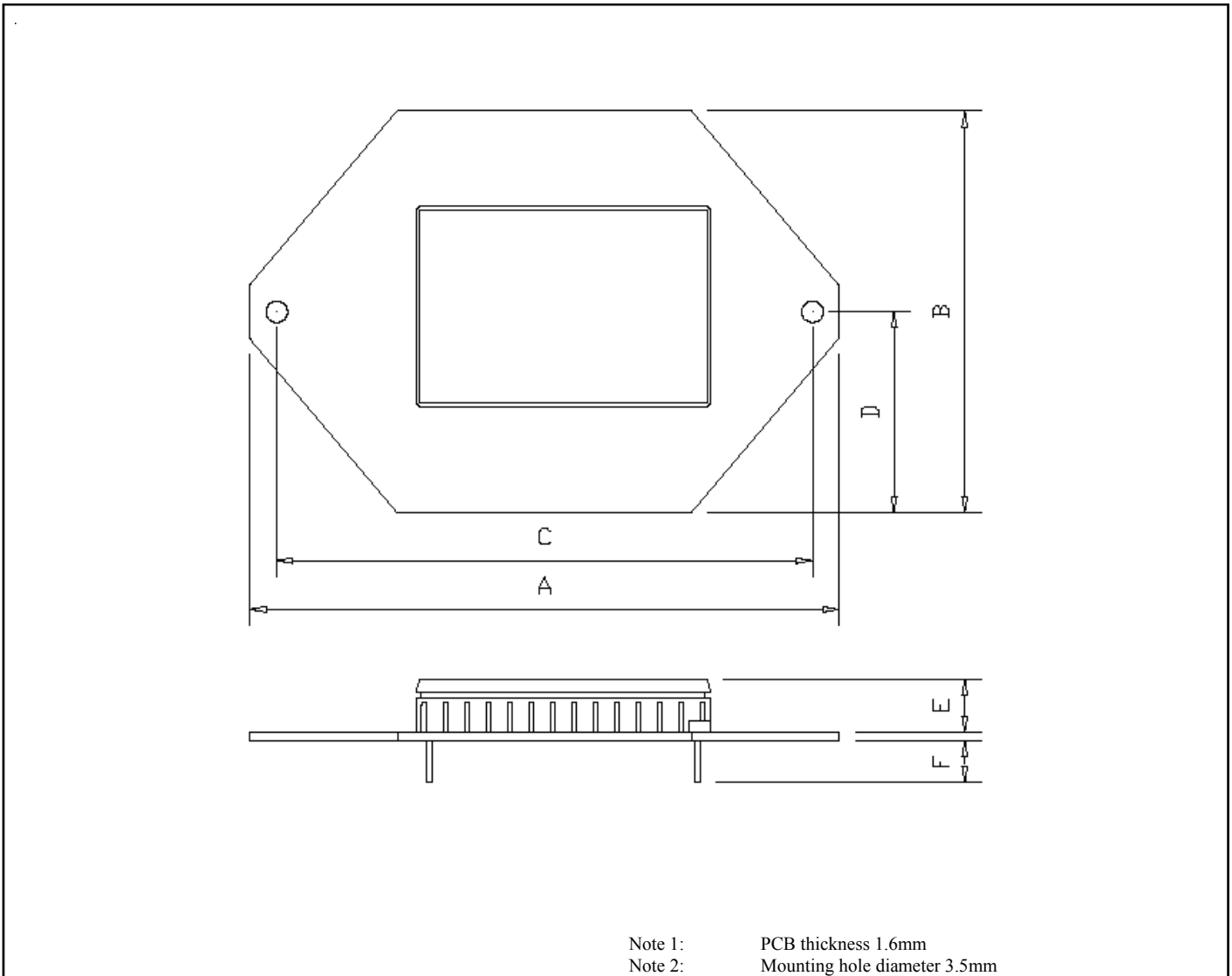


The EPSU-8008 is a small power supply unit that is designed to be mounted inside the EMH29 enclosure manufactured by JCE Europe, although its compact size makes it versatile enough to be used in almost any situation.

### Applications

Depending on the exact model the input voltage can be 110-240V AC, or 8-36V DC. The output voltage can be 5V DC or 12V DC, again depending on the model. The extremely stable (very low ripple) output of this switch-mode DC-DC converter is ideal for supplying sensitive instrumentation electronics with a relatively low power requirement. JCE Digital primarily uses the EPSU in its CCTV-8004 Camera system and the NCAM-8006 Ethernet Network Camera system.

## Dimensions



## Specification

Max. Operational Ambient Temp: <sup>1</sup> 50 Degrees centigrade  
 Min. Operational Ambient Temp: <sup>1</sup> 0 Degrees centigrade

EPSU Spec	Input Range Vin	Output Vout	Ouput Imax
001	DC 8.4 - 36V	DC 2 x 12V	0.25A
003	AC 100 - 240V 50/60Hz	DC 12V	0.42A
004	AC 115 - 230V 50/60Hz	DC 12V	0.90A
005	DC 8.4 - 36V	DC 5V	0.83A



JCE Digital Ltd, Blackburn Business Park, Aberdeen, AB21 0PS  
 Tel. +44 (0) 1224 798600 Fax. +44 (0) 1224 798601  
 Email: info.digital@jcegroup.com