

DPM1900

PERSONAL MONITOR



- Simple & Quick Operation
- Highly Manoeuvrable
- Unmanned Operation
- Compact & Light Weight
- Adjustable Elevation & Rotation
- Ball Shut Off with Locking Handle



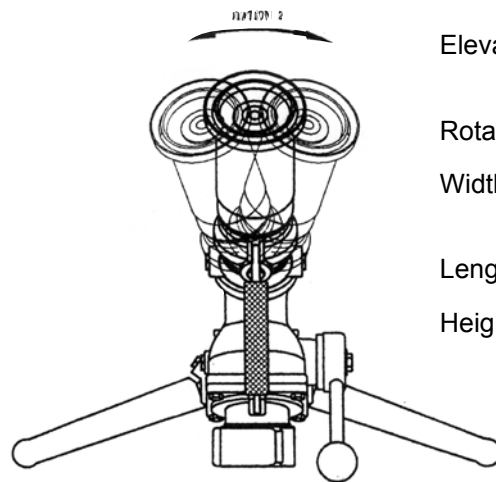
Nozzle Options Available for DPM1900 Monitor

GENERAL DESCRIPTION

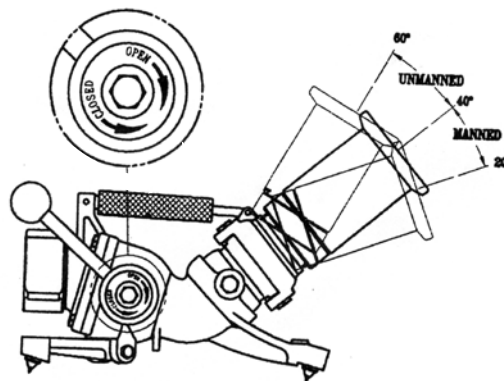
The Delta DPM1900 Personal Monitor is a high manoeuvrable and light weight monitor. A compact and low profile design makes it stable in operation for single person use. The DPM1900 is also able to be used unmanned at the scene of the fire to help save on man power.

This monitor is ideal for quick attack operations with flow rates up to 1900L/Min, adjustable elevation between 30° to 60° unmanned down to 20° when manned. Also horizontal rotation is adjustable 20° either side of the center and large handle allowing the monitor to be carried easily.

FEATURES



Elevation:	30° to 60° Unmanned, Down to 20° Manned
Rotation:	20° either side of center
Width:	Deployed - 610mm, Folded - 200mm
Length:	380mm
Height:	230mm



TECHNICAL DATA

Maximum Flow:	1900L/Min
Maximum Safe Operation:	10bar (150PSI)
Material:	Monitor Body Hard Coated Anodized Aluminum and Tough Powder Coating Carbide Tip Spikes
Weight:	7kg
Inlet:	2½" BSP Female Swivel or Most International Fittings
Outlet:	2½ BSP Male