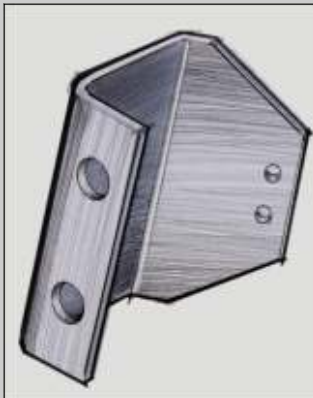
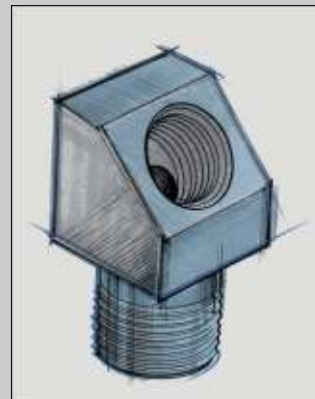
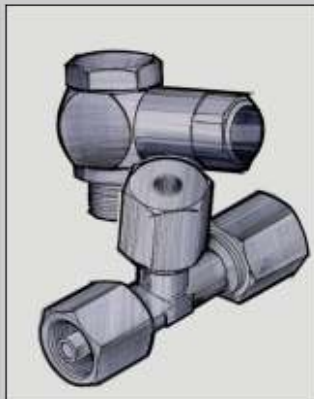
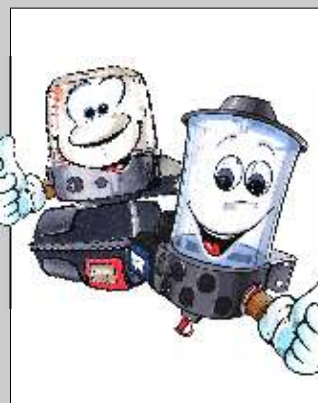
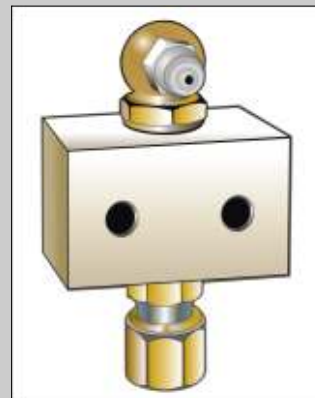


PARTS CATALOGUE



Technology
you can
rely on



Progressive central lubrication systems

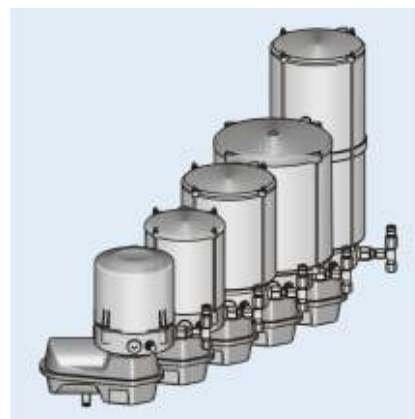
Table of Contents

	Page
Order Instructions for Electric Pump EP-1 without/with Integrated Control Units and Integrated Control Units	4 up to 10
Order Instructions for Central Lubrication Pump Pico without/with integrated Control Units and integrated Control Units	11 and 12
Order Instructions for external Control Unit S-EP 6	13
Pump Elements for Electric Pump EP-1	14
Pump Elements for Central Lubrication Pump Pico	15 and 16
Pressure Relief Valve without/with Micro Switch for Pump Elements PE-120, PE-120F, PE-120 V and PE-120FV	17 and 18
Mounting Bracket for EP-1 Pumps	19 up to 21
Mounting Plates for Pico Pumps	22 and 23
Mounting Bracket for MX-F Distributor	24 up to 26
Welding Plates for MX-F Distributors	27 and 28
Welding Plates for SX-1 Distributors	28
Protection Parts for Lubrication Points	29 and 30
Protection Parts for Lubrication Pipes	31
Push Button Light and Intermediate Lube Button	32 and 33
Selective Lube Button	33
Signal Lamps	34
Small Relays	35
Exchange Light Bulbs	36
Power Supply NGR-1	37
Angular Couplings with Cap Screw and Cutting Olive	38
Straight Couplings with Cap Screw and Cutting Olive	39 and 40
Straight Couplings (Pipes Connectors)	41
Banjo Assemblies	42
Extension Pieces	43 and 44
Elbow Connectors	45 and 46
Connection Parts, straight	47
Straight Bulkhead Coupling with Inside Threading	47
Bulkhead Coupling with Cap Screw and Cutting Olive	48
Straight Rotary Couplings	49
Hinges with Cap Screw and Cutting Olive	49
Adjustable L Couplings	50
Reduction Screws with Cap Screw and Cutting Olive	50
T-Couplings	51
Adjustable T-Couplings	51
Cap Nut	52
Cutting Olive	52
Cap Screw	53
Double Cone Olive	53

Table of Contents

	Page
Straight Plug-in Couplings	54
Angular Plug-in Couplings	55
Hinges with Plug-in Connection	56
Banjo Assemblys with Plug-in Connection	56
Threaded Ferrules	57
Inserts for Ferrule	57 up to 59
Ferrules DN 4 und Inserts DN 4	60
Polyamide Tubes	61
High Pressure Hoses	61
Steel Pipe	62
Spiral Protection	62
Bent Protection Spirals	63
Pipe Clamps	64 up to 66
Nylon Tie Strap	66
Nipple Modification Kit, Nipple Blocks	67 up to 70
Straight Way Nipple Blocks	70 and 71
Other Accessories	72

Electric Pump EP-1



Order Key:

Order-No.	2152 . XX . XX . XX . 000												
Motor Voltage	12 V	24 V											
Order-No.	01	02											
Outlet Type	Outlet Position												
	1	2	3										
PE-120	01	02	03										
PE-120 V	41	42	43										
1 PE-120 u. 1 PE-120 V	52												
1 PE-120 u. 1 PE-120 V	53												
				2 Parts	1 Part								
Reservoir Size (kg) Transparent Reservoirs	1,9	2,5	4	8	8								
Order-No.	27	25	30	28	35								
Reservoir Size (kg) Metal Reservoirs	2			4									
Order-No.	31			26									
Special Model	000												
Special Model	021												

Special models:

021 = Grease level control at drawing-No. AZ-2205.5

Electric Pump EP-1 with Integrated Control Unit EP-tronic



Order Key EP-1 with Integrated Control Unit EP-tronic

Order No.: _____ 2157 . X . X . X . X . X . X . 0000

Motor Voltage	
12V	24V
1	2

Outlet Type	Outlet-No.
PE-120	1 2 3
PE-120 V	4 5 6
1 PE-120 u. 1 PE-120 V	7
1 PE-120 u. 2 PE-120 V	8

Reservoir Size (kg)	1,9	4	8	2,5	8
Order-No.	1	2	3	4	8
With Grease Level Control	5	6	7	9	

Additional Equipment	
Without	0
Connected to the Control Unit	
System Pressure P max.	1
Grease Level Control	2
System Pressure Control and Grease Level Control	3

Parameter	Cycle Time			
	0,5 up to 8 h	2 up to 32 min.	2 up to 32 h	
I 1 up to 16 min.	1	A	J	
II 2 up to 32 min.	2	B	K	
III 2 up to 32 sec.	3	C	L	
Strokes				
I 1 up to 16 Strokes	4	D	M	
II 17 up to 32 Strokes	5	E	N	
III 33 up to 48 Strokes	6	F	O	
Rotations of the Pump				
I 1 up to 16	7	G	P	
II 10 up to 160	8	H	Q	
III 170 up to 320	9	I	R	

With Collective Disturbance Report (Constant Error)	1
With Ignition Release	2

Special Model | 0000

All additional performance as well as time ranges can be adjusted and activated at a later time with system diagnostic instrument DSG-1 or diagnostic software BEKA-DiSys on PC.

Electric Pump EP-1 with integrated Control Unit EP-tronic T1 and integrated Control Unit EP-tronic T1



Order Key for Electric Pump EP-1 with integrated Control Unit EP-tronic T1

Order-No. _____ 2183 . X . X . X . X . X . 0000

Motor Voltage	12 V	24 V
Order-No.	1	2

Outlet Type	Outlet No.		
	1	2	3
PE-120	1	2	3
PE-120V	4	5	6
PE-120 + PE-120V	7		
PE-120 + PE-120V	8		

Container Size	2 Parts		1 Part	
	1,9 kg	2,5 kg	4 kg	8 kg
Order-No.	1	4	2	3
with Grease Level Control		7	5	6

Integrated Control Unit EP-tronic T1			
Range of Lubrication Time	Range of Cycle Time		
	0,5 h up to 8 h	2 min. up to 32 min.	2h up to 32h
I 1 min. up to 16 min.	1	A	J
II 2 min. up to 32 min.	2	B	K
III 2 sec. up to 32 sec.	3	C	L

Intermediate Lubrication Push Button	without	with
Order-No.	0	1

Special Models	without
Order-No.	0000

Order Key for integrated Control Unit EP-tronic T1

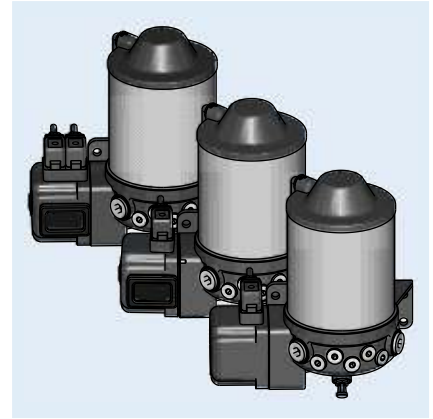
Order-No. _____ 2183 . 9000 . X . X . 0000

Integrated Control Unit EP-tronic T1			
Range of Lubrication Time	Range of Cycle Time		
	0,5 h up to 8 h	2 min. up to 32 min.	2h up to 32h
I 1 min. up to 16 min.	1	A	J
II 2 min. up to 32 min.	2	B	K
III 2 sec. up to 32 sec.	3	C	L

Intermediate Lubrication Push Button	without	with
Order-No.	0	1

Special Models	without
Order-No.	0000

Central Lubrication Pump Pico



Order Key for Electric Pump Pico without controller or with integrated Control Unit Pico S-EP 4 and Pico-tronic

Order-No.		2185 . X . X . X . XX . X . XXX									
Motor voltage	12 V	24 V									
Order-No.	1	2									
Pump elements	Outlet No.				Attention: Pump elements PE-5 up to PE-50 must be orderd separately						
	4	10	4+10	without							
	PE-120F	1	2	3							
	PE-120FV	4	5	6							
	PE-120F + PE-120FV	X				7					
PE-120F + PE-120FV		X		8							
PE-120F + PE-120FV	X		X								
PE-120F + PE-120FV	X										
Container Size	1,2 kg										
Order-No.	1										
Sort of control unit	without	Trucks Pico S-EP 4	Trailers and Semitrailers Pico-tronic T1	Trucks Pico-tronic							
Order-No.	1	2	3	4							
without	0										
at Trucks Pico S-EP 4											
Range of lubrication time		Cycle time									
		0,5 h up to 8 h									
I	1 min. up to 16 min.	Z									
II	2 min. up to 32 min.	T									
at Trailers and Semitrailers Pico-tronic T1											
Range of lubrication time		Cycle time									
		0,5 h up to 8 h	2 min. up to 32 min.	2h up to 32h							
I	1 min. up to 16 min.	1	A	J							
II	2 min. up to 32 min.	2	B	K							
III	2 sec. up to 32 sec.	3	C	L							
at Trucks Pico-tronic											
Range of lubrication time		Cycle time									
		0,5 h up to 8 h	2 min. up to 32 min.	2 h up to 32 h							
I	1 min. up to 16 min.	1	A	J							
II	2 min. up to 32 min.	2	B	K							
III	2 sec. up to 32 sec.	3	C	L							
Range of strokes											
I	1 stroke up to 16 strokes	4	D	M							
II	17 stroke up to 32 strokes	5	E	N							
III	33 stroke up to 48 strokes	6	F	O							
Range of Revolutions No.											
I	1 revolution up to 16 revolutions	7	G	P							
II	10 revolution up to 160 revolutions	8	H	Q							
III	170 revolution up to 320 revolutions	9	I	R							
Special Model	without										
Order-No.	0000										
at Pico-tronic											
with Collective Disturbance Report (Constant Error)										1	
with Ignition Release										2	
at all other Control Units											
without										0	

Central Lubrication Pump Pico



Order-No. for integrated Control unit Pico S-EP 4

Order-No.	Lubrication time	Cycle time
2185G0003T	2 min. up to 32 min.	0,5 h up to 8 h
2158G0003Z	1 min. up to 16 min.	0,5 h up to 8 h

Order Key for integrated Control Unit Pico-tronic

Order-No. _____ 2184 . 9004 . X . 0000

Model of Control Unit	Trucks Pico-tronic
Order-No.	4

at Trucks Pico-tronic			
Range of Lubrication Time	Range of Cycle Time		
	0,5 h up to 8 h	2 min. up to 32 min.	2 h up to 32 h
I 1 min. up to 16 min.	1	A	L
II 2 min. up to 32 min.	2	B	K
III 2 sec. up to 32 sec.	3	C	L
Range of Strokes			
I 1 stroke up to 16 strokes	4	D	M
II 17 stroke up to 32 strokes	5	E	N
III 33 stroke up to 48 strokes	6	F	O
Range of Revolutions-No.			
I 1 rpm up to 16 rpm	7	G	P
II 10 rpm up to 160 rpm	8	H	Q
III 170 rpm up to 320 rpm	9	I	R

Special Model	without
Order-No.	0000

Order Key for integrated Control Unit Pico-tronic T1

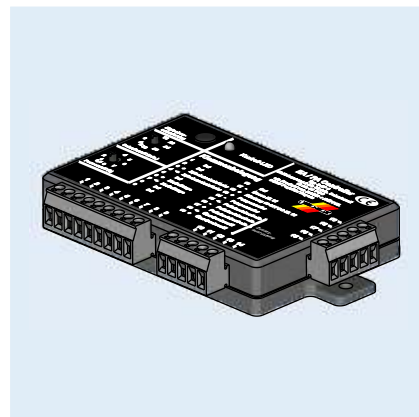
Order-No. _____ 2185 . 900 . 3 . X . 0000

Model of Control Unit	Pico-tronic T1
Order-No.	3

at Trailers and Semitrailers Pico-tronic T1			
Range of Lubrication Time	Range of Cycle Time		
	0,5 h up to 8 h	2 min. up to 32 min.	2h up to 32h
I 1 min. up to 16 min.	1	A	J
II 2 min. up to 32 min.	2	B	K
III 2 sec. up to 32 sec.	3	C	L

Special Model	0000
---------------	------

External Control Unit S-EP 6



Order Key for external Control Unit S-EP 6

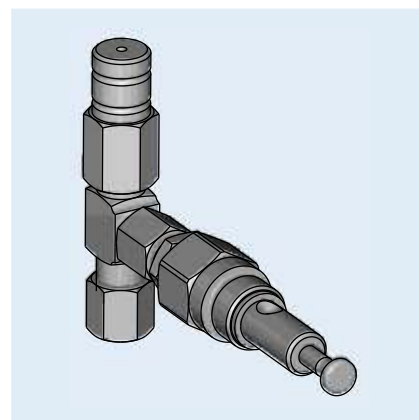
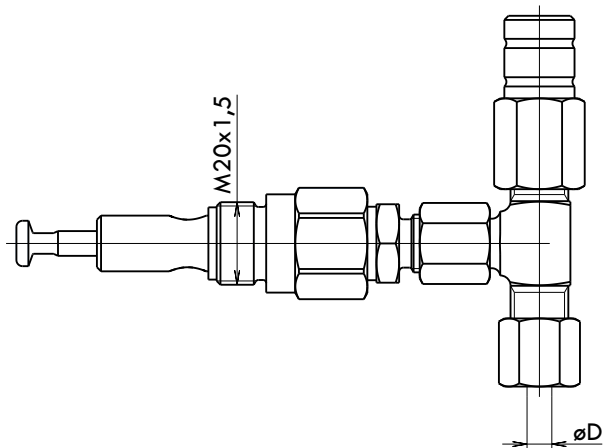
Order-No. _____ 2166 . 9000 . X . X . 00

Mode of Operation		
Control by Time	Range of Lubrication Time	
	1 min. up to 16 min.	1
	2 min. up to 32 min.	2
Control by Strokes		3
Control by revolutions		4

Connector for Special Functions	
Yes	1
No	2

Special Models	00
----------------	----

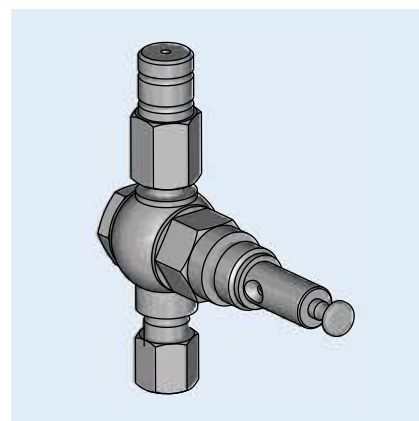
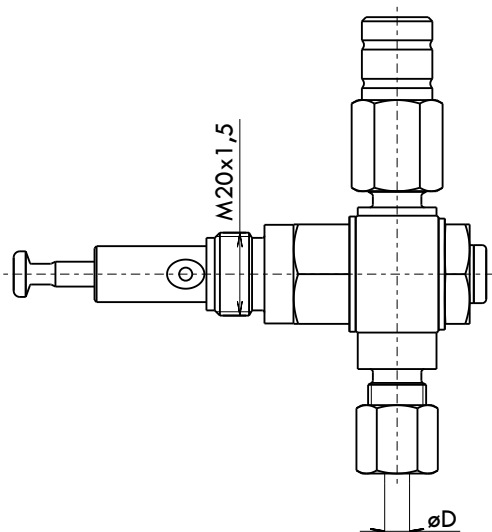
Pump Element PE-120 for electric Pump EP-1



Part-No.	D	Material
2152 990 61 0000	6	Steel
2152 990 61 0001	8	Steel

All parts made of steel are zinc coated and yellow chromated.

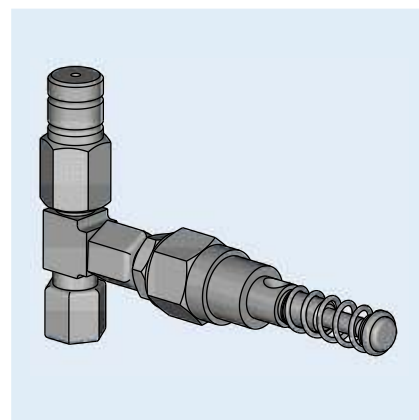
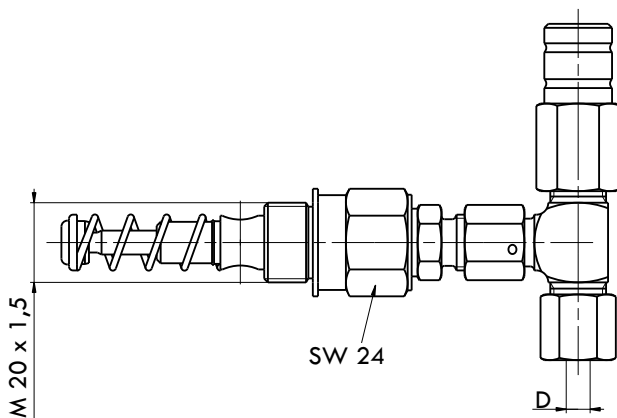
Pump Element PE-120V for electric Pump EP-1



Part-No.	D	Material
2152 990 63 0000	6	Steel
2152 990 63 0001	8	Steel

All parts made of steel are zinc coated and yellow chromated.

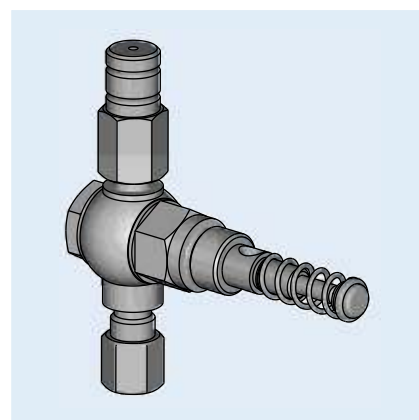
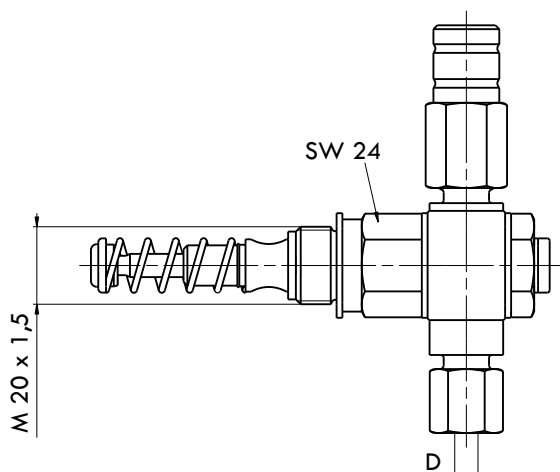
Pump Element PE-120F for Central Lubrication Pump Pico



Part-No.	D	Material
2185 990 61 0000	6	Steel

All parts made of steel are zinc coated and yellow chromated.

Pump Element PE-120FV for Central Lubrication Pump Pico

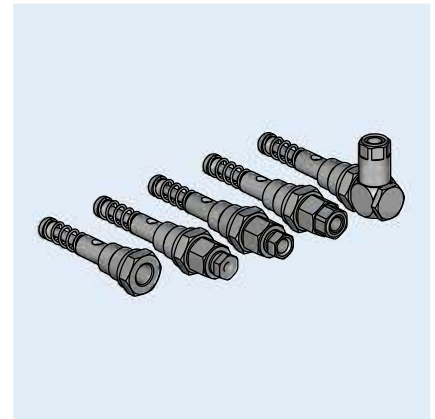
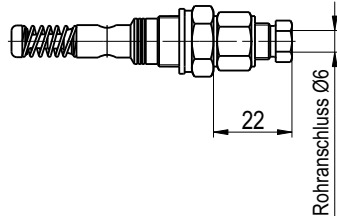


Part-No.	D	Material
2185 990 63 0000	6	Steel

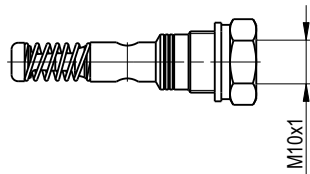
All parts made of steel are zinc coated and yellow chromated.

Pump Element PE-5 up to PE-50 for Central Lubrication Pump Pico

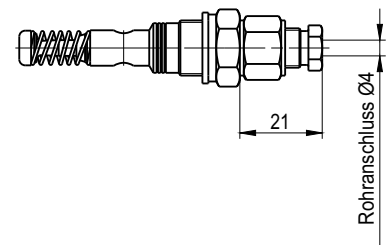
with Cap Screw and Double Cone Olive for Pipes Dia. 6:
(Standard)



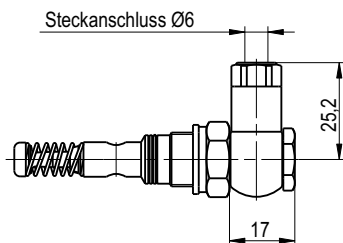
with Threaded Joint M10x1



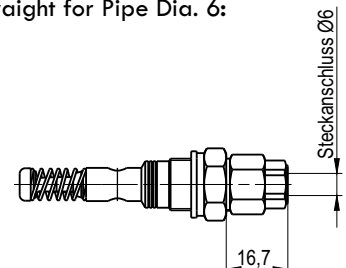
with Cap Screw and Double Cone Olive for Pipe Dia. 4:



with Plug-in Connection 90° for Pipe Dia. 6:



with Plug-in Connection straight for Pipe Dia. 6:



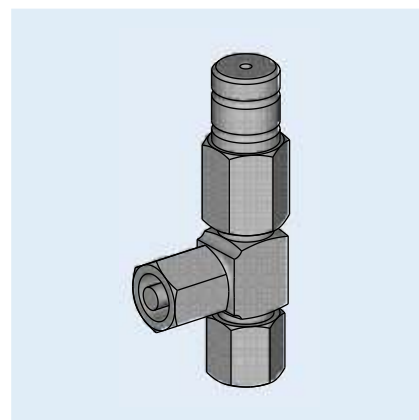
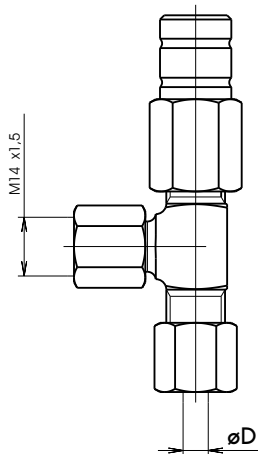
Order Key:

Order-No. _____ 2154 . 9000 . 01

Name	Delivery Quantity/Stroke	
PE-5	5 mm ³	9001
PE-10	10 mm ³	9002
PE-15	15 mm ³	9003
PE-25	25 mm ³	9000
PE-50	50 mm ³	9010

Connection Name	
Threaded Joint M10x1	00
Pipe Connection Dia. 6 with ÜS6 and DKR6	01
Plug-in Connection straight for Pipe Dia. 6	02
Plug-in Connection 90° for Pipe Dia. 6	03
Pipe Connection Dia. 4 with ÜS4 and DKR4	04

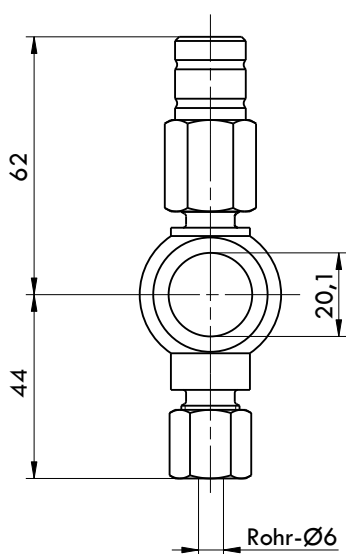
Pressure Relief Valve for PE-120 and PE-120F



Part-No.	D	Material
2152 0062	6	Steel

All parts made of steel are zinc coated and yellow chromated.

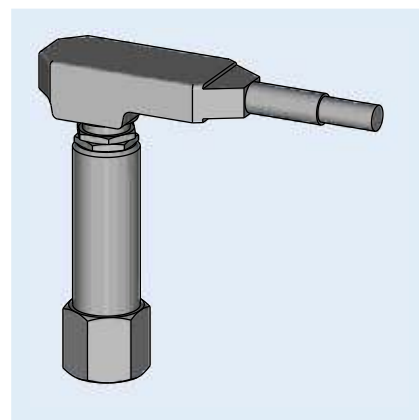
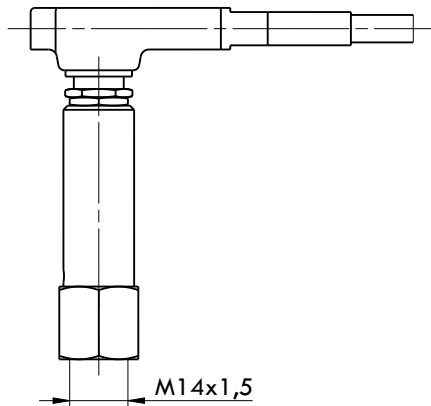
Pressure Relief Valve for PE-120V and PE-120FV



Part-No.	D	Material
2152 0063	6	Steel

All parts made of steel are zinc coated and yellow chromated.

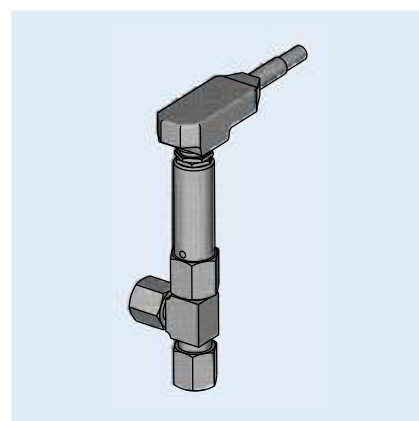
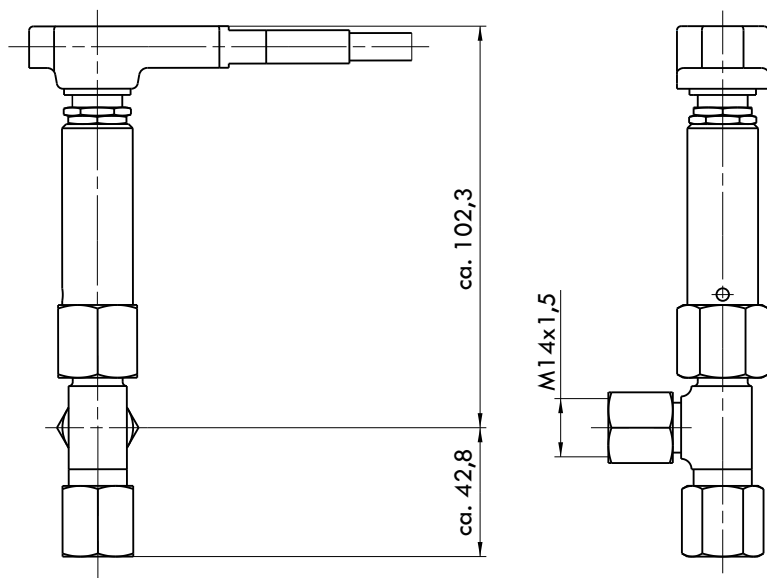
Pressure Relief Valve with micro switch for PE-120 V and PE-120FV



Part-No.	Material
2152 9906 10028	Steel

All parts made of steel are zinc coated and yellow chromated.

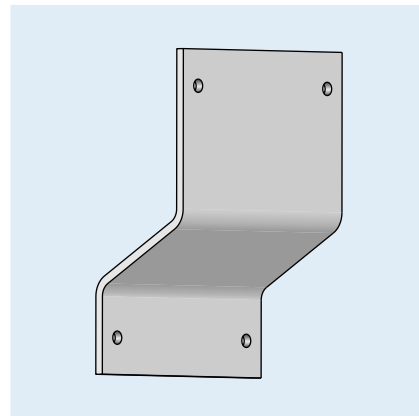
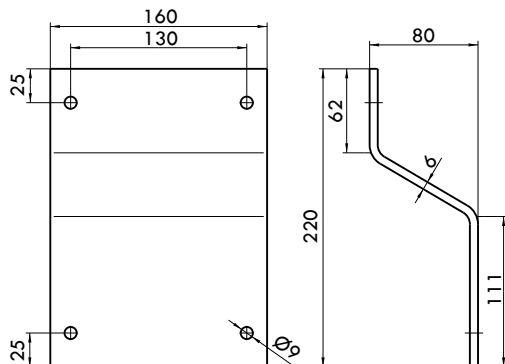
Pressure Relief Valve with mikro switch for PE-120 and PE-120F



Part-No.	Material
2152 99100	Steel

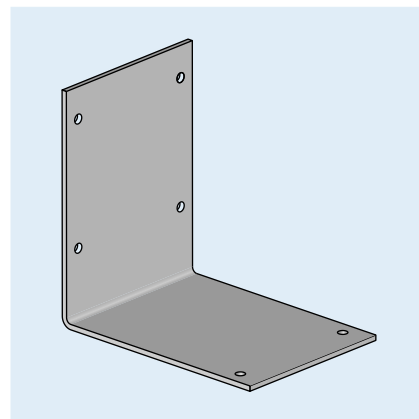
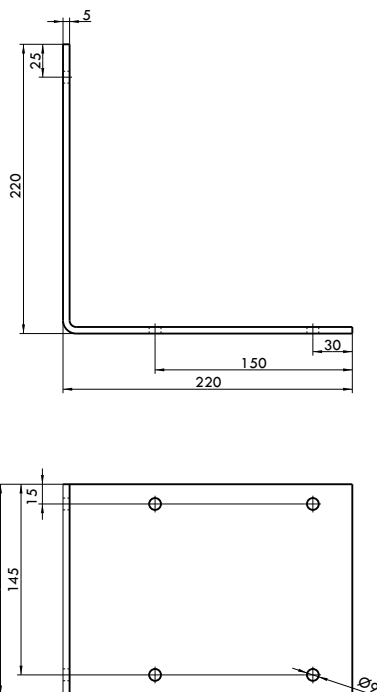
All parts made of steel are zinc coated and yellow chromated.

Mounting Bracket for Electric Pump EP-1



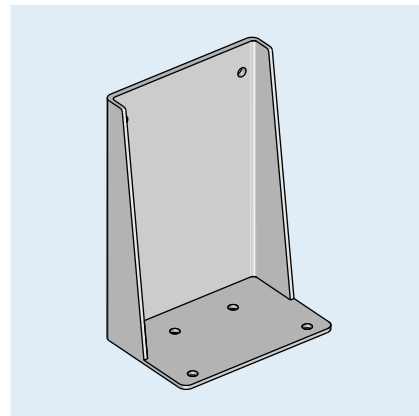
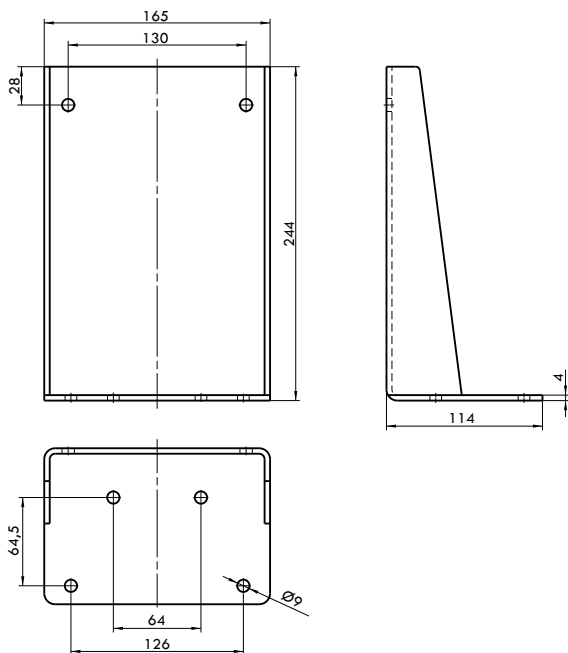
Part-No.	Material
0800500100	Steel zinc coated, yellow chromate

Mounting Plate for Electric Pump EP-1



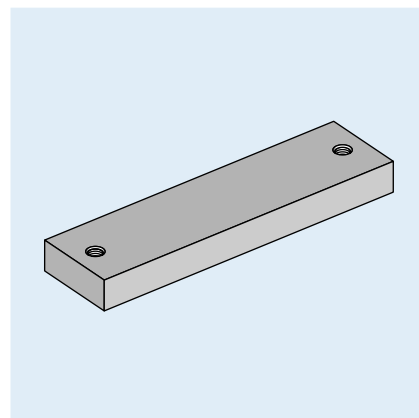
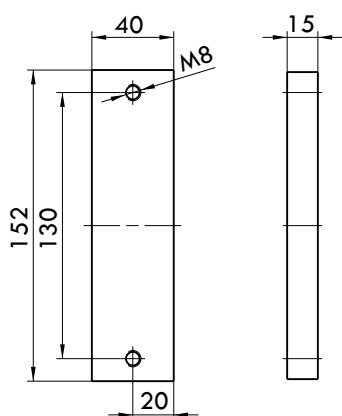
Part-No.	Material
0800500101	Steel zinc coated, yellow chromate

Bracket for Electric pump EP-1



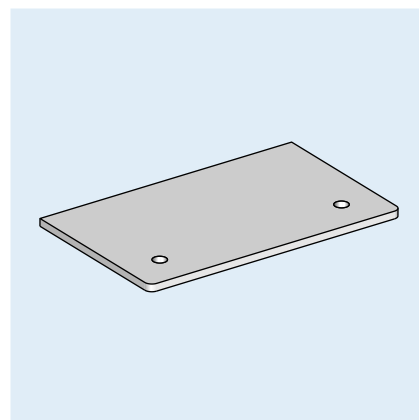
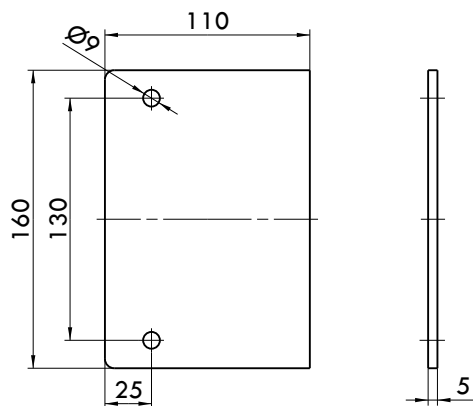
Part-No.	Material
0800800445	Steel zinc coated yellow chromate

Mounting Plate for Electric pump EP-1



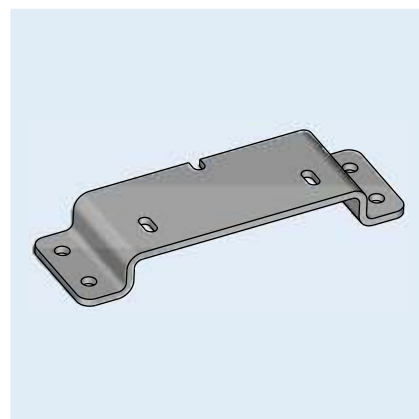
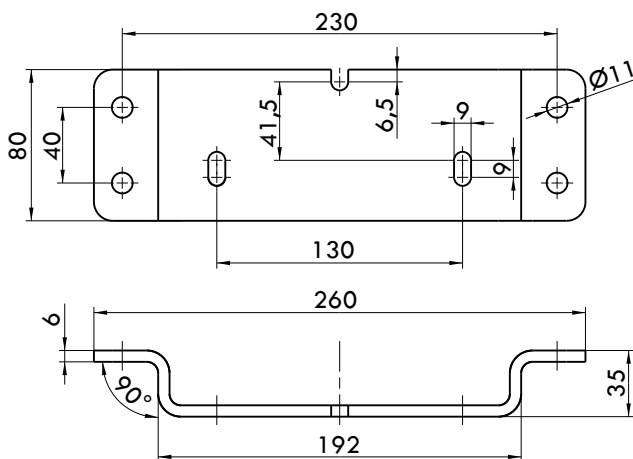
Part-No.	Material
FWZ03605-00	Steel uncoated

Pump Mounting Plate for Electric Pump EP-1



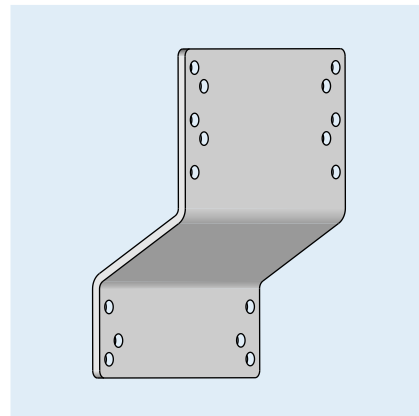
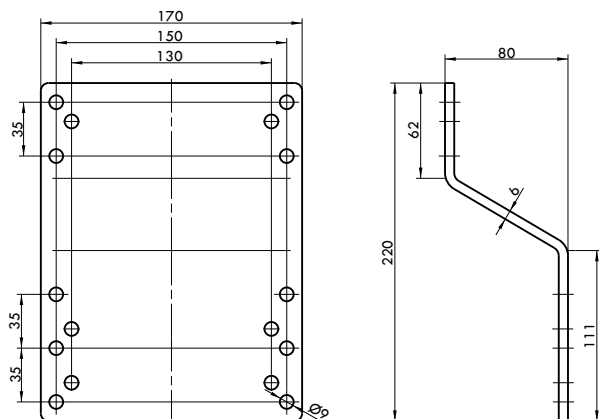
Part-No.	Material
0800800263	Steel uncoated

Mounting Bracket for EP-1 with 8kg Grease-reservoir 1 part



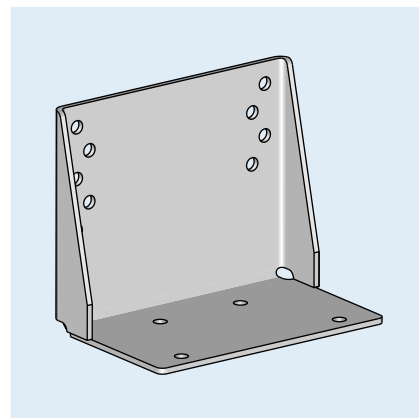
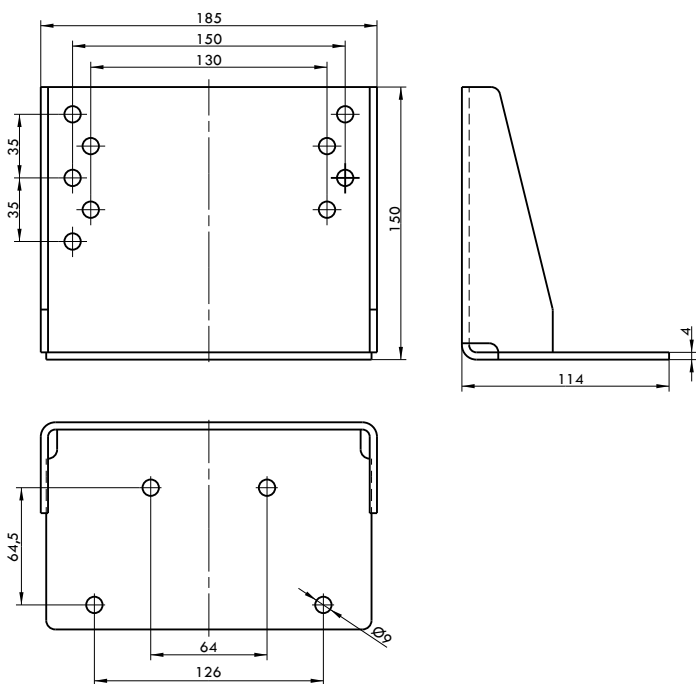
Part-No.	Material
0800800822	Steel zinc coated, yellow chromated

Pump Mounting Plate for Centralized Lubrication Pump Pico



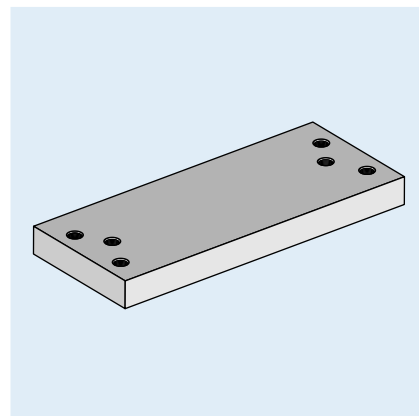
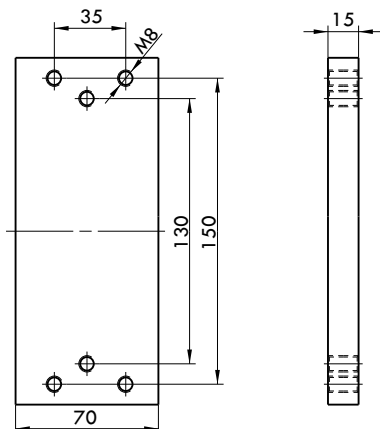
Part-No.	Material
0800800733	Steel zinc coated, yellow chromate

Bracket for Centralized Lubrication Pump Pico



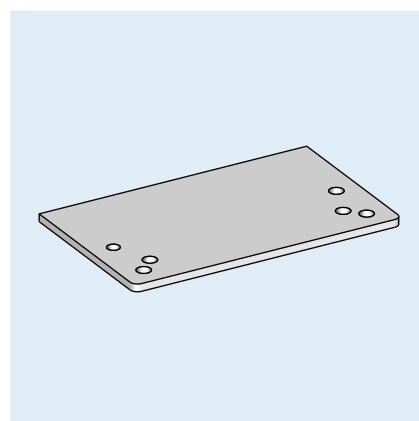
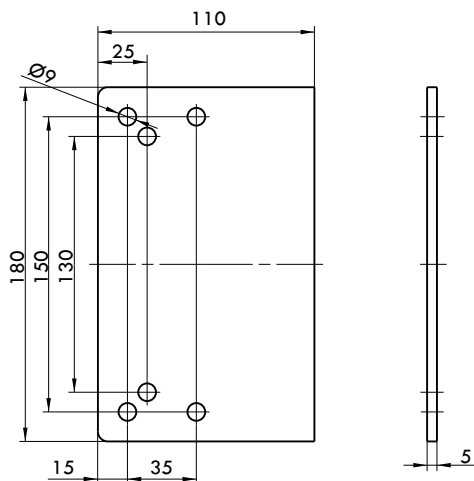
Part-No.	Material
0800800734	Steel zinc coated, yellow chromate

Weld on mounting plate for Centralized Lubrication Pump Pico



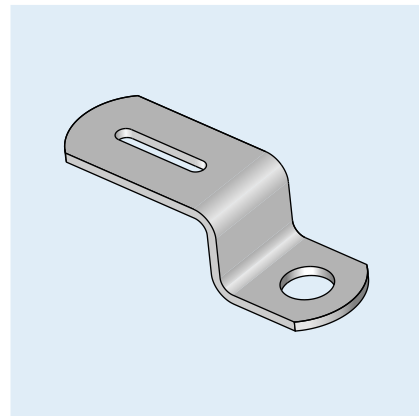
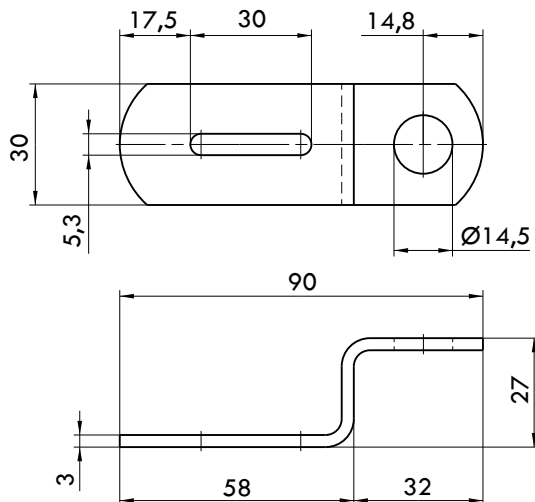
Part-No.	Material
F2185/33-00	Steel uncoated

Mounting Plate for Centralized Lubrication Pump Pico



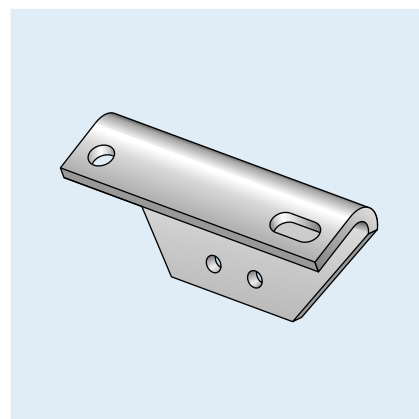
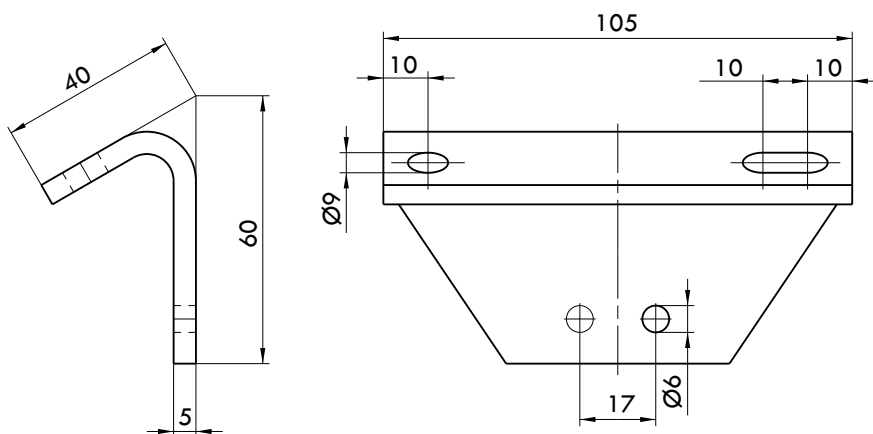
Part-No.	Material
0800800732	Steel uncoated

Mounting Bracket for MX-F Distributor



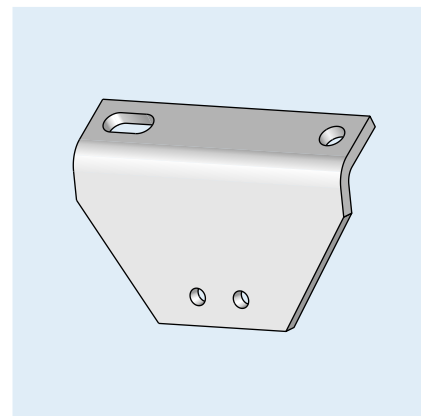
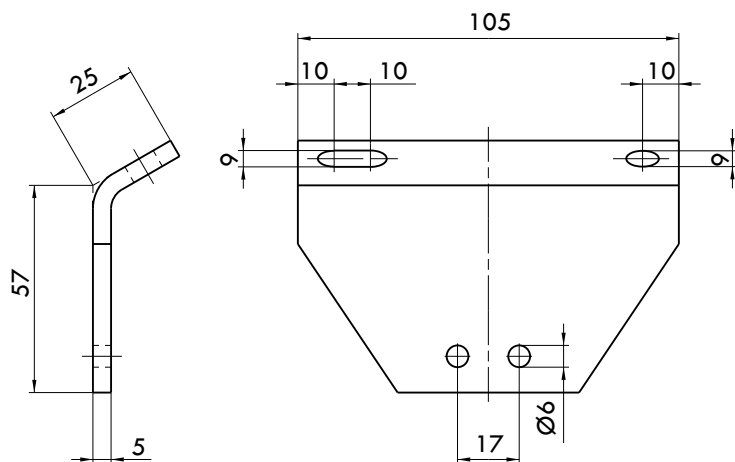
Part-No.	Material
0800800010	Steel zinc coated, yellow chromate

Mounting Bracket for MX-F Distributor



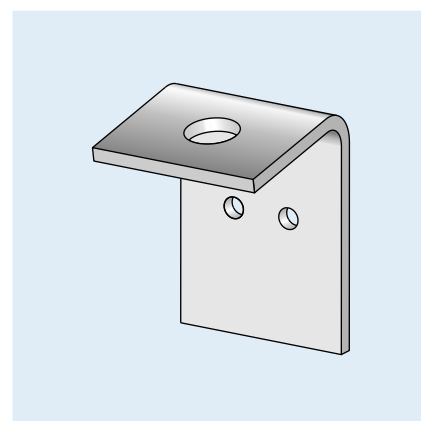
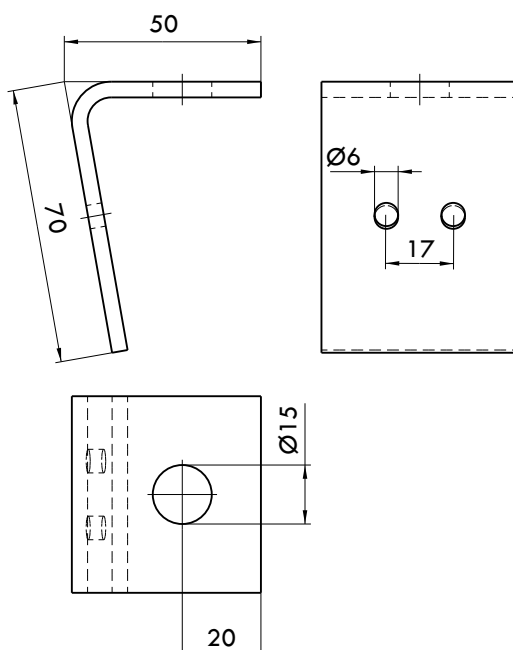
Part-No.	Material
0800800210	Steel zinc coated, yellow chromate

Mounting Bracket for MX-F Distributor



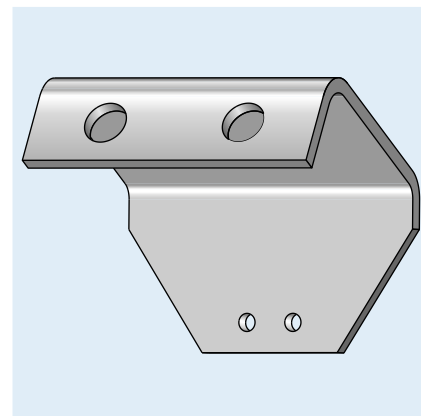
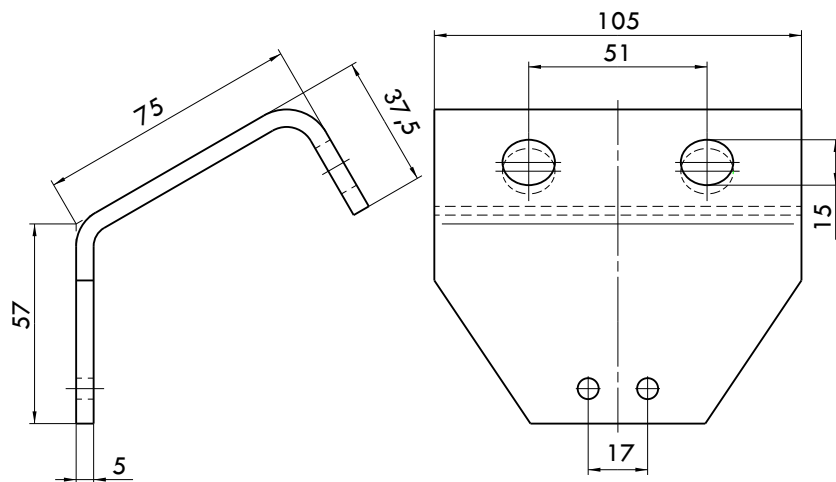
Part-No.	Material
0800800211	Steel zinc coated, yellow chromate

Mounting Bracket for MX-F Distributor



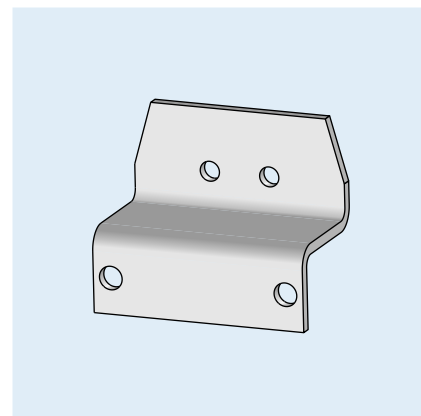
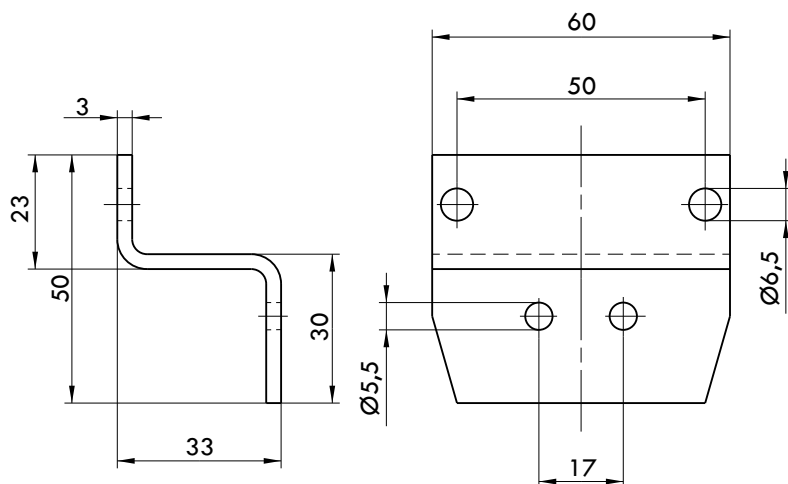
Part-No.	Material
0800800241	Steel zinc coated, yellow chromate

Mounting Bracket for MX-F Distributors



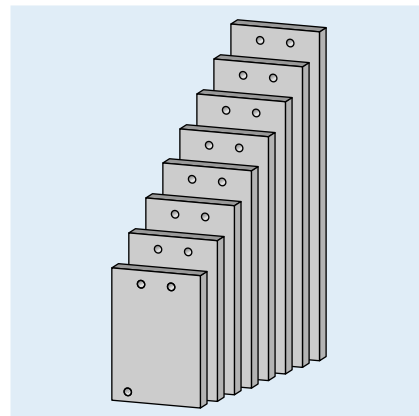
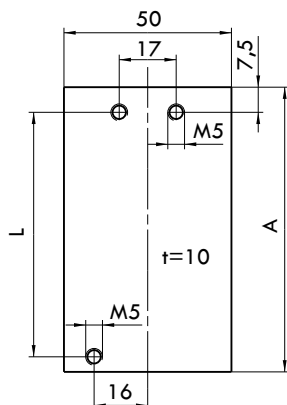
Part-No.	Material
0800800286	Steel zinc coated, yellow chromate

Mounting Bracket for MX-F Distributor



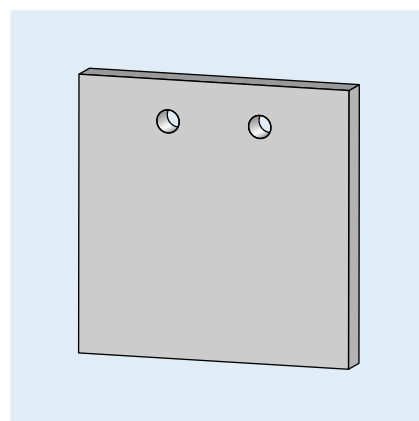
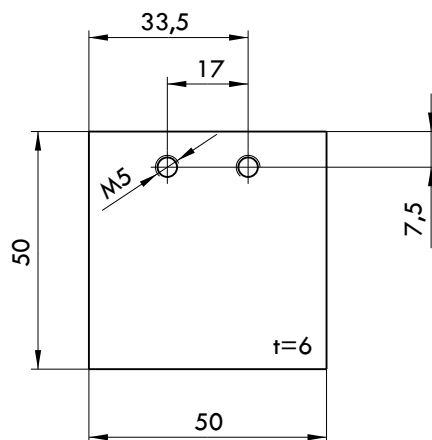
Part-No.	Material
0800800220	Steel zinc coated, yellow chromate

Mounting Plates (welding) for MX-F Distributor



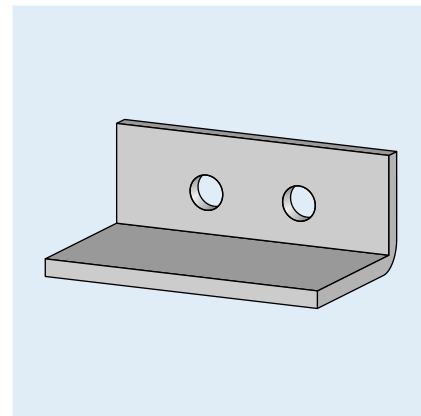
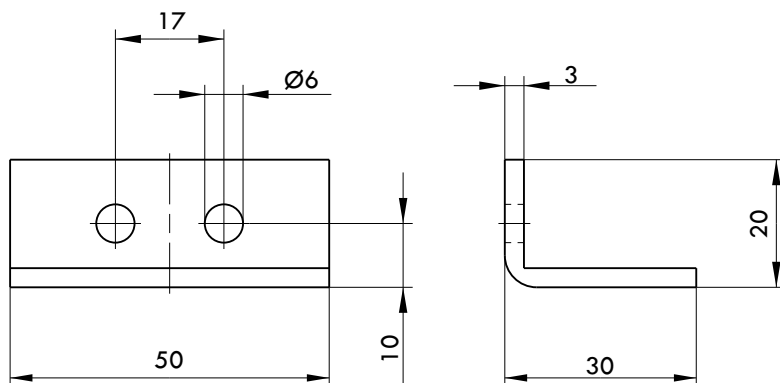
Part-No.	for Distributor MX-F X/X	A	L	Material
FWZ02259-00 001	3/X	70	57,2	Steel
FWZ02259-00 002	4/X	85	72,0	Steel
FWZ02259-00 003	5/X	100	86,7	Steel
FWZ02259-00 004	6/X	115	101,5	Steel
FWZ02259-00 005	7/X	129	116,2	Steel
FWZ02259-00 006	8/X	144	131	Steel
FWZ02259-00 007	9/X	159	145,7	Steel
FWZ02259-00 008	10/X	174	160,5	Steel

Short Mounting Plate (welding) for MX-F Distributors



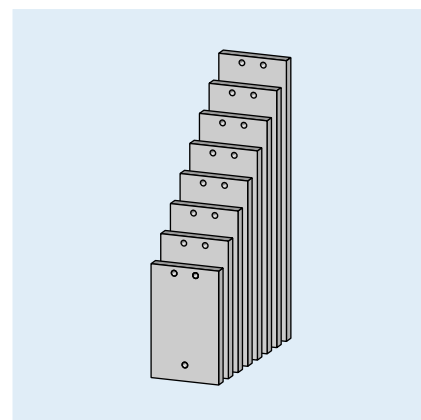
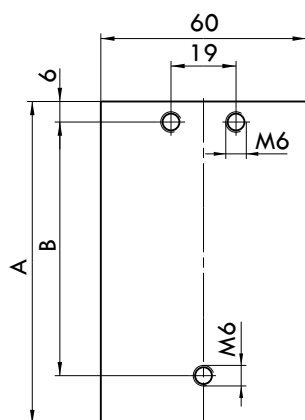
Part-No.	Material
0800800636	Steel zinc coated, yellow chromate

Angle Mounting Plate (welding) for MX-F Distributor



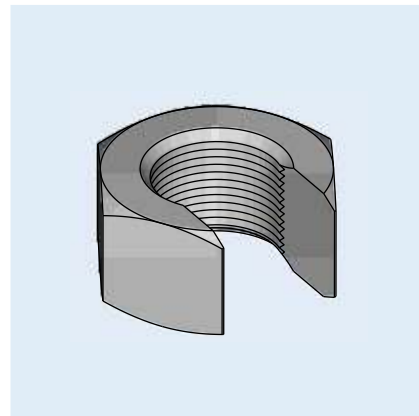
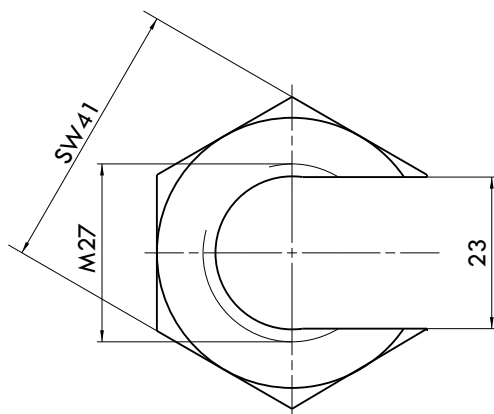
Part-No.	Material
0800800571	Steel zinc coated, yellow chromate

Mounting Plates (welding) for SX-1 Distributors



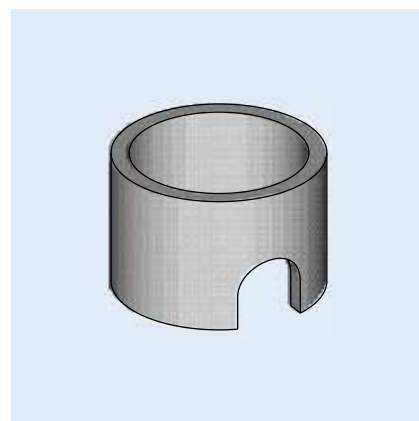
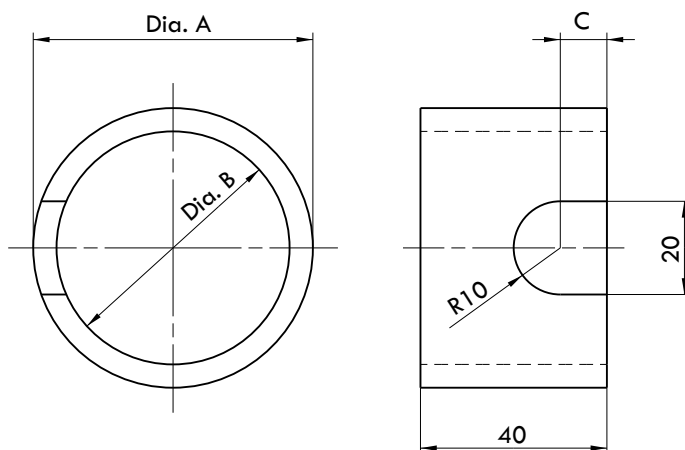
Part-No.	for Distributor SX-1 X/X	A	B	Material
FWZ02259-02 001	3	94,1	74,1	Steel
FWZ02259-02 002	4	113,8	93,8	Steel
FWZ02259-02 003	5	133,5	113,5	Steel
FWZ02259-02 004	6	153,2	133,2	Steel
FWZ02259-02 005	7	172,9	152,9	Steel
FWZ02259-02 006	8	192,6	172,6	Steel
FWZ02259-02 007	9	212,3	192,3	Steel
FWZ02259-02 008	10	232,0	212,0	Steel

Weld-on Nut



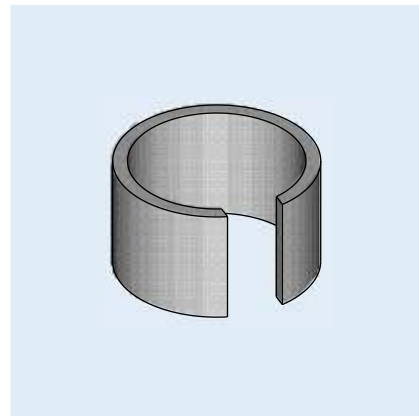
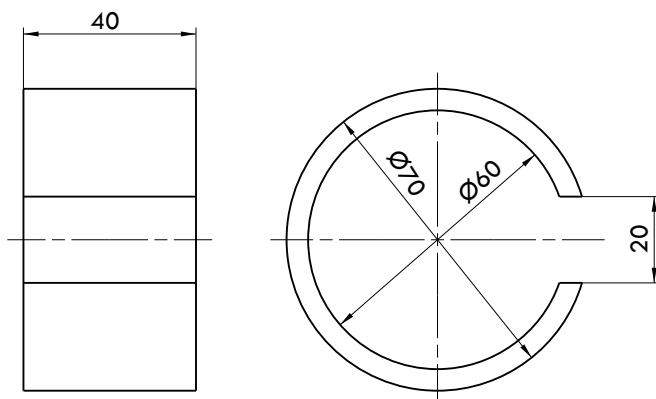
Part-No.	Material
FWZ02617-00	Steel

Protection Ring



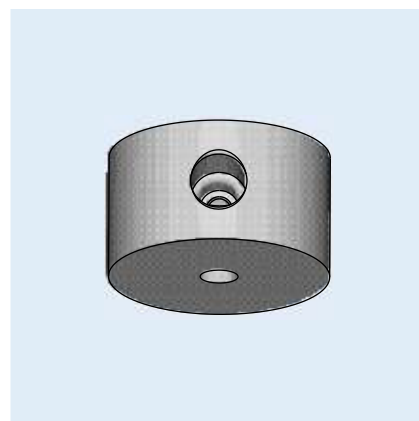
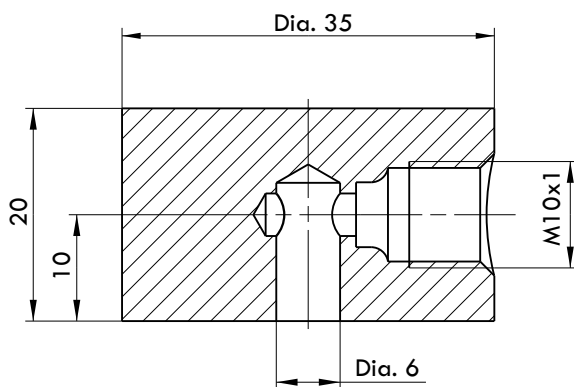
Part-No.	Dia. A	Dia. B	C	Material
FWZ02902-01	60	50	10	Steel
FWZ02902-02	90	78	13	Steel

Protector for Lubrication Points



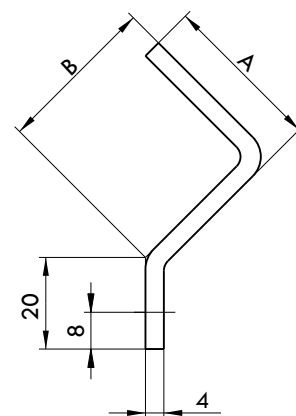
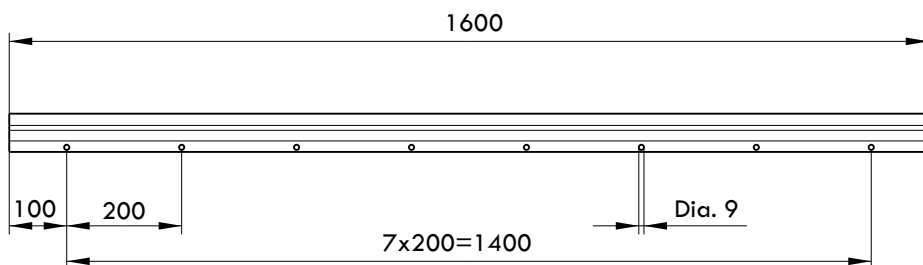
Part-No.	Material
FWZ02902-00	Steel undercoated

Weld-on Piece for connecting the Lubrication Point



Part-No.	Material
FWZ03326-00	Steel

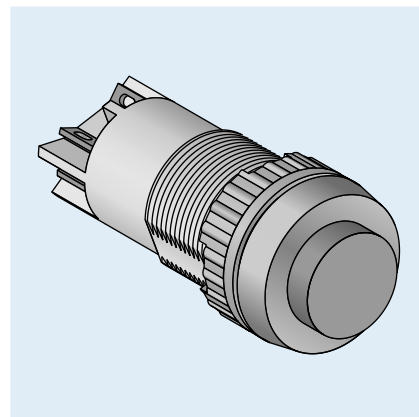
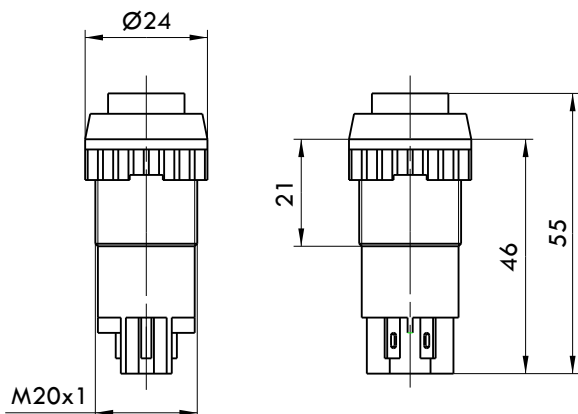
Protctor for Pipes



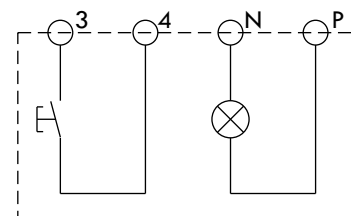
Part-No.	A	B	Material
0800800736	30	30	Steel
0800800628	35	35	Steel

All Parts made of Steel are Zinc coated and yellow chromated.

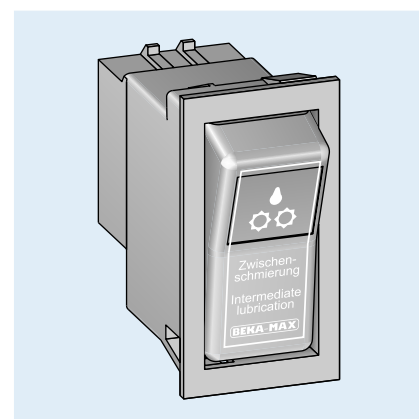
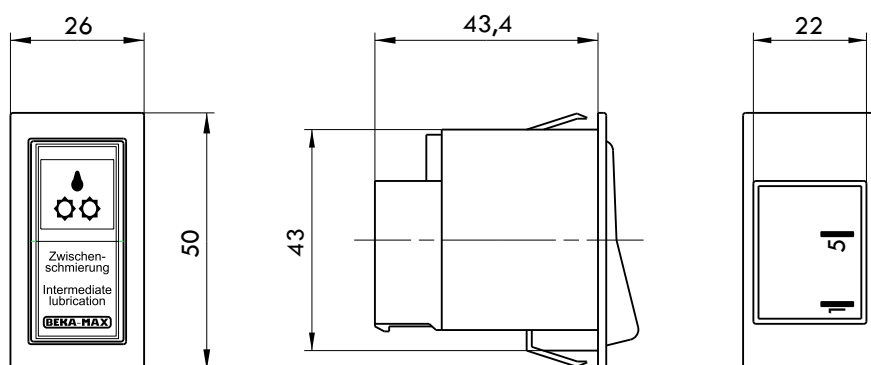
Push Button Light (including Sticker)



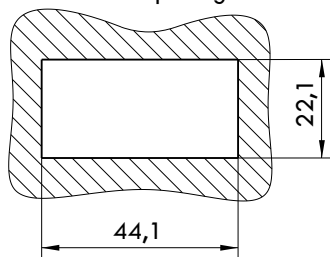
Part-No.	Voltage	Colour	Material
100 091 051	12V	green	Plastics
100 091 050	24V	green	Plastics



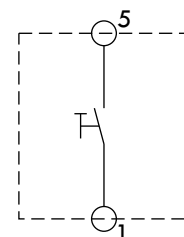
**Intermediate Lube Button
(without Signal Lamp, inclusive Sticker)**



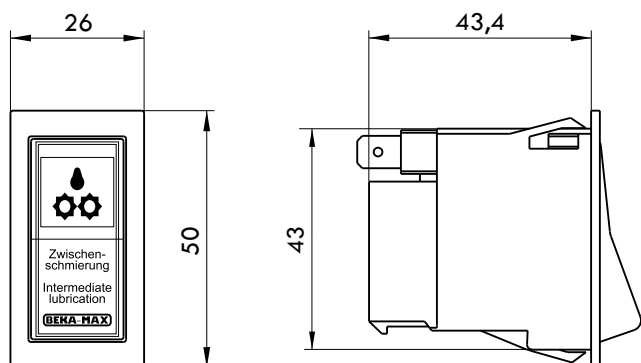
Installation Opening:



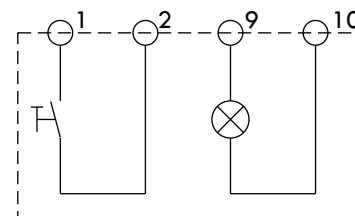
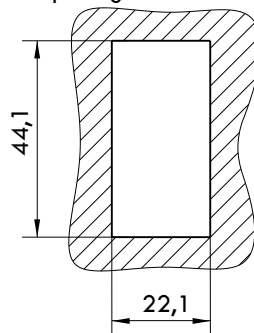
Part-No.	Material
1000950017	Plastic



Intermediate Lube Button (with Signal Lamp)

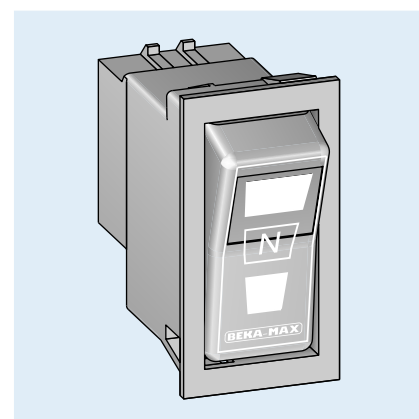
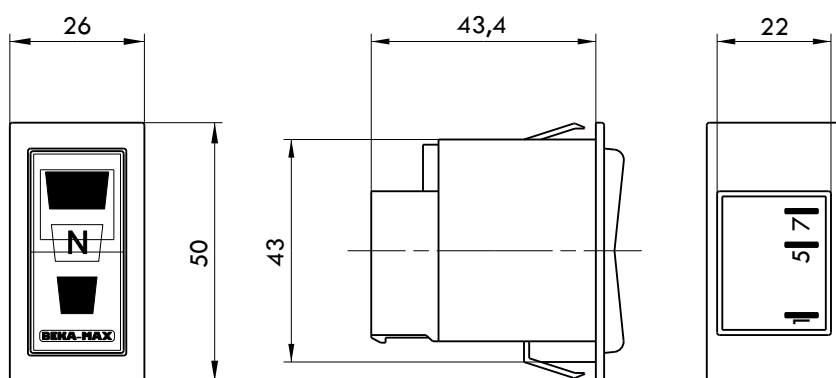


Installations
Opening:

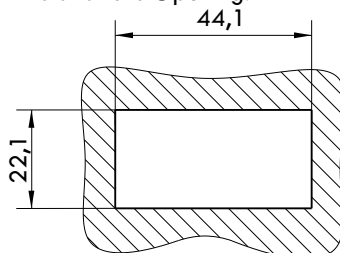


Part-No.	Voltage	Colour	Material
1000 950 023	12V	green	Plastic
1000 950 024	24V	green	Plastic
1000 950 019	12V	red	Plastic
1000 950 020	24V	red	Plastic

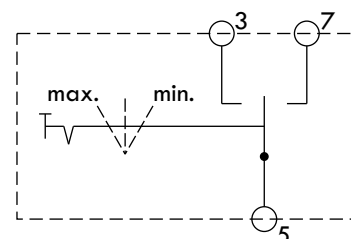
Selective Lube Button depending on Working Conditions



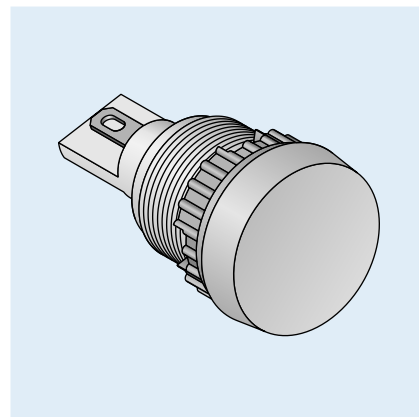
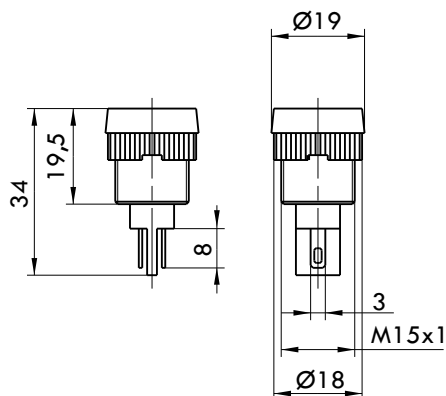
Installations Opening:



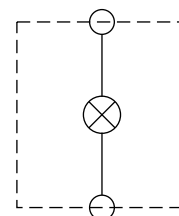
Part-No.	Material
1000950018	Plastic



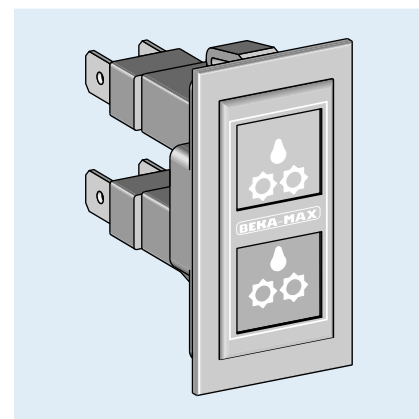
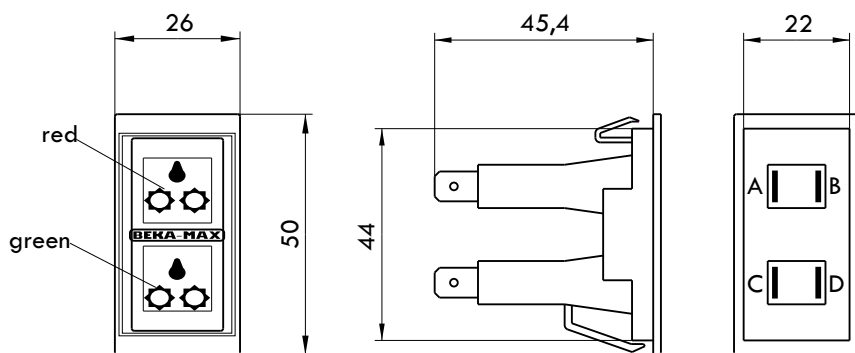
Signal Lamp



Part-No.	Voltage	Colour	Material
100 091 300	12V	green	Plastic
100 091 310	24V	green	Plastic
100 091 305	12V	red	Plastic
100 091 320	24V	red	Plastic

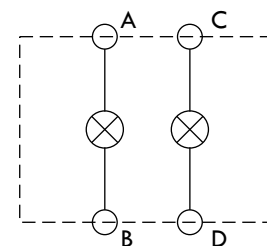
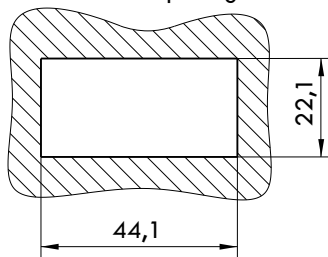


Signal Lamp

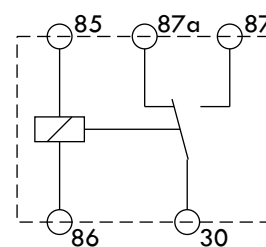
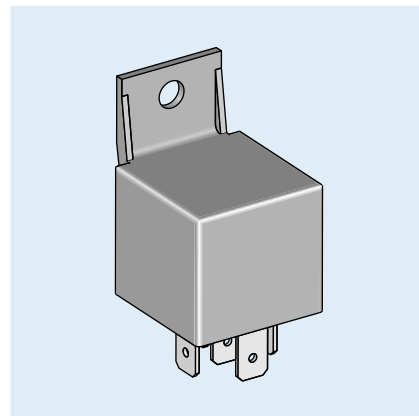
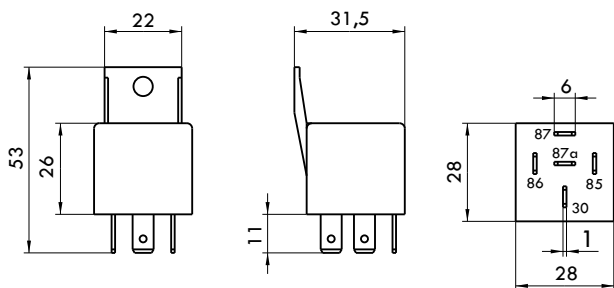


Part-No.	Voltage	Material
1000 950 021	12V	Plastic
1000 950 022	24V	Plastic

Installations Opening:

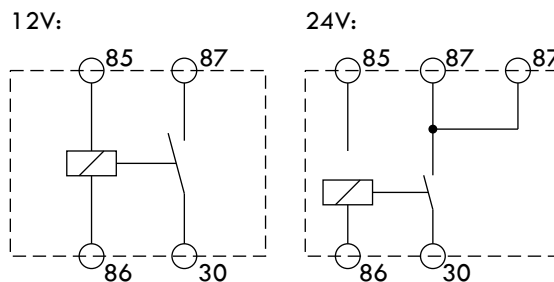
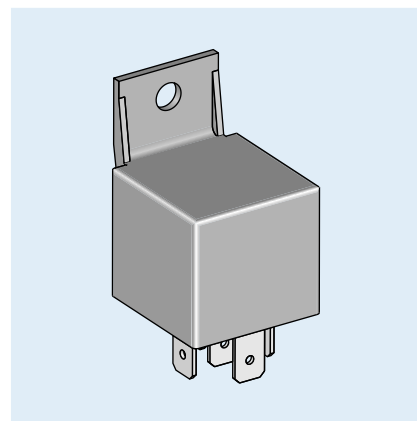
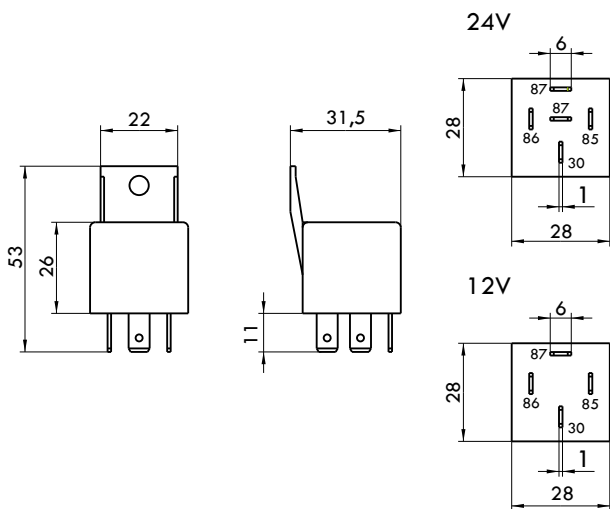


Small Relay 1 Variator



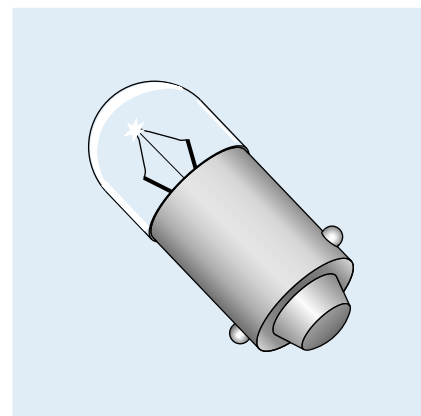
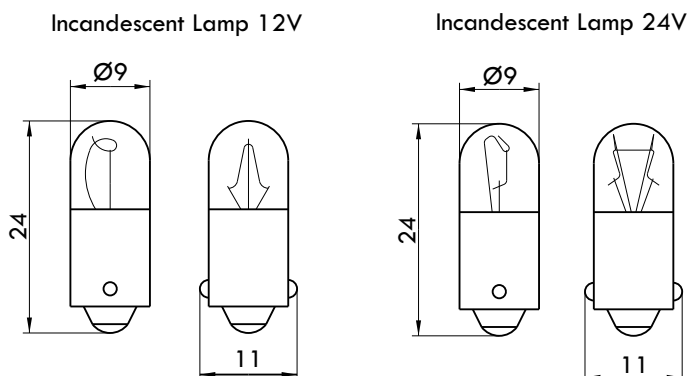
Part-No.	Voltage	Amprage
05 000 400 013	12V	20A
05 000 400 014	24V	20A

Small Relay 1 Closer



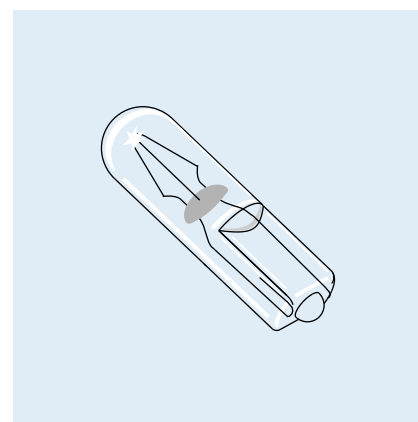
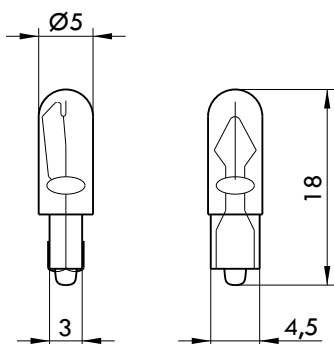
Part-No.	Voltage	Amprage
100 091 397	12V	30A
100 091 430	24V	20A

Incandescent Lamps



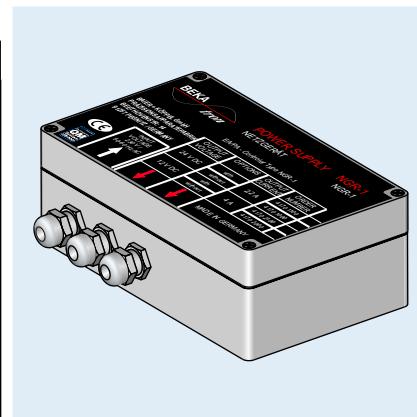
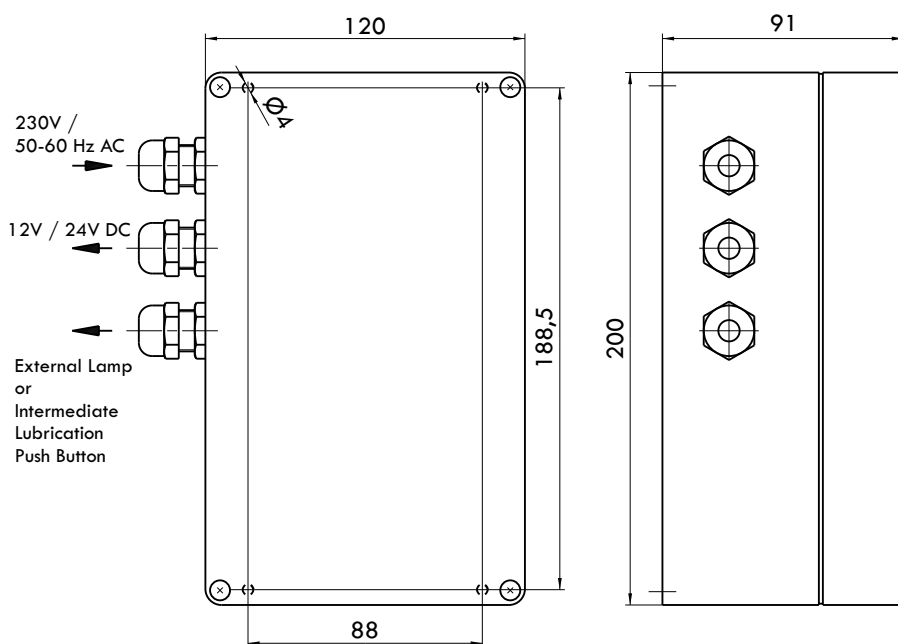
Part-No.	Voltage	Fits the following:	
		Known as	Part-No.
100 091 551	12V	Light Push Button	100091051
100 091 550	24V	Light Push Button	100091050

Incandescent Lamps

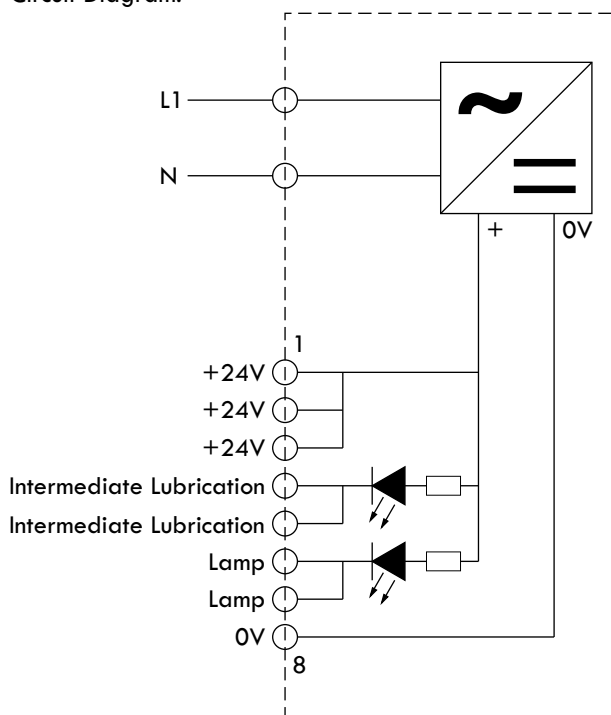


Part-Nr.	Voltage	Fits the following:	
		Known as:	Part-No.
100 091 561	12V	Intermediate Button	1000950023
	12V	Intermediate Button	1000950019
	12V	Signal Light	100091300
	12V	Signal Light	100091305
	12V	Signal Light	1000950021
100 091 560	24V	Intermediate Button	1000950020
	24V	Intermediate Button	100091050
	24V	Signal Light	100091310
	24V	Signal Light	100091320
	24V	Signal Light	1000950022

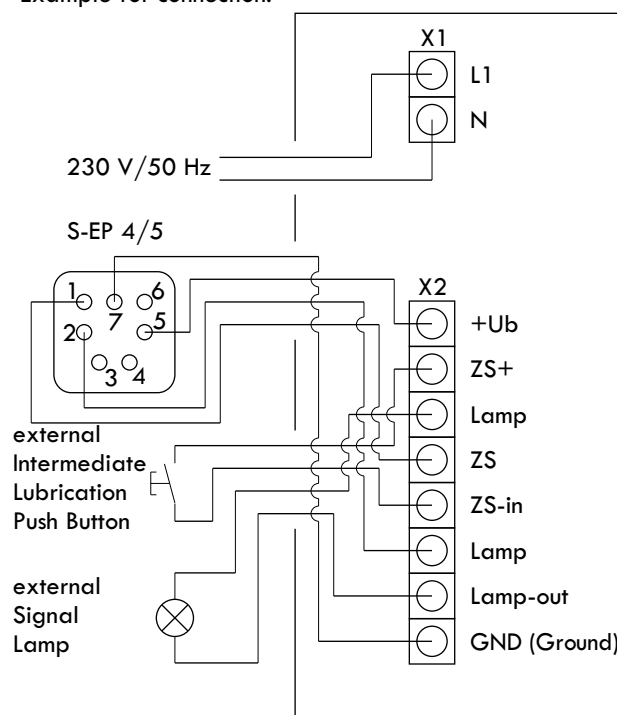
Power Supply NGR-1



Circuit Diagram:

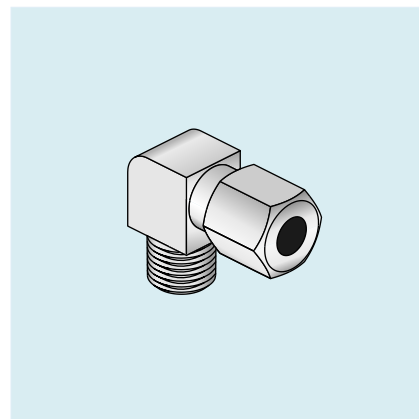
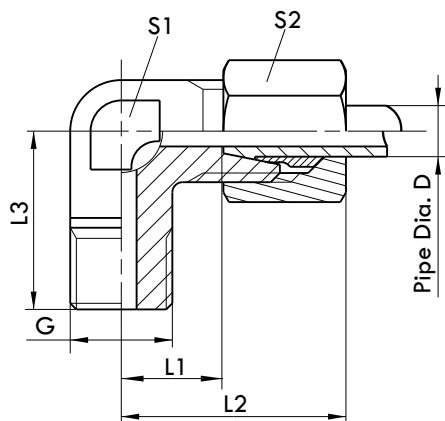


Example for connection:



Part-No.	Voltage	Amprage	Possibility for Connect a Signal Lamp or a Intermediate Lubrication Push Button
4170 2100	12V	4 A	with
4170 2000	12V	4 A	without
4170 1100	24V	2,2 A	with
4170 1000	24V	2,2 A	without

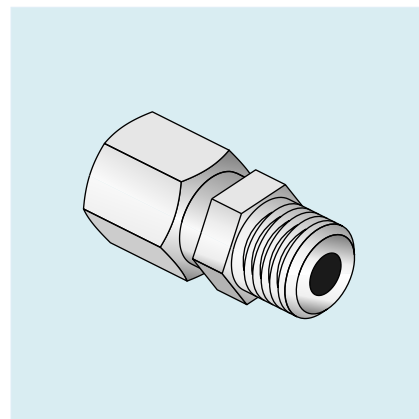
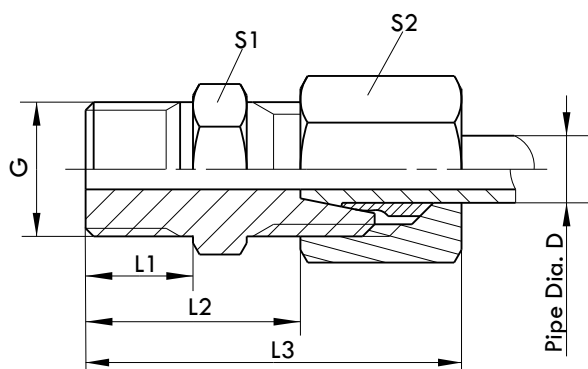
Angular Couplings



Part-No.	G	L1	Approx. L2	L3	S1	S2	Pipe Dia. D	Material
0401 2210 406	M6k	11	21	17	9	10	4LL	Steel
0401 2210 506	M8x1k	11	21	17	9	10	4LL	Steel
0401 2210 513	M8x1k	11	21	17	9	10	4LL	1.4751
0401 2210 306	M10x1k	11	21	17	11	10	4LL	Steel
0401 2210 613	R1/8"k	11	21	18	11	10	4LL	Steel
0401 2200 406	M6k	9,5	21	17	11	12	6LL	Steel
0401 2200 413	M6k	9,5	21	17	11	12	6LL	1.4305
0401 2200 506	M8x1k	9,5	21	17	11	12	6LL	Steel
0401 2200 513	M8x1k	9,5	21	17	11	12	6LL	1.4305
0401 2200 306	M10x1k	9,5	21	17	11	12	6LL	Steel
0401 2200 313LL	M10x1k	9,5	21	17	11	12	6LL	1.4305
0401 2201 006	M10x1k	12	27	20	12	14	6L	Steel
0401 2220 606	R1/8"k	11,5	23	20	12	14	8LL	Steel
0401 2200 613LL	R1/8"k	10	22	17	11	12	6LL	1.4305
0401 2200 806	R1/4"k	16	31	27	14	17	6S	Steel
0401 2200 813	R1/4"k	16	31	27	14	17	6S	1.4305
0401 2220 306	M10x1k	11,5	23	20	12	14	8LL	Steel
0401 2220 313	M10x1k	11,5	23	20	12	14	8LL	1.4305
0401 2200 606LL	R1/8"k	10	22	17	11	12	6LL	Steel
0401 2220 613	R1/8"k	11,5	23	20	12	14	8LL	1.4305
0401 2220 806	R1/4"k	14	29	27	14	17	8L	Steel
0401 2220 813	R1/4"k	14	29	27	14	17	8L	1.4305

All Parts made of steel are zinc coated and yellow chromated.

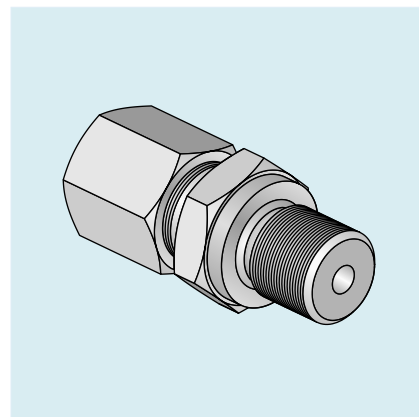
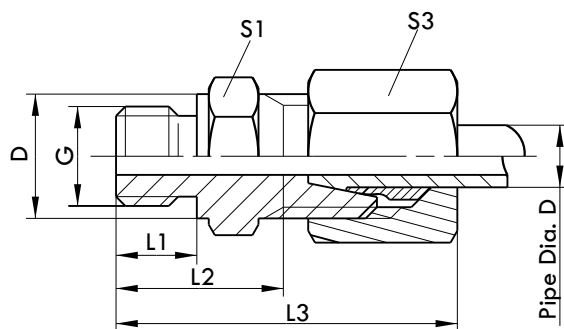
Straight Coupling with Conical Thread



Part-No.	G	L1	L2	Approx. L3	S1	S2	Pipe Dia. D	Material
0401 2010 406	M6k	8	16	26	10	10	4LL	Steel
0401 2010 506	M8x1k	8	16	26	10	10	4LL	Steel
0401 2010 513	M8x1k	8	16	26	10	10	4LL	1.4571
0401 2010 306	M10x1k	8	14,5	26	11	12	4LL	Steel
0401 2010 606	R1/8"k	8	16	26	11	10	4LL	Steel
0401 2000 406	M6k	8	14,5	26	11	12	6LL	Steel
0401 2000 413	M6k	8	14,5	26	11	12	6LL	1.4571
0401 2003 906	M7x1k	8	14,5	26	11	12	6LL	Steel
0401 2000 506	M8x1k	8	14,5	26	11	12	6LL	Steel
0401 2000 513	M8x1k	8	14,5	26	11	12	6LL	1.4571
0401 2000 306	M10x1k	8	14,5	26	11	12	6LL	Steel
0401 2000 313	M10x1k	8	14,5	26	11	12	6LL	1.4305
0401 2000 606	R1/8"k	8	14,5	26	11	12	6LL	Steel
0401 2000 613	R1/8"k	8	14,5	26	11	12	6LL	1.4305
0401 2000 806	R1/4"k	11,5	23,5	40	17	17	6S	Steel
0401 2020 306	M10x1k	8	16,5	28	12	14	8LL	Steel
0401 2020 313	M10x1k	8	16,5	28	12	14	8LL	1.4305
0401 2020 806	R1/4"k	12	20	35	17	17	8L	Steel

All Parts made of steel are zinc coated and yellow chromated.

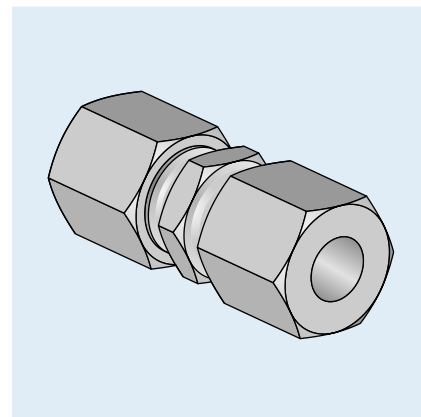
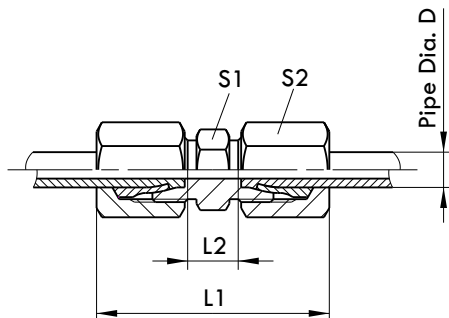
Straight Couplings with Straight Thread



Part-No.	G	L1	L2	Approx. L3	S1	S2	D	Pipe Dia. D	Material
0401 2010 913	G1/8"	8	16	28	14	12	14	4LL	1.4571
0401 2000 206	M10x1	8	16,5	31	14	14	14	6L	Steel
0401 2000 213	M10x1	8	16,5	31	14	14	14	6L	1.4571
0401 2000 906	G1/8"	8	16	28	14	12	14	6LL	Steel
0401 2000 913LL	G1/8"	8	16	28	14	12	14	6LL	1.4571
0401 2001 006L	G1/4"	12	22	37	19	14	18	6L	Steel
0401 2001 006	G1/4"	12	25	40	19	17	18	6S	Steel
0401 2001 013	G1/4"	12	25	40	19	17	18	6S	1.4571
0401 2001 406	G3/8"	12	23,5	38	22	14	22	6L	Steel
0401 2020 213	M10x1	12	22	37	17	17	17	8L	1.4571
0401 2020 906	G1/8"	8	18	29	14	14	14	8LL	Steel
0401 2020 913	G1/8"	8	18	29	14	14	14	8LL	1.4571
0401 2021 006	G1/4"	12	22	37	19	17	18	8L	Steel
0401 2021 013	G1/4"	12	22	37	19	17	18	8L	1.4571
0401 2021 006S	G1/4"	12	27	42	19	19	18	8S	Steel
0401 2021 406	G3/8"	12	23,5	38	22	17	22	8L	Steel
0401 2021 413	G3/8"	12	23,5	38	22	17	22	8L	1.4571

All Parts made of steel are zinc coated and yellow chromated.

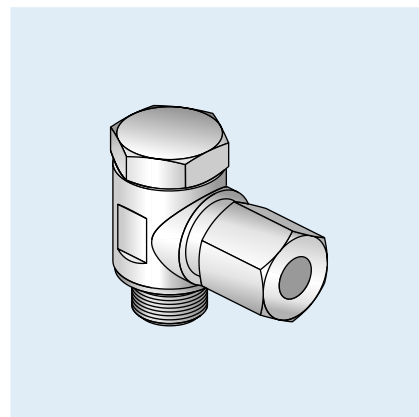
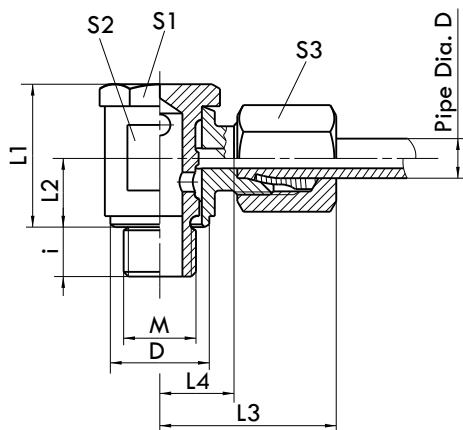
Staight Couplings (Pipe Connectors)



Part-No.	Approx. L1	L2	S1	S2	Pipe Dia. D	Material
0401 3600 106	31	12	9	10	4LL	Steel
0401 3600 306	32	9	11	12	6LL	Steel
0401 3600 313	39	9	11	12	6LL	1.4571
0401 3601 006	39	10	12	14	6L	Steel
0401 3602 006	45	16	14	17	6S	Steel
0401 3600 406	35	12	12	14	8LL	Steel
0401 3601 106	40	11	14	17	8L	Steel
0401 3602 106	47	18	17	19	8S	Steel

All Parts made of steel are zinc coated and yellow chromated.

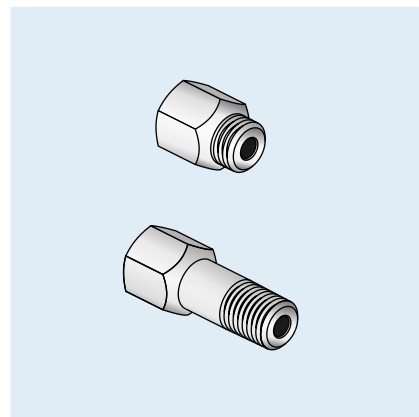
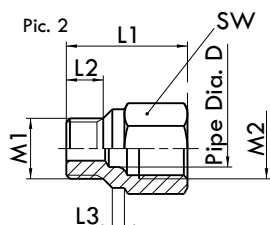
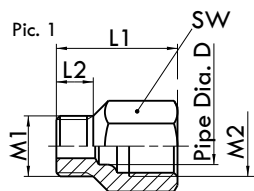
Banjo Assembly



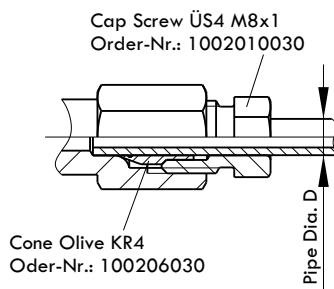
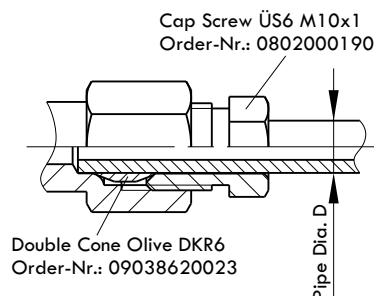
Part-No.	M	L1	L2	Approx. L3	L4	i	S1	S2	S3	D	Pipe Dia. D	Material
0401 3210 206	M10x1	20	9,5	22	10	6	14	14	12	13	4LL	Steel
0401 3210 706	M8x1	18	8	21	11,5	6	14	14	10	13	4LL	Steel
0401 3200 706LL	M8x1	20	9,5	22	10	6	14	14	12	13	6LL	Steel
0401 3200 206LL	M10x1	20	9,5	22	10	6	14	14	12	13	6LL	Steel
0401 3200 206	M10x1	22	10	26	11,5	6	14	17	14	14,5	6L	Steel
0401 3200 906	G1/8	22	10	26	11,5	6	14	17	14	14,5	6L	Steel
0401 3201 006	G1/4	26	12,5	29	14,5	9	19	19	17	18	6S	Steel
0401 3220 206LL	M10x1	21,5	10	23	11	6	14	14	14	13	8LL	Steel
0401 3220 706N	M8x1	21,5	10	23	11	6	14	14	14	13	8LL	Steel
0401 3220 906	G1/8	21,5	10	23	11	6	14	14	14	13	8LL	Steel
0401 3221 006	G1/4	26	12,5	28	13	9	19	19	17	18	8L	Steel

All Parts made of steel are zinc coated and yellow chromated.

Extension Piece



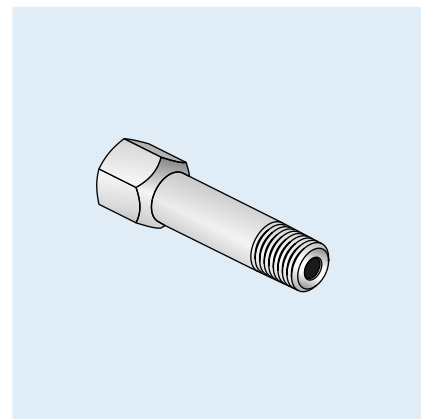
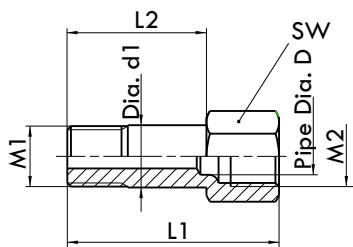
It is also possible to connect the lubrication pipes with an extension piece direct.



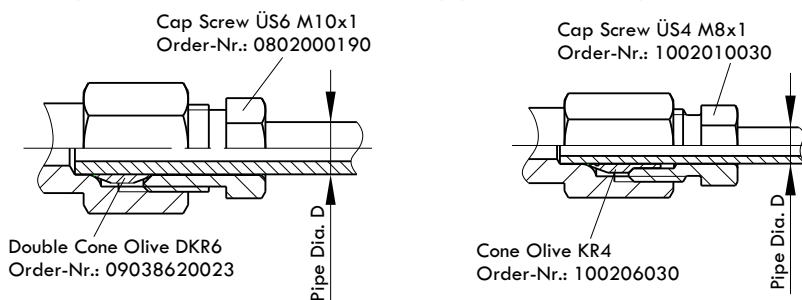
Part-No.	M1	M2	L1	L2	L3	SW	Pipe Dia. D	Material	Pic.
0401 1600 206	M10x1k	M10x1	21	6	--	13	6	Steel	1
0401 1600 106	M8x1k	M10x1	21	6	--	13	6	Steel	1
0401 1600 506	M6k	M10x1	24	6	--	13	6	Steel	1
0401 1600 406	M8k	M10x1	21	6	--	13	6	Steel	1
0401 1610 106	M12x1k	M10x1	21	8,5	--	13	6	Steel	1
0401 1600 906	M10k	M10x1	21	6	--	13	6	Steel	1
0401 1610 006	M10x1k	M10x1	26	6	--	13	6	Steel	1
1002 1000 301k	M6k	M8x1	20	6	--	11	4	Steel	1
1002 1000 304k	M8x1k	M8x1	17	7,4	--	11	4	Steel	1
1002 1000 306k	M10x1k	M8x1	16	7,4	--	11	4	Steel	1
0401 1610 306	M10x1k	M10x1	17,5	6	--	13	6	Steel	1
0401 1600 213	M10x1k	M10x1	21	6	--	13	6	1.4305	1
0401 1601 406	UNF 1/4"-28	M10x1	24	6	2	13	6	Steel	2
0401 1601 306	UNEF 1/4"-32	M10x1	24	6	4	13	6	Steel	2
0401 1600 306	R1/8"k	M10x1	21	6	2	13	6	Steel	2
0401 1600 313	R1/8"k	M10x1	21	6	2	13	6	1.4305	2

All Parts made of steel are zinc coated and yellow chromated.

Extension Piece



It is also possible to connect the lubrication pipes to extension piece direct.

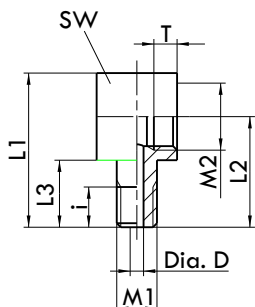


Part-No.	M1	M2	L1	L2	SW	Pipe Dia. D	Dia. d1	Material
0401 1600 706	M10x1k	M10x1	35	23	13	6	10,3	Steel
0401 1600 606	M10x1k	M10x1	50	38	13	6	10,3	Steel
0401 1601 206	R1/4" k	M10x1	26	14	14	6	13,2	Steel
0401 1601 006	R1/4" k	M10x1	35	23	14	6	13,2	Steel
0401 1601 106	R1/4" k	M10x1	55	43	14	6	13,2	Steel
0401 1601 213	R1/4" k	M10x1	26	14	14	6	13,2	1.4305
0401 1601 013	R1/4" k	M10x1	35	23	14	6	13,2	1.4305
0401 1601 113	R1/4" k	M10x1	55	43	14	6	13,2	1.4305
0401 1611 506	R1/8" k	M10x1	50	38	13	6	9,9	Steel
0401 1600 806	M8x1k	M8x1	35	23	10	4	8,3	Steel

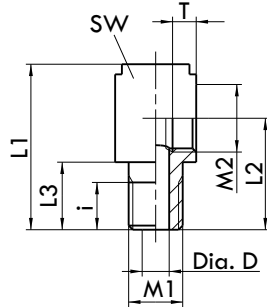
All Parts made of steel are zinc coated and yellow chromated.

Elbow Connector 90°

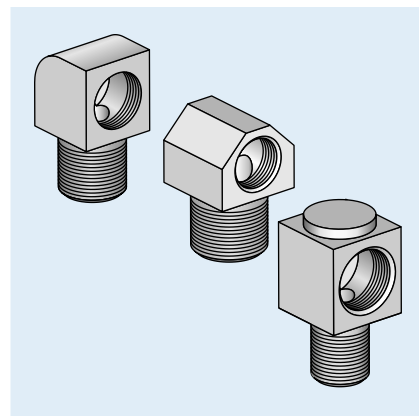
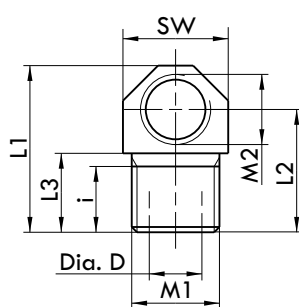
Pic. 1:



Pic. 2:



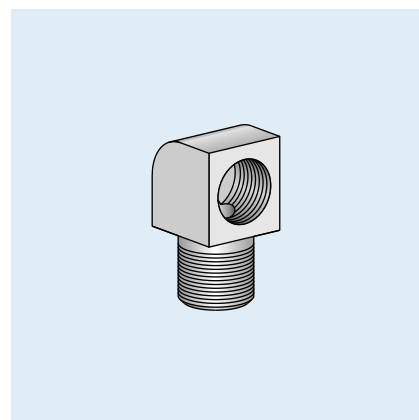
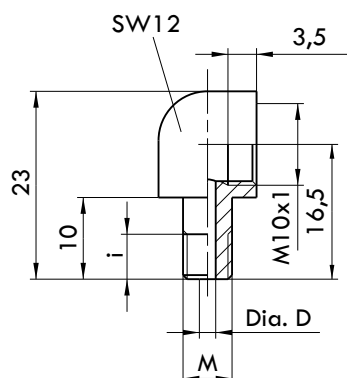
Pic. 3:



Part-No.	M1	i	M2	T	Dia. D	L1	L2	L3	SW	Material	Pic.
1002 10 010	M6k	6	M10x1	3,5	2	23	16,5	10	12	Steel	1
1002 10 020	M8x1k	7	M10x1	3,5	4	23	16,5	10	12	Steel	1
1002 10 025	M8x1,25k	7	M10x1	3,5	4	23	16,5	10	12	Steel	1
1002 10 030	M10x1k	7	M10x1	3,5	5	23	16,5	10	12	Steel	1
1002 10 032	1/4"-28UNF	6	M10x1	3,5	2	23	16,5	10	12	Steel	1
1002 10 105	R1/8"k	10	M10x1	3,5	5	26	19	12	12	Steel	1
1002 10 035	R1/4"k	10	M10x1	3,5	7	26	19	12	14	Steel	1
1002 10 041	M10x1k	7	M10x1	3,5	5	25	18,5	10	12	1.4305	1
1002 10 042	M10x1k	7	M10x1	3,5	5	65	58,5	10	12	1.4305	1
1002 10 043	M10x1k	7	M10x1	3,5	5	75	68,5	10	12	1.4305	1
1002 10 106	M8x1k 1:10	7	M10x1	3,5	4	24,5	16,5	10	12	Steel	2
1002 10 120	M10x1k	7,5	M8x1	4,5	6	19	14	9	12	Steel	3

All Parts made of steel are zinc coated and yellow chromated.

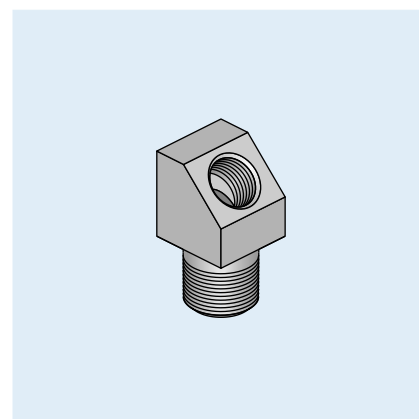
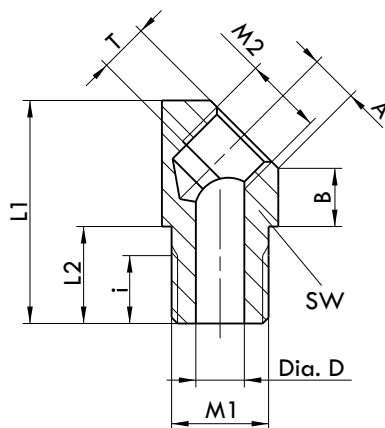
Elbow Connector 90°



Part-No.	M	i	Dia. D	Material
1002 10 073	M6k	6	2	Steel
1002 10 072	M8x1k	7	4	Steel
1002 10 071	M8x1,25k	7	4	Steel
1002 10 070	M10x1k	7	5	Steel

All Parts made of steel are zinc coated and yellow chromated.

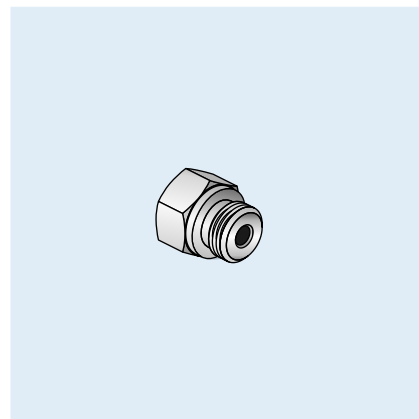
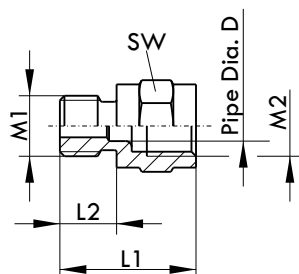
Elbow Connector 45°



Part-No.	M1	i	Dia. D	M2	T	L1	L2	A	B	SW	Material
1002 10 095	M6k	6	2	M8x1	5	23	10	4,95	6	12	Steel
1002 10 085	M8x1k	7	4	M8x1	5	23	10	4,95	6	12	Steel
1002 10 090	M8x1,25k	7	4	M8x1	5	23	10	4,95	6	12	Steel
1002 10 080	M10x1k	7	5	M8x1	5	23	10	4,95	6	12	Steel
1002 10 098	1/4"-28UNF	6	2	M8x1	5	23	10	4,95	6	12	Steel
0401950007-00	R1/4"k	14,5	7	R1/4k	7	32,5	14,5	7,1	8	18	Steel

All Parts made of steel are zinc coated and yellow chromated.

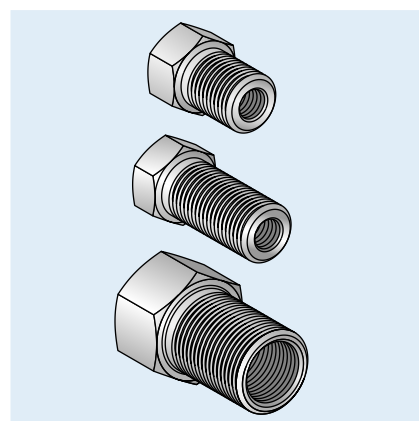
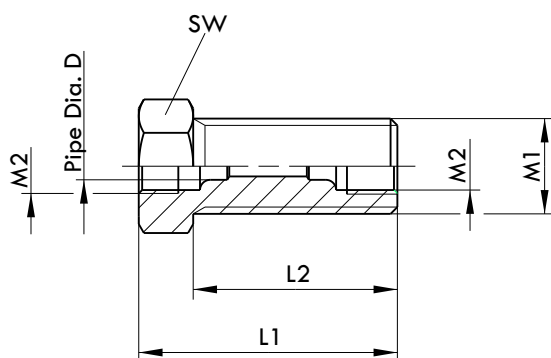
Connection Parts, straight



Part-No.	M1	M2	L1	L2	SW	Pipe Dia. D	Material
1002 1000 301	M6	M8x1	20	6,5	11	4	Steel
1002 1000 304	M8x1	M8x1	18	7,5	11	4	Steel
1002 1000 306	M10x1	M8x1	18	7,5	14	4	Steel
1002 1000 404	M8x1	M10x1	23	7,5	14	6	Steel
1002 1000 406	M10x1	M10x1	20,5	7,5	14	6	Steel
1002 1000 410	G1/4"	M10x1	21,5	10	17	6	Steel

All Parts made of steel are zinc coated and yellow chromated.

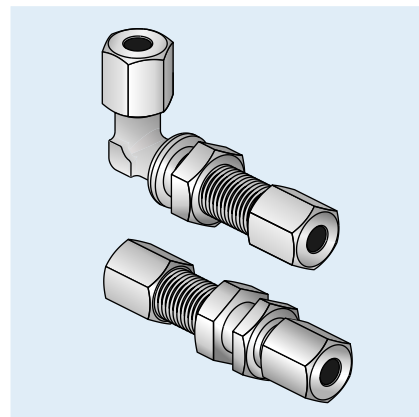
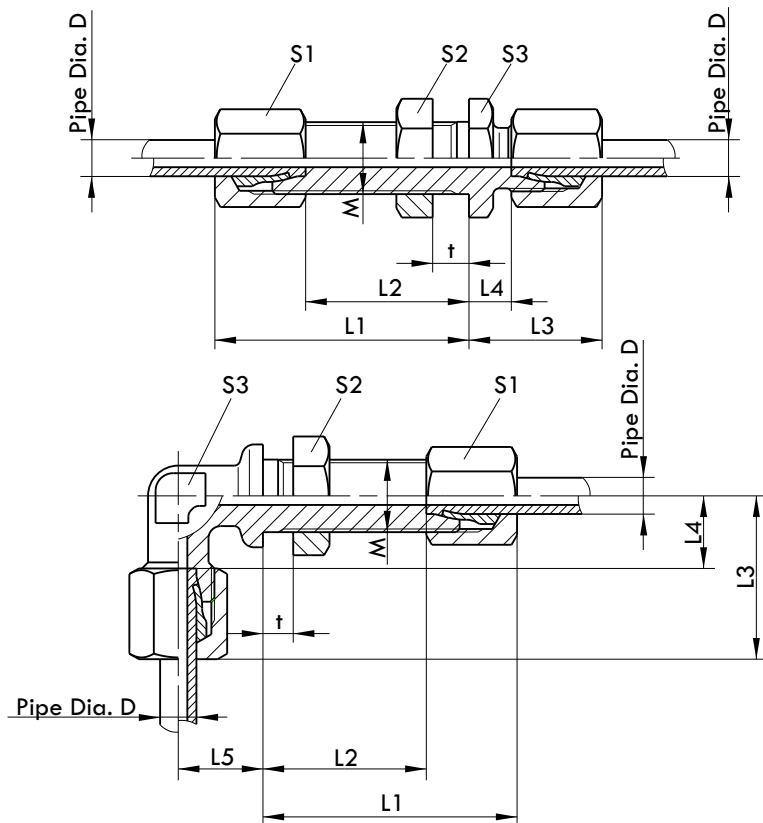
Straight Bulkhead Coupling with Inside Threading



Part-No.	M1	M2	L1	L2	SW	Pipe Dia. D	Material
1002 5000 311	M14x1,5	M8x1	27	19	17	4	Steel
1002 5000 311L	M14x1,5	M8x1	38	30	17	4	Steel
1002 5000 411	M14x1,5	M10x1	30	20	17	6	Steel
1002 5000 715	M20x1,5	M16x1,5	42	27	24	10	Steel

All Parts made of steel are zinc coated and yellow chromated.

Bulkhead Couplings with Cap Screw and Cutting Olive



Straight Bulkhead Couplings

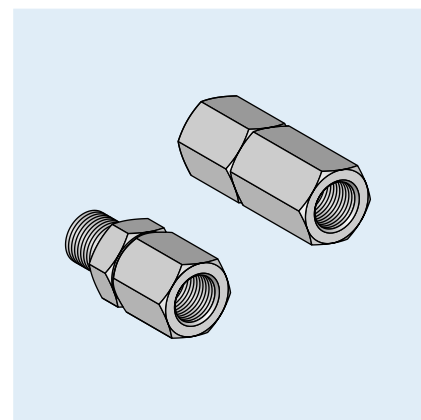
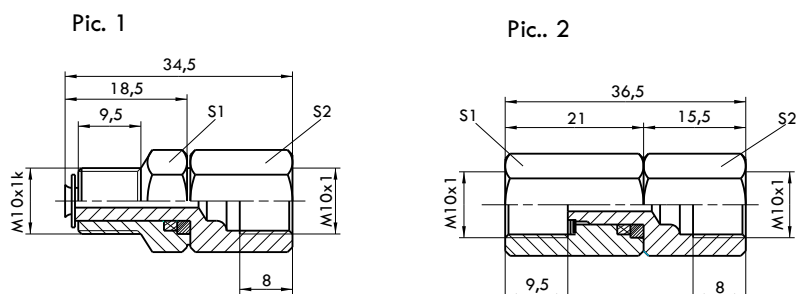
Part-No.	Pipe Dia. D	M	t max.	Approx. L1	Approx. L2	Approx. L3.	L4	S1	S2	S3	Material
0401 4701 006	6L	M12x1,5	16	42	27	22	7	14	17	17	Steel
0401 4701 013	6L	M12x1,5	16	42	27	22	7	14	17	17	1.4571
0401 4701 106	8L	M14x1,5	16	42	27	23	8	17	19	19	Steel
0401 4701 113	8L	M14x1,5	16	42	27	23	8	17	19	19	1.4571

Angular Bulkhead Coupling

Part-No.	Pipe Dia. D	M	t max.	Approx. L1	L2	L3 max.	L4	L5	S1	S2	S3	Material
0401 4721 006	6L	M12x1,5	16	42	27	27	12	14	14	17	12	Steel
0401 4721 013	6L	M12x1,5	16	42	27	27	12	14	14	17	12	1.4571
0401 4722 006	6S	M14x1,5	16	44	29	31	16	17	17	19	12	Steel
0401 4721 106	8L	M14x1,5	16	42	27	29	14	17	17	19	12	Steel

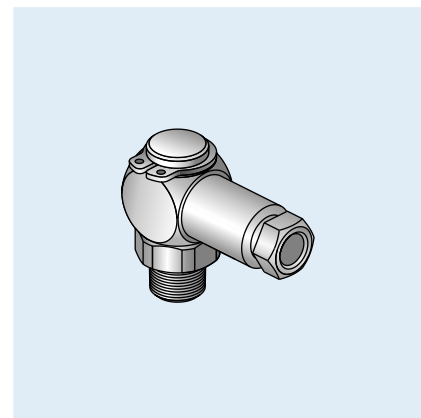
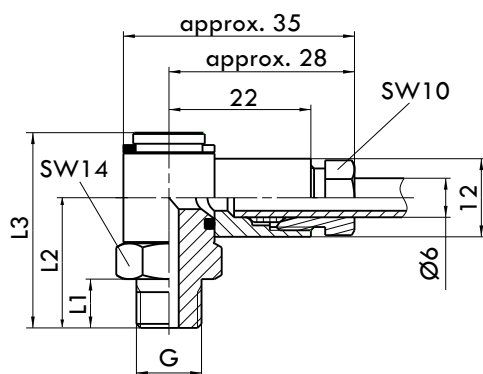
All Parts made of steel are zinc coated and yellow chromated.

Straight Rotary Couplings



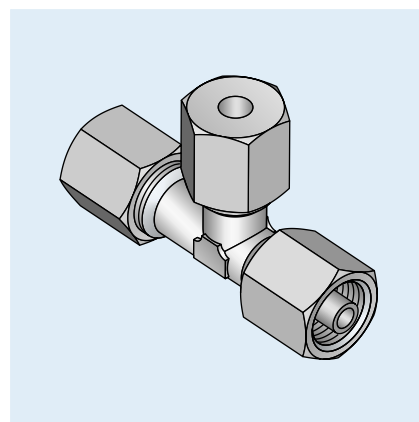
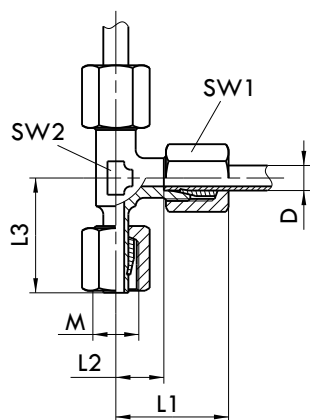
Part-No.	Pic.	S1	S2	Material
0402 020	1	14	14	Brass
0402 042	2	14	14	Brass

Hinges



Part-No.	G	L1	L2	L3	Material
0402 011	M6k	7,5	20	30	Brass
0402 012	M8x1	7,5	20	30	Brass
0402 013	M10x1	7,5	20	30	Brass
0402 023	R1/8" k	7,5	20	30	Brass
0402 043	R1/4" k	9	21,5	31,5	Brass
0402 041	1/8-27 NPT	7,5	20	30	Brass

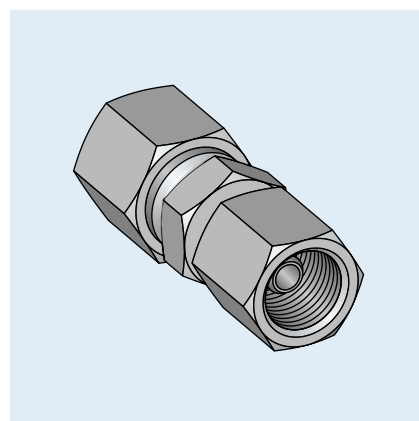
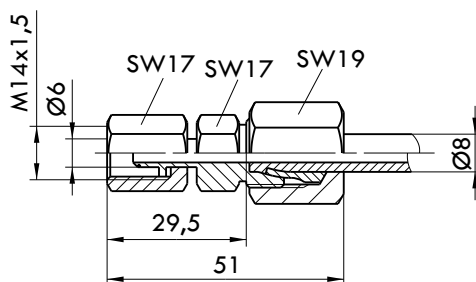
Adjustable L-Couplings



Part-No.	Construction Sort	D	M	Approx.			SW1	SW2	Material
				L1	L2	L3			
04015821006	L	6	M12x1,5	27	12	26	14	12	Steel
04015821106	L	8	M14x1,5	29	14	27,5	17	12	Steel
04015822006	S	6	M14x1,5	31	16	27	17	12	Steel
04015822106	S	8	M16x1,5	32	17	27,5	19	14	Steel

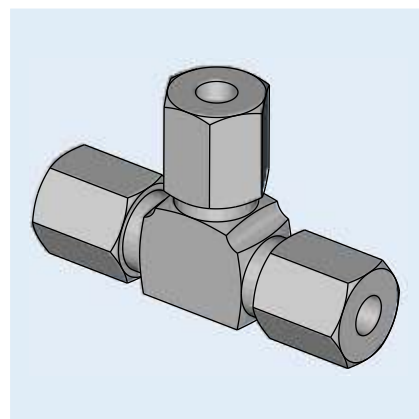
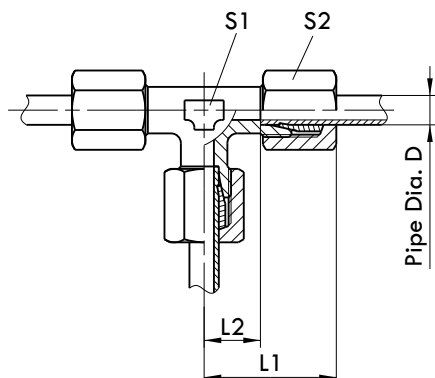
All Parts made of steel are zinc coated and yellow chromated.

Reduction Screw



Part-No.	Material
04060957	Steel, zinc coated, yellow chromate

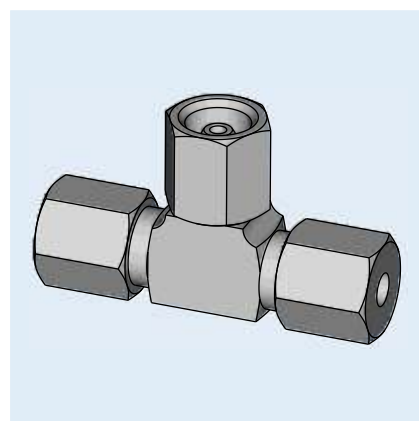
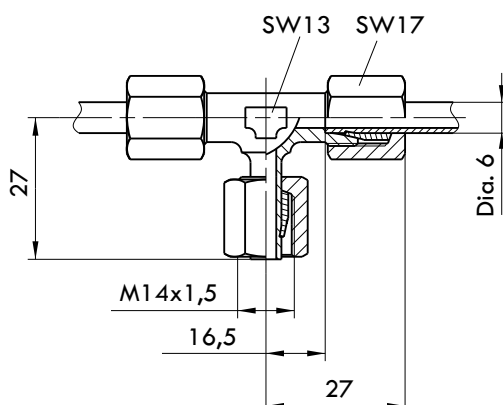
T - Couplings



Part-No.	Approx.				Pipe Dia. D	Material
	L1	L2	S1	S2		
0401 3641 006	27	12	12	14	6L	Steel
0401 3640 306	21	9,5	11	12	6LL	Steel
0401 3642 006	31	16	14	17	6S	Steel
0401 3641 106	29	14	14	17	8L	Steel
0401 3640 406	23	11,5	12	14	8LL	Steel

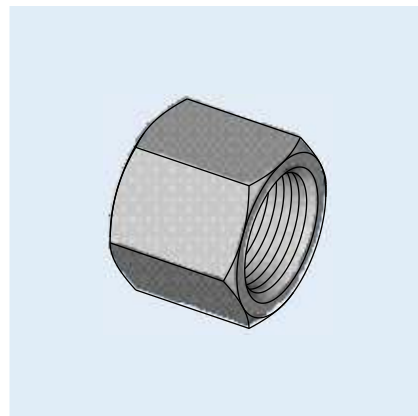
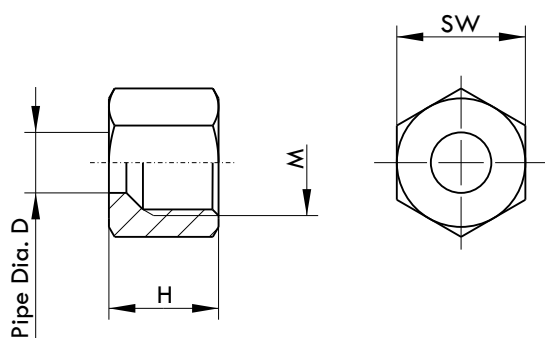
All Parts made of steel are zinc coated and yellow chromated.

Adjustable T-Couplings



Part-No.	Construction Sort	Material
04015722006	S	Steel, zinc coated, yellow chromate

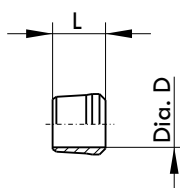
Cap Nuts



Part-No.	Construction sort	Pipe Dia. D	M	H	SW	Material
0403 15001 06	LL	4	M8x1	11	10	Steel
0403 15003 06	LL	6	M10x1	11,5	12	Steel
0403 15004 06	LL	8	M12x1	12	14	Steel
0403 15010 06	L	6	M12x1,5	14,5	14	Steel
0403 15010 13	L	6	M12x1,5	14,5	14	1.4571
0403 15011 06	L	8	M14x1,5	14,5	17	Steel
0403 15011 13	L	8	M14x1,5	14,5	17	1.4571
0403 15020 06	S	6	M14x1,5	16,5	17	Steel
0403 15021 06	S	8	M16x1,5	16,5	19	Steel

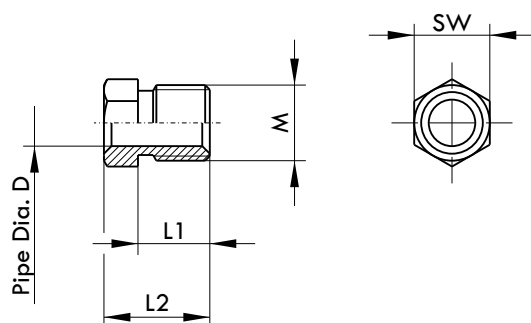
All Parts made of Steel are Zinc coated and yellow chromated.

Cutting Olive



Part-No.	for Pipe Dia D	Construction Sort	L	Material
0403 15201 05	4	LL	6	Steel Zinc coated
0403 15203 05	6	LL	7	Steel Zinc coated
0403 15204 05	8	LL	7	Steel Zinc coated
0403 15210 05	6	L / S	9,5	Steel Zinc coated
0403 15210 13	6	L / S	9,5	1.4571
0403 15211 05	8	L / S	9,5	Steel Zinc coated
0403 15211 13	8	L / S	9,5	1.4571

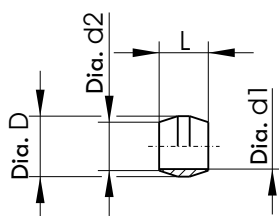
Cap Screw



Part-No.	Pipe Dia. D	M	L1	L2	SW	Material
F0060/19-08	6	M10x1	9,5	14	10	High-grade Steel
0802 000 190	6	M10x1	9,5	14	10	Steel
0802 000 311	4	M10x1	8,5	12	10	Steel
0802 000 312	4	M10x1	8,5	12	10	High-grade Steel

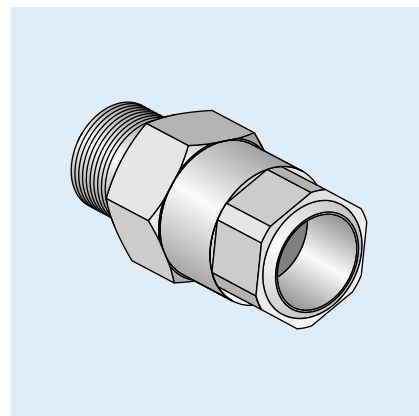
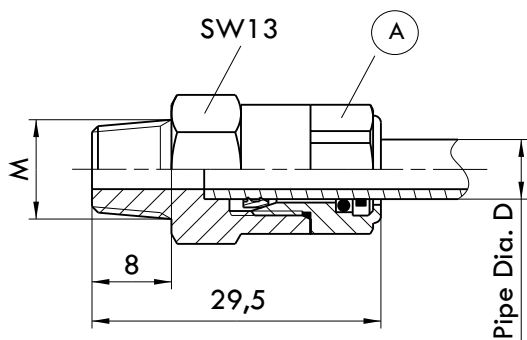
All Parts made of Steel are Zinc coated and yellow chromated.

Double Cone Olive



Part-No.	for Pipe Dia.	Dia. D	L	Dia. d1	Dia. d2	Material
09 03862 0011	4	6	5,5	4	4,3	Steel
09 03862 0013	4	6	5,5	4	4,3	Brass
09 03862 0015	4	6	5,5	4	4,3	High-grade Steel
09 03862 0021	6	8	6,5	6	6,4	Steel
09 03862 0023	6	8	6,5	6	6,4	Brass
09 03862 0026	6	8	6,5	6	6,4	High-grade Steel
09 03862 0031	8	10	6,5	8	8,5	Steel
09 03862 0033	8	10	6,5	8	8,5	High-grade Steel

Straight Plug-in Couplings



(A)

Plug-in connection
for Pipe Dia. 4
SW 12
Order-No.: 0406 0851

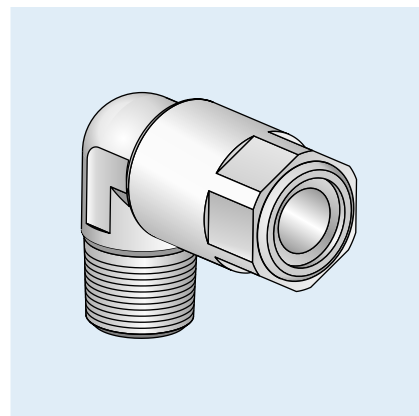
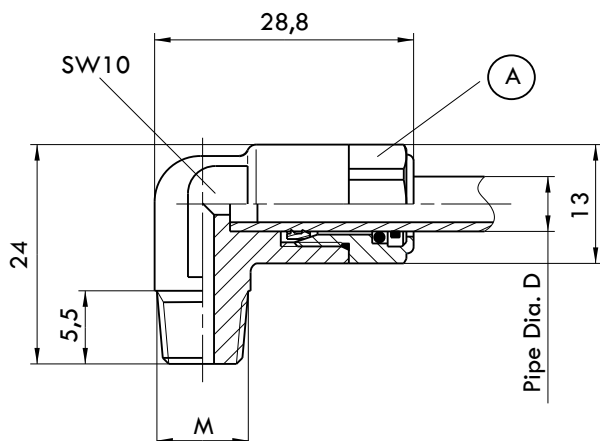
(A)

Plug-in connection
for Pipe Dia. 6
SW 12
Order-No.: 0406 0850

Part-No.	M	Pipe Dia. D	Material
0406 0874	M6k	4	Steel
0406 0873	M8x1k	4	Steel
0406 0872	M10x1k	4	Steel
0406 0875	R1/8"k	4	Steel
0406 0878	M6k	6	Steel
0406 0877	M8x1k	6	Steel
0406 0876	M10x1k	6	Steel
0406 0879	R1/8"k	6	Steel

All Parts made of steel are zinc coated and yellow chromated.

Angular Plug-in Couplings



Ⓐ

Plug-in connection
for Pipe Dia. 4
SW 12
Order-No.: 0406 0851

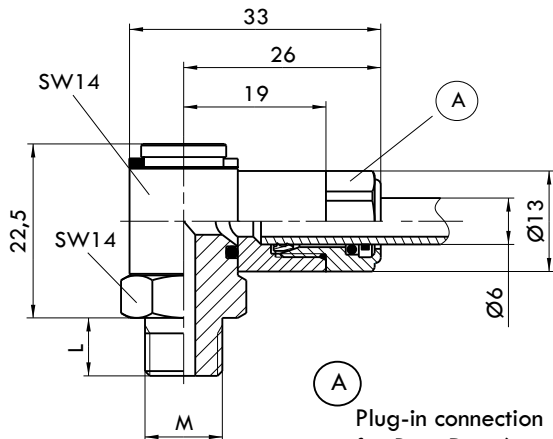
Ⓐ

Plug-in connection
for Pipe Dia. 6
SW 12
Order-No.: 0406 0850

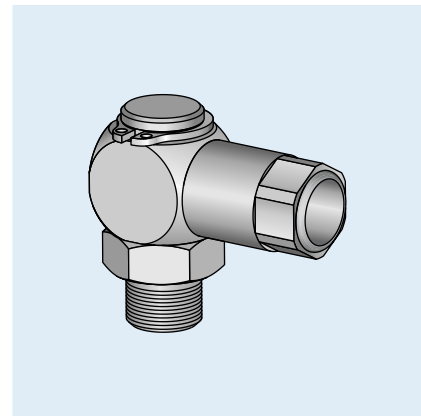
Part-No.	M	Pipe Dia. D	Material
0406 0866	M6k	4	Steel
0406 0865	M8x1k	4	Steel
0406 0864	M10x1k	4	Steel
0406 0867	R1/8"k	4	Steel
0406 0870	M6k	6	Steel
0406 0869	M8x1k	6	Steel
0406 0868	M10x1k	6	Steel
0406 0871	R1/8"k	6	Steel

All Parts made of steel are zinc coated and yellow chromated.

Hinge with plug-in connection

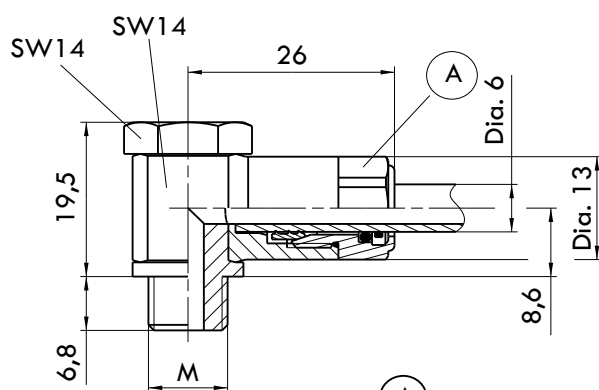


A
 Plug-in connection
 for Pipe Dia. 6
 SW 12
 Order-No.: 0406 0850

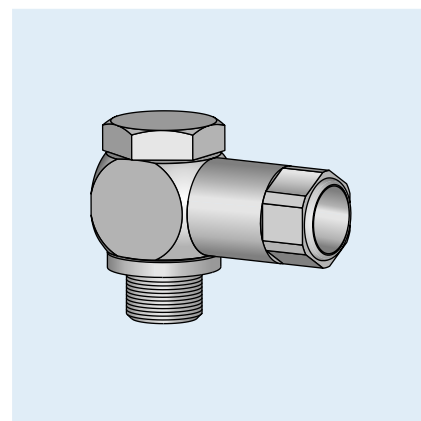


Part-No.	M	L	Material
0402 036	M6k	7,5	Brass
0402 037	M8x1k	7,5	Brass
0402 038	M10x1k	7,5	Brass
0402 040	R1/8" k	7,5	Brass
0402 039	R1/4" k	9	Brass
0402 045	1/8-27 NPT	7,5	Brass

Banjo Assembly with Plug-in Connection

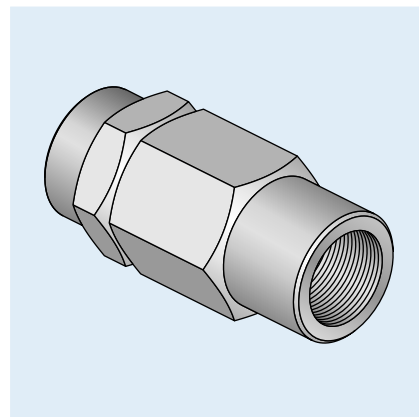
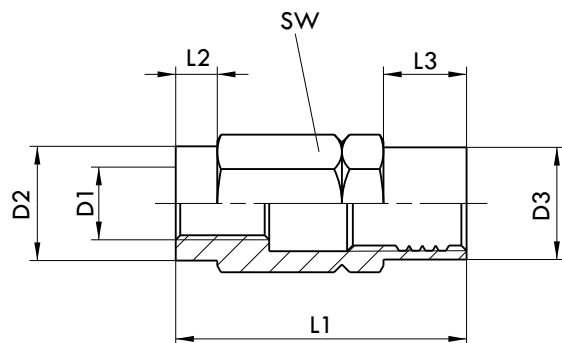


A
 Plug-in Connection
 for Pipe Dia. 6
 SW 12
 Order-No.: 0406 0850



Part-No.	M	Material
0401950029-00	G1/8"	Steel, zinc coated, yellow chromate
0401950029-01	M10x1	Steel, zinc coated, yellow chromate

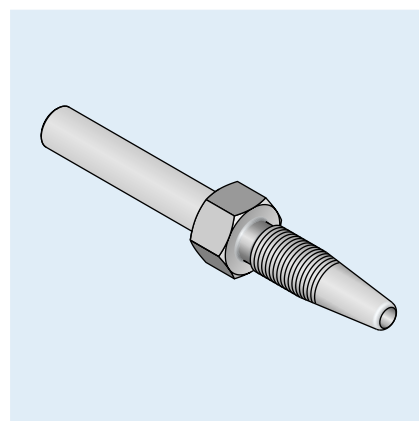
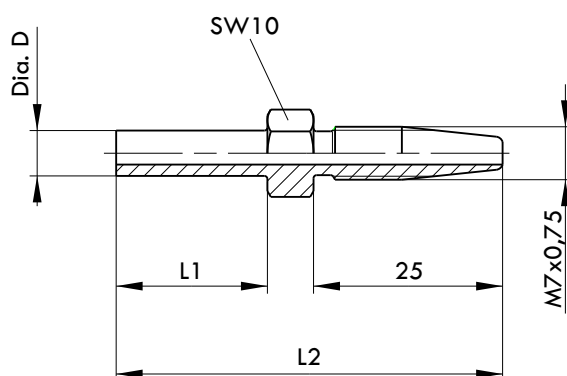
Threaded Ferrule



Part-No.	D1	D2	D3	L1	L2	L3	SW	for HP-Hose	Material
1001 21 200	M7x0,75	11	10,8	28	4	8	12	8,6x4	Steel
1001 21 197	M7x0,75	10	11	28	2	8	12	8,6x4	1.4305
1001 21 305	M8x0,75	14	16	35,8	4	9	17	11,2x6,5	Steel
1001 21 347	M8x0,75	14	16	35,8	4	9	17	11,2x6,5	1.4305

All Parts made of steel are zinc coated and yellow chromated.

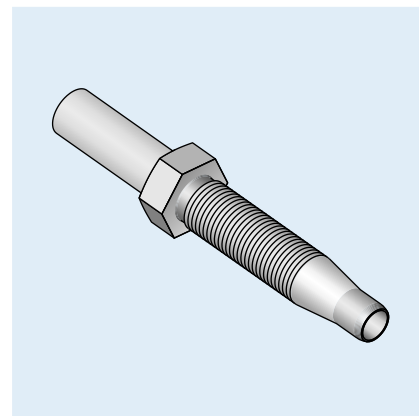
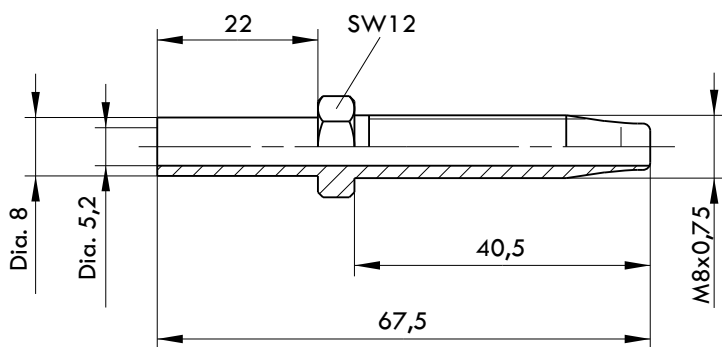
Insert for Ferrule, straight, for couplings with cap screw and cutting Olive to Mounting a High Pressure Hose Dia. 8,6x4



Part-No.	L1	L2	Dia. D	Material
1001 21 218	30	64	5	Steel
1001 21 189	18	49,1	6	Steel
1001 21 190	24	55,1	6	Steel
1001 21 201	30	61,1	6	Steel
1001 21 196	30	61,1	6	1.4305
1001 21 217	30	64	8	Steel
1001 21 219	30	64	10	Steel

All Parts made of steel are zinc coated and yellow chromated.

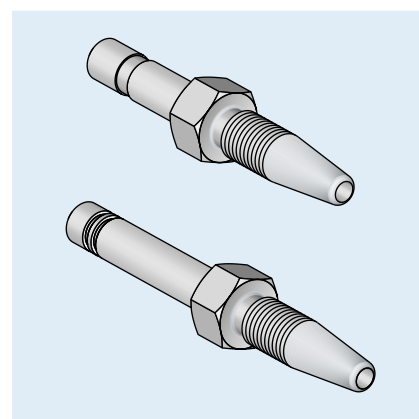
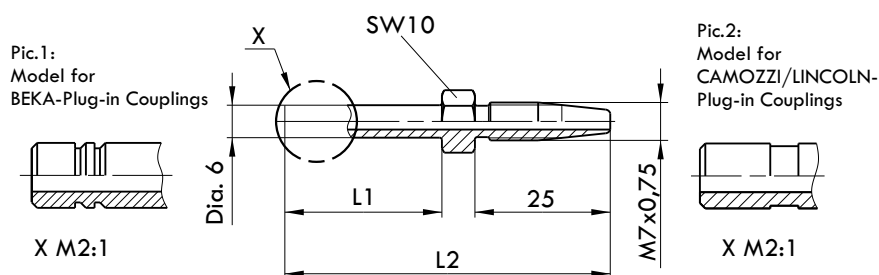
Insert for Ferrule, straight, for Coupling with Cap Screw and Cutting Olive to Mounting a High Pressure Hose Dia. 11,2x6,5



Part-No.	Material
100121301	Steel
100121348	1.4305

All Parts made of steel are zinc coated and yellow chromated.

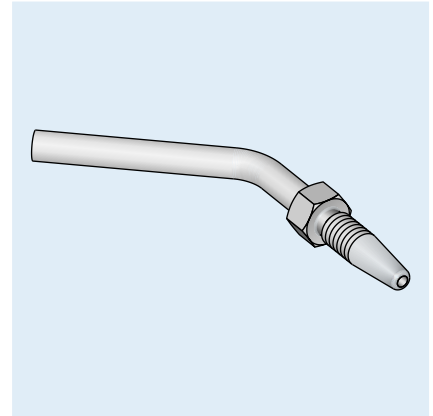
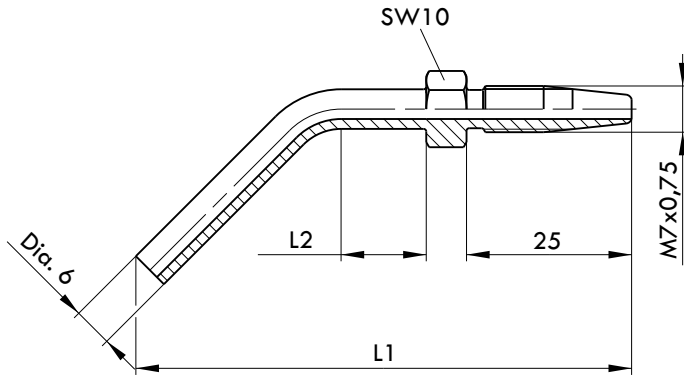
Insert for Ferrule, straight for Couplings with Plug-in Connections to Monting a High Pressure Hose Dia. 8,6x4



Part-No.	Pic.	L1	L2	Material
1001 21 210	2	21	52,1	Steel
1001 21 191	1	30	61,1	Steel

All Parts made of steel are zinc coated and yellow chromated.

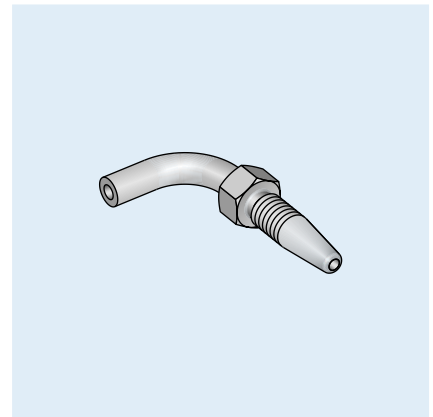
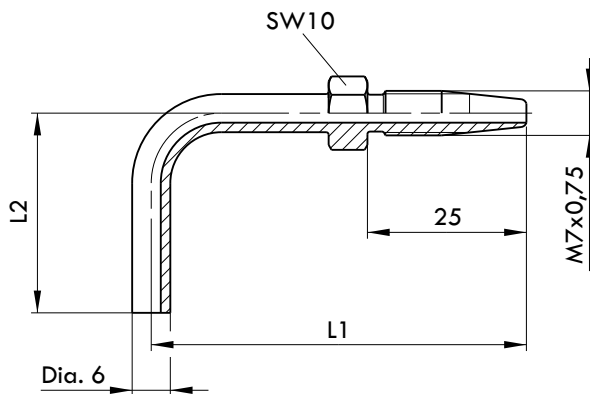
Insert for Ferrule, 45° bent, for Couplings with Cap Screw and Cutting Olive to Mounting a High Pressure Hose Dia. 8,6x4



Part-No.	L1	L2	Material
1001 21 206	79,1	12,9	Steel
1001 21 187	79,1	12,9	1.4305
1001 21 215	93,2	12,9	Steel

All Parts made of steel are zinc coated and yellow chromated.

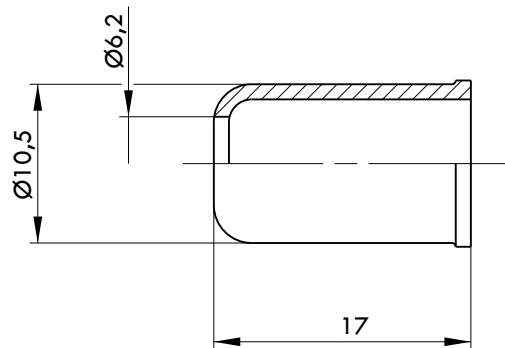
Insert for Ferrule, 90° bent, for Couplings with Cap Screw and Cutting Olive to Mounting a High Pressure Hose Dia. 8,6x4



Part-No.	L1	L2	Material
1001 21 202	59	38	Steel
1001 21 203	59	50	Steel
1001 21 208	45,1	20,7	Steel
1001 21 209	45,1	32,7	Steel

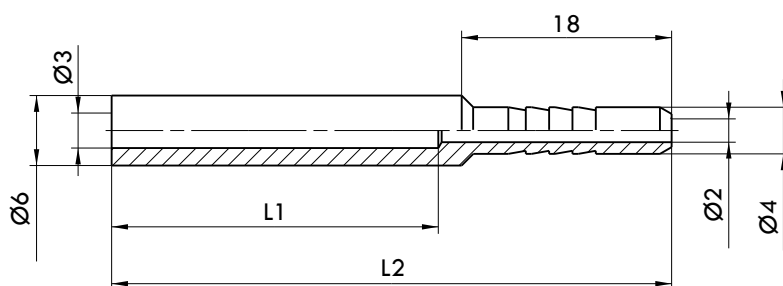
All Parts made of steel are zinc coated and yellow chromated.

Ferrule DN4



Part-No.	Material
100121204	Steel zinc coated, yellow chromated

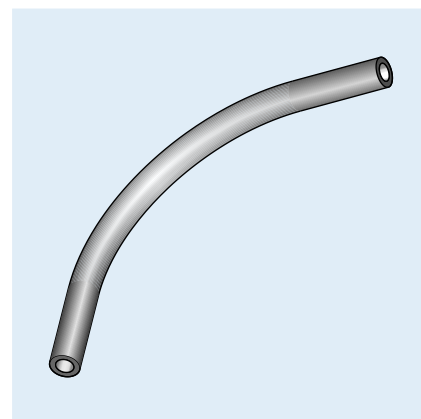
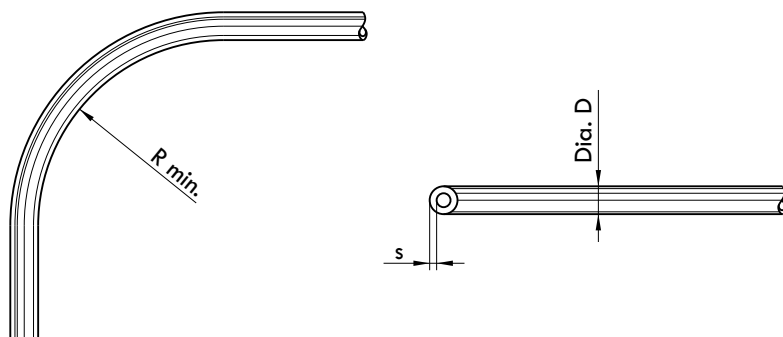
Insert for Ferrule DN4



Part-No.	L1	L2	Material
FWZ02392-00	28	48	Steel
FWZ02392-01	13	33	Steel

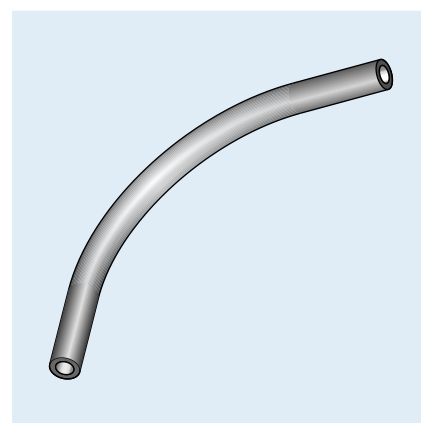
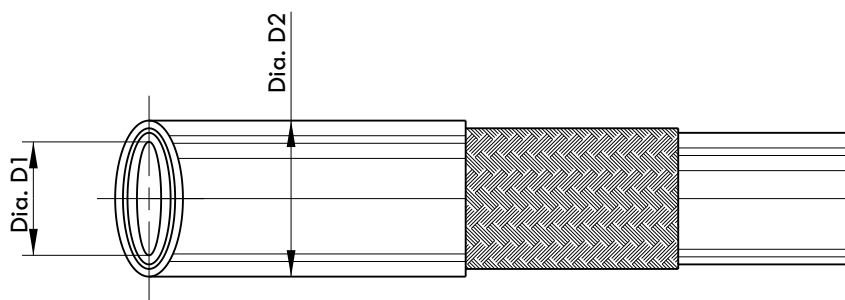
All Parts made of steel are zinc coated and yellow chromated.

Polyamide tube



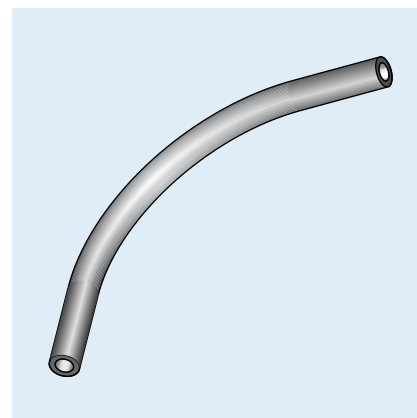
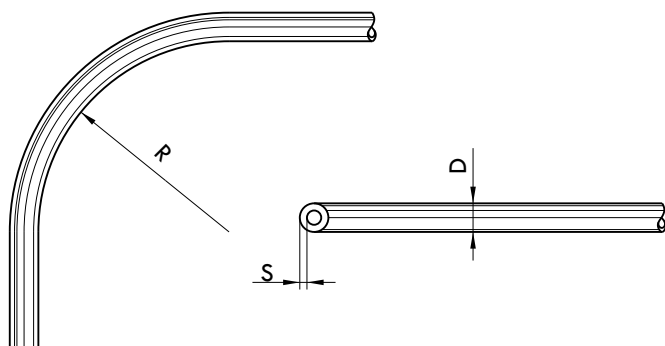
Part-No.	Dia. D	S	min. Bending Radius R	Type	Grease filled	Material
1001 20 075	4	0,85	40	hard	with	Polyamide
1001 20 040	4	0,85	40	soft	with	Polyamide
1001 20 039	4	0,85	40	hard	without	Polyamide
1001 20 041	4	0,85	40	soft	without	Polyamide
1001 20 100	6	1,5	40	hard	with	Polyamide
1001 20 101	6	1,5	40	hard	without	Polyamide

High Pressure Hose



Part-No.	Dia. D1	Dia. D2	Type	Grease filled	Material
1001 20 200	4	8,6	straight	with	Plastic / Synthetic Net
1001 20 205	4	8,6	spiral	with	Plastic / Synthetic Net
1001 20 201	4	8,6	straight	without	Plastic / Synthetic Net
1001 20 206	4	8,6	spiral	without	Plastic / Synthetic Net
1001 20 265	6,5	11,2	straight	with	Plastic / Synthetic Net
1001 20 266	6,5	11,2	straight	without	Plastic / Synthetic Net

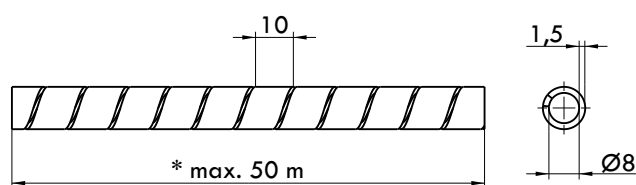
Steel Pipe, DIN 2391; St35



Part-No.	D	S	min. Bending Radius R	Material
0612 020 002	4	0,7	5	Steel zinc coated
0612 020 001	6	1	11	Steel zinc coated
0612 020 017	8	1	15	Steel zinc coated

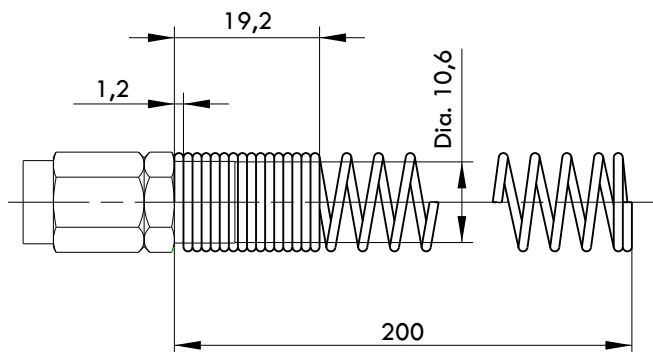
Spiral Protection

* =Indicate Lenght at order!



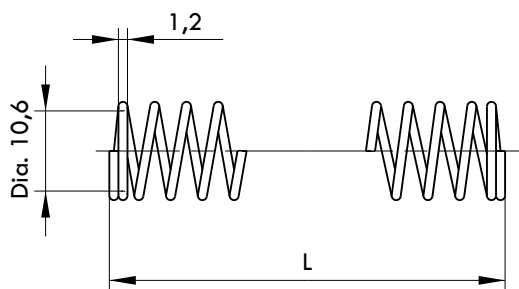
Part-No.	Material
100121005	Polyethylene Colour black

Bent Protection Spiral



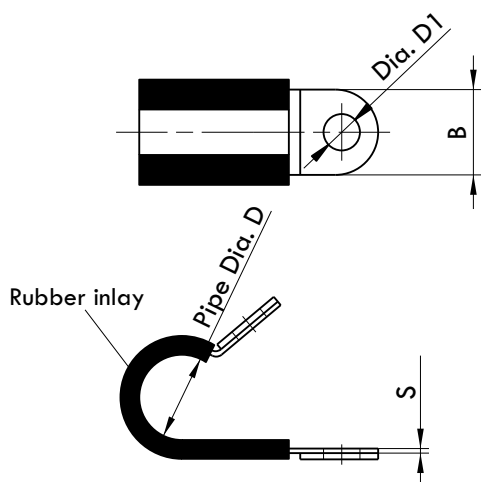
Part-No.	Material
100121002	Steel zinc coated yellow chromate

Bent Protection Spiral



Part-No.	L (mm)	Material
1001 21 004	5000	1.4310
1001 21 040	2000	1.4310
1001 21 041	1300	1.4310
1001 21 042	750	1.4310

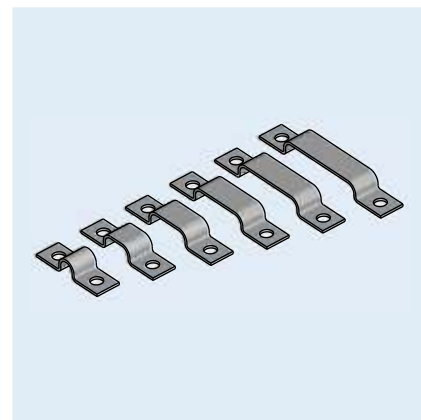
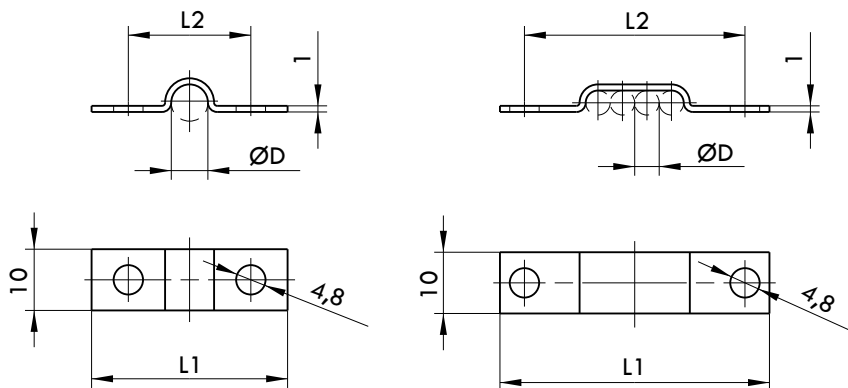
Rubber lined Pipe Clamp



Part-No.	B	Pipe Dia. D	S	Dia. D1	Material
1001 500 10	12	6	0,5	5,3	Steel
1001 500 20	12	9	0,5	5,3	Steel
1001 500 30	12	12	0,5	5,3	Steel
1001 500 40	12	15	0,5	5,3	Steel
1001 500 60	12	17	0,5	5,3	Steel
1001 500 65	12	18	0,5	5,3	Steel
1003 050 019	15	6	0,6	6,4	Steel
1003 050 006	15	9	0,6	6,4	Steel
1003 050 022	15	10	0,6	6,4	Steel
1003 050 012	15	12	0,6	6,4	Steel
1003 050 023	15	15	0,8	6,4	Steel
1003 050 003	15	17	0,8	6,4	Steel
1003 050 013	15	18	0,8	6,4	Steel
1003 050 032	15	19	0,8	6,4	Steel
1001 500 50	15	20	0,8	6,4	Steel
1003 050 014	15	22	0,8	6,4	Steel
1003 050 016	15	25	0,8	6,4	Steel

All Parts made of Steel are Zinc coated.

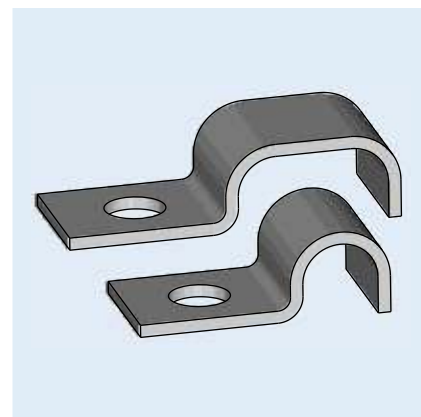
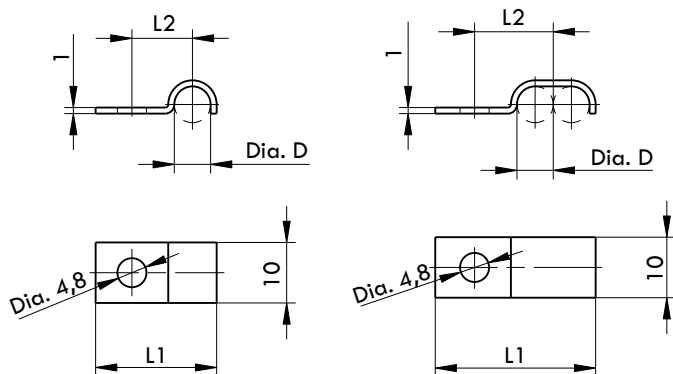
Pipe Clamps, Duplex-fastening, at DIN 72573



Part-No.	Dia. D	Number of pipes	L1	L2	Material
097 257 300 411	4	1	29	17	Steel
097 257 300 412	4	2	33	21	Steel
097 257 300 413	4	3	39	27	Steel
097 257 300 414	4	4	44	32	Steel
097 257 300 415	4	5	48	36	Steel
097 257 300 416	4	6	52	40	Steel
097 257 300 111	6	1	32	20	Steel
097 257 300 112	6	2	38	26	Steel
097 257 300 113	6	3	45	33	Steel
097 257 300 114	6	4	51	39	Steel
097 257 300 115	6	5	57	45	Steel
097 257 300 116	6	6	64	52	Steel
097 257 300 211	8	1	34	22	Steel
097 257 300 212	8	2	42	30	Steel
097 257 300 213	8	3	51	39	Steel
097 257 300 214	8	4	59	47	Steel
097 257 300 215	8	5	68	56	Steel
097 257 300 216	8	6	76	64	Steel
097 257 300 511	10	1	34	22	Steel
097 257 300 512	10	2	44	32	Steel
097 257 300 513	10	3	55	43	Steel
097 257 300 514	10	4	67	55	Steel
097 257 300 515	10	5	77	65	Steel
097 257 300 516	10	6	90	78	Steel

All Parts made of Steel are Zinc coated.

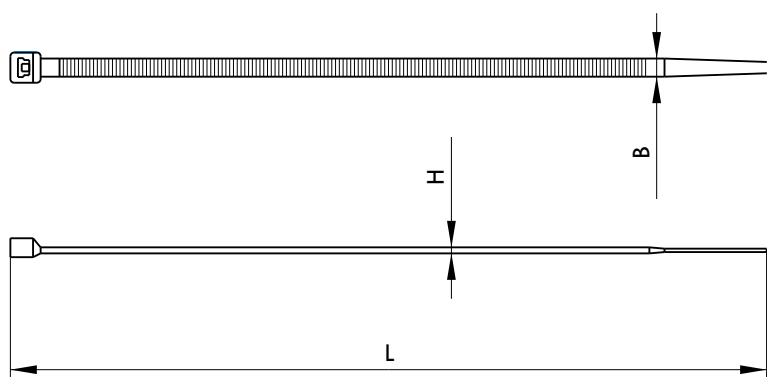
Pipe Clamps, One-side-fastening, at DIN 72571



Part-No.	Dia.D	Number of pipes	L1	L2	Material
097 257 100 111	4	1	18	9	Steel
097 257 100 211	6	1	20	10	Steel
097 257 100 311	8	1	22	11	Steel
097 257 100 411	10	1	23	11	Steel
097 257 100 112	4	2	22,5	11	Steel
097 257 100 212	6	2	26,5	13	Steel
097 257 100 312	8	2	30,5	15	Steel
097 257 100 412	10	2	33,5	16	Steel

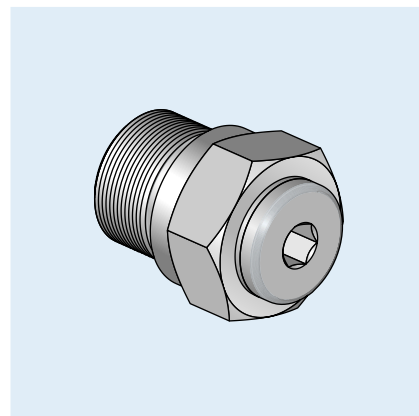
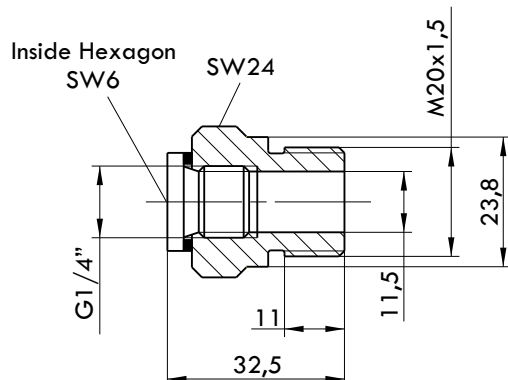
All Parts of steel are Zinc coated.

Nylon Tie Strap



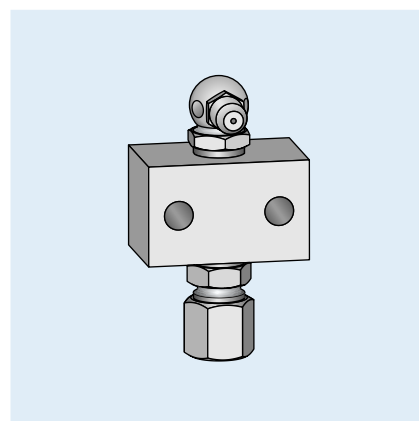
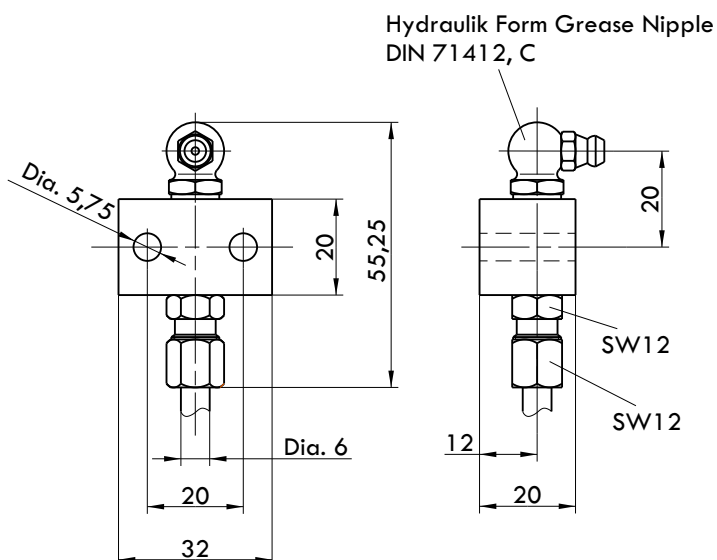
Part-No.	L	B	H	Material
100 121 011	200	4,8	1,6	Plastic
100 121 013	380	7,8	1,8	Plastic
100 121 002	200	3,6	1	Plastic
100 121 016	450	7,8	1,8	Plastic
100 121 022	360	4,8	1,6	Plastic

Nipple Modification Kit



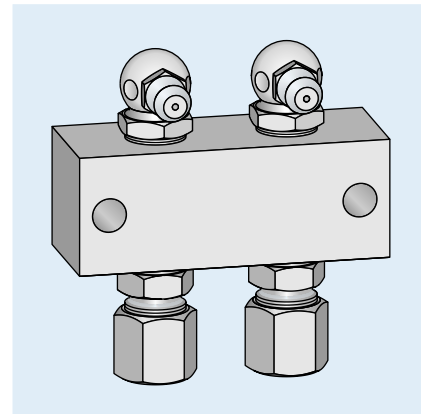
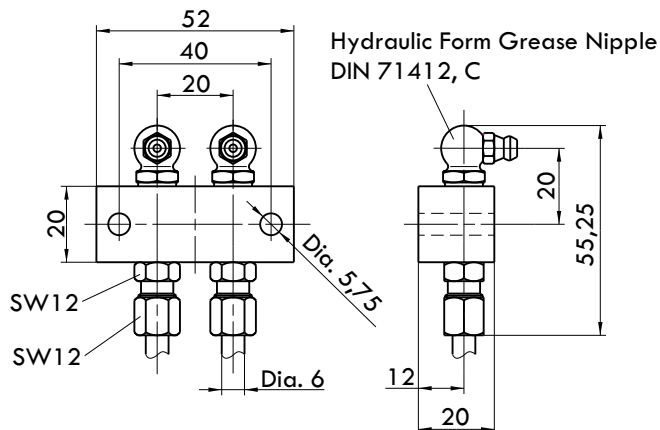
Part-No.	Material
21590010020	Steel zinc coated yellow chromate

Nipple Block One-Outlet, at AZ-1713



Part-No.	Material
21590020014	Steel zinc coated yellow chromate

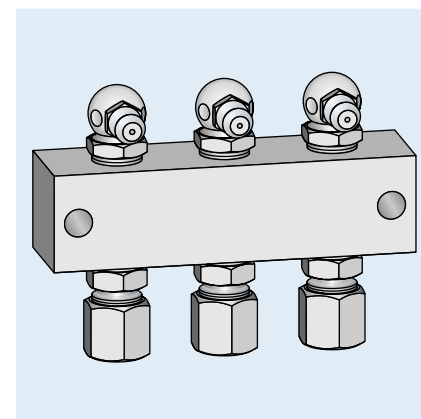
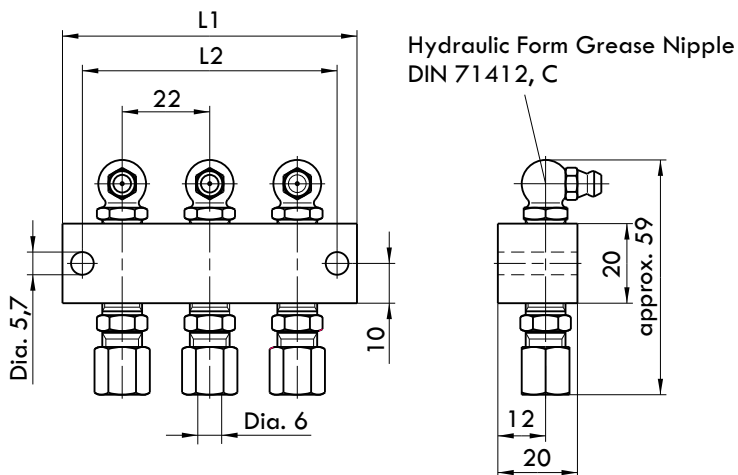
Nipple Block Two-Outlets at AZ-1714



Part-No	Material
21590020024	Steel zinc coated yellow chromate

Nipple Block Three up to Aight-Outlets

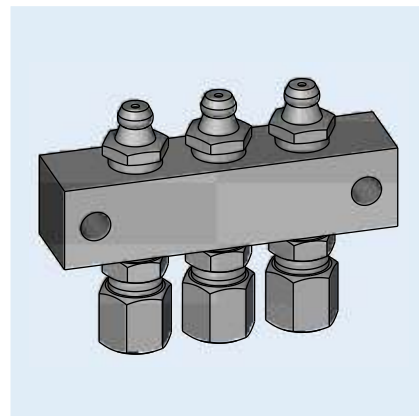
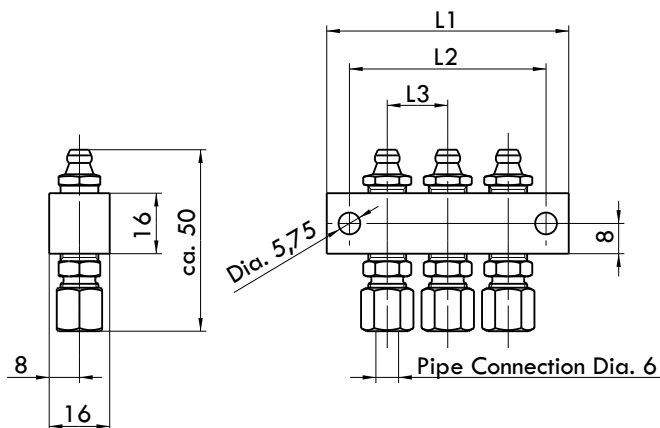
Pic.: Nipple Block Three-Outlets



Part-No.	Number of connections	L1	L2	Material
2159 0020 025	3	74	64	Steel
2159 0020 026	4	96	86	Steel
2159 0020 027	5	118	108	Steel
2159 0020 028	6	140	130	Steel
2159 0020 029	8	184	174	Steel

All Parts made of steel are zinc coated and yellow chromated.

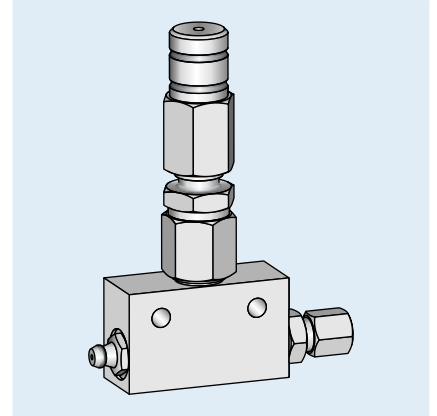
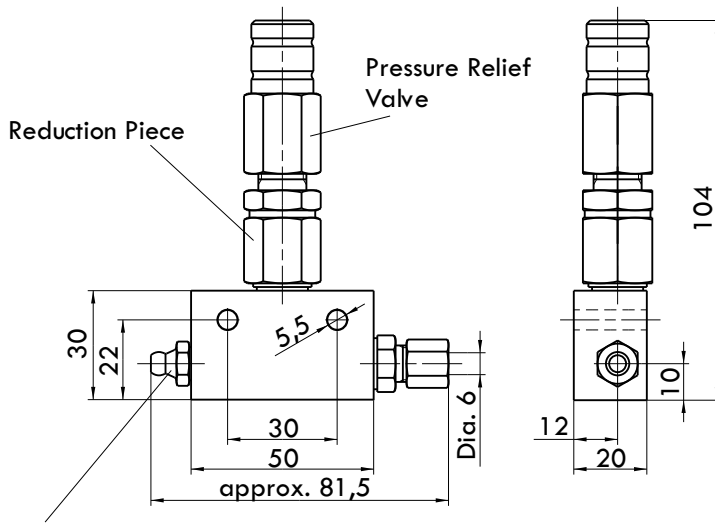
Nipple Block One- up to Aight-Outlets at FAZ1714-05



Part-No.	Number of connections	L1	L2	L3	Material
2159 0020 065	1	32	20	20	Steel
2159 0020 066	2	52	40	16	Steel
2159 0020 067	3	64	52	16	Steel
2159 0020 068	4	80	68	16	Steel
2159 0020 069	5	96	84	16	Steel
2159 0020 070	6	112	100	16	Steel
2159 0020 071	7	128	116	16	Steel
2159 0020 072	8	144	132	16	Steel

All Parts made of steel are zinc coated and yellow chromated.

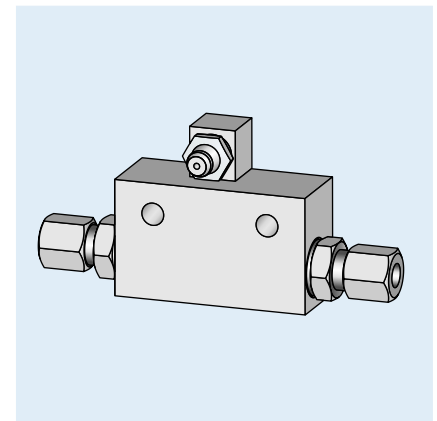
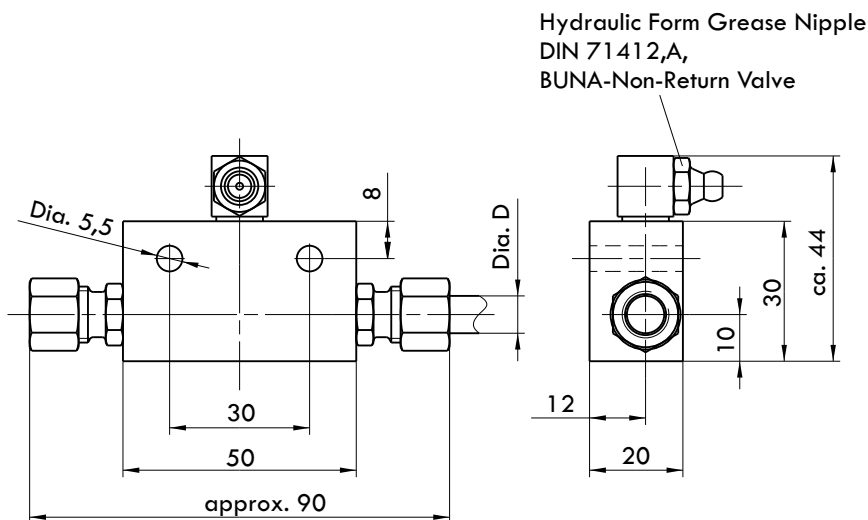
**Nipple Block One-Outlet
with High Pressure Valve at FAZ02251-01**



Hydraulic Form Grease Nipple
DIN 71412, A,
BUNA-Non-Return Valve

Part-No.	Material
2152 99063 2001	Steel zinc coated yellow chromate

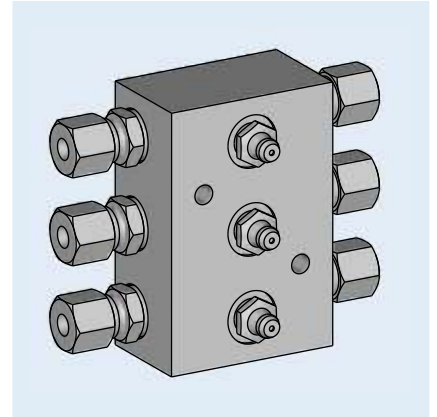
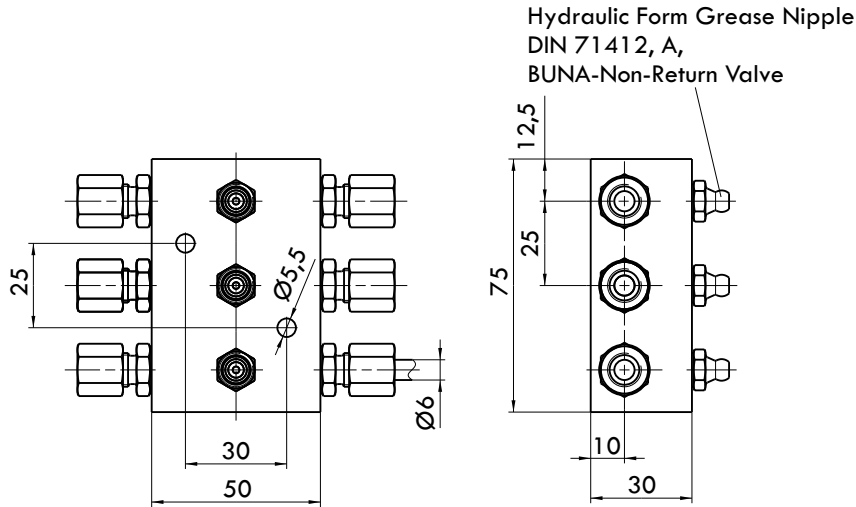
Straight-Way Nipple Block One-Outlet, Connection Dia. 6 and Dia. 8



Part-No.	Dia. D	Material
2159 0030 014	6	Steel
2159 0030 017	8	Steel

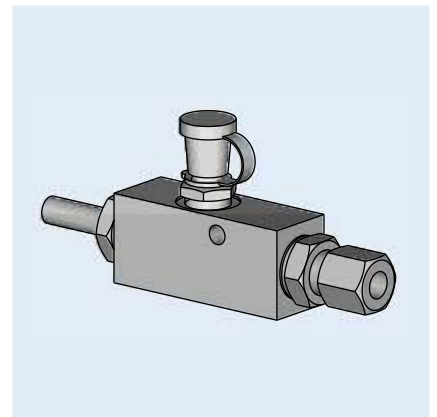
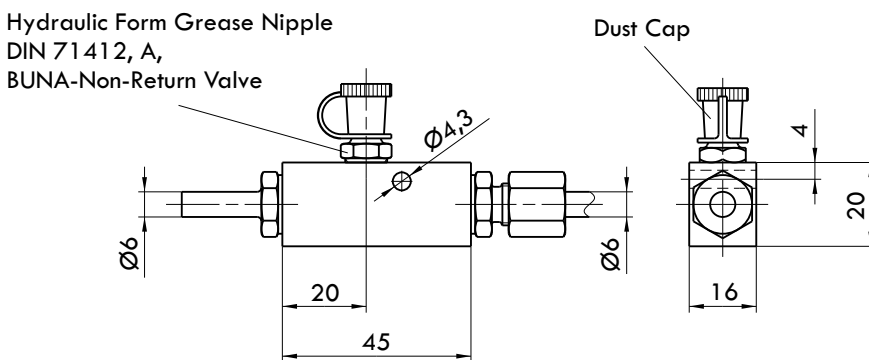
All Parts made of steel are zinc coated and yellow chromated.

Straight-Way Nipple Block 3 Outlets, at AZ-1760-02



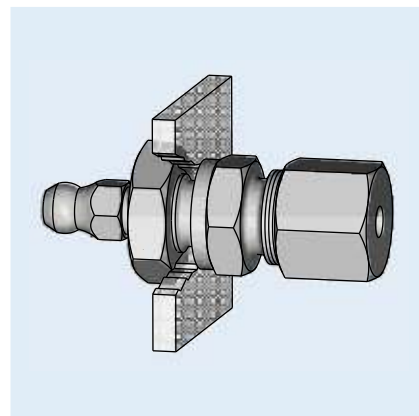
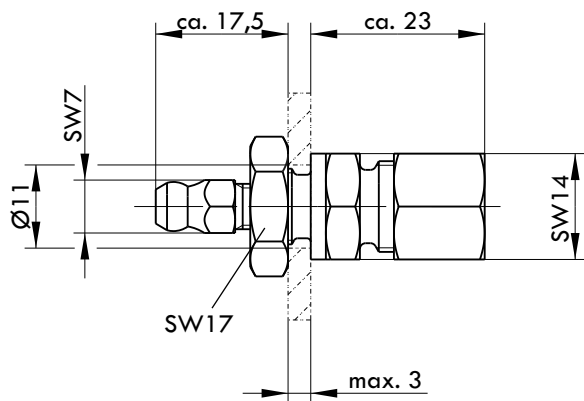
Part-No.	Material
21590030016	Steel zinc coated yellow chromate

Straight-Way Nipple Block, at AZ-1760-04



Part-No.	Material
21590030020	Steel zinc coated yellow chromate

Schottverschraubung mit Schmiernippel



Part-No.	Material
FAZ03552-00	Steel zinc coated yellow chromate