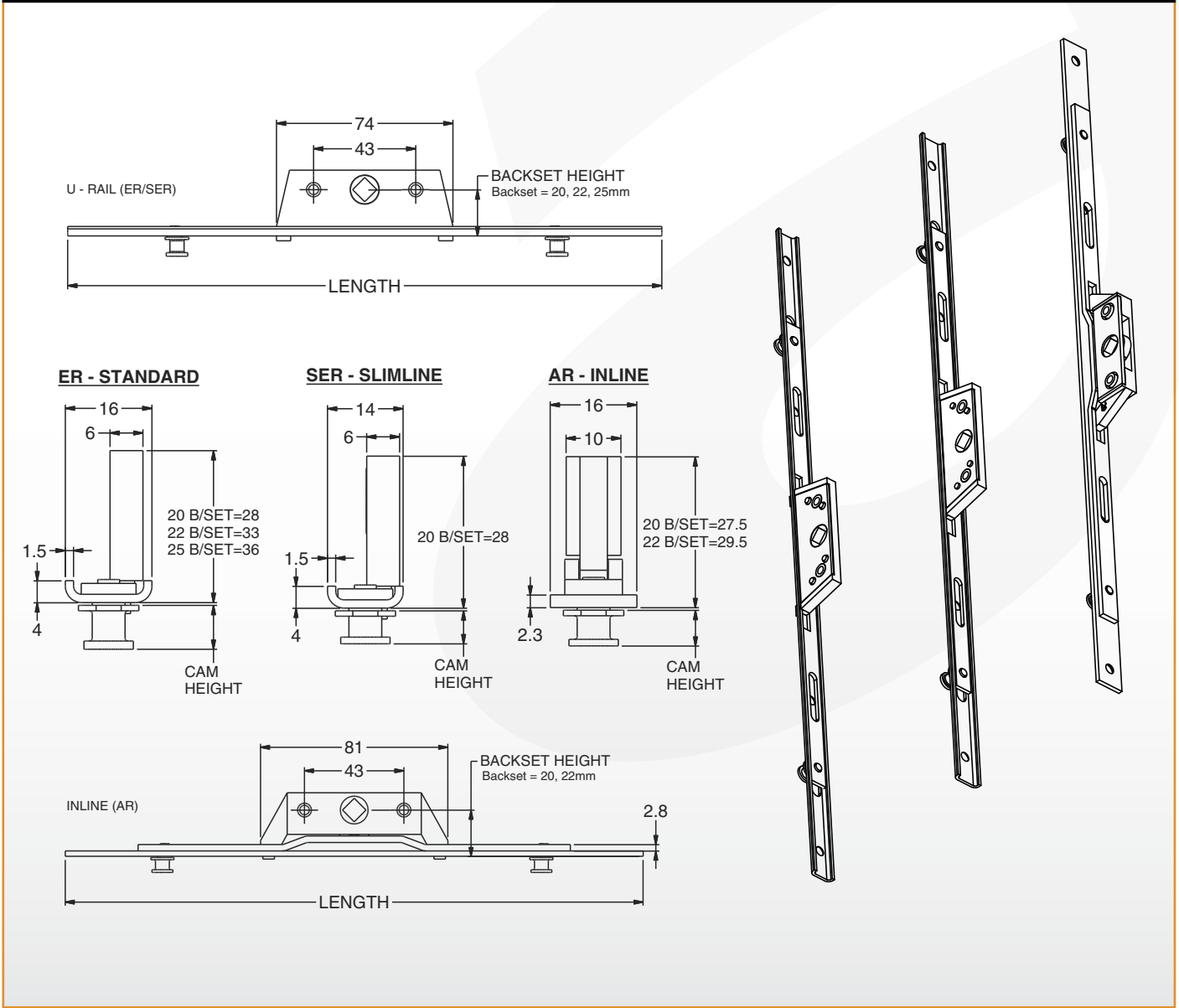


Technical Information

AVOCET ESPAGNOLETTE RODS - DIMENSIONS



PRODUCT OPTIONS

ROD TYPE	BACKSET SIZES			CAM SIZES				ROD LENGTH						
	20	22	25	6	7	8	10	150	250	400	600	800	1000	1200
IN-LINE (AR)	✓	✓	✓	✓	✓	✓	✓	✓	✓	✓	✓	✓	✓	✓
ST'D U-RAIL (ER)	✓	✓	✓	✓	✓	✓	✓	✓	✓	✓	✓	✓	✓	✓
SLIM U-RAIL (SER)	✓	✓	✓	✓	✓	✓	✓	✓	✓	✓	✓	✓	✓	✓

✓ NON-STOCK OPTIONS AVAILABLE ON REQUEST

- New Trivalent Silver finish
- Eurogroove, Flat and U-Rail fitting available
- Eccentric cams to provide smooth operation with 7, 8 and 10mm heights (see product option chart)
- 20mm, 22mm and 25mm backsets (see product option chart)
- Keeps are available for all major profiles (see profile related keep chart on page 40)
- Suitable for uPVC
- For Timber and Aluminium applications please consult the Avocet Technical Department

Technical Information

Assessment Data

Performance: Endurance tested to 25,000 operations

Corrosion Resistance: Meets requirements of BS EN 1670:1998, Grade 3

Material Specifications

All Metal Components: Steel C1008

Gearbox Body: Zinc BS1004A

Coating Details: Steel components - Trivalent plated 20-25 microns coating thickness

Additional Information

Box Quantity: 10 units

Keeps: For profile related keeps please refer to page 40

PRODUCT CODES						
ST'D U-RAIL	SLIM U-RAIL	INLINE	BACKSET SIZE	CAM SIZE	ROD LENGTH	TRIVA-LENT
		AR	22	7	250/400/600/800/1000	T
		AR	20	8	250/400/600/800/1000/1200	T
		AR	22	8	150/250/400/600/800/1000/1200	T
		AR	20	10	250/400/600/800/1000/1200	T
		AR	22	10	250/400/600/800/1000/1200	T
ER			20	MH8	250/400/600/800/1000/1200	T
ER			22	MH7	250/400/600/800/1000/1200	T
ER			25	MH8	250/400/600/800/1000/1200	T
	SER		20	MH6	250/400/600/800/1000	T
	SER		20	MH8	250/400/600/800/1000	T

i.e: AR208250T = Inline espag rod, 20mm backset, 8mm cams, 250mm rod length
 AR228250T = Inline espag rod, 22mm backset, 8mm cams, 250mm rod length
 ER20MH8400T = St'd U-Rail espag rod, 20mm backset, 8mm cams, 400mm rod length
 SER20MH8600T = Slim U-Rail espag rod, 20mm backset, 8mm cams, 600mm rod length

ADD "T" TO THE END OF CODE FOR TRIVALENT FINISH

ALTERNATIVE SIZES ARE AVAILABLE ON REQUEST

