


# Keysteel

Imperial Stainless Steel profiles are manufactured to a minus tolerance

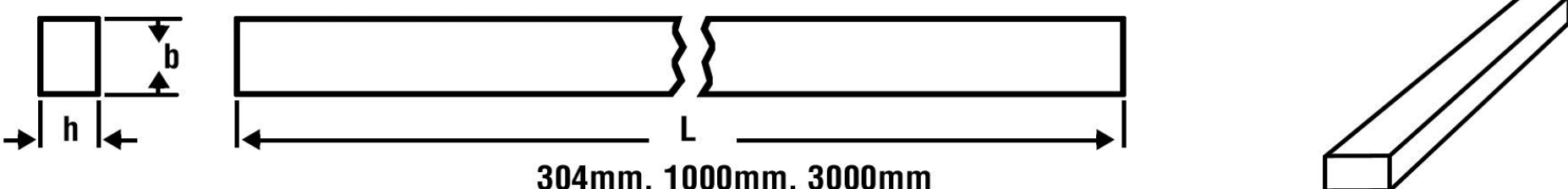
## Stocking an extensive range of standard profile Keysteel

**Imperial Profile**



12" , 36" & 10'

**Metric Profile**



304mm, 1000mm, 3000mm

# Keysteel

Imperial Stainless Steel profiles are manufactured to a minus tolerance

ENGINEERS Keysteel – BS46 Part I 1958 (Imperial) - Keysteel 080M40 (En8) & C45 + C Stainless Steel A2, A4

Width W	1/8"		3/16"		1/4"		5/16"		3/8"		7/16"		1/2"		5/8"	
Height T	1/8"		3/16"		1/4"		5/16"		3/8"		7/16"		1/2"		5/8"	
tolerance w	0.125	0.127	0.188	0.190	0.250	0.252	0.312	0.314	0.375	0.377	0.438	0.440	0.500	0.502	0.625	0.627
tolerance t	0.125	0.127	0.188	0.190	0.250	0.252	0.312	0.314	0.375	0.377	0.438	0.440	0.500	0.502	0.625	0.627
Length L	<b>Preferred Stock Length</b>															
12"																
36"																
10'																

Width W	3/4"		7/8"		1"		1.1/4"		1.1/2"		1.3/4"		2"		
Height T	3/4"		7/8"		1"		1.1/4"		1.1/2"		1.3/4"		2"		
tolerance w	0.750	0.752	0.875	0.877	1.000	1.003	1.250	1.253	1.500	1.504	1.750	1.754	2.000	2.005	
tolerance t	0.750	0.752	0.875	0.877	1.000	1.003	1.250	1.253	1.500	1.504	1.750	1.754	2.000	2.005	
Length L	<b>Preferred Stock Length</b>														
12"															
36"															
10'															

# Keysteel

Imperial Stainless Steel profiles are manufactured to a minus tolerance

**ENGINEERS Keysteel – BS46 Part I 1958 (Imperial) - Keysteel 080M40 (En8) & C45+C Stainless Steel A2, A4**

Width W	1/4"		5/16"		3/8"		3/8"		7/16"		7/16"		7/16"		1/2"	
Height T	3/16"		1/4"		1/4"		5/16"		1/4"		5/16"		3/8"		5/16"	
tolerance w	0.250	0.252	0.312	0.314	0.375	0.377	0.375	0.377	0.438	0.440	0.438	0.440	0.438	0.440	0.500	0.502
tolerance t	0.188	0.191	0.250	0.253	0.250	0.253	0.312	0.315	0.250	0.252	0.312	0.315	0.375	0.378	0.312	0.315
Length L	<b>Preferred Stock Length</b>															
12"																
36"																
10'																

Width W	1/2"		5/8"		5/8"		5/8"		3/4"		3/4"		3/4"		7/8"	
Height T	3/8"		3/8"		7/16"		1/2"		3/8"		1/2"		5/8"		1/2"	
tolerance w	0.500	0.502	0.625	0.627	0.625	0.627	0.625	0.627	0.750	0.752	0.750	0.752	0.750	0.752	0.875	0.877
tolerance t	0.312	0.378	0.375	0.378	0.438	0.441	0.500	0.503	0.375	0.378	0.500	0.503	0.625	0.629	0.500	0.503
Length L	<b>Preferred Stock Length</b>															
12"																
36"																
10'																

# Keysteel

Imperial Stainless Steel profiles are manufactured to a minus tolerance

**ENGINEERS Keysteel – BS46 Part I 1958 (Imperial) - Keysteel 080M40 (En8) & C45+C Stainless Steel A2, A4**

Width W	7/8"		7/8"		1"		1"		1"		1.1/4"		1.1/4"		1.1/4"	
Height T	5/8"		3/4"		1/2"		5/8"		7/8"		3/4"		7/8"		1"	
tolerance w	0.875	0.877	0.875	0.877	1.000	1.003	1.000	1.003	1.000	1.003	1.250	1.253	1.250	1.253	1.250	1.253
tolerance t	0.625	0.629	0.750	0.754	0.500	0.503	0.625	0.629	0.875	0.879	0.750	0.754	0.875	0.879	1.000	1.006
Length L	<b>Preferred Stock Length</b>															
12"																
36"																
10'																

Width W	1.1/2"		1.1/2"		1.1/2"		1.5/8"		1.3/4"		2"		2"		2"	
Height T	7/8"		1"		1.1/4"		1"		1.1/4"		1.1/4"		1.1/2"		1.3/4"	
tolerance w	1.500	1.504	1.500	1.504	1.500	1.504	1.625	1.629	1.750	1.754	2.000	2.005	2.000	2.005	2.000	2.005
tolerance t	0.875	0.879	1.000	1.006	1.250	1.256	1.000	1.006	1.250	1.256	1.250	1.256	1.500	1.506	1.750	1.756
Length L	<b>Preferred Stock Length</b>															
12"																
36"																
10'																

# Keysteel

Imperial Stainless Steel profiles are manufactured to a minus tolerance

**ENGINEERS Keysteel – BS4235 Part I 1972 & DIN6880 (Metric) - Keysteel 080M40 (En8) & C45+C Stainless Steel A2, A4**

Width b	2	3	4	5	5	6	6	8	8	10	10	12	12	14	14	16	16
Height h	2	3	4	3	5	4	6	5	7	6	8	6	8	6	9	7	10
tolerance h9 <b>+0.00</b>	-	-	-	-	-	-	-	-	-	-	-	-	-	-	-	-	-
	0.025	0.025	0.030	0.030	0.030	0.030	0.030	0.036	0.036	0.036	0.036	0.043	0.043	0.043	0.043	0.043	0.043
tolerance h11 <b>+0.00</b>	-	-	-	-	-	-	-	-	-	-	-	-	-	-	-	-	-
	0.025	0.025	0.030	0.060	0.030	0.075	0.030	0.030	0.090	0.030	0.036	0.075	0.090	0.075	0.090	0.090	0.090
Length L	<b>Preferred Stock Length</b>																
304mm																	
1000mm																	
3000mm																	

Width b	18		20		22			24	25						28		
Height h	7	11	8	12	9	14	22	24	9	14	16	20	22	25	10	16	28
tolerance h9 <b>+0.00</b>	-	-	-	-	-	-	-	-0.05	-	-	-0.05	-0.05	-0.05	-	-	-	-0.05
	0.043	0.043	0.052	0.052	0.052	0.052	0.052	-0.05	0.052	0.052	-0.05	-0.05	-0.05	0.052	0.052	0.052	-0.05
tolerance h11 <b>+0.00</b>	-	-	-	-	-	-	-	-0.05	-	-	-	-	-	-	-	-	-0.05
	0.090	0.110	0.090	0.110	0.110	0.110	0.130	-0.05	0.090	0.110	0.110	0.130	0.130	0.052	0.090	0.110	-0.05
Length L	<b>Preferred Stock Length</b>																
304mm																	
1000mm																	
3000mm																	

# Keysteel

Imperial Stainless Steel profiles are manufactured to a minus tolerance

**ENGINEERS Keysteel – BS4235 Part I 1972 & DIN6880 (Metric) - Keysteel 080M40 (En8) & C45+C Stainless Steel A2, A4**

Width b	30	32			36			40				45		50		56	63
Height h	30	11	18	32	12	20	36	14	22	25	40	25	45	28	50	32	32
tolerance h9 <b>+0.00</b>	-	-	-	-	-	-	-	-	-	-	-	-	-	-	-	-	-
	0.052	0.062	0.062	0.062	0.062	0.062	0.062	0.062	0.062	0.062	0.062	0.062	0.062	0.062	0.062	0.074	0.074
tolerance h11 <b>+0.00</b>	-	-	-	-	-	-	-	-	-	-	-	-	-	-	-	-	-
	0.052	0.110	0.110	0.062	0.110	0.130	0.062	0.110	0.130	0.130	0.062	0.130	0.062	0.130	0.062	0.160	0.160
Length L	<b>Preferred Stock Length</b>																
304mm																	
1000mm																	
3000mm																	

Width b	70	80	90	100													
Height h	36	40	45	50													
tolerance h9 <b>+0.00</b>	-	-	-	-													
	0.074	0.074	0.087	0.087													
tolerance h11 <b>+0.00</b>	-	-	-	-													
	0.160	0.160	0.160	0.160													
Length L	<b>Preferred Stock Length</b>																
304mm																	
1000mm																	
3000mm																	