

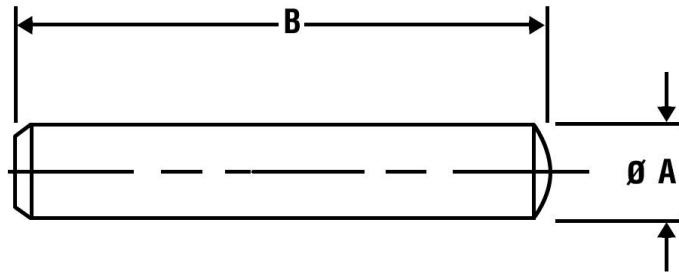
# Precision Plain & Tapped Dowel Pins

Assortment Kit Boxes Available (**Don't For Get our Extractor Tool**)

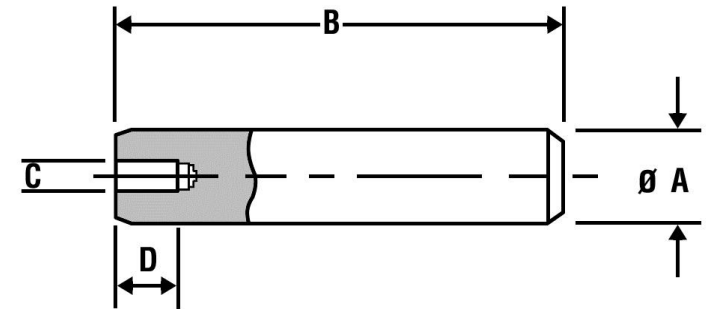
**TASMANINDUSTRIES**

MACHINING EXCELLENCE Since 1988  
ISO9001:2008

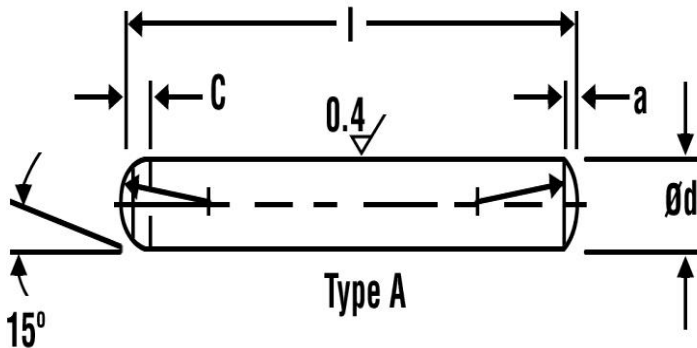
BS1804 Plain



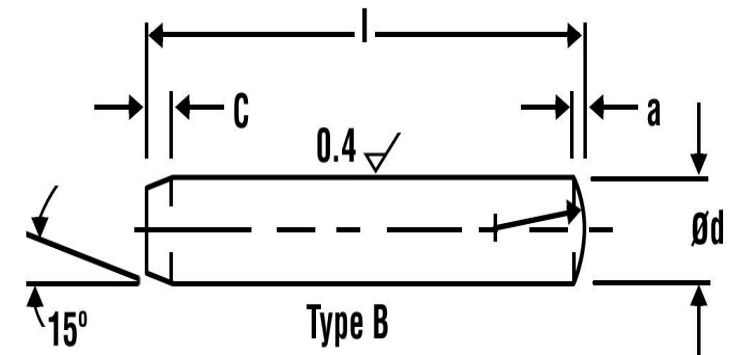
BS1804 Extractable



ISO8734A



ISO8734B

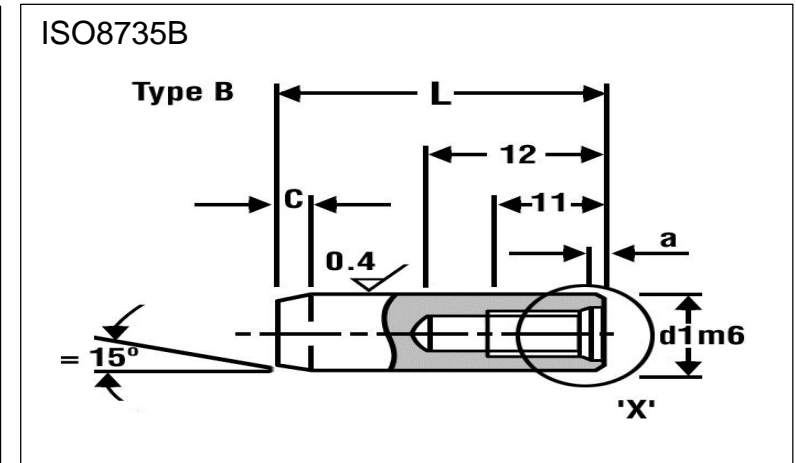
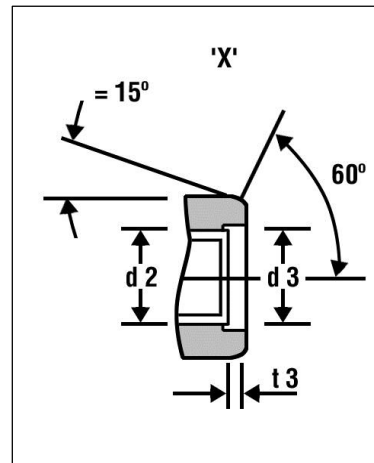
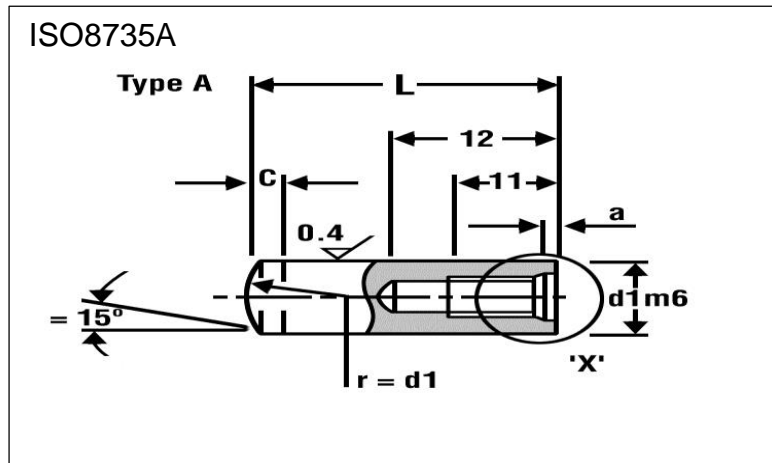
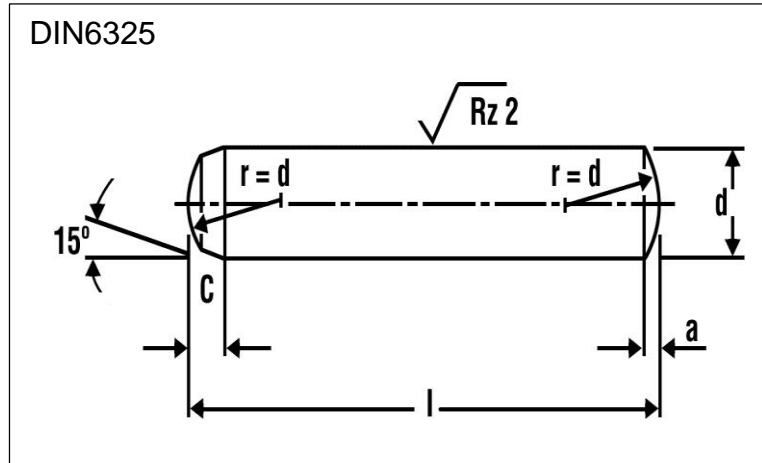


# Precision Plain & Tapped Dowel Pins

Assortment Kit Boxes Available (**Don't For Get our Extractor Tool**)

**TASMANINDUSTRIES**

MACHINING EXCELLENCE Since 1988  
ISO9001:2008

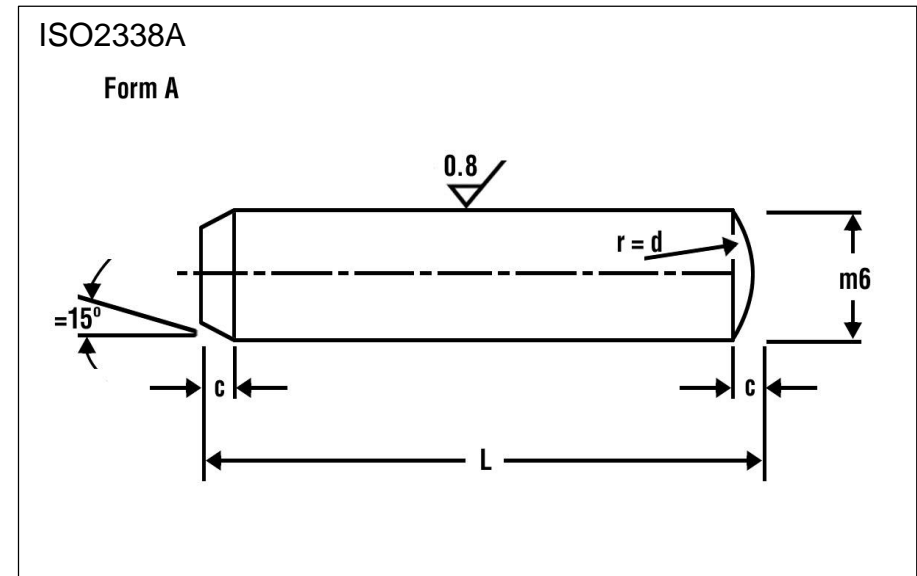
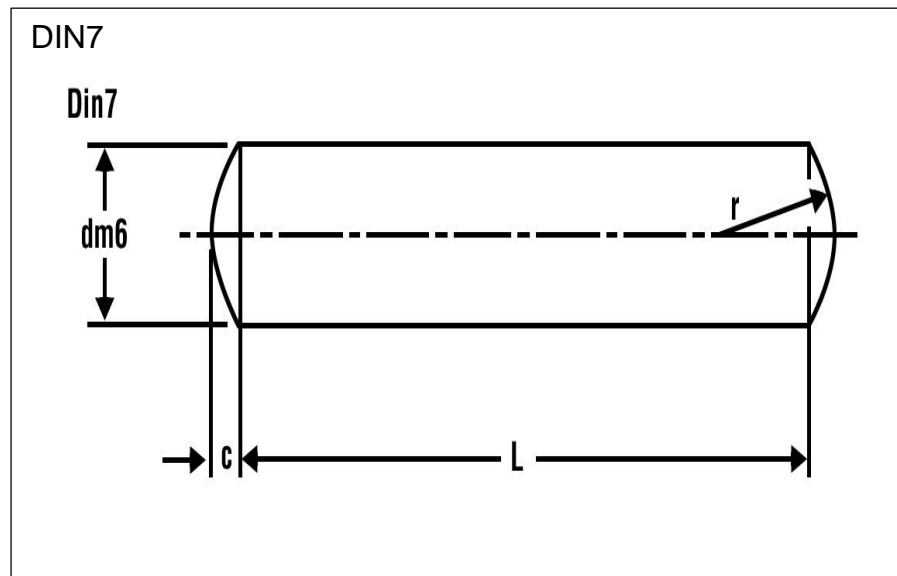
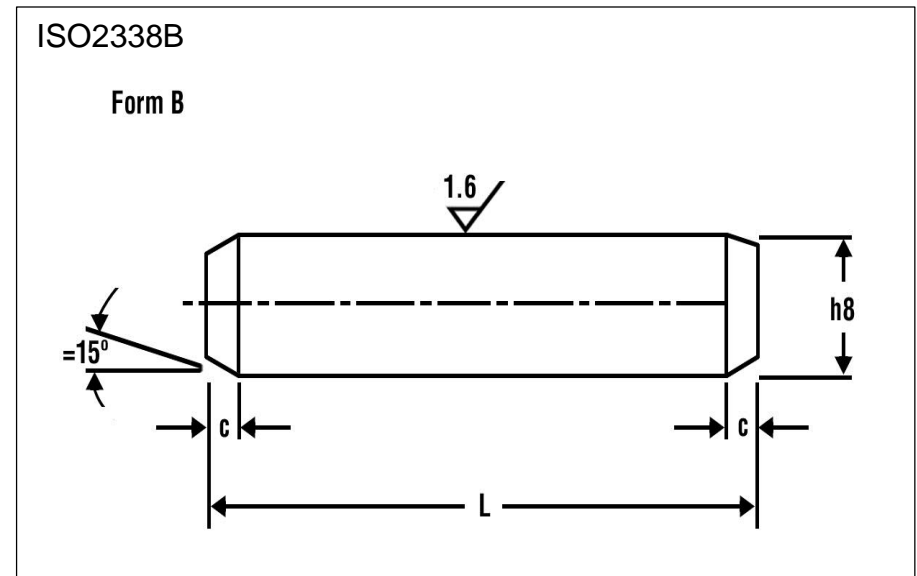
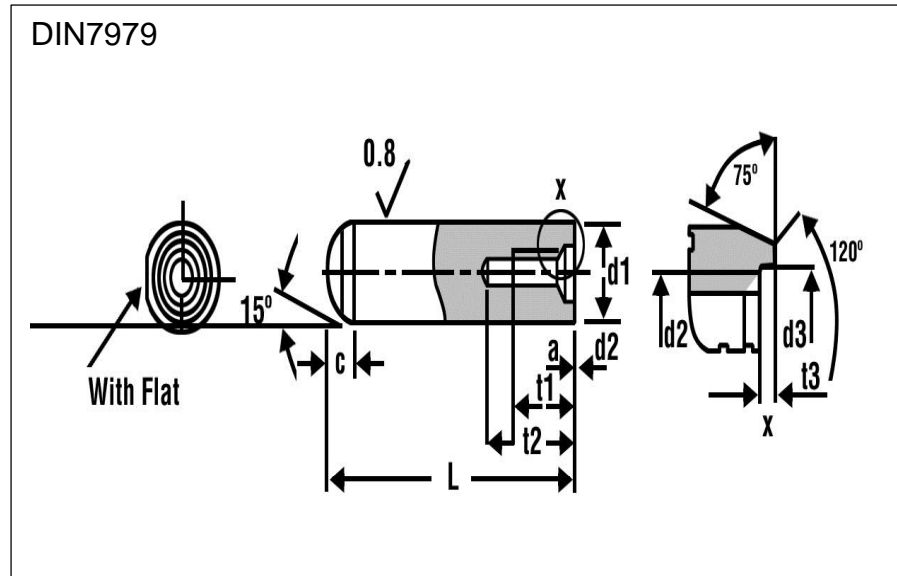


# Precision Plain & Tapped Dowel Pins

Assortment Kit Boxes Available **(Don't For Get our Extractor Tool)**

**TASMANINDUSTRIES**

MACHINING EXCELLENCE Since 1988  
ISO9001:2008



# Precision Plain & Tapped Dowel Pins

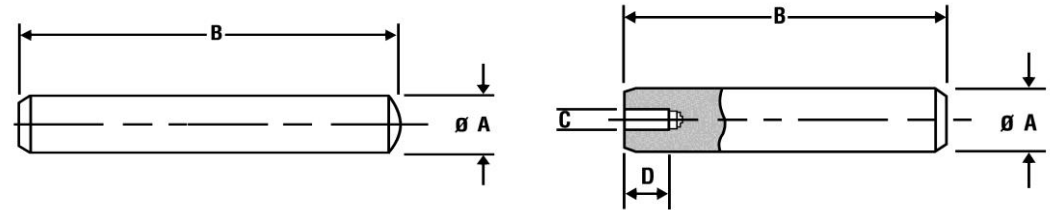
Assortment Kit Boxes Available (**Don't For Get our Extractor Tool**)

## ENGINEERS Precision Plain & Tapped Dowel Pins – BSI 804 Limits - Steel or Stainless Steel

Dowel pins can be supplied with or without an Air Release Flat.

1/16" & 3/32" unhardened (available on request)

1/16" to 1/8" Diameter are chamfered at both ends



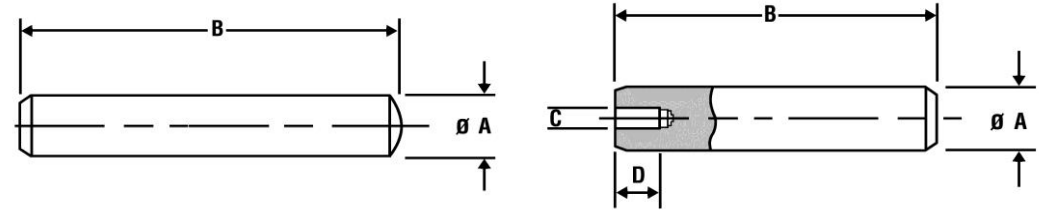
C = Thread Size »»»»»							4	3	2	1/4"	1/4"	1/4"	
							B.A	B.A	B.A	B.S.F	B.S.F	B.S.F	
Diameter	1/16"	3/32"	1/8"	5/32"	3/16"	7/32"	1/4"	5/16"	3/8"	1/2"	5/8"	3/4"	1"
Length	<b>Preferred Stock Length</b>												
1/4"				-	-	-	-	-	-	-	-	-	-
5/16"				-	-	-	-	-	-	-	-	-	-
3/8"													
7/16"						-	-	-	-	-	-	-	-
1/2"							Tapped	Tapped	Tapped		-	-	-
9/16"								-	-	-	-	-	-
5/8"							Tapped	Tapped	Tapped		-	-	-
3/4"							Tapped	Tapped	Tapped	Tapped	-	-	-
7/8"							Tapped	Tapped	Tapped	Tapped	-	-	-
1"							Tapped	Tapped	Tapped	Tapped	Tapped	-	-
1.1/8"	-	-					Tapped	Tapped	Tapped	Tapped	Tapped	-	-
1.1/4"	-	-					Tapped	Tapped	Tapped	Tapped	Tapped	-	-
1.3/8"	-	-					Tapped	Tapped	Tapped	Tapped	Tapped	-	-
1.1/2"	-	-					Tapped	Tapped	Tapped	Tapped	Tapped	Tapped	-
1.5/8"	-	-					Tapped	Tapped	Tapped	Tapped	Tapped	-	-
1.3/4"	-	-					Tapped	Tapped	Tapped	Tapped	Tapped	Tapped	-
1.7/8"	-	-					Tapped	Tapped	Tapped	Tapped	Tapped	-	-
2"	-	-					Tapped	Tapped	Tapped	Tapped	Tapped	Tapped	-

# Precision Plain & Tapped Dowel Pins

Assortment Kit Boxes Available **(Don't For Get our Extractor Tool)**

**TASMANINDUSTRIES**

MACHINING EXCELLENCE Since 1988  
ISO9001:2008



C = Thread Size »»»»»							4	3	2	1/4"	1/4"	1/4"	
							B.A	B.A	B.A	B.S.F	B.S.F	B.S.F	
Diameter	1/16"	3/32"	1/8"	5/32"	3/16"	7/32"	1/4"	5/16"	3/8"	1/2"	5/8"	3/4"	1"
Length	Preferred Stock Length												
2.1/8"	-	-	-	-	-	-	Tapped	Tapped	Tapped	Tapped	Tapped	Tapped	-
2.1/4"	-	-	-	-	-	-	Tapped	Tapped	Tapped	Tapped	Tapped	Tapped	-
2.3/8"	-	-	-	-	-	-	Tapped	Tapped	Tapped	Tapped	Tapped	Tapped	-
2.1/2"	-	-	-	-	-	-	Tapped	Tapped	Tapped	Tapped	Tapped	Tapped	-
2.5/8"	-	-	-	-	-	-	-	Tapped	Tapped	Tapped	Tapped	-	-
2.3/4"	-	-	-	-	-	-	Tapped	Tapped	Tapped	Tapped	Tapped	Tapped	-
2.7/8"	-	-	-	-	-	-	-	Tapped	Tapped	Tapped	Tapped	Tapped	-
3"	-	-	-	-	-	-	Tapped	Tapped	Tapped	Tapped	Tapped	Tapped	-
3.1/8"	-	-	-	-	-	-	-	Tapped	Tapped	Tapped	-	-	-
3.1/4"	-	-	-	-	-	-	-	Tapped	Tapped	Tapped	Tapped	Tapped	-
3.1/2"	-	-	-	-	-	-	-	Tapped	Tapped	Tapped	Tapped	Tapped	-
3.3/4"	-	-	-	-	-	-	-	-	Tapped	Tapped	Tapped	Tapped	-
4"	-	-	-	-	-	-	-	-	Tapped	Tapped	Tapped	Tapped	-
4.1/4"	-	-	-	-	-	-	-	-	-	-	Tapped	Tapped	-
4.1/2"	-	-	-	-	-	-	-	-	-	-	Tapped	Tapped	-
5"	-	-	-	-	-	-	-	-	-	-	Tapped	Tapped	-
5.1/4"	-	-	-	-	-	-	-	-	-	-	-	Tapped	-
5.1/2"	-	-	-	-	-	-	-	-	-	-	-	Tapped	-
6"	-	-	-	-	-	-	-	-	-	-	-	Tapped	-

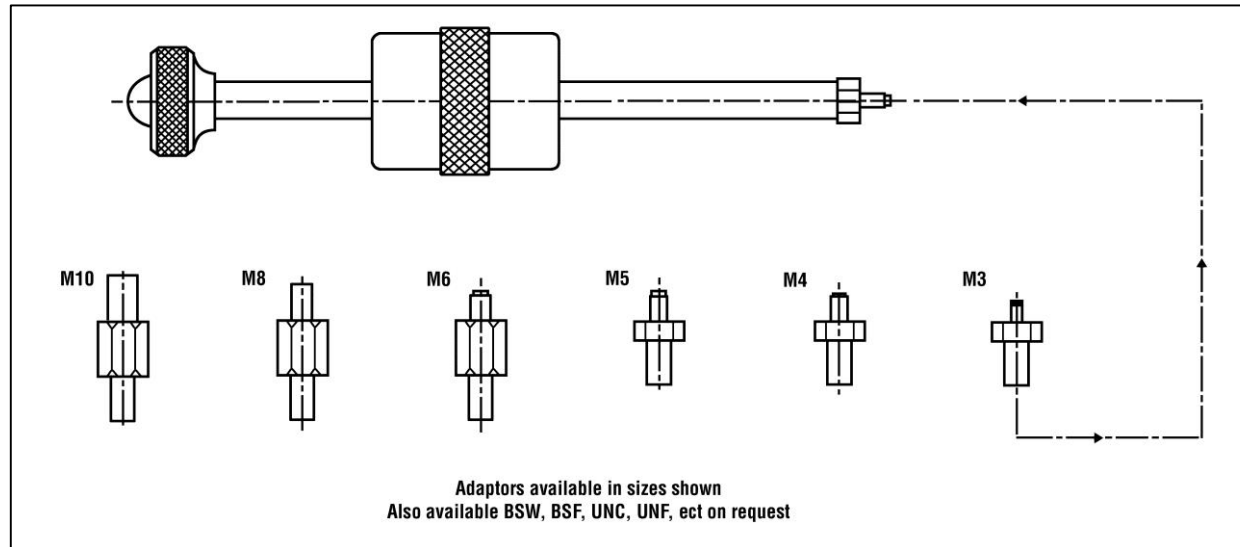
# Precision Plain & Tapped Dowel Pins

Assortment Kit Boxes Available **(Don't For Get our Extractor Tool)**

**TASMANINDUSTRIES**

MACHINING EXCELLENCE Since 1988  
ISO9001:2008

Tasman can supply a Dowel Pin Extractor Tool a range of adaptors are in various thread forms are available.



# Precision Plain & Tapped Dowel Pins

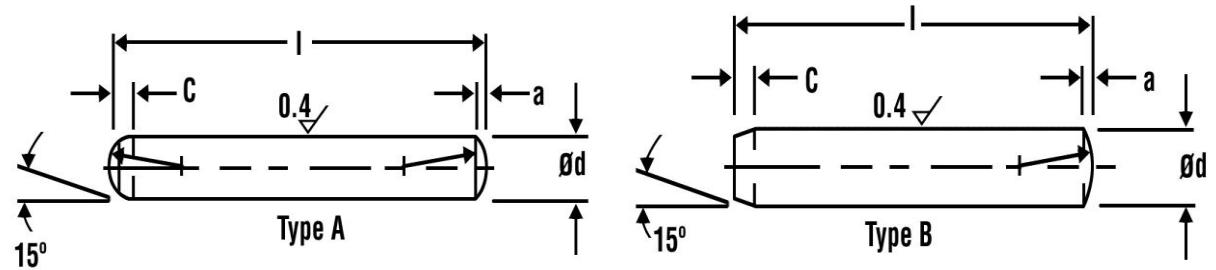
Assortment Kit Boxes Available **(Don't For Get our Extractor Tool)**

**TASMANINDUSTRIES**

MACHINING EXCELLENCE Since 1988  
ISO9001:2008

## ENGINEERS Precision Plain Pins – ISO8734A & ISO8734B - Steel

Type A through hardened steel  
 Type B hardened steel excluding 1mm to 3mm  
 (Available on request)  
 Metric range supplied as Hardened & Ground or  
 Soft Mild Steel.  
 1mm – 25mm Diameter  
 10mm – 100mm Length



m6 Tol	+ .002				+ .004			+ .006		+ .007		+ .008	
	+ .008				+ .012			+ .015		+ .018		+ .021	
Diameter	1	1.5	2	3	4	5	6	8	10	12	16	20	25
Length	<b>Preferred Stock Length</b>												
3		-	-	-	-	-	-	-	-	-	-	-	-
4			-	-	-	-	-	-	-	-	-	-	-
5				-	-	-	-	-	-	-	-	-	-
6					-	-	-	-	-	-	-	-	-
8					-	-	-	-	-	-	-	-	-
10						-	-	-	-	-	-	-	-
12							-	-	-	-	-	-	-
14	-							-	-	-	-	-	-
16	-								-	-	-	-	-
18	-	-								-	-	-	-
20	-	-									-	-	-
22	-	-	-									-	-
24	-	-	-										-
25	-	-	-	-									-
26	-	-	-	-									-
28	-	-	-	-									-
30	-	-	-	-									-

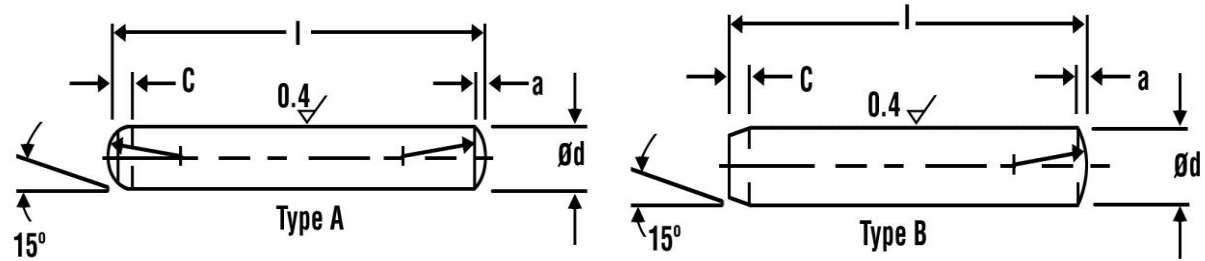
# Precision Plain & Tapped Dowel Pins

Assortment Kit Boxes Available **(Don't For Get our Extractor Tool)**

**TASMANINDUSTRIES**

MACHINING EXCELLENCE Since 1988  
ISO9001:2008

ENGINEERS Precision Plain Pins – ISO8734A & ISO8734B - Steel



m6 Tol	+ .002				+ .004				+ .006		+ .007		+ .008	
	+ .008				+ .012				+ .015		+ .018		+ .021	
Diameter	1	1.5	2	3	4	5	6	8	10	12	16	20	25	
Length	Preferred Stock Length													
32	-	-	-	-	-	-	-	-	-	-	-	-	-	
35	-	-	-	-	-	-	-	-	-	-	-	-	-	
40	-	-	-	-	-	-	-	-	-	-	-	-	-	
45	-	-	-	-	-	-	-	-	-	-	-	-	-	
50	-	-	-	-	-	-	-	-	-	-	-	-	-	
55	-	-	-	-	-	-	-	-	-	-	-	-	-	
60	-	-	-	-	-	-	-	-	-	-	-	-	-	
65	-	-	-	-	-	-	-	-	-	-	-	-	-	
70	-	-	-	-	-	-	-	-	-	-	-	-	-	
75	-	-	-	-	-	-	-	-	-	-	-	-	-	
80	-	-	-	-	-	-	-	-	-	-	-	-	-	
85	-	-	-	-	-	-	-	-	-	-	-	-	-	
90	-	-	-	-	-	-	-	-	-	-	-	-	-	
95	-	-	-	-	-	-	-	-	-	-	-	-	-	
100	-	-	-	-	-	-	-	-	-	-	-	-	-	
110	-	-	-	-	-	-	-	-	-	-	-	-	-	
120	-	-	-	-	-	-	-	-	-	-	-	-	-	



# Precision Plain & Tapped Dowel Pins

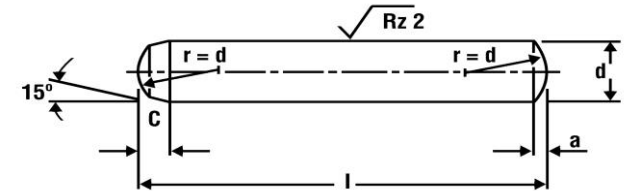
Assortment Kit Boxes Available **(Don't For Get our Extractor Tool)**

**TASMANINDUSTRIES**

MACHINING EXCELLENCE Since 1988  
ISO9001:2008

## ENGINEERS Precision Plain Pins – DIN6325 - Steel 100Cr6

Dowel pins offered in this standard are through hardened  
60 ± 2 HRC and ground to an m6 finish



d Dia m6	1	1.5	2	2.5	3	4	5	6	8	10	12	16	20
<b>a</b>	0.01	0.20	0.25	0.30	0.40	0.50	0.63	0.80	1.00	1.20	1.60	2.00	2.50
<b>c</b>	0.5	0.6	0.8	1	1.2	1.4	1.7	2.1	2.6	3	3.8	4.6	6
<b>r<sub>1</sub> min</b>	-	0.2	0.2	0.3	0.3	0.4	0.4	0.4	0.5	0.6	0.6	0.8	0.8
<b>max</b>	-	0.6	0.6	0.7	0.8	0.9	1	1.1	1.3	1.4	1.6	1.8	2
<b>Length</b>	<b>Preferred Stock Length</b>												
4	-		-	-	-	-	-	-	-	-	-	-	-
5			-	-	-	-	-	-	-	-	-	-	-
6					-	-	-	-	-	-	-	-	-
8						-	-	-	-	-	-	-	-
10								-	-	-	-	-	-
12	-							-	-	-	-	-	-
14	-								-	-	-	-	-
16	-								-	-	-	-	-
18	-	-								-	-	-	-
20	-	-									-	-	-
24	-	-										-	-
28	-	-										-	-
32	-	-										-	-
35	-	-	-	-								-	-
40	-	-	-	-									-
45	-	-	-	-	-								-

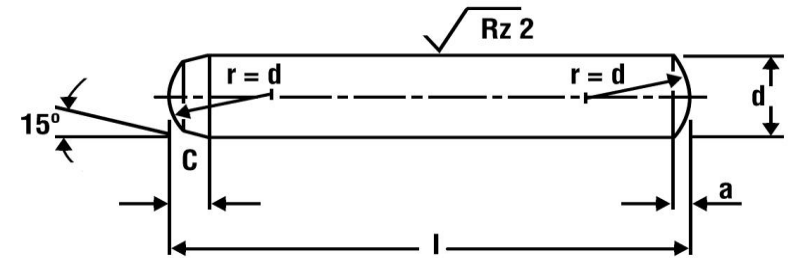
# Precision Plain & Tapped Dowel Pins

Assortment Kit Boxes Available **(Don't For Get our Extractor Tool)**

**TASMANINDUSTRIES**

MACHINING EXCELLENCE Since 1988  
ISO9001:2008

ENGINEERS Precision Plain Pins – DIN6325 - Steel 100Cr6



d Dia m6	1	1.5	2	2.5	3	4	5	6	8	10	12	16	20	
<b>a</b>	0.01	0.20	0.25	0.30	0.40	0.50	0.63	0.80	1.00	1.20	1.60	2.00	2.50	
<b>c</b>	0.5	0.6	0.8	1	1.2	1.4	1.7	2.1	2.6	3	3.8	4.6	6	
<b>r<sub>1</sub> min</b>	-	0.2	0.2	0.3	0.3	0.4	0.4	0.4	0.5	0.6	0.6	0.8	0.8	
<b>max</b>	-	0.6	0.6	0.7	0.8	0.9	1	1.1	1.3	1.4	1.6	1.8	2	
<b>Length</b>	<b>Preferred Stock Length</b>													
50	-	-	-	-	-									-
55	-	-	-	-	-									-
60	-	-	-	-	-									-
70	-	-	-	-	-	-								-
80	-	-	-	-	-	-	-							-
90	-	-	-	-	-	-	-	-						-
100	-	-	-	-	-	-	-	-						-
120	-	-	-	-	-	-	-	-	-	-	-	-	-	-

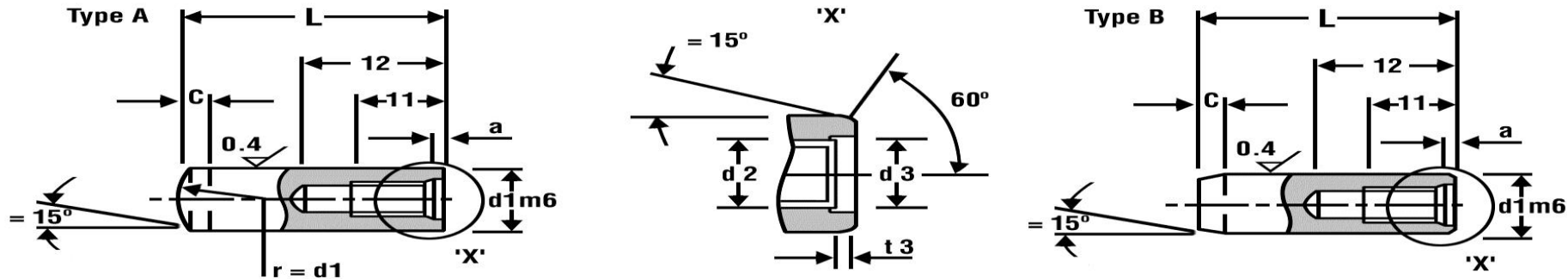
# Precision Plain & Tapped Dowel Pins

Assortment Kit Boxes Available (**Don't For Get our Extractor Tool**)

**TASMANINDUSTRIES**

MACHINING EXCELLENCE Since 1988  
ISO9001:2008

ENGINEERS Precision Tapped Dowel Pins – ISO8735A & ISO8735B - Steel and Stainless Steel



m6 Tol	+ .004	+ .006	+ .006	+ .007	+ .007	+ .008	+ .008	+ .006	+ .007	+ .007
	+ .012	+ .015	+ .015	+ .018	+ .018	+ .021	+ .021			
Diameter	6	8	10	12	16	20	25	30	40	50
Length	<b>Preferred Stock Length</b>									
16			-	-	-	-	-	-	-	-
18	-	-	-	-	-	-	-	-	-	-
20				-	-	-	-	-	-	-
22	-	-	-	-	-	-	-	-	-	-
24				-	-	-	-	-	-	-
25					-	-	-	-	-	-
28					-	-	-	-	-	-
30						-	-	-	-	-
32					-	-	-	-	-	-

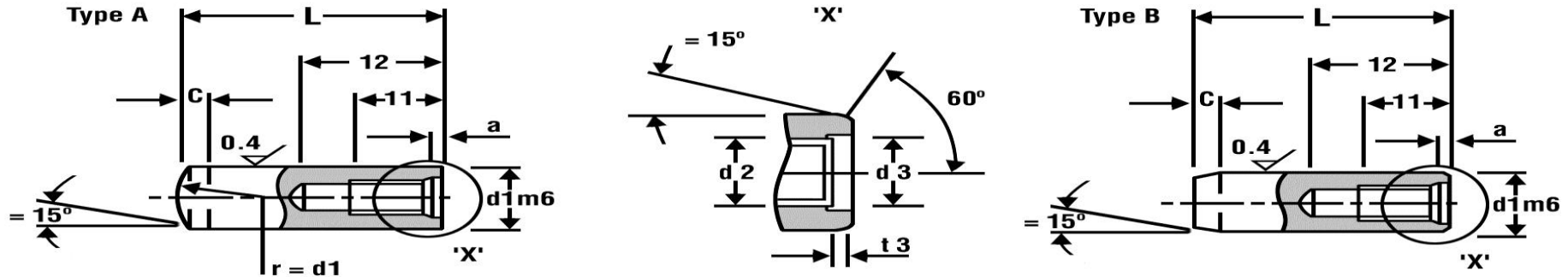
# Precision Plain & Tapped Dowel Pins

Assortment Kit Boxes Available (**Don't For Get our Extractor Tool**)

**TASMANINDUSTRIES**

MACHINING EXCELLENCE Since 1988  
ISO9001:2008

ENGINEERS Precision Tapped Dowel Pins – ISO8735A & ISO8735B - Steel and Stainless Steel



m6 Tol	+ .004	+ .006	+ .006	+ .007	+ .007	+ .008	+ .008	+ .006	+ .007	+ .007
	+ .012	+ .015	+ .015	+ .018	+ .018	+ .021	+ .021			
Diameter	6	8	10	12	16	20	25	30	40	50
Length	<b>Preferred Stock Length</b>									
35								-	-	-
40								-	-	-
45									-	-
50									-	-
55									-	-
60									-	-
65	-								-	-
70	-								-	-

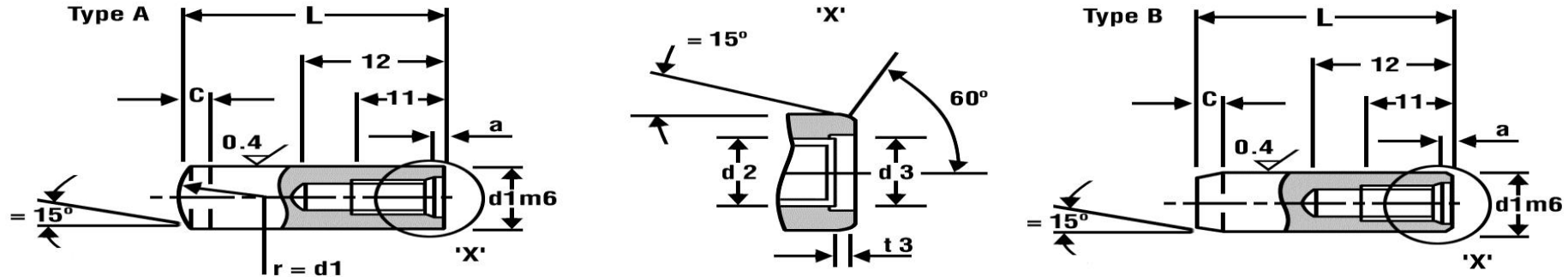
# Precision Plain & Tapped Dowel Pins

Assortment Kit Boxes Available (**Don't For Get our Extractor Tool**)

**TASMANINDUSTRIES**

MACHINING EXCELLENCE Since 1988  
ISO9001:2008

ENGINEERS Precision Tapped Dowel Pins – ISO8735A & ISO8735B - Steel and Stainless Steel



m6 Tol	+ .004	+ .006	+ .006	+ .007	+ .007	+ .008	+ .008	+ .006	+ .007	+ .007
	+ .012	+ .015	+ .015	+ .018	+ .018	+ .021	+ .021			
Diameter	6	8	10	12	16	20	25	30	40	50
Length	Preferred Stock Length									
75	-	-	-	-	-	-	-	-	-	-
80	-	-						-	-	-
85	-	-	-	-	-	-	-	-	-	-
90	-	-	-	-				-	-	-
95	-	-	-	-	-	-	-	-	-	-
100	-	-						-	-	-
120	-	-	-	-	-			-	-	-
140	-	-	-	-	-	-	-	-	-	-
160	-	-	-	-	-	-	-	-	-	-
180	-	-	-	-	-	-	-	-	-	-
200	-	-	-	-	-	-	-	-	-	-

# Precision Plain & Tapped Dowel Pins

Assortment Kit Boxes Available (**Don't For Get our Extractor Tool**)

m6 Tol	+ .004	+ .006	+ .006	+ .007	+ .007	+ .008	+ .008	+ .006	+ .007	+ .007
	+ .012	+ .015	+ .015	+ .018	+ .018	+ .021	+ .021			
Diameter	6	8	10	12	16	20	25	30	40	50
a	0.8	1	1.2	1.6	2	2.5	3	4	5	6.3
c	2.1	2.6	3	3.8	4.6	6	6	7	8	10
d2	M3*	M4*	M6	M6	M8	M10	M16	M20	,20	M24
d3	4.3	5.3	6.4	6.4	8.4	10.5	17	21	21	25
t1	6	8	10	12	16	18	24	30	30	36
t2	10	12	16	20	25	28	35	40	40	50
t3	1	1.2	1.2	1.2	1.5	1.5	2	2	2.5	2.5

6mm & 8mm Dia may vary in size please ask tapped size at enquiry stage.

# Precision Plain & Tapped Dowel Pins

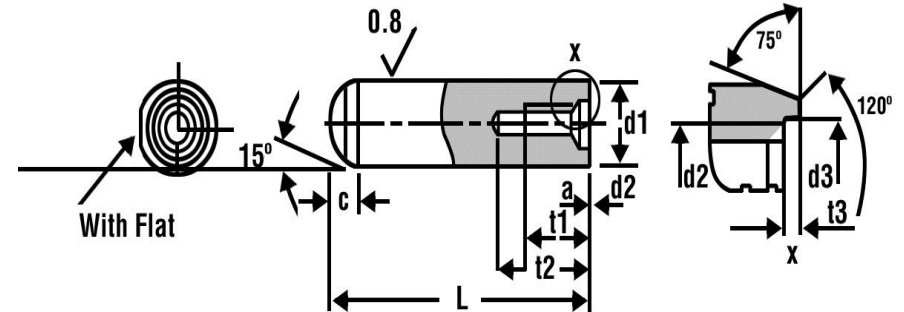
Assortment Kit Boxes Available **(Don't For Get our Extractor Tool)**

**TASMANINDUSTRIES**

MACHINING EXCELLENCE Since 1988  
ISO9001:2008

## ENGINEERS Precision Tapped Dowel Pins – DIN7979 - Steel 100Cr6

Supplied with or without an Air flat  
Hardness 600 - 700 HVI precision ground to  
m6 tolerance.



d Dia m6	6	8	10	12	16	20
d2	M4	M5	M6	M6	M8	M10
d3	4.3	5.3	6.4	6.4	8.4	10.5
t1	6	8	10	10	12	16
t2 min	10	12	16	16	20	25
t3	1	1.2	1.2	1.2	1.5	1.5
a	0.8	1.0	1.2	1.6	2.0	2.5
c	2.1	2.6	3.0	3.9	4.6	6.0
<b>Length</b>	<b>Preferred Stock Length</b>					
16		-	-	-	-	-
18		-	-	-	-	-
20			-	-	-	-
24				-	-	-
28				-	-	-
32					-	-
35					-	-
40						-

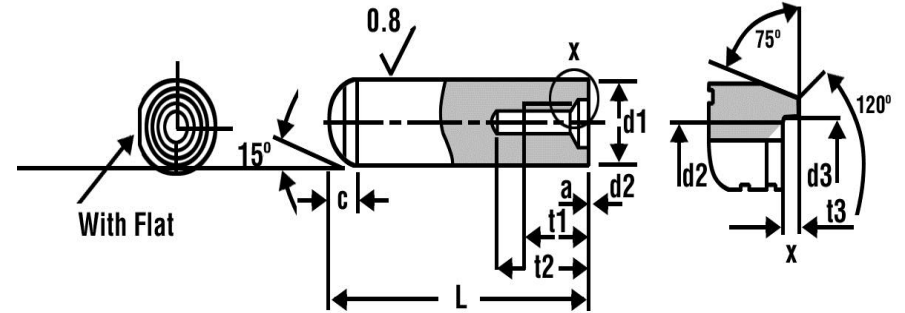
# Precision Plain & Tapped Dowel Pins

Assortment Kit Boxes Available **(Don't For Get our Extractor Tool)**

**TASMANINDUSTRIES**

MACHINING EXCELLENCE Since 1988  
ISO9001:2008

ENGINEERS Precision Tapped Dowel Pins – DIN7979 - Steel 100Cr6



d Dia m6	6	8	10	12	16	20
d2	M4	M5	M6	M6	M8	M10
d3	4.3	5.3	6.4	6.4	8.4	10.5
t1	6	8	10	10	12	16
t2 min	10	12	16	16	20	25
t3	1	1.2	1.2	1.2	1.5	1.5
a	0.8	1.0	1.2	1.6	2.0	2.5
c	2.1	2.6	3.0	3.9	4.6	6.0
<b>Length</b>	<b>Preferred Stock Length</b>					
45						-
50						-
55						-
60						-
70	-					-
80	-					-
90	-	-				-
100	-	-				-



# Precision Plain & Tapped Dowel Pins

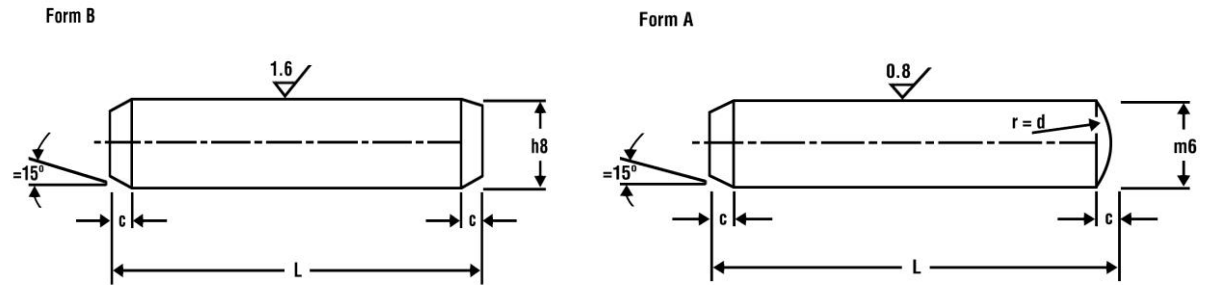
Assortment Kit Boxes Available **(Don't For Get our Extractor Tool)**

**TASMAN INDUSTRIES**

MACHINING EXCELLENCE Since 1988  
ISO9001:2008

**ENGINEERS Precision Plain Dowel Pins – ISO2338B & ISO23384 – Standard Stock Material Stainless Steel A2 & A4**

Non stocked pins available on a short lead time.



ISO 2338 B												
d Dia h8	1mm	1.5mm	2mm	2.5mm	3mm	4mm	5mm	6mm	8mm	10mm	12mm	16mm
c	0.2	0.3	0.35	0.4	0.5	0.63	0.8	1.2	1.6	2	2.5	3
ISO 2338 A												
Available as 1992 standard Dome / Chamfer or 1998 standard Chamfer / Chamfer please refer to drawings												
d Dia m6	1mm	1.5mm	2mm	2.5mm	3mm	4mm	5mm	6mm	8mm	10mm	12mm	16mm
c	0.2	0.3	0.35	0.4	0.05	0.63	0.8	1.2	1.6	2	2.5	3
a	0.12	0.2	0.25	0.3	0.4	0.5	0.63	0.8	1	1.2	1.6	2
Length	<b>Preferred Stock Length</b>											
5												
8												
10												
12												
16	-											
20	-	-										
24	-	-	-									
30	-	-	-	-								
35	-	-	-	-	-							

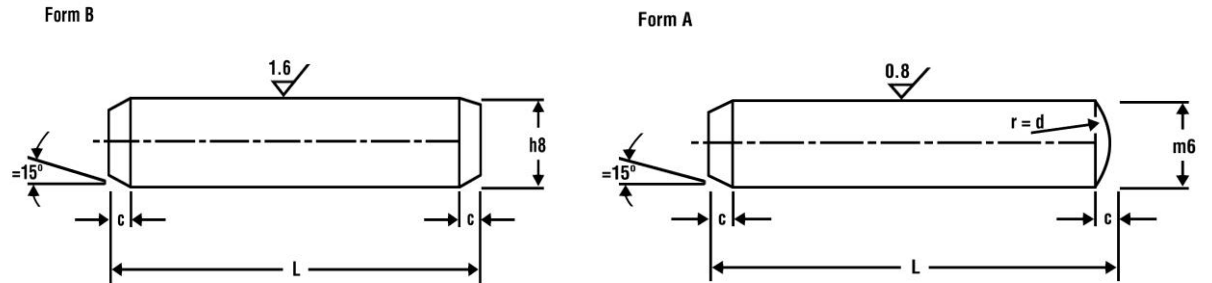
# Precision Plain & Tapped Dowel Pins

Assortment Kit Boxes Available **(Don't For Get our Extractor Tool)**

**TASMAN INDUSTRIES**

MACHINING EXCELLENCE Since 1988  
ISO9001:2008

**ENGINEERS Precision Plain Dowel Pins – ISO2338B & ISO23384 – Standard Stock Material Stainless Steel A2 & A4**



ISO 2338 B												
d Dia h8	1mm	1.5mm	2mm	2.5mm	3mm	4mm	5mm	6mm	8mm	10mm	12mm	16mm
c	0.2	0.3	0.35	0.4	0.5	0.63	0.8	1.2	1.6	2	2.5	3
ISO 2338 A												
Available as 1992 standard Dome / Chamfer or 1998 standard Chamfer / Chamfer please refer to drawings												
d Dia m6	1mm	1.5mm	2mm	2.5mm	3mm	4mm	5mm	6mm	8mm	10mm	12mm	16mm
c	0.2	0.3	0.35	0.4	0.05	0.63	0.8	1.2	1.6	2	2.5	3
a	0.12	0.2	0.25	0.3	0.4	0.5	0.63	0.8	1	1.2	1.6	2
Length	Preferred Stock Length											
36	-	-	-	-	-	-	-	-	-	-	-	-
40	-	-	-	-	-	-	-	-	-	-	-	-
45	-	-	-	-	-	-	-	-	-	-	-	-
50	-	-	-	-	-	-	-	-	-	-	-	-
60	-	-	-	-	-	-	-	-	-	-	-	-
80	-	-	-	-	-	-	-	-	-	-	-	-
100	-	-	-	-	-	-	-	-	-	-	-	-
120	-	-	-	-	-	-	-	-	-	-	-	-

# Precision Plain & Tapped Dowel Pins

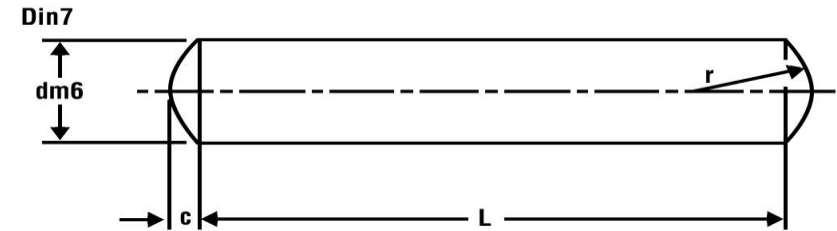
Assortment Kit Boxes Available **(Don't For Get our Extractor Tool)**

**TASMANINDUSTRIES**

MACHINING EXCELLENCE Since 1988  
ISO9001:2008

**ENGINEERS Precision Plain Dowel Pins – DIN7 – Standard Stock Material A2 & A4 Stainless Steel & Mild Steel**

Also available as type B h8 tolerance on the diameter,  
1.4571 Stainless steel are generally available on request.  
Please note domed ends are not included on dimension  
L so overall length is slightly larger.  
Please refer to the tables below for further information.



d Dia	0.8mm	1mm	1.2mm	1.5mm	2mm	2.5mm	3mm	4mm	5mm	6mm	8mm	10mm
<b>m6</b>	+0.008							+0.012			+0.015	
	+0.002							+0.004			+0.006	
<b>c max</b>	0.12	0.15	0.18	0.23	0.30	0.14	0.45	0.60	0.75	0.90	1.2	1.5
<b>r »</b>	0.8	1	1.2	1.6	2	2.5	3	4	5	6	8	10
<b>Length</b>	<b>Preferred Stock Length</b>											
2		-	-	-	-	-	-	-	-	-	-	-
3					-	-	-	-	-	-	-	-
4								-	-	-	-	-
5										-	-	-
6											-	-
8												-
10	-											
12	-											
14	-	-										
16	-	-	-									
18	-	-	-	-								
20	-	-	-	-								

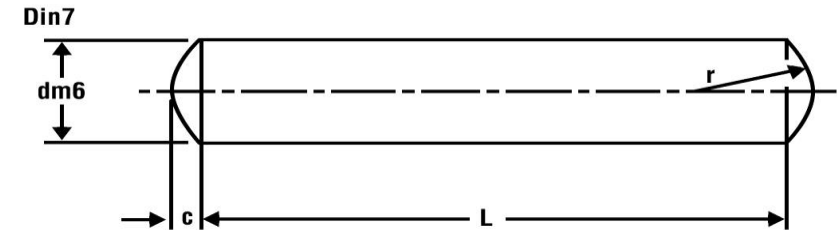
# Precision Plain & Tapped Dowel Pins

Assortment Kit Boxes Available (**Don't For Get our Extractor Tool**)

**TASMANINDUSTRIES**

MACHINING EXCELLENCE Since 1988  
ISO9001:2008

ENGINEERS Precision Plain Dowel Pins – DIN7 – Standard Stock Material A2 & A4 Stainless Steel & Mild Steel



d Dia	0.8mm	1mm	1.2mm	1.5mm	2mm	2.5mm	3mm	4mm	5mm	6mm	8mm	10mm
<b>m6</b>	+0.008						+0.012			+0.015		
	+0.002						+0.004			+0.006		
<b>c max</b>	0.12	0.15	0.18	0.23	0.30	0.14	0.45	0.60	0.75	0.90	1.2	1.5
<b>r »</b>	0.8	1	1.2	1.6	2	2.5	3	4	5	6	8	10
<b>Length</b>	<b>Preferred Stock Length</b>											
24	-	-	-	-	-	-	-	-	-	-	-	-
28	-	-	-	-	-	-	-	-	-	-	-	-
32	-	-	-	-	-	-	-	-	-	-	-	-
36	-	-	-	-	-	-	-	-	-	-	-	-
40	-	-	-	-	-	-	-	-	-	-	-	-
45	-	-	-	-	-	-	-	-	-	-	-	-
50	-	-	-	-	-	-	-	-	-	-	-	-
55	-	-	-	-	-	-	-	-	-	-	-	-
60	-	-	-	-	-	-	-	-	-	-	-	-
70	-	-	-	-	-	-	-	-	-	-	-	-
80	-	-	-	-	-	-	-	-	-	-	-	-
90	-	-	-	-	-	-	-	-	-	-	-	-
100	-	-	-	-	-	-	-	-	-	-	-	-

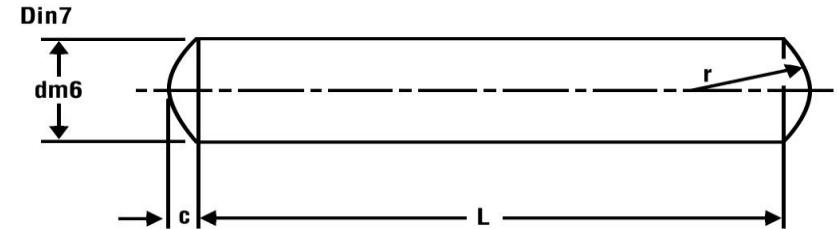
# Precision Plain & Tapped Dowel Pins

Assortment Kit Boxes Available **(Don't For Get our Extractor Tool)**

**TASMANINDUSTRIES**

MACHINING EXCELLENCE Since 1988  
ISO9001:2008

ENGINEERS Precision Plain Dowel Pins – DIN7 – Standard Stock Material A2 & A4 Stainless Steel & Mild Steel



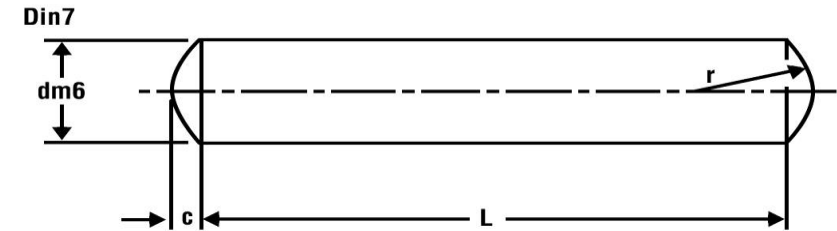
d Dia	12mm	14mm	16mm	20mm	25mm	30mm	40mm	50mm	
<b>m6</b>	+0.018			+0.021			+0.025		
	+0.007			+0.008			+0.009		
<b>c max</b>	1.80	2.00	2.50	3.00	4.00	4.50	6.00	7.50	
<b>r »</b>	12	16	16	20	25	32	40	50	
<b>Length</b>	<b>Preferred Stock Length</b>								
5	-	-	-	-	-	-	-	-	
6	-	-	-	-	-	-	-	-	
8	-	-	-	-	-	-	-	-	
10		-	-	-	-	-	-	-	
12			-	-	-	-	-	-	
14				-	-	-	-	-	
16					-	-	-	-	
18						-	-	-	
20							-	-	
24								-	
28									-
32									
36									
40									
45									
50									

# Precision Plain & Tapped Dowel Pins

Assortment Kit Boxes Available **(Don't For Get our Extractor Tool)**

**TASMANINDUSTRIES**

MACHINING EXCELLENCE Since 1988  
ISO9001:2008



d Dia	12mm	14mm	16mm	20mm	25mm	30mm	40mm	50mm	
<b>m6</b>	+0.018			+0.021			+0.025		
	+0.007			+0.008			+0.009		
<b>c max</b>	1.80	2.00	2.50	3.00	4.00	4.50	6.00	7.50	
<b>r »</b>	12	16	16	20	25	32	40	50	
<b>Length</b>	<b>Preferred Stock Length</b>								
55									
60									
70									
80									
90									
100									
120									
140	-								
160	-								
180	-	-							