

# Airless Material Sprayers



## INDEX

Why Airlessco?.....	p. 3
MP18 .....	p. 4
AHS1513 & AHS3023 .....	p. 5
LP400 & LP500 .....	p. 6
LP600 & LP700 .....	p. 7
SL800 & SL1100 .....	p. 8
GS800 - GS6250 & TS6500 .....	p. 9
TS1500 .....	p. 10
HSS9000 & HSS11000.....	p. 11
Accessories .....	p. 12-13
Airlessco spraying selection guide.....	p. 14-15

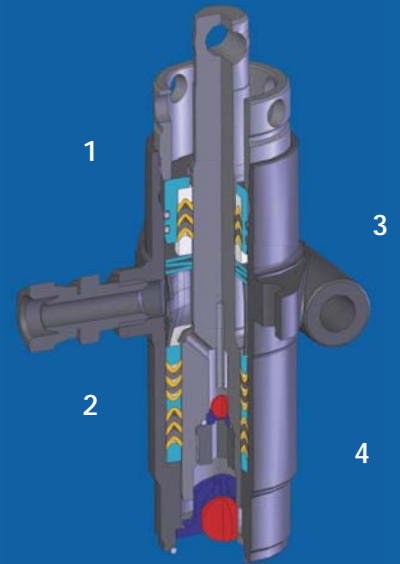
# ABOUT AIRLESSCO

Professional Airless Paint Spraying Equipment

Introduced in 1975, Airlessco products are consistently reliable for painting contractors and the equipment industry. Professional painters depend on their machines every day, so we continuously improve these to make them easier to use.

Airlessco paint sprayers pump high quantities of paint with little maintenance and a long service life. Airlessco not only provides paint sprayers, but also a complete line of parts and accessories, as well as multi-lingual technical advice when needed.

Thank you for considering Airlessco!



1. Patented Triple-Life Packing with upper & lower packings adjustable from outside the pump (Airlessco Exclusive!) for a long packing life, saving you time and money.
2. Super hardened, 1-piece, stainless steel piston. Large diameter means fewer cycles.
3. Tungsten carbide seats increase flow & provide a longer life.
4. Self-centering, high-flow ball cage delivers positive valve operation for extended ball and seat life.

## WHY AIRLESSCO?



### SAFER, DURABLE DC MOTORS LP, SL & TS SERIES SPRAYERS

Light-duty high speed motors require complex gear boxes to reduce speed.

Airlessco's bigger motor turns slower, so a single gear drives the pump. Motors are totally enclosed for safety & durability.



### BIGGER STAINLESS STEEL PISTON LASTS LONGER LP, SL, TS & GS SERIES SPRAYERS

Smaller displacement pistons require more strokes per liter pumped, increasing wear.

Airlessco's Slow Stroker™ piston is made of hardened stainless steel. Fewer strokes per liter mean a longer piston life, packing, valve ball and seat life.



### ADJUSTABLE PACKINGS REDUCE COSTLY DOWNTIME LP, SL & GS SERIES SPRAYERS

Airlessco's exclusive LP & SL pump design lets you tighten upper and lower packing tension **from outside the pump!** The result is **3 times more packing life!**

# MP18

- Your sprayer will be ready to spray in seconds thanks to Airless piston pump technology. It delivers a comparable performance to professional corded sprayers.
- The MP18 technology provides a consistent, even spray pattern for one-pass coverage with a quality finish.
- This portable sprayer allows you to move around from one jobsite to another.

## CAN BE USED AS:

- A maintenance gun to repaint objects
- A repair gun to cover up walls

Sprays a wide range of waterbased paints and is an ideal tool to spray rooms with different colour walls, ceilings, doors, radiators, furniture, carports, garden houses, etc...



MP18

## SPECIFICATIONS

	MP18
Part number	24E822
Max. tip size	0.015"
Max. pressure - bar	138 bar
Delivered with 411 + 515 tip, 2 x 60 mesh tip filter, 2 x 18 V Lithium Ion batteries, battery charger, 1 liter cup, 5 cup liners.	



### Storage case

Durable all-in-one case protects all components inside. Extra room for tips, rags, filters and paint supplies.



### PST reversible tips

Integrated ProSpray™ tip and guard avoids spitting. Available in several sizes for light to heavy material.



### Prime Valve

For quick priming and pressure release.



### 1l paint cup, delivered with:

- Adjustable suction tubes
- 5 disposable cup liners
- A cover for paint storage



### Lithium Ion Battery Charger

45 min charge time for 80% performance. Delivered with 2 batteries.

# AHS1513 & AHS3023

## WORKS WITH:

- Oils
- Lacquers
- Primers
- Inside and outside paints
- Fire retardants
- Corrosion protective paints\*

*\* Always consult technical data-sheets of the material manufacturer, before heating materials*

- Use AHS1513 for fine finish jobs such as doors, radiators, furniture or to reduce overspray in renovation projects.
- Use AHS3023 to reduce overspray during the spraying of facades or fire retardants.
- Adjustable Temperature Control up to 60°C, set the temperature recommended by your paint manufacturer to reach optimal spraying conditions.



AHS1513



AHS3023

## SPECIFICATIONS

	AHS1513	AHS3023
Part number	24E661	24E662
Hose length	15 m	30 m
Additional whip hose	3/16" x 1.5 m	3/16" x 1.5 m
Max. tip size	0.013"	0.023"
Performance	1500 W	2100 W
Max. temperature - °C	60°	60°
Standard temperature settings - °C	30°	45°
Max. pressure	230 bar	230 bar
Power consumption - Voltage	6,5 A - 230 VAC	10 A - 230 VAC



**Variable temperature setting:**

- Switch on the AHS
- Select temp with + or -
- Confirm temp and spray



**Extra plug:** Plug your sprayer in the socket. Prime your unit. Switch on your AHS and increase pressure slowly.



**1.5 m Whip Hose**  
For comfortable spraying on scaffoldings and elevators.



**Easy to use**  
Only one switch to activate/deactivate your AHS.



**Quick connector**  
Easy and safe to install, conform to safety specifications.

# LP400 & LP500

## SPRAYS:

- Stains
- Varnish
- Primers
- Enamels
- Interior wall paints
- Anti-corrosive lacquers

- Reliable, pulsation-free electronic pressure control system
- A totally enclosed DC motor with external fan cooling
- Oversized slow-stroking hardened stainless steel piston pump
- An EXTERNALLY adjustable triple-life packing system
- Stainless steel piston and pump body.



LP400 Carry



LP500 Carry



LP500 HiBoy

## SPECIFICATIONS

	LP400 Carry	LP500 Carry	LP500 HiBoy
Part number - 110 V	16M378	16M379	16M380
Part number - 230 V	16M371	16M372	16M373
Maximum tip size	0.021"	0.023"	0.023"
Flow per minute	1.75 l	2.0 l	2.0 l
Maximum pressure	205 bar	205 bar	205 bar
Weight	19 kg	19 kg	29 kg
Maximum hose	15 m	15 m	15 m
Motor	0.5 hp	0.5 hp	0.5 hp



Digital display for precise control of pulsation-free spray pressure up to 205 bar.



Adjust upper & lower packings without taking the pump apart, an Airlessco exclusive!



All include ProLight™ convertible gun with 50' ¼" high pressure airless hose + 517" tip.



Low cost bolt-on replacement pump is available for easy field repairs.



Totally enclosed motors have external fan to cool housing.

# LP600 & LP700

- To spray medium to large new residential projects and medium-sized commercial buildings
- All sprayers are equipped with ProLight™ convertible gun & hose

## SPRAYS:

- Stains
- Varnish
- Primers
- Enamels
- Interior wall paints
- Anti-corrosive lacquers
- Acrylics



## SPECIFICATIONS

	LP600 HiBoy	LP700 HiBoy
Part number - 110 V	16M381	16M382
Part number - 230 V	16M374	16M375
Maximum tip size	0.025"	0.027"
Flow per minute	2.5 l	2.8 l
Maximum pressure	205 bar	205 bar
Weight	34 kg	34 kg
Maximum hose	15 m	15 m
Motor	1 hp	1 hp



Compact design allows easy transport. Fits in the boot of your car.

### HIBOY EXCLUSIVE FEATURES



High pressure filter has threads on the inside to prevent accidental damage.



Easy to move a 20 liter bucket with sprayer!



Robust steel motor shroud to protect motor against dust.

# SL800 & SL1100

- Big pump power that supports multiple guns
- To spray large new residential projects, medium to large commercial buildings and for industrial use
- Powered by an industrial, totally enclosed, high torque DC motor
- Digital pressure system with LCD display
- Variable speed and triple-life packings

## SPRAYS:

- Stains
- Varnish
- Primers
- Enamels
- Interior wall paints
- Anti-corrosive lacquers
- Acrylics
- Exterior paint
- Anti-corrosive paint



## SPECIFICATIONS

	SL800	SL1100
Part number - 110V	16M383	16M384
Part number - 230V	16M376	16M377
Maximum tip size - 1 gun	0.029"	0.031"
Maximum tip size - 2 guns	0.019"	0.021"
Flow per minute	3 l	4 l
Maximum pressure	3000 psi / 207 bar	3000 psi / 207 bar
Weight	61 kg	64 kg
Maximum hose	30 m	30 m
Motor - 110V / 230V	1.25 hp / 1 hp	1.25 hp / 1.25 hp



Sturdy ball bearing supported by crankshaft.



Toothed belt motor drive needs no maintenance.



SL Pump handles heavy coatings like elastomers.



High pressure filter threads on the inside prevent damage.



All include ProLight™ convertible gun with 50' ¼" high pressure airless hose + 517" tip.



# GS800 & GS6250

- To spray large new residential projects, medium to large commercial buildings and for industrial use, where there is no power supply
- GS6250 set-up with direct immersion suction tube for heavy materials

# TS6500

- TS6500 for airless spraying of plasters, waterproofing, to apply textured coatings (with air-assisted gun) and high flow compressor
- TS6500 delivers unprecedented suction with an oversized bottom mounted foot valve
- The units contain a Honda GX160 dual coil engine with OilAlert™

## SPRAYS:

### GS800 & GS6250

- Stains
- Varnish
- Primers
- Enamels
- Interior wall paints
- Anti-corrosive lacquers
- Acrylics
- Exterior paint
- Anti-corrosive paint

### TS6500

- Interior wall paints
- Anti-corrosive lacquers
- Acrylics
- Exterior paint
- Anti-corrosive paint
- Fire-retardant
- Light inside plaster
- Premixed plaster
- Protective coatings



## SPECIFICATIONS

	GS800	GS6250	TS6500
Part number	16M531	16M532	16M533
Maximum tip size - 1 gun	0.029"	0.041"	0.041"
Maximum tip size - 2 guns	-	0.029"	0.029"
Flow per minute	3 l	5 l	6 l
Maximum pressure	205 bar	205 bar	205 bar
Weight	52 kg	62 kg	63 kg
Maximum hose	30 m	30 m	45 m
Motor Honda GX160	5.5 hp	5.5 hp	5.5 hp

# TS1500

- The TS1500 airless texture sprayer is the choice of the high-volume contractor who wants a machine to spray all paints and heavy coatings such as plaster.
- The most powerful electric unit in the range capable of handling 2 guns and long hoses
- LCD digital display with electronic sensing pressure control
- Intelligent board with Digital Tracking System (DTS), maintenance indication software
- Rolls easily over rough terrain thanks to big pneumatic wheels
- Large residential projects and commercial and industrial use

## SPRAYS:

- Interior wall paints
- Anti-corrosive lacquers
- Acrylics
- Exterior paint
- Anti-corrosive paint
- Fire-retardant
- Light Inside plaster
- Premixed plaster
- Protective coatings



TS1500

## SPECIFICATIONS

	TS1500
Part number - 110V	16N173
Part number - 230V	16K548
Maximum tip size - paint (1 gun)	0.033"
Maximum tip size - paint (2 guns)	0.022"
Maximum tip size - plaster	0.037"
Maximum pressure	227 bar
Weight	59 kg
Maximum hose	30 m
Motor	2.2 hp



Improved lower pump: lowered pump for direct suction in the bucket – improved performance.



Easy to use filter system: it only takes a few seconds to take out the filter without any tools.



Airless Mastic Gun: optimized to spray plaster and paint without material clogs.



Digital Tracking System DTS: liter counter and maintenance indicator.

# HSS9000 & HSS11000

- Hydraulic SlowStroker™
- Very low pump cycles reduce pump wear and improves suction
- Ships with direct immersion paint pick-up tube. Includes a suction hose for use with latex paint.
- Easily removable “no tools” engine or motor cradle
- Pivoting belt cover



**TIP:**  
For very heavy coatings use the direct immersion suction tube.  
For materials requiring less suction, the included suction hose adds convenience.

## SPRAYS:

- Interior wall paints
- Anti-corrosive lacquers
- Acrylics
- Exterior paint
- Anti-corrosive paint
- Fire-retardant
- Light inside plaster
- Premixed plaster
- Protective coatings

## SPECIFICATIONS

	HSS9000	HSS11000
Part number	16M614	16M615
Maximum tip size - 1 gun	0.052"	0.057"
Maximum tip size - 2 guns	0.038"	0.041"
Maximum tip size - 3 guns	0.027"	0.031"
Flow per minute	9 l	11.3 l
Maximum pressure	227 bar	227 bar
Min. working pressure	50 bar	50 bar
Weight - without engine	64 kg	105 kg
Maximum hose	45 m	60 m
Motor options	Honda GX 200 - 866200 Electric - 866444	Honda GX 270 - 867195* Electric - 866444

\*803900 only motor



Pump assembly swivels up and locks for easy service access or storage.



Long pump is submerged in material allowing heavy materials to be sprayed.



Larger inlet seat results in higher flow.



Oversized hydraulic pump for long life.



High pressure filter threads on the inside prevent damage.

# ACCESSORIES

## PROLIGHT™ 009 & MASTIC AIRLESS SPRAY GUNS

*Light trigger pull - trigger lock - hand tighten "no tools required" - easy-clean one-way filter with nylon reinforced core - extra large carbide ball & seat for long wear - durable stainless steel threads for tip attachments - long life needle seal.*



**ProLight 009**

**Part number:**  
24H289 ProLight 009



**Filters 009 guns**

**Part number:**  
24E643 Filter 009 gun, 50 Mesh  
24E644 Filter 009 gun, 100 Mesh



**500 Series Mastic Gun**

**Part number:**  
24E382 Complete (531 tip)  
24E470 No tip & guard



**Filter 008 guns**

**Part number:**  
865628 Coarse 008 gun  
865629 Fine 008 gun  
867626 Filter spring 008 gun

## TIPS, GUARDS, SEALS & GUN-HOSE SPRAY PACKS

*Snap in center of tip, no leaks, splash back or mess – tip handle simplifies installing & aligning of the seal – takes only seconds to assemble – micro-ground finish for extra long life, consistent size & spray pattern – hang tip for easy cleaning & storage – metal seal, no leaks, sprays all coatings*



**Reversible tip:**

**Part number:**  
ARV-xxx for painting  
ARV-Wxx for wide pattern  
AFF-xxx for fine finish  
AST-xxx for striping



**Reversible guard & seals:**

**Part number:**  
855051 Guard 11/16-16  
855052 Guard 7/8-14  
858029 Metal seal with O-ring  
855026 Seal tip



**Strong, flexible whip hose, for sprayers up to 230 bar.**

**Part number:**  
867741 1/4", 1/4" f (1.2 m)  
867737 1/4", 1/4" f (0.9 m)  
867739 1/4" f, 3/8" m (1.5 m)  
867742 1/4" f, 3/8" f (1.8 m)



**Spray pack includes gun with 50' of 1/4" airless hose:**

**Part number:**  
24H307 ProLight convertible and flat handle, 009



**Strong, flexible hose, for sprayers up to 230 bar.**

**Part number:**  
 865674 1/4", 15 m  
 865675 3/8", 15 m  
 867272 1/2", 15 m (207 bar)



**Extensions**

**Part number:**  
 865609 6" tip extension (G)  
 865602 12" tip extension (G)  
 865603 18" tip extension (G)  
 865604 24" tip extension (G)  
 865606 36" swivel extension (G)



**Connectors & adapters**

**Part number:**  
 867280 1/4", hose connector  
 867278 3/8", hose connector  
 867309 3/8" x 1/4" adapter



**Swivel "G" thread**

**Part number:**  
 7506AG (7/8" x 1/2")



**Adapters**

**Part number:**  
 032010 Gun nut "F" thread 11/16-16  
 032011 Gun nut "G" thread 7/8-14  
 865610 "F to G" adapter (7/8" m - 11/16" f) to attach Graco tips



**Quick flush, the only clean water flushing system.**

**Part number:**  
 865681 Quick flush



**Paint strainers pre-filter your paint. One dozen per pack.**

**Part number:**  
 867338 To cover suction filter  
 865663 20l strainer



**Hose cover protects your hose from paint and abrasion damage.**

**Part number:**  
 865696 One roll  
 867610 Six rolls



**MagiCLEAN™ safely removes paint from sprayers, hose, tips & guns.**

**Part number:**  
 865657 Starter kit 10l  
 865656 Refill bottle  
 865655 Case of 0.35l – 0.25l jars



**Stay Clean™ spray that prevents paint from sticking to your machine.**

**Part number:**  
 865705 0.5l can (12)



**Used in the wet cup to prevent paint from drying in the piston.**

**Part number:**  
 867670 0.20l bottle  
 188392 1l bottle



**Pump conditioner prevents paint from drying on the piston and causing packing wear between uses.**

**Part number:**  
 865712 Display of 48 – 0.03l.  
 865714 1l bottle  
 865715 3l bottle

# AIRLESSCO SPRAYING SELECTION GUIDE

## SELECTION GUIDE - PAINT

The range	Paint Sprayers							
	LP				SL		GS	
	400	500	600	700	800	1100	800	6250
Frame styles								
Carry	★	★						
LoBoy								
HiBoy		★	★	★	★	★	★	★
Motor								
Electric	★	★	★	★	★	★		
Gas							★	★
Max. tip size								
1 gun	0.021"	0.023"	0.025"	0.027"	0.029"	0.031"	0.029"	0.041"
2 guns					0.019"	0.021"		0.029"
High pressure filter		✓ HiBoy	✓	✓	✓	✓	✓	✓
Recommended annual use (liter)	1500	3000	4500	7000	10000	12500	10000	12500
Recommended hose length (m)	15	15	15	15	30	30	30	30
Material applications								
Stains	x	x	x	x	x		x	
Varnish	x	x	x	x	x		x	
Primers	x	x	x	x	x	x	x	
Enamels	x	x	x	x	x	x	x	
Interior wall paints	x	x	x	x	x	x	x	x
Anti-corrosive lacquers		x	x	x	x	x	x	x
Acrylics			x	x	x	x	x	x
Exterior paint				x	x	x	x	x
Anti-corrosive paint					x	x	x	x
Fire-retardant								x
Light/inside plaster								
Premixed plaster								
Protective coatings								
Max. working pressure								
Bar	205	205	205	205	205	205	205	205
PSI	3000	3000	3000	3000	3000	3000	3000	3000
Output								
Liters	1.75	2	2.5	2.8	3	4	3	5
Gpm	0.47	0.54	0.85	0.95	1.02	1.1	0.88	1.7

## SELECTION GUIDE - PAINT AND PLASTER

Paint and Plaster Sprayers				The range
TS		HSS		
1500	6500	9000	11000	
				Frame styles
				Carry
		★	★	LoBoy
★	★			HiBoy
				Motor
★		★	★	Electric
	★	★	★	Gas
				Max. tip size
0.033"	0.041"	0.052"	0.057"	1 gun
0.021"	0.029"	0.038"	0.041"	2 guns
✓	✓	✓	✓	High pressure filter
10000	12500	15000	20000	Recommended annual use (liter)
30	45	45	60	Recommended hose length (m)
				Material applications
				Stains
				Varnish
				Primers
				Enamels
x	x	x	x	Interior wall paints
x	x	x	x	Anti-corrosive lacquers
x	x	x	x	Acrylics
x	x	x	x	Exterior paint
x	x	x	x	Anti-corrosive paint
x	x	x	x	Fire-retardant
x	x	x	x	Lightinside plaster
x	x	x	x	Premixed plaster
x	x	x	x	Protective coatings
				Max. working pressure
227	205	227	227	Bar
3300	3000	3300	3300	PSI
				Output
4.7	6	9	11.3	Liters
1.25	1.66	2.7	3	Gpm

**WWW.AIRLESSCO.EU.COM**

**PRODUCTS & ACCESSORIES**

an overview of the product range

**WHERE TO BUY**

an overview of the distributors worldwide

**LITERATURE**

an overview of the available literature  
in the language of your preference

**COMPANY**

the company profile

**CUSTOMER SERVICE**

You can leave your contact details here  
if you want to be contacted

Your authorized Airlessco distributor is:



**Airlessco - A Division of Graco**