

Noscrewz Flag Kit

Patent No. GB 2443417

Ideal for glass mounting



In stock



No tools assembly



Recyclable
PVC/ASA bracket, PVC pole, polypropylene collar and finial, and reinforced PVC flag



With printed Display Flag

How does Noscrewz work?

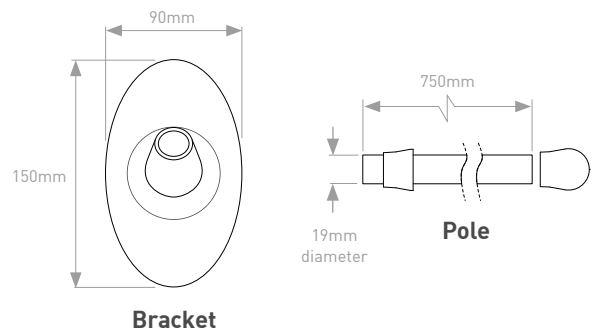


A simple twist creates a vacuum that locks the bracket in place

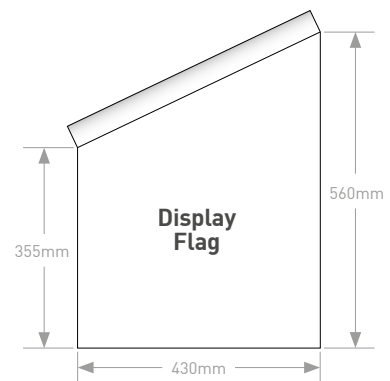
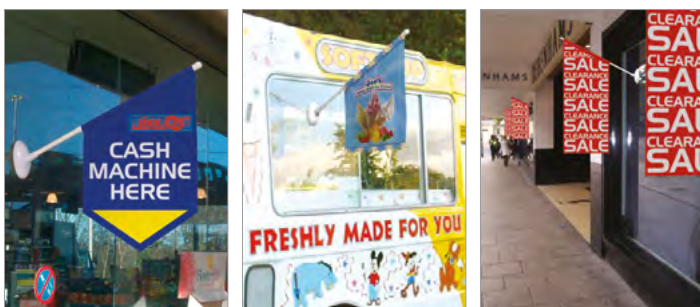


Simply twist back and pull upper or lower tab to release bracket

- Safe, tamper-proof and secure on any flat, smooth surface
- Incredibly quick and easy to use – simply push onto glass and twist, no tools required!
- Kits include **bracket**, sectional **pole**, **collar** and **finial**
- Suitable for internal and external use
- Plain 'Display Flags' held in stock (750gsm reinforced light block PVC) – ideal for vinyl application and available printed to order

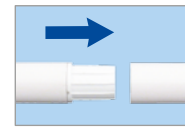


Noscrewz can be used in many different ways, with custom shaped flags available made to order

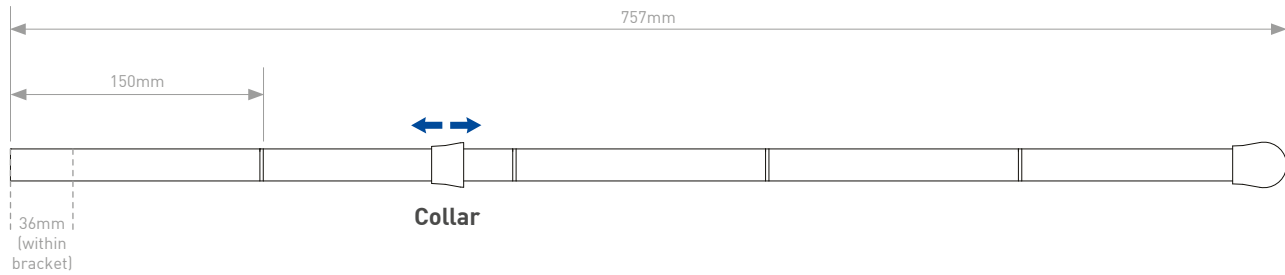


Sectional pole included with each Noscrewz Flag Kit

Consists of 5 × 150mm lengths and adjustable collar for flag widths up to 669mm*



Simply push in and pull out pole sections to change length



*Care is required if using Noscrewz for oversize (wider and/or taller) flags. Unless the pole is shortened (use of fewer pole sections during assembly) we would only recommend flags in our standard 750gsm reinforced light block PVC up to a maximum of 0.25m² (less than 200g in weight).

Item	Dimensions (mm)	Colour	Weight (kg)	Order Code
Noscrewz Flag Kit (bracket, pole, finial and collar)	Bracket: 90 (w) × 150 (h) Pole length: 150/300/450/600/750 Pole diameter: 19	White	0.4	NOSCREWZ2
Display Flag	430 × 355 × 560	White	0.2	FLAGTRADE

Sucker Flag



Visible and versatile – inside or out

- Ideal for chillers, product displays, static vehicles or windows
- Simply secures to smooth surfaces such as glass, plastic or metal
- Carbon fibre pole keeps flag tight and swivels in wind
- Adjustable angle and double-sided print for 360 degree effectiveness
- Quick and easy to change flags for new promotions



Made to order
Minimum order quantity: 100



No tools assembly



Perfect for chillers and display cases



Single lever secures flag and allows quick release

Easily adjustable angle for any situation

Item	Dimensions (mm)	Colour	Weight (kg)
Sucker flag complete unit (flag incl.)	290 × 720	Graphite Black	0.15
Display flag (printed to order)	290 × 610	White with print	0.028