

# Flying Banners

- High strength sectional carbon fibre poles
- 3 flag styles each in 3 sizes
- Market leading quality and performance
- Printed flags in 'standard' or 'air-mesh' polyester textile to order
- Choice of mounting accessories (see pages 90-91)



**In stock**  
Printed flags made to order



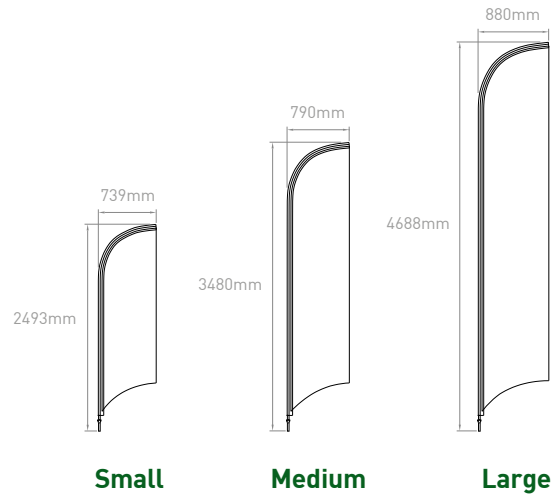
**No tools assembly**



Showing standard 'wrap-around' self-coloured pole sleeve and ground spike mounting

## Feather

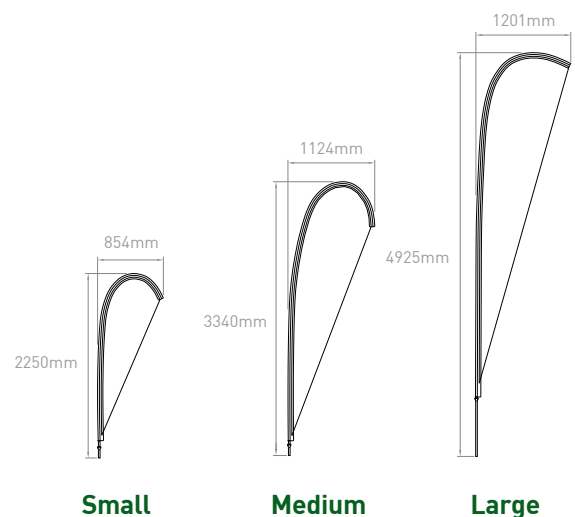
flutters and rotates in the wind



Showing optional black reinforced elasticated pole sleeve and cross-base with waterbag

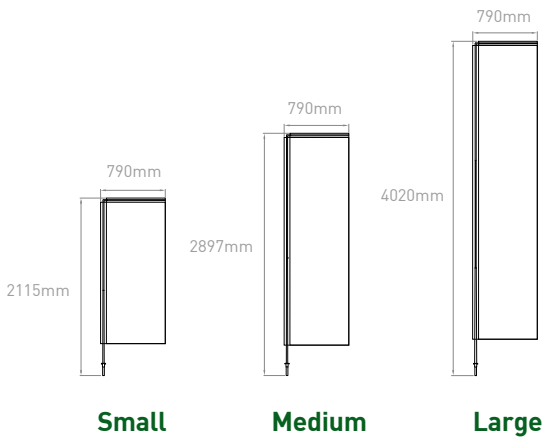
## Teardrop

rotates in the wind

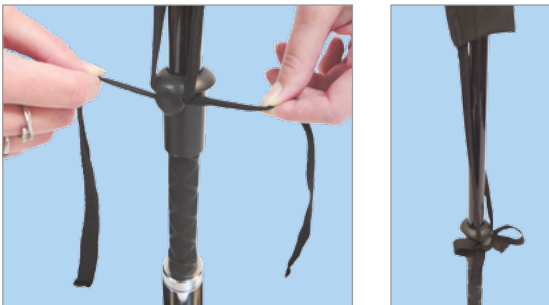


# Rectangular

flutters and rotates in the wind



Showing standard 'wrap-around' self-coloured pole sleeve and Tank Base (see page 91)



All flags feature adjustable draw string tethers for optimal tensioning



Black canvas bag supplied with each pole includes compartments to store flag, ground spike and water bag

Item	O/A Height (mm)	Flag size (mm)	Pole & Bag Weight (kg)	Order Code Pole & Bag	Order Code Printed flags with 'wrap-around' printed pole sleeve	Order Code Printed flags with reinforced elasticated black pole sleeve
Feather Small	2493	739 x 2244	1	FBFSM	FBFSMBANNER	FBFSMBANNERBEH
Feather Medium	3480	790 x 3182	1.5	FBFMD	FBFMDBANNER	FBFMDBANNERBEH
Feather Large	4688	880 x 4330	2	FBFLG	FBFLGBANNER	FBFLGBANNERBEH
Teardrop Small	2250	854 x 1979	1	FBTSM	FBTSMBANNER	FBTSMBANNERBEH
Teardrop Medium	3340	1124 x 3037	1.5	FBTMD	FBTMDBANNER	FBTMDBANNERBEH
Teardrop Large	4925	1201 x 3917	2	FBTLG	FBTLGBANNER	FBTLGBANNERBEH
Rectangular Small	2115	790 x 1810	1	FBRSM	FBR SMBANNER	FBR SMBANNERBEH
Rectangular Medium	2897	790 x 2610	1.5	FBRMD	FBR MDBANNER	FBR MDBANNERBEH
Rectangular Large	4020	790 x 3600	2	FBRLG	FBRLGBANNER	FBRLGBANNERBEH

# Flying Banner Flags



Standard 'close weave' polyester flag material (115gsm)



Optional 'airmesh' polyester flag material (135gsm)



Printed 'wrap-around sleeves fitted as standard on all Flying Banner flags



Optional black reinforced elasticated sleeve



Double-stitched hems and reinforced sleeve ends

## Flag Specifications

Our standard flag material is a 115gsm close weave knitted polyester textile, chosen for its durability and image vibrancy. For optimum performance, a 135gsm 'airmesh' material is also available which, thanks to small holes in the fabric, presents less resistance in the wind.

As standard, our flags are supplied with printed, non-elasticated 'wrap-around' pole sleeves, giving maximum possible printed display area. For extra durability, we also offer a reinforced elasticated black sleeve, which we recommend for flags in exposed and unattended locations, such as roadside and 24/7 retail sites, where the flag may not be taken in overnight.

All flags are printed by 'dye-sublimation' which uses special inks and undergoes a post-print heating process to 'fix' the ink into the fabric, making it scuff resistant and washable and maximising show-through on the reverse (the reverse being a mirror image of the design on the front).

## Outdoor Performance

Naturally, Flying Banner life span depends on how and where they are used.

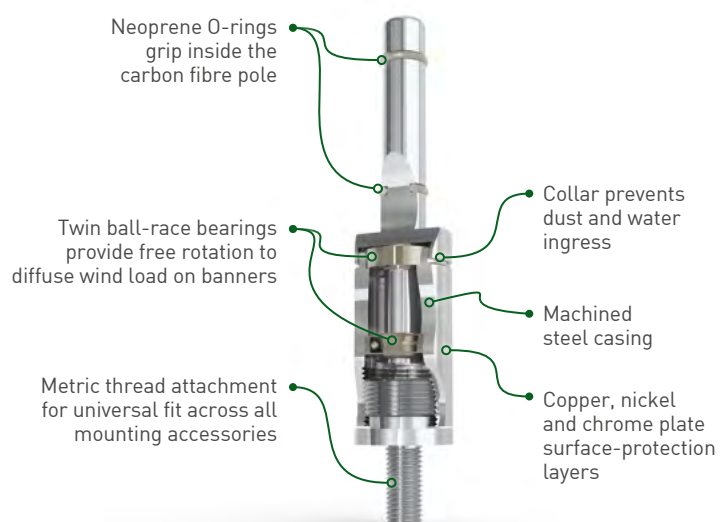
We recommend taking them in overnight and avoiding use in inclement weather (i.e. 24+ mph wind speeds/Beaufort scale 6). Teardrop flags can last longer than Feather flags as the banner fabric is held in tension and experiences less movement.

**Flag templates available on request, if own flag production preferred.**

## Anatomy of our Bearing Spindle

### Engineered for optimum flag life and performance

Our stylish and intelligently engineered steel bearing spindle features in all our Flying Banner mounting accessories (see pages 90 and 91). It allows friction-free flag rotation, so flags can easily align themselves in the wind, minimising banner turbulence for best visibility and reducing strain on the flag to maximise lifespan.





# Mounting Accessories for Flying Banners

## Cross Base & Water Bag

- Ideal for use on hard ground, indoors or out
- Powder coated grey **steel cross base**, with high quality low friction bearing spindle for smooth flag rotation
- Holes at end of feet for pegging to soft ground if required (pegs not supplied)
- Optional water bag for added stability, featuring improved screw cap

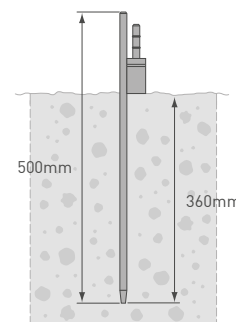


**Recyclable**  
Steel cross base and spindle

Item	Dimensions (mm)	Weight (kg)	Order Code
Cross Base	Length: 840 Width: 60	4	FBBASE(2)
Water Bag	540 diameter	Empty: 0.4 Full: 10.6	FBBAG(B)

## Ground Spike

- Chrome plated **steel spike** for soft ground, sand or snow
- Bearing spindle for smooth flag rotation
- Male pole connections with 'O' rings provide a perfect and secure fit as well as offering free rotation to deflect wind loading



**Recyclable**  
Steel ground spike

Weight (kg)	Order Code
1.2	FBSPIKE(2)

## Wheel Base

- Black powder coated **steel feet** with chrome plated **steel bearing spindle**. Folding design for ease of storage
- Quick and easy to assemble without tools
- 'V' shape allows base to be wedged under any parked wheel (or driven onto). Suitable for all tyre sizes.



**Recyclable**  
Steel feet and spindle

Item	Flag and Pole Compatibility	Typical Ground Clearance (m)	Weight (kg)	Order Code
Wheel Base	All sizes and styles of Flying Banners	–	4	FBWHEEL(2)
Conversion kit 1	Small feather flag + medium pole	1.3	–	FBCONKIT1
Conversion kit 2	Small teardrop flag + medium pole	1.6	–	FBCONKIT2
	Small rectangular flag + medium pole	1.3		
	Medium feather flag + large pole	1.6		
	Medium teardrop flag + large pole	1.8		
Conversion kit 3	Medium rectangular flag + large pole	1.6	–	FBCONKIT3

More mounting accessories on next page



**In stock**



**3 minutes to assemble**



**Recyclable**  
HDPE and steel spindle

Item	O/A Dimensions (w x h x d mm)	Weight (kg)			Order Code
		Empty	Water-filled	Sand-filled	
Tank base + spindle	455 x 110 x 445	2.3	15	20.8	FBSMTK+TKBRG
Tank base only		1.5	14.3	20	FBSMTK
Spindle only	100 x 132 x 100	0.8	-	-	TKBRG

## Tank Base

A purpose designed water or sand fillable base with our leading low friction bearing spindle for all flag sizes

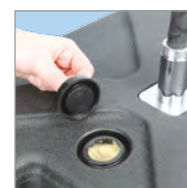
- Far superior to alternative 'parasol' base offerings
- 14 ltr capacity, for water or kiln-dried sand
- Made from **high density polyethylene (HDPE)**
- Designed for ease of handling even when full – satisfies manual handling guidelines
- Stackable design – second tank (part FBSMTK) recommended for large flags outdoors. Provides up to 40kgs of ballast but remains easy and safe to carry in 2 parts



Second tank (part FBSMTK) recommended for large flags outdoors



Built-in carry handle for ease of movement



Screw cap for ease of filling

Large (25 ltr) tank base available made to order (minimum quantity: 100, lead time: 10-12 weeks)



**Concrete base**  
**Made to order**  
Minimum order quantity: 5



**3 minutes to assemble**



**Bearing spindle**  
**In stock**

**Note** – due to weight of base, pallet delivery is necessary

Item	O/A Dimensions (w x h x d mm)	Weight (kg)	Order Code
Concrete base with bearing spindle	600 (dia.) x 100 (h)	67	FBCBRRG
Bearing spindle	100 x 132 x 100	0.7	FBCONCBRG

## Concrete Base

- Heavy duty 67kg base solution – ideal for semi-permanent siting e.g. petrol forecourts/verges
- High quality low friction bearing spindle for smooth flag rotation
- Spindle assembly c/w 4 bolts and spanner (concrete base pre-threaded)
- Bearing spindle can be purchased separately – for bolting to ground or horizontal hard surfaces



Lever points provided for ease of movement



Concrete base with small teardrop Flying Banner