



White



Chalkboard

Budget A-Board

- Double-sided display for self-adhesive vinyl graphics
- Suitable for sheltered locations only
- Chalkboard version suitable for liquid chalk pens (see page 67 for details)



In stock

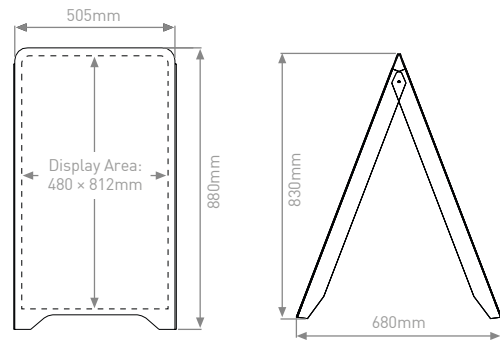


No assembly required



Recyclable

High impact polystyrene (HIPS) panels



Display Area (mm)	O/A Dimensions (w x h x d mm)	Weight (kg)	Option	Order Code
480 x 812*	505 x 830 x 680	4.3	White	ABPSP
			Chalkboard	ABPSCB

*Recommended to allow 10mm border all round



A-Board

- Fixing free aluminium panel surface suitable for vinyl application
- Double-sided 500 x 700mm display area
- Steel tube frame (32mm diameter), powder coated white. Also available in any RAL colour (minimum order quantity: 25)
- Supplied pre-assembled and ready for use



In stock



No assembly required



Recyclable
Steel frame and aluminium panels



Chrome oval chain maintains optimum leg angle

Display Area (mm)	O/A Dimensions (w x h x d mm)	Weight (kg)	Colour	Order Code
500 x 700	564 x 860 x 700	9	White	AB100W