

Portland Menustand

The clue is in the name... easy to convert between **portrait** and **landscape**, this highly versatile poster display is ideal for a huge range of applications

- Easily adjustable height – simple ‘clip and slide’ mechanism
- Quick and easy to change between portrait and landscape format
- Display angle easily adjustable between 0 and 90 degrees
- Front-opening **snapframes** for quick and easy poster change
- Soft round corners for safety
- All adjustments made by hand – no tools required
- Anti-glare **PET poster cover** ensures clarity of message
- Base features hidden **steel plate** for optimum stability
- Available in A4 and A3 stock sizes



In stock



3 minutes to assemble



Recyclable

Aluminium frame, PET poster cover, aluminium stand and steel base plate



In **portrait** mode



In **landscape** mode



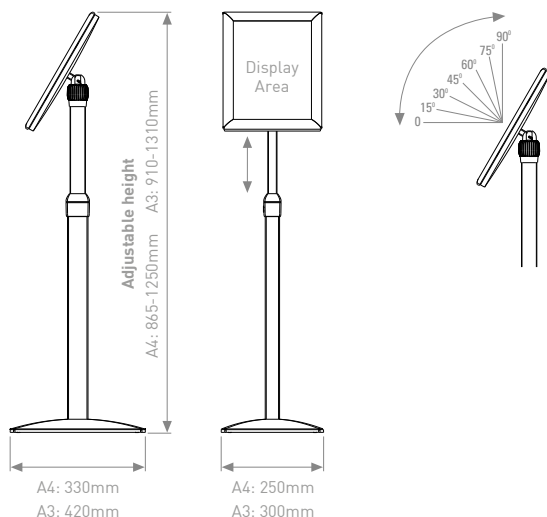
Quick and easy to change between portrait and landscape format



Easily adjustable height – simply unclip and slide pole up/down



Bases feature hidden steel plate for optimum stability



Size	Format	Dimensions (w × h mm)	Display Area (mm)	Weight (kg)	Order Code
A4	Landscape	330 × 865-1205	190 × 277	5.2	FLEXIMENUBOARDA4
	Portrait	250 × 910-1250			
A3	Landscape	420 × 910-1250	277 × 400	6.8	FLEXIMENUBOARDA3
	Portrait	300 × 970-1310			