

# iPad Lectern

Ideal for providing interactive content, online brochures and internet access in retail, showrooms, exhibitions and events

- Satin aluminium pole with steel base
- iPad holder rotates 360° - quick and easy to switch between landscape and portrait
- USB cable can be hidden inside the pole for clean, professional appearance
- Home button is covered to prevent unwanted interference
- iPad is locked in place with two security screws (access tool provided)
- White fascia surround as standard (black also available made to order)
- Suitable for 2nd, 3rd and 4th generation iPads (4th generation requires lightning to 30-pin adapter, available separately)



**In stock**



**12 minutes to assemble**

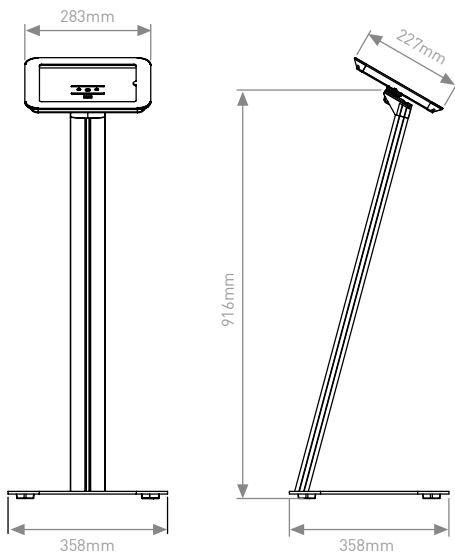


**Recyclable**

Aluminium cover, aluminium pole and steel base



Quick and easy to switch between landscape and portrait



Security fixings lock iPad in place



Home button covered to prevent tampering

The pole and base can be assembled in the opposite direction for placing under a car wheel



O/A Dimensions (w × h × d mm)	Box Dimensions (mm)	Weight (kg)	Order Code
358 × 989 × 358	300 × 500 × 110	4	IPDSTW