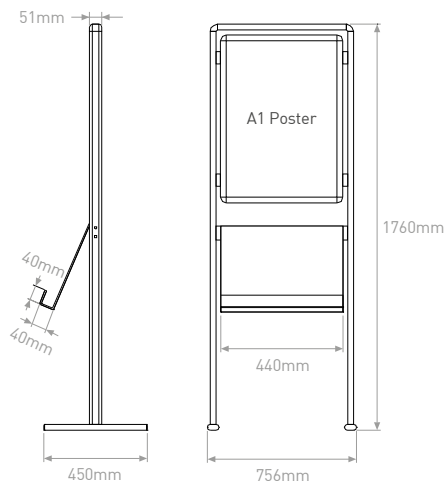




Double-sided Info Board with optional Acrylic Brochure Shelves



Info Board

- A1 poster display, single or double-sided
- Front-opening aluminium snapframes for quick and easy poster change (silver anodised finish)
- Anti-glare PET poster covers
- Optional acrylic brochure shelves, available separately (see below)



In stock



10 minutes to assemble



Recyclable
Aluminium snapframes, aluminium stand and PET poster covers



Optional wheels (made to order)



Anti-glare poster covers

Poster Size	O/A Dimensions (w x h x d mm)	Type	Pack Weight (kg)	Availability	Order Code
A1	756 x 1760 x 450	Single-sided	8.8	In stock	INF05GA1
		Double-sided	11.1		INF0DSA1
500 x 700mm	660 x 1760 x 450	Single-sided	8.0	Made to order	UIB200TNB2
		Double-sided	9.5		UIB200CNB2
700 x 1000mm	860 x 1760 x 450	Single-sided	11.0		UIB200TNB1
		Double-sided	13.75		UIB200CNB1



Acrylic Brochure Shelves for Info Board

- Made with crystal clear 4mm acrylic
- Single or double-sided, for 2 or 4 x A4 brochures respectively



In stock



Recyclable
Acrylic shelves

Shelf Type	Capacity	Dimensions (w x d mm)	Weight (kg)	Order Code
Single-sided	2 x A4	440 x 40	1	INFOSHLFSG
Double-sided	4 x A4	440 x 40	2	INFOSHLFDS