

Sightmaster Pro

Patent No. PCT/TR09/000148

Striking 'all black' snapframe poster sign

- Front-opening aluminium snapframes for quick and easy poster change
- Water-fillable LLDPE base for optimum stability
- Built-in wheels for ease of movement
- Heavy duty mounts ensure stability by allowing panel deflection in the wind
- Anti-glare PET poster covers ensure clarity of message
- Soft round corners for safety



In stock
A1



10 minutes to assemble and fill base



Recyclable

Aluminium frames, PET poster covers, LLDPE base and fluted polypropylene back panel



Bases available with printed logos

- Up to 5-colour designs possible (Pantone)
- Maximum print area: 150mm (w) x 45mm (h)
- Available made to order (4/5 week lead time)
- Minimum order quantities apply



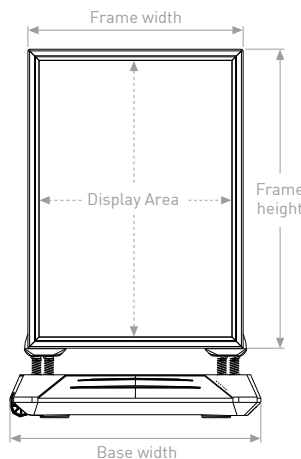
Front-opening snapframes for quick and easy poster change



Water-fillable base for optimum stability



Built-in wheels for ease of movement



Poster Size	Display Area (mm)	Dimensions (mm)			Weight (kg)		Availability	Order Code
		Base (w x d)	Frame (w x h)	O/A Height	Packaged	Assembled Empty/Full		
A1	586 x 833	720 x 580	666 x 913	1165	14.9	11.5/41.5	In stock	ECWWMA1MFB + ECWWMA1MBB
A0	833 x 1181	900 x 630	913 x 1261	1510	20	16.6/53.1	Made to order	UTWM/USWPA0
20" x 30"	500 x 754	720 x 580	580 x 834	1085	14.6	11.2/41.2		UTWM/USWP23
30" x 40"	754 x 1008	900 x 630	834 x 1088	1340	20	16.6/53.1		UTWM/USWP34
500 x 700mm	492 x 692	720 x 580	572 x 772	1020	14.3	10.9/40.9		UTWM/USWPB2
700 x 1000mm	692 x 992	900 x 630	772 x 1072	1320	19.1	15.7/52.5		UTWM/USWPB1