

Adfresco® Café Barrier



Patent No. GB 2472843

Stainless Steel

Stylish, strong and effective – create the perfect space for your customers and brand



Showing lower cross rail and sliding ring tether option



Café Barriers win space and visibility



In stock



Recyclable

Stainless steel poles and bases. Designed for easy 'end of life' recycling.

- Unique patented design with market leading features and benefits
- High quality **stainless steel** for optimum outdoor life and scratch resistance
- 13.5kg × 360mm diameter **base** provides excellent stability
- Lower **cross rail** for full Disability Discrimination Act (DDA) compliance or new lower cost bungee fixings
- Flat packed for easy storage and transport
- Easy to assemble. Spanner included with base/pole fixing set

Unique features of



Top/clip

Redesigned top features sleek new looks, greater comfort when lifting and improved quick-release cross rails



Bottom Cross Rail

Optional rigid lower cross rail provides audible 'tap' for visually impaired (DDA compliant)



Base

13.5kg rubber-edged base provides optimum stability, prevents damage to floors and gives option to roll rather than lift

Adfresco® Café Barrier



Patent No. GB 2472843

Black

New look, even greater value – introducing the stylish new Adfresco® Black



Showing bungee tether option in place of lower cross rail and sliding ring



In stock



Recyclable

Steel poles and bases. Designed for easy 'end of life' recycling.

- Same unique market leading design
- Tough satin black **pole** and **base** for an alternative look
- Stainless steel **cross rails**
- Black poles and bases with bungee tether option offers our lowest cost Adfresco® solution
- Choice of banner sizes and materials including a new 400gsm 'traditional' polyester canvas with full colour print at a market leading price
- **Further details over the page**

Adfresco® Café Barrier:



Sliding Ring

Unique patented 'smooth glide' ring allows banner to flex and eliminates wind damage associated with traditional designs



Bungee Connector

Optional new lower bungee connector holds banner taught – a cost effective alternative to a bottom cross rail



Canvas Banner

Perfect for a stylish traditional look, this close-weave PU coated synthetic canvas will not stain or decay like cotton fabric and prints beautifully

Adfresco® options

Stainless steel



1

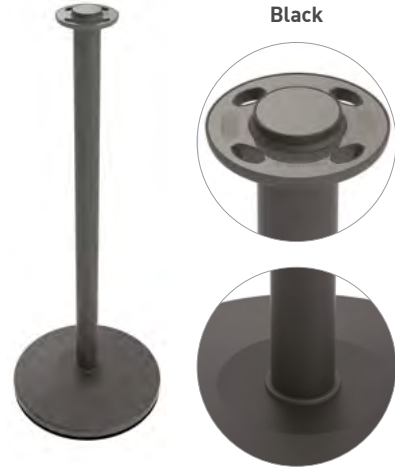
Finish

First, choose your poles and bases.

Stylish and strong stainless steel or classy and cost-effective satin black.

You can even mix and match black poles with silver bases and vice versa!

Black



Double cross-rail option



2

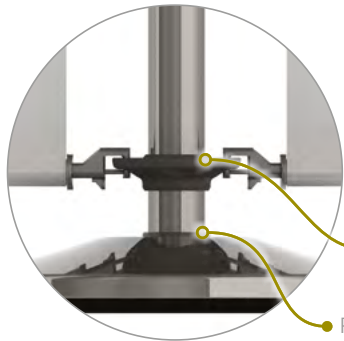
Tethering

Next, choose your lower tethering method.

For strength and tautness, and full DDA compliance, choose the solid lower rail and 'smooth glide' sliding ring.

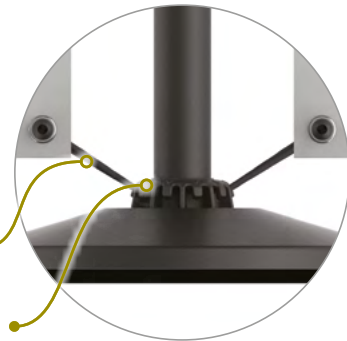
For a different look and lower cost, select the new bungee pole connector and bungees which hold the banner firmly without the need for a lower cross-rail.

Single cross-rail option



Sliding ring

Protective washer to be used with sliding ring



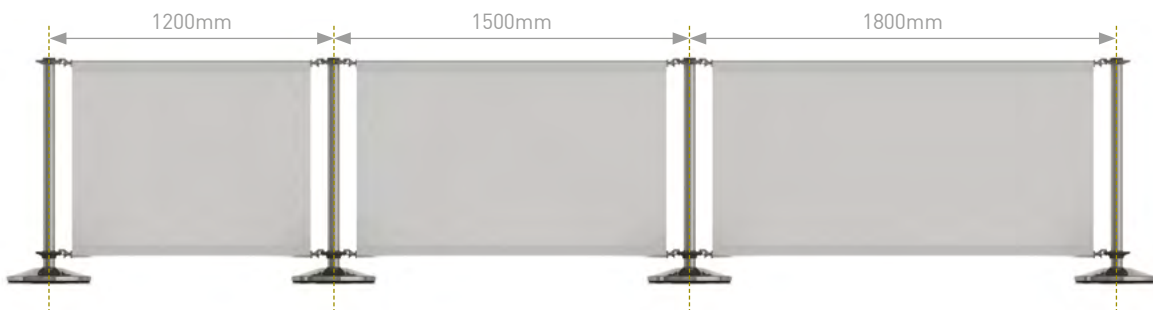
Bungee

Bungee connector

3

Banners

Finally, choose your banner's width to suit your intended use and design – **1200mm, 1500mm or 1800mm**



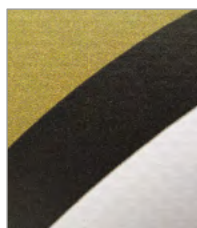


Use individually or link together

Printed banners available in a choice of materials:

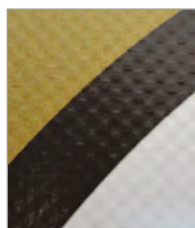
Light Block PVC 750gsm

Reinforced and totally opaque, this is perfect for double-sided print, long outdoor life and vibrant colour reproduction. The easy 'wipe clean' surface makes it ideal for front-of-house food and drink environments.



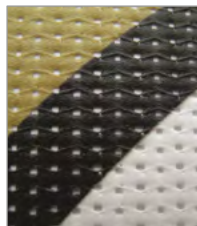
Front-Lit PVC 360gsm

This material has woven reinforcement, resulting in a slight surface texture. It provides a high quality print surface on one side with the option of white or single colour on the reverse, with vivid colour reproduction across the full spectrum.



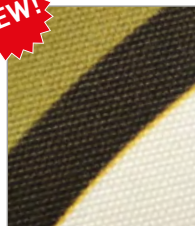
Mesh PVC 380gsm

Provides a semi-transparent finish and allows some air to pass through, making it ideal for windy locations, 'subtle branding' and creating a 'style-bar' look. Full colour print is available on one side (white on the reverse).



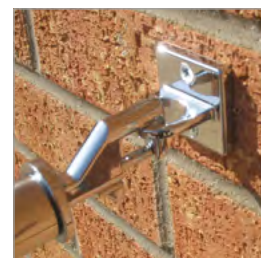
Polyester Canvas 400gsm

This close-weave 100% polyester fabric has all the appearance, weight and feel of a traditional canvas yet, unlike cotton-based canvases, it is cost effective and will not rot or stain. Available full colour printed to one side with the option of white or single colour on the reverse.



All our banners are suitable for outdoor use

Item	Dimensions (mm)	Weight (kg)	Order Code
Stainless Steel Pole and Top Ring	Diameter: 113 (Pole Dia. 51mm) Height: 881	1.0	CBBPOLE-SS
Black Mild Steel Pole and Top Ring	Diameter: 113 (Pole Dia. 51mm) Height: 881	1.5	CBBPOLE-BLK
Stainless Steel Base	Diameter: 360 Height: 66	13.5	CBBBASE-SS
Black Base	Diameter: 360 Height: 66	13.5	CBBBASE-BLK
Cross Rail (with new clip)	Width: 1200*	0.8	CBBCROSSBAR-2 + CBBCLIP-2
	Width: 1500*	1.1	CBBCROSSBAR-2 + CBBBAR1500-2
	Width: 1800*	1.2	CBBCROSSBAR-2 + CBBBAR1800-2
Banner	1005 x 838	-	Please call for details
	1305 x 838	-	
	1605 x 838	-	
Sliding Ring	Diameter: 110 Height: 30	0.3	CBBRING
Bungee Pole Connector	Diameter: 94 Height: 26	0.1	CBBBUNGCON
Bungee	Overall length: 100	0.01	CBBBUNGEE
Eye Plate (for wall mounting)	40 x 40 x 35 (w x h x d)	0.06	CBBEYERING



Chrome plated 'Eye Plate' available for wall mounting (for cross rails only)