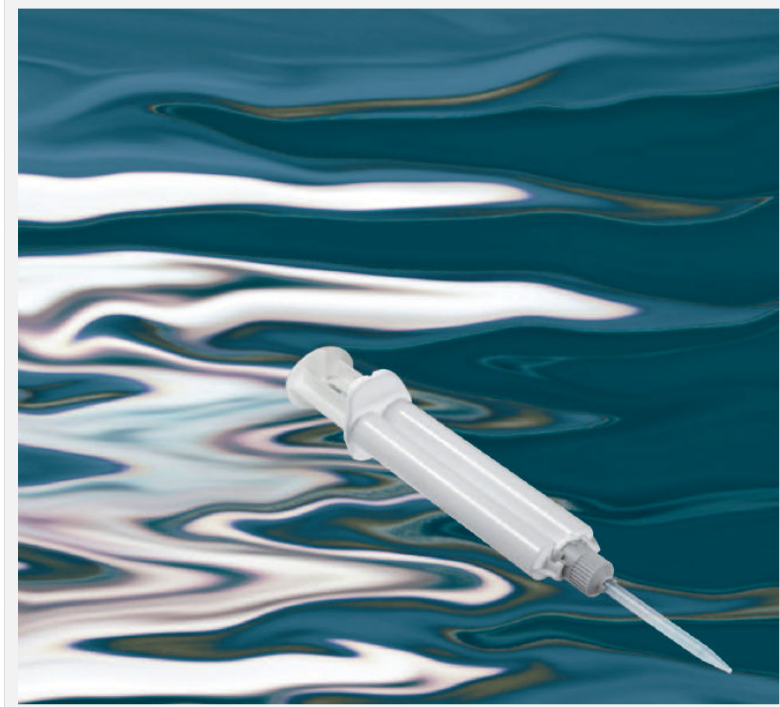


K System Dual Syringe System

2.5ml, 5ml and 10ml. For epoxies, silicones, polyurethanes, resins and other adhesives.

The K-System meets the growing demand for reliable, safe, easy to use selection of dual dispensers for 2-K adhesives. Thanks to a range of mixing ratios, materials and colours, the K-System is suitable both for industry as well as DIY users. Its modular concept offers a broad choice of mixers and attachable accessories.

The ergonomically designed dispensing plunger enables even highly viscous adhesives to be applied. The plunger of the K-System may be used over and over again. The K-System offers multifunctionality and user friendliness. The range of applications is very wide and 2-K adhesives can be metered extremely accurately.



Mixer
(Helix)

Side by Side
cartridge

Plunger



Industrial Grade Safe Silicone Free Components



Adhesive Dispensing Ltd
Solutions customers stick with...

K-System: System components with a modular concept

Cartridge

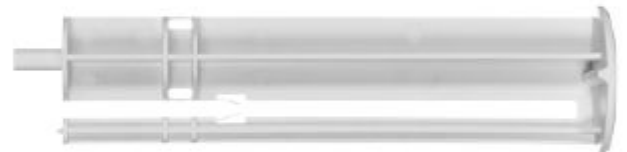
- Side by Side cartridges
- 2.5ml, 5ml and 10ml volumes
- Complete separation of components
- Available in various materials and colors
- Can be nose or back filled
- Resealable, no cross-contamination



0610441401

Plunger

- Ergonomic design
- Infinitely reusable
- Robust



0610441431

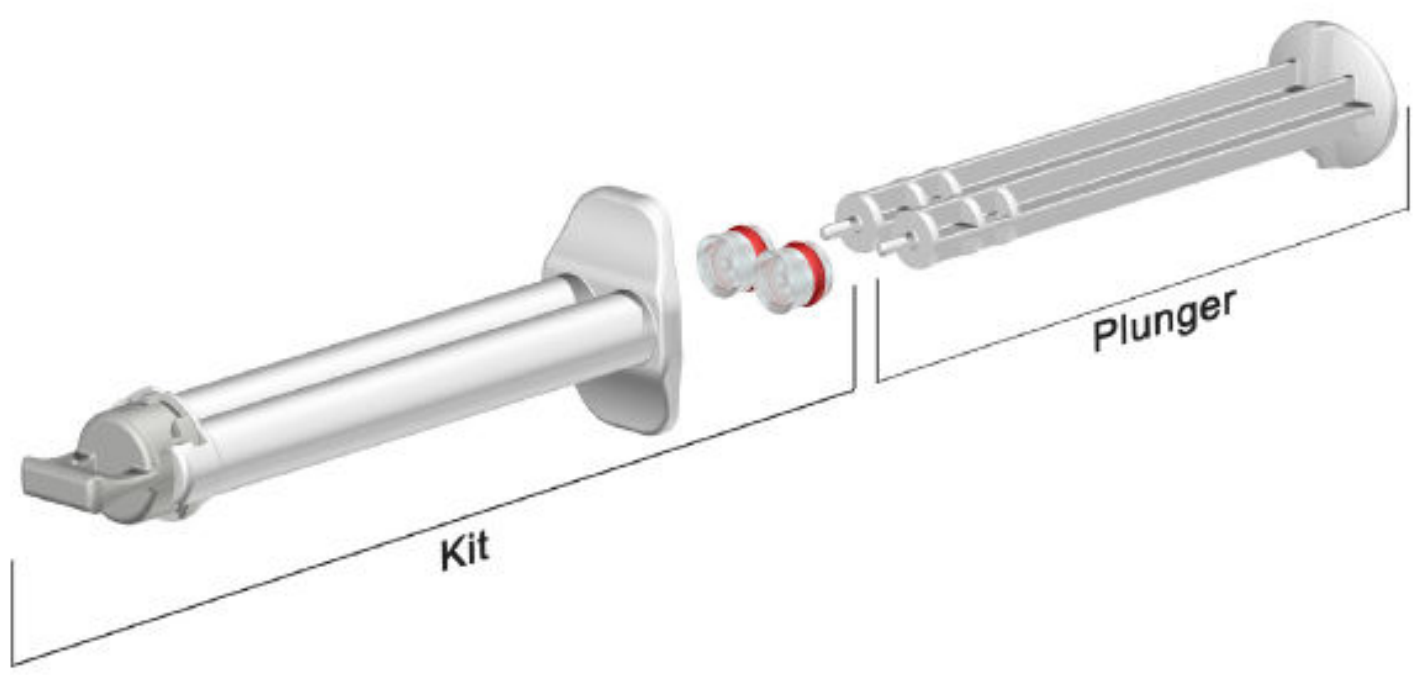
Static mixers

- Various diameters and lengths
- Coded interface
- Simplest attachment
- Absolutely leak-proof connection
- Accessories



0610441404

Size	Mixing ratios	Materials	Color
2.5ml	1:1	PP	White, standard, transparent, black. Other colors on request.
5ml	1:1	PP	
10ml	1:1, 10:1	PP	
	10:1	PBT	



Part number	Article	Description
116436	KK 002-01-10-01	Kit 2.5, 1:1, PP white, double syringe, with lip seal pistons, cap dust grey, without plunger
116437	KK 002-01-10-04	Kit 2.5, 1:1, PP white, double syringe, with pistons with silicon O-ring, cap dust grey, without plunger
103128	PLH 002-01-45	Plunger, 2.5 ml, 1:1, white



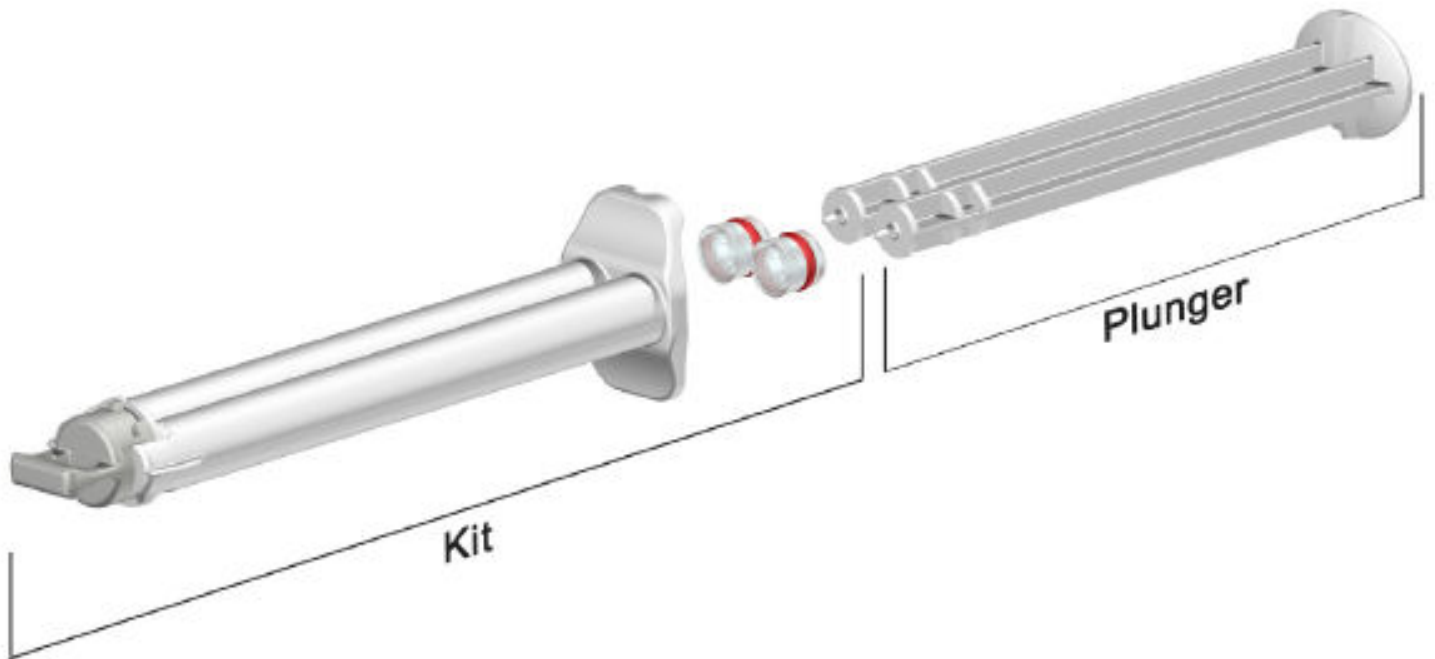
K System Syringes Industrial, Kit

Double Syringe 3ml/ 1:1



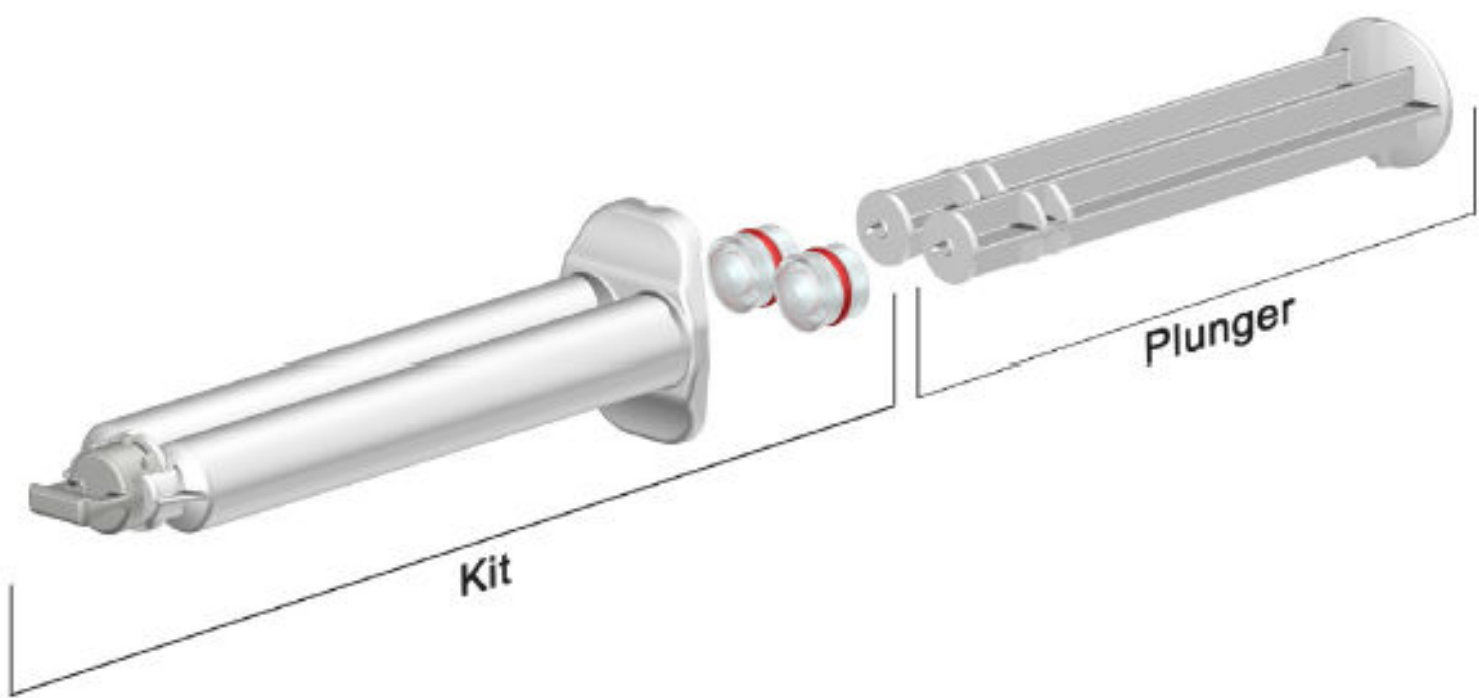
Part number	Article	Description
301634	KK 003-01-10-01	Kit 3, 1:1, PP translucide/translucide double syringe, with plunger and mixer



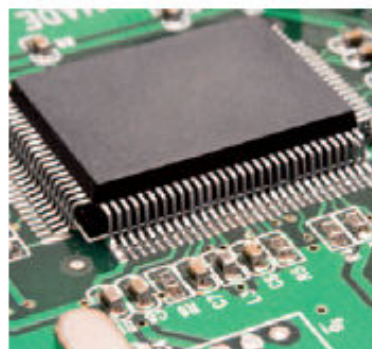


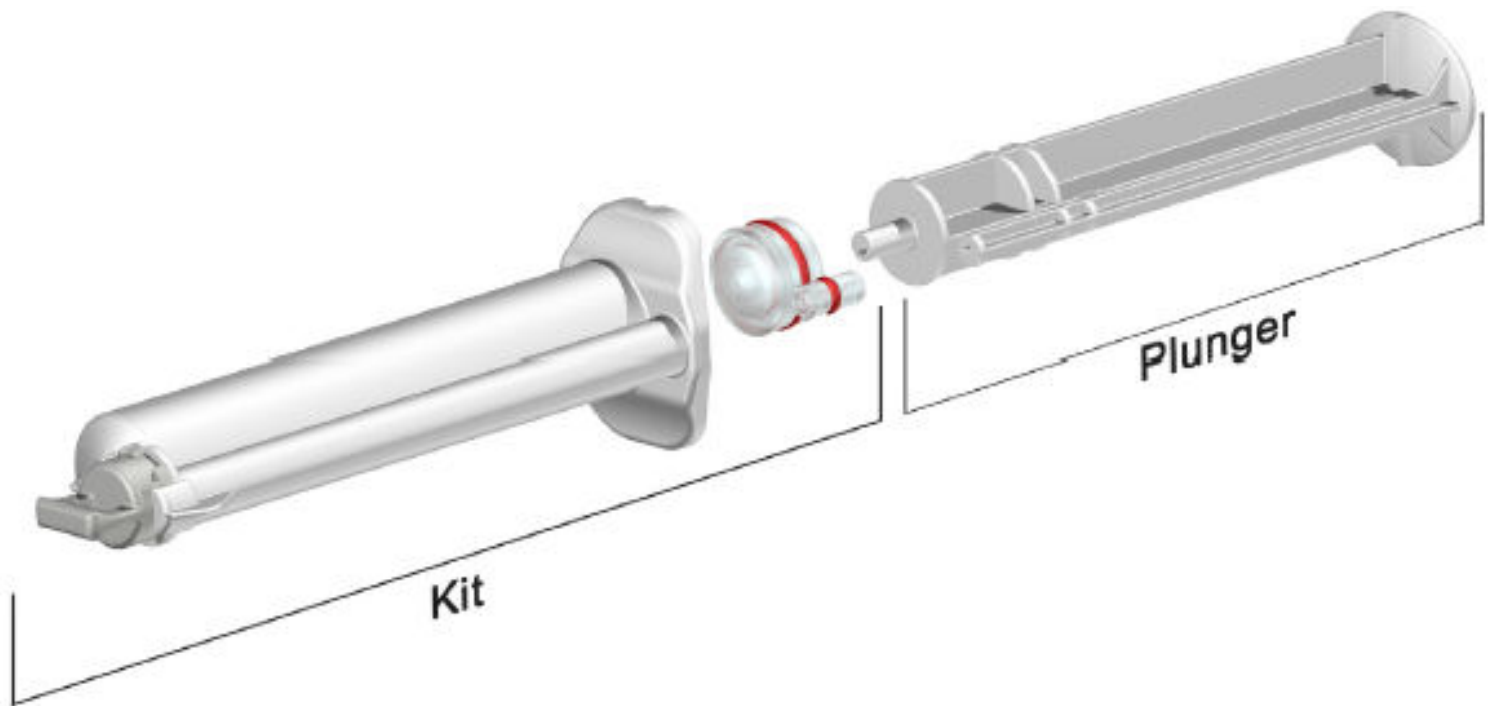
Part number	Article	Description
116438	KK 005-01-10-01	Kit 5, 1:1, PP white, double syringe, with lip seal pistons, cap dust grey, without plunger
116439	KK 005-01-10-04	Kit 5, 1:1, PP white, double syringe, with pistons with silicon O-ring, cap dust grey, without plunger
113403	PLH X05-01-45	Plunger, 5 ml, 1:1, white





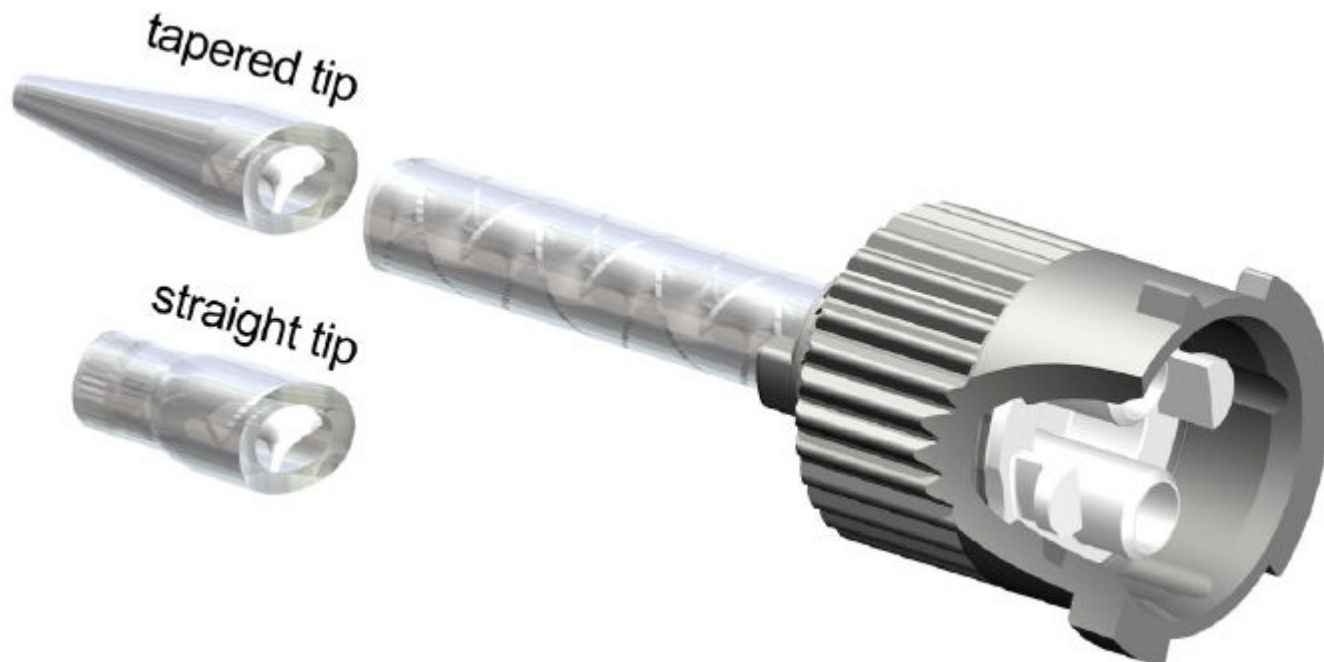
Part number	Article	Description
116440	KK 010-01-10-01	Kit 10, 1:1, PP white, double syringe, with lip seal pistons, cap dust grey, without plunger
116441	KK 010-01-10-04	Kit 10, 1:1, PP white, double syringe, with pistons with silicon O-ring, cap dust grey, without plunger
113401	PLH X10-01-45	Plunger, 10 ml, 1:1, white



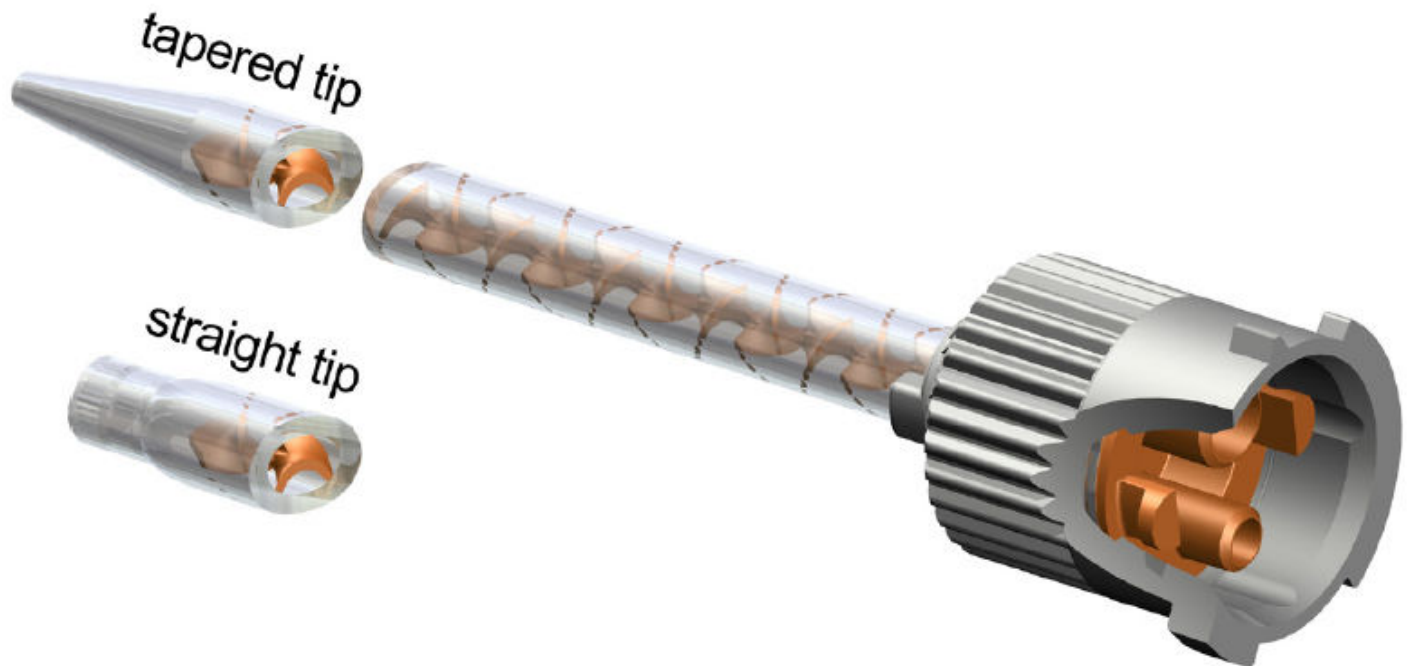


Part number	Article	Description
116442	KK 010-10-10-01	Kit 10, 10:1, PP white, double syringe, with lip seal pistons, cap dust grey, without plunger
116435	KK 010-10-10-04	Kit 10, 10:1, PP white, double syringe, with pistons with silicon O-ring, cap dust grey, without plunger
116571	KK 010-10-20-01	Kit 10, 10:1, PBT white, double syringe, with lip seal pistons, cap dust grey, without plunger
113371	PLH X10-10-45	Plunger, 10 ml, 10:1, white





Part number	Article	Description	Elements	Ø (mm)	L (mm)	Vol. (ml)
114252	MKH 02-08D	Mixer helix, 1:1/2:1 light grey, white elements, straight tip	8	2.5	33.4	0.14
114246	MKH 02-08S	Mixer helix, 1:1/2:1 light grey, white elements, tapered tip	8	2.5	39.7	0.19
114253	MKH 02-12D	Mixer helix, 1:1/2:1 light grey, white elements, straight tip	12	2.5	46.2	0.23
114249	MKH 02-12S	Mixer helix, 1:1/2:1 light grey, white elements, tapered tip	12	2.5	49.7	0.23
115686	MKH 02-16S	Mixer helix, 1:1/2:1, light grey, white elements, tapered tip	16	2.5	59.7	0.27
114254	MKH 03-12D	Mixer helix, 1:1/2:1 dust grey, white elements, straight tip	12	3.2	56.0	0.39
114250	MKH 03-12S	Mixer helix, 1:1/2:1 dust grey, white elements, tapered tip	12	3.2	61.0	0.39
114251	MKH 03-16S	Mixer helix, 1:1/2:1 dust grey, white elements, tapered tip	16	3.2	74.0	0.49



Part number	Article	Description	Elements	Ø (mm)	L (mm)	Vol. (ml)
114260	MKHX 02-08D	Mixer helix, 4:1/10:1 dust grey, orange elements, straight tip	8	2.5	36.2	0.19
114255	MKHX 02-08S	Mixer helix, 4:1/10:1 light grey, orange elements, tapered tip	8	2.5	39.7	0.19
114261	MKHX 02-12D	Mixer helix, 4:1/10:1 dust grey, orange elements, straight tip	12	2.5	46.2	0.23
114256	MKHX 02-12S	Mixer helix, 4:1/10:1 light grey, orange elements, tapered tip	12	2.5	49.7	0.23
114257	MKHX 02-16S	Mixer helix, 4:1/10:1 light grey, orange elements, tapered tip	16	2.5	59.7	0.27
114262	MKHX 03-12D	Mixer helix, 4:1/10:1 dust grey, orange elements, straight tip	12	3.2	56.0	0.39
114258	MKHX 03-12S	Mixer helix, 4:1/10:1 light grey, orange elements, tapered tip	12	3.2	61.0	0.39
114259	MKHX 03-16S	Mixer helix, 4:1/10:1 light grey, orange elements, tapered tip	16	3.2	74.0	0.49

Adhesive Dispensing Ltd
Sales & Service
Freephone 0800 094 9058

Unit 501, MK Business Centre
Foxhunter Dr, Linford Wood
Milton Keynes, MK14 6GD
United Kingdom

Tel +44 (0) 1908 686660
Fax +44 (0) 1908 686836
info@adhesivedispensing.co.uk
www.adhesivedispensing.co.uk

Registered in England & Wales
Reg. No 6048283
VAT No. 901 8594 21