

everel

THE WORLD IN A CLICK



C A T A L O G U E



Dreefs

 **SIGNAL LUX**

givem

MOLVENO

 **KAUTT & BUX**

Everel Group S.p.A.

[Headquarters]

Via Cavour, 9

37067 Valeggio sul Mincio (VR) - Italia

tel. +39 045 6313711

fax +39 045 6313730

Dreefs GmbH

Ernst-Dreefs-Straße 7

96364 Marktrodach - Germania

tel. +49 9261 9610

fax +49 9261 961248

Everel Romania Srl

Calea Timisorii 109

Lipova - Arad - Romania

tel. +40 257 563087

fax +40 257 563086

Everel Asia Pacific Co., Ltd

Room 1005, 10th Floor,

Far East Finance Centre,

16 Harcourt Road, Hong Kong



Everel
THE WORLD IN A CLICK

C A T A L O G U E

Dreefs

 **SIGNAL LUX**

giram

M MOLVENO

 **KAUTT & BUX**





Who is Everel

Everel is a leading manufacturer and supplier of electromechanical components for household appliances and automotive industry.

Through its own brands (Molveno, Dreefs, Giem Kautt&Bux and Signal Lux), Everel offers a wide range of products: switches, indicator lights, selectors, motors and heating elements, ventilation units, encoders, PCB, induction coils.

Innovation, quality and customization are the values Everel relies on to satisfy customers and win the competition on the global market. Everel is recognised for its consolidated experience in production, its daily commitment to customer needs and its sound innovation capability. These are the milestones that make Everel a market leader, capable of satisfying the most challenging market requirements.

Everel: a customer driven company.



Everel's History

Everel represents over 100 years of excellence in the field of electromechanical components for the appliance industry.

Born with the name Cometti, during this long journey it changed name several times (Vemer, Siber, ...) as a result of mergers and acquisitions, and in 2007 it came to the new brand Everel, which includes all formers.

The high know-how and experience gained by the Company have always been placed at the service of customers to develop new solutions and new technologies.

1909

Foundation of
A.Cometti Company,
an electromechanical
industry in Caprino
Veronese (near Verona)

1978

Foundation of
Molveno Cometti S.p.A.

1986

Construction of new
production plant
in Lipova (Romania)

1994

Acquisition of german
company **Kautt&Bux**

1998

Acquisition of german
company **Dreefs**

1999

Transfer of Headquarters
to Valeggio sul Mincio
(Verona)

2006

Acquisition of Italian
company **Signal Lux**

2007

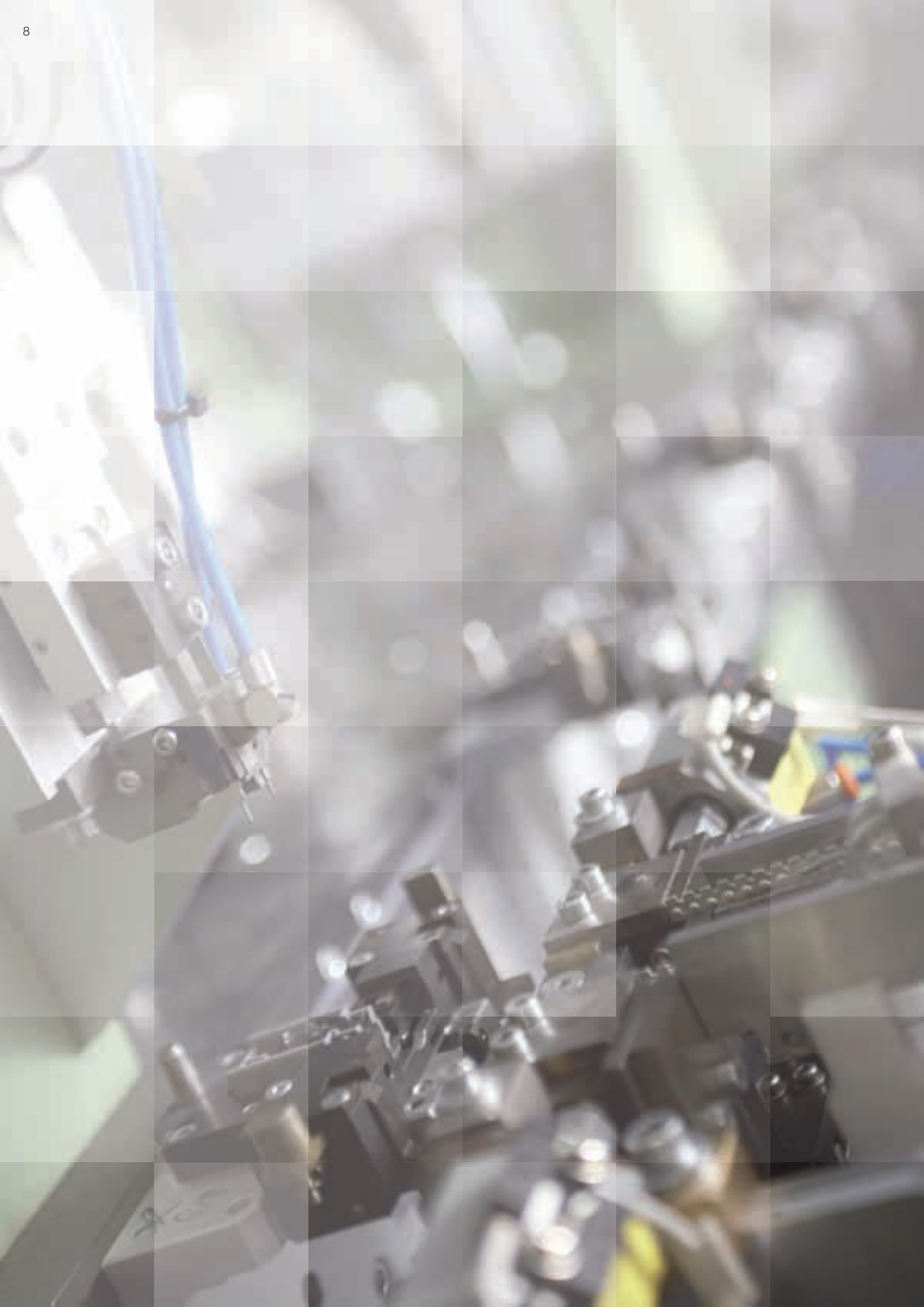
Introduction
of **Everel** brand

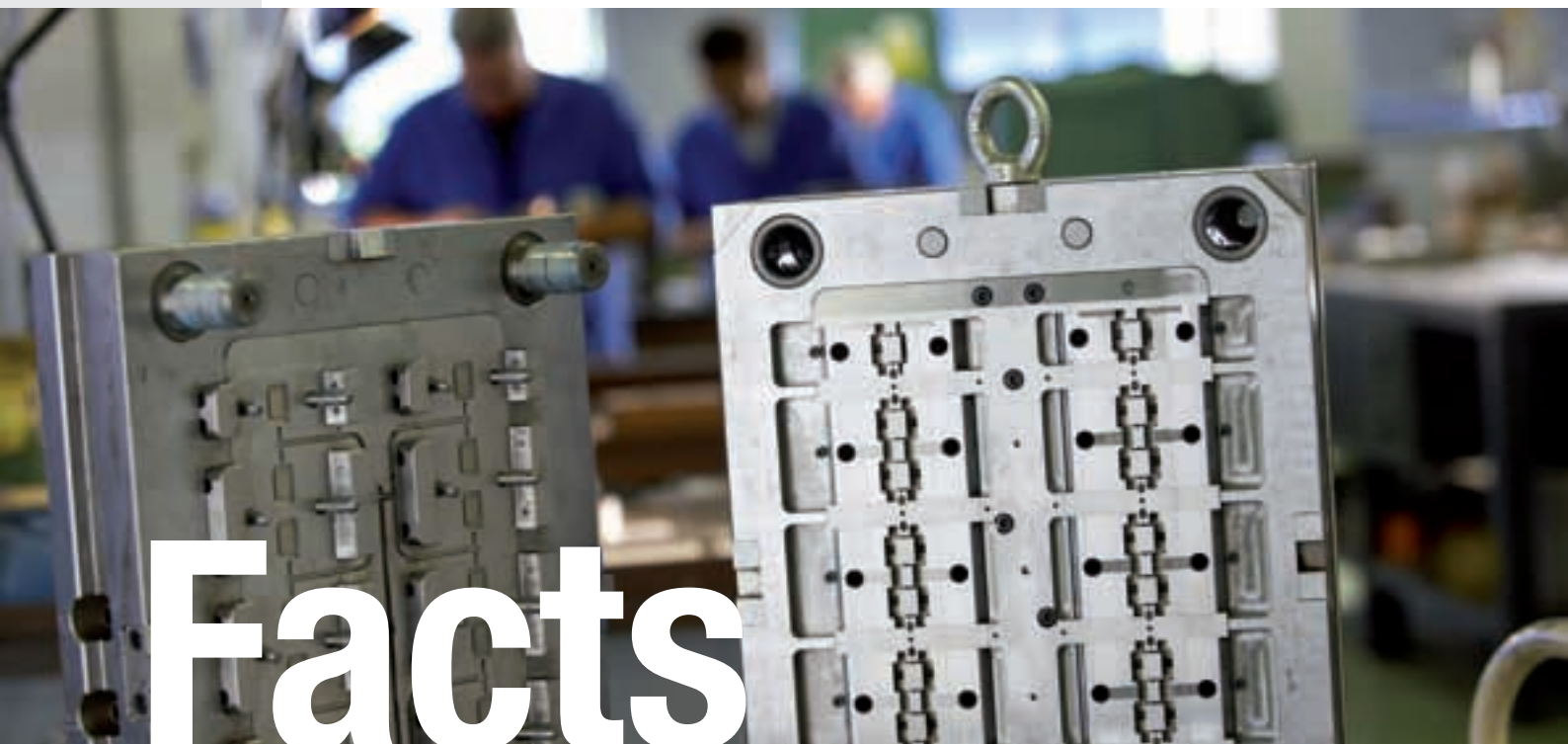
2010

Transfer of majority
to Second Life

2011

Set up of Everel Asia
Pacific Company





Key Competences and high level Capabilities

R&D

Qualified senior and junior technicians are dedicated to the development of technological innovations to improve products and processes.

Testing / Quality

Thousands of daily checks to ensure product reliability; during the years 89 international patents and 36 trademarks have been registered, they are the tangible measure of their commitment to this industry.

Sales, Marketing and Administration

Quality and efficiency are the values Everel relies on to satisfy tomorrow's customers in the international market, approached with the philosophy "Think global, Play local".

Production

From push-button switches to signal lights, from encoders to power rotary switches and cooling fans of any shape (centrifugal axial to axial/tangential) rocker switches, plug-in connectors, and keyboards, circuit boards and water resistant rocker switches, ventilation units and EC brushless motors.

Every year Everel production exceeds **120 million** items.

Everel portfolio includes fully automated production lines and moulding/punching core competences.



Customer Value Proposal First

Wide Product Portfolio

Everel portfolio, with its brands Molveno, Giem, Dreefs, Kautt&Bux and Signal Lux, includes more than 7000 products. The home appliance market is the main area which Everel is focused on, designing and manufacturing electromechanical components and solutions for appliances. Everel is partner of the major worldwide appliance manufacturers.

Reliability

Our quality department makes strict controls on the production processes and on the end products in order to guarantee the absolute reliability of every single article.

All Everel items are covered by international approvals, which validate the quality and the compliance to the most important regulations.

Our products are made using materials and procedures according to RoHS 2011/65/EU directive, concerning restrictions on the use of hazardous substances and on the waste handling of electric and electronic devices.

Everel Group's quality management system is certified with ISO9001:2000.

100+ Years of Experience

The unique experience in the electromechanical industry makes Everel a leader supplier for household appliance and industrial equipment manufacturers.

Over the years our company expanded its product portfolio to meet the needs of different markets, increasing its business as well as its own experience.

Driven by Passion and Values

Everel looks at the future as an opportunity, offering highly pioneering and customized solutions. Customer satisfaction is the most important achievement and it is the reason why the company is fully committed to meet the client needs.

Innovation & Co-development

Every single product is featured by a never ending innovation process. Our R&D team works directly with customers which are completely involved in the product engineering.

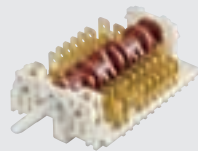
The synergy created between the parts allows the development of a system to successfully manage projects and issues step by step. Over the years Everel has been building a strong corporate philosophy where the attention and the customer value are the main assets. For this reason all customer targets become Everel targets.

Global presence

Everel Group has its headquarters in Italy, with production plants and offices in Germany, Romania, China and Hong Kong. Five hundred employees contribute to Everel's worldwide success every day.



Products & Applications: Oven



Selectors



Indicator lights



Encoders



Push-button switches



Ventilation units



Washing machine



Push-button switches



Indicator lights



Encoders



Push-button switches



Coffee machine



Rocker switches



Indicator lights



Encoders



Power connectors



Push-button switches



Hairdryer



Slide switches



Rocker switches



Printed Circuit boards



Micro switches



Hairdryer switches



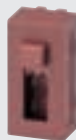
Cooker hood



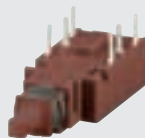
Control boards



Indicator lights



Slide switches



Push-button switches



Power connectors



Dishwasher



Ventilation unit



Encoders



Indicator lights



Push-button switches



Vacuum cleaner



Rocker switches



Push-button switches



Indicator lights



Waterproof switches



Rotary switches



Cleaning equipment



Push-button switches



Rotary switches



Indicator lights



Waterproof switches



Rocker switches



Refrigeration



Rocker switches



Indicator lights



Push-button switches



Push-button switches



Small appliances



Micro Switches



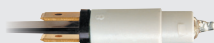
Rotary switches



Printed Circuit boards



Power connectors



Indicator lights



Gardening



Rocker switches



Slide switches



Waterproof switches



Push-button switches



Heating and Ventilation



Motors



Ventilation Units



Brushless motors

Everel's Web Tools

Web site: www.everel.eu

Visit our Web site: you will find all news and details you may need about the Company, its products, certifications and international sales network. Moreover, looking into the catalogue section, you can find every Everel products' data sheet.

You can also get in touch with us directly through the contact section.



Social Network and Applications



Facebook

Pictures, news and much more.

<http://www.facebook.com/everel.groupspa>



Twitter

Follow the tweets, become a Follower!

<https://twitter.com/EverelGroup>



App for iPad / iPhone

Download the Everel App directly from the App Store on your iPad: you can flick through our catalogues and much more...



QR code

Use your Smartphone to surf the mobile version of Everel Web site.



Index



01

ROCKER SWITCHES

A1	32
TECNO	36
A8	38
GP	40
A2	42
A4	44
B10	48
SX81	50
SX8A	52
SX82	54
SX83	56
SXD1	58
RS	60

PUSH-BUTTON SWITCHES

SXL4	64
SCA	66
P1	68
SP60	70
SP63	72
SXL5	74
LITE	76
DY1	78
DY2	80
DY Accessories	82
SPM	84
TOUCH	86

WATERPROOF SWITCHES

SXL44	90
B4MASK	92
SXA4	94
RMASK	96
SXLR	98

HAIRDRYER SWITCHES

CO	102
CN	106
CP	110
CB	112
CS	114
DC	116
PCB	118

SLIDE AND ROTARY SWITCHES

LF	122
R1	124
DS	126
DH	127

MICRO SWITCHES

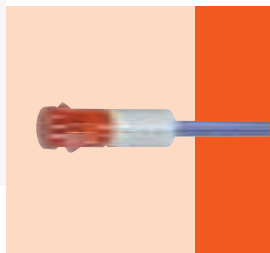
MSA	130
MSS	132



02

CONTROL BOARDS

T5	136
MP4	138
TM4	140
TM5	141



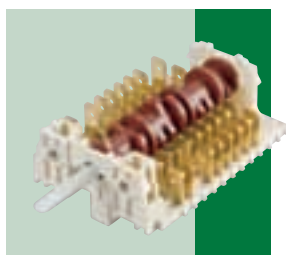
03

INDICATOR LIGHTS SWITCHES SIZE

A5	144
A7	144
B5	146
B6	146
B7	148
SP60 indicator light	148

INDICATOR LIGHTS

SX17	152
SX21	152
SX24	154
SX27	154
SX28	156
SX31	158
SX33	158
SX41	160
SX43	160
Accessories	160



04

SELECTORS

HE	164
5HE 7TAKT	168
5HE 7TAKT DUO	170
HT	172
HT 4 BLOCK	174
CH	175
2CH WITH ENCODER	176

CODI

CS	181
CV	182

MINICODI

MS	187
MF	188
MB	188
MV	189
MK	190



05

MOTORS

Shaded Pole Motor Ø 52	194
Shaded Pole Motor Ø 58	196
Fans and Accessories	198
EC Brushless Motor	200

VENTILATION UNITS

Ventilation Blower	204
Axial Blower	205
Centrifugal Blowers	206
Axial/Tangential Blower	208
Fan Blower 50 mm deep	209
Centrifugal Blower to exhaust cooking vapours	210
Ventilation Unit for Oven	211
Dishwasher Cooling Ventilation Unit	212



06

POWER CONNECTORS

STS	216
SFS	216
SST	217
SW	218
STF	220
SFO	221
SCM81	221



07

INDUCTORS

Cooking Inductors	224
-------------------	-----

Rocker Switches

01



A1

32



SX81

50



TECNO

36



SX8A

52



A8

38



SX82

54



GP

40



SX83

56



A2

42



SXD1

58



A4

44



RS

60



B10

48



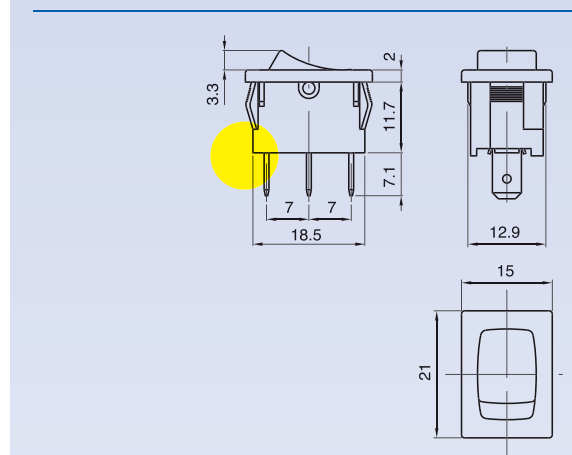
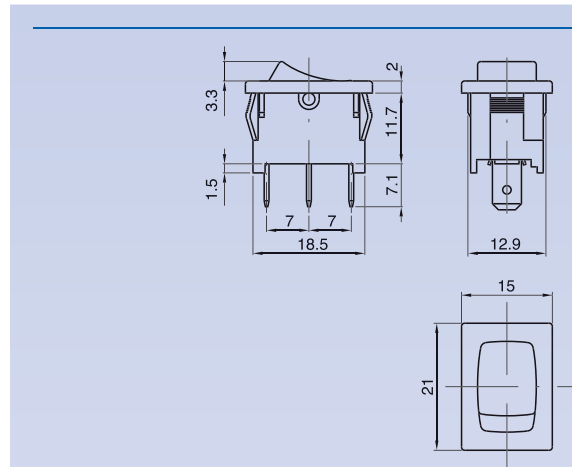
A1

TYPICAL APPLICATIONS	Small appliances
FUNCTIONS	<ul style="list-style-type: none"> ■ SPST, momentary or not ■ SPDT, momentary or not
CYCLE No.	50.000
CUT OUT	19x13 mm
AMBIENT TEMPERATURE	125 °C
GWT	850 °C
GWT NO FLAME (<2sec)	750 °C on demand

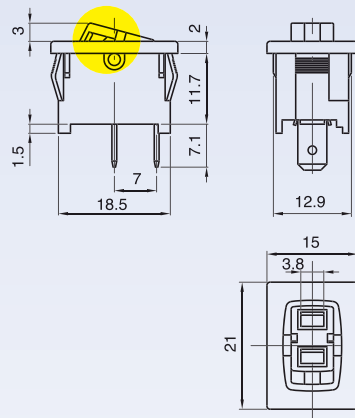


A 1

DRAWING

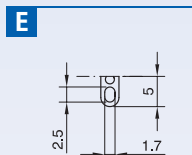
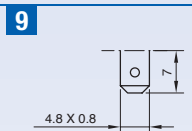
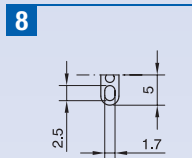
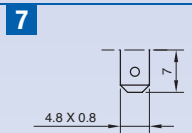
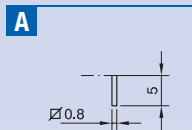
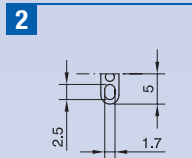
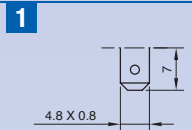


CUSTOMIZABLE



?

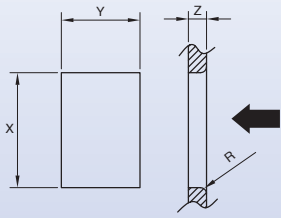
TERMINAL



A1PRT



WATERPROOF CAP



Z	Y	X
0,75 ... 1,25	13,0 ±0,1	19,0 ±0,1
1,25 ... 2,0	13,0 ±0,1	19,3 ±0,2
2,0 ... 3,0	13,0 ±0,1	19,6 ±0,2

TERMINAL	FUNCTION	RATING	BODY COLOUR	ROCKER COLOUR	MARKING COLOUR	MARKING
A	1					
						0 0 0

?	?	?	?	?	?	?	0	0	0
---	---	---	---	---	---	---	---	---	---

FUNCTION

1

3 Terminal 1 - 2 - 9 - E

4 Terminal 1 - 2 - 7 - 8

A Terminal 1 - 2 - 7 - 8

B Terminal 1 - 2

RATING

2

Terminal 1 - 2
Function 4 - A - B

6 (2) A / 250 VAC
3 (1) A / 250 VAC - 5E4
T125/55 °C - T125 °C
EN 61058

6 A - 125 / 250 VAC
1/10 HP - 125 VAC
1/6 HP - 250 VAC
T105 °C
UL 1054
CSA C22.2

3

Terminal 1 - 2 - 7 - 8 - 9 - A - E
Function 1 - 3

10 (4) A / 250 VAC
6 (6) A / 250 VAC
6 (4) A / 250 VAC - 5E4
T125/55 °C - T125 °C
EN 61058

10 A - 125 / 250 VAC
1/3 HP - 125 VAC
1/2 HP - 250 VAC
T105 °C
UL 1054
CSA C22.2

7

Terminal 7 - 8
Function 4 - A

10 (2) A / 250 VAC
6 (1) A / 250 VAC - 5E4
T125/55 °C - T125 °C
EN 61058

10 A - 125 / 250 VAC
1/10 HP - 125 VAC
1/6 HP - 250 VAC
T105 °C
UL 1054
CSA C22.2

B

Terminal 1 - 2 - 9 - E
Function 1 - 3

13 (4) A / 250 VAC
6 (6) A / 250 VAC - 5E4
T125/55 °C - T125 °C
EN 61058

15 A / 125 VAC
10 A / 250 VAC
1/3 HP - 125 VAC
1/2 HP - 250 VAC
T105 °C
UL 1054
CSA C22.2

BODY COLOUR

1 black

2 white

9 red

X custom

ROCKER COLOUR

1 black

2 white

9 red

X custom

MARKING COLOUR

0 none

1 black

2 white

5 grey

7 light blue

8 red

9 orange

X custom

MARKING

0

1

2

3

4

5

6

8

C

F

G

Z

R

X



A1

TYPICAL APPLICATIONS	Small appliances
FUNCTIONS	<ul style="list-style-type: none"> ■ SPST, illuminated or not ■ SPDT ■ SPCO
CYCLE No.	50.000
CUT OUT	19x13 mm
AMBIENT TEMPERATURE	125 °C
GWT	850 °C
GWT NO FLAME (<2sec)	750 °C on demand



A 1

DRAWING

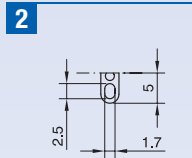
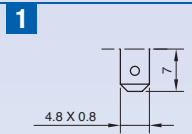
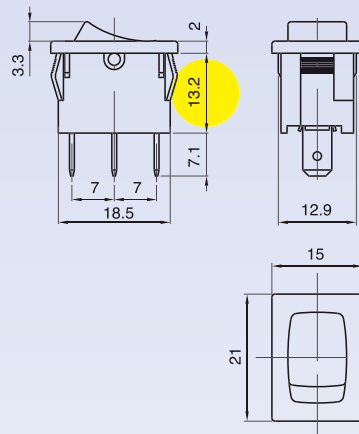
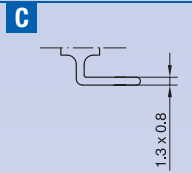
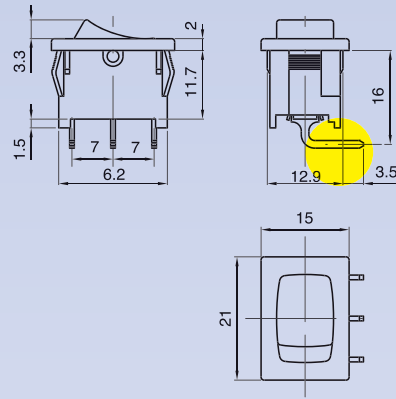
?

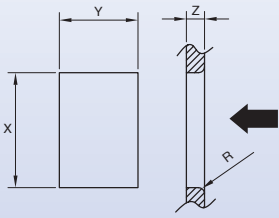
TERMINAL



A1PRT

WATERPROOF CAP





Z	Y	X
0,75 ... 1,25	13,0 ±0,1	19,0 ±0,1
1,25 ... 2,0	13,0 ±0,1	19,3 ±0,2
2,0 ... 3,0	13,0 ±0,1	19,6 ±0,2

TERMINAL	FUNCTION	RATING	BODY COLOUR	ROCKER COLOUR	MARKING COLOUR	MARKING
A	1					0 0 0

?	?	?	?	?	?	?	0	0	0
---	---	---	---	---	---	---	---	---	---

FUNCTION

1 Terminal C

3 Terminal C

5 Terminal 1 - 2

6 Terminal 1 - 2

RATING

3

Terminal 1 - 2 - C
Function 1 - 3 - 6

10 (4) A / 250 VAC
6 (6) A / 250 VAC
6 (4) A / 250 VAC - 5E4
T125/55 °C - T125 °C
EN 61058

10 A - 125 / 250 VAC
1/3 HP - 125 VAC
1/2 HP - 250 VAC
T105 °C
UL 1054
CSA C22.2

6

Terminal 1 - 2
Function 5

10 (2) A / 250 VAC
6 (1) A / 250 VAC - 5E4
T125/55 °C - T125 °C
µ disconnection
EN 61058

6 A - 125 / 250 VAC
1/8 HP - 125 VAC
1/6 HP - 250 VAC
T105 °C
UL 1054
CSA C22.2

B

Terminal 1
Function 6

13 (4) A / 250 VAC
6 (6) A / 250 VAC - 5E4
T125/55 °C - T125 °C
EN 61058

15 A / 125 VAC
10 A / 250 VAC
1/3 HP - 125 VAC
1/2 HP - 250 VAC
T105 °C
UL 1054
CSA C22.2

Terminal 1 - 2
Function 5

13 (4) A / 250 VAC
6 (6) A / 250 VAC - 5E4
T125/55 °C - T125 °C
µ disconnection
EN 61058

15 A / 125 VAC
10 A / 250 VAC
1/3 HP - 125 VAC
1/2 HP - 250 VAC
T105 °C
UL 1054
CSA C22.2

BODY COLOUR

1 black

2 white

9 red

X custom

ROCKER COLOUR

1 black

2 white

9 red

G red

H orange

E green

L white

X custom

ILLUMINATED ✨

MARKING COLOUR

0 none

1 black

2 white

5 grey

7 light blue

8 red

9 orange

X custom

MARKING

0

1

2

3

4

5

6

8

9

C

F

G

Z

S

R

X



TECNO

TYPICAL APPLICATIONS Cleaning and outdoor, small appliances, chainsaw, gardening

FUNCTIONS ■ SPST, momentary or not

CYCLE No. 50.000

CUT OUT 19x13 mm

AMBIENT TEMPERATURE 125 °C

GWT 850 °C

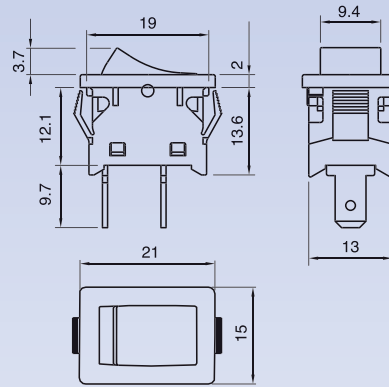
GWT NO FLAME (<2sec) 750 °C on demand



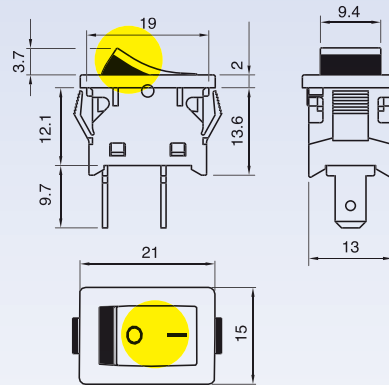
T E C N O ?

DRAWING

7



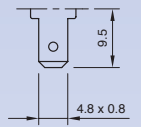
1



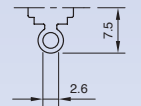
?

TERMINAL

1



2

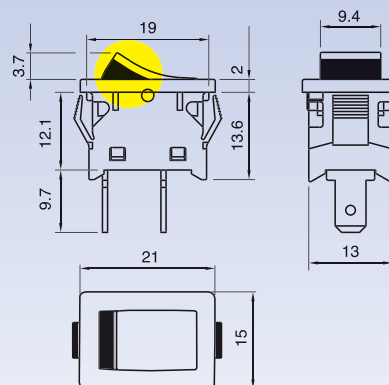


NOTES

Water splash proof body

T E C N O 4

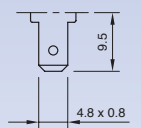
DRAWING

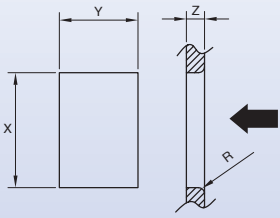


?

TERMINAL

1





Z	Y	X
0,75 ... 3,5	13,0	+0,2 0
		19,0
		+0,2 0

T	E	C	N	O	DRAWING	TERMINAL	FUNCTION	RATING	BODY COLOUR	ROCKER COLOUR	MARKING COLOUR	MARKING	0	0	0
---	---	---	---	---	---------	----------	----------	--------	-------------	---------------	----------------	---------	---	---	---

?	?	?	?	?	?	?	?	?	?	?	?	?	0	0	0
---	---	---	---	---	---	---	---	---	---	---	---	---	---	---	---

FUNCTION RATING BODY COLOR ROCKER COLOUR MARKING COLOUR MARKING

1

1a ●
1

4 Drawing 7

1a ▲
1

A Drawing 7

1a ▲
1

3

10 (4) A / 250 VAC
10 / 100 A / 250 VAC
6 (4) A / 250 VAC - 5E4
T125/55 °C
EN 61058

15 A / 125 VAC
T65 °C
UL 1054

1

black

X **?**

custom

1

black

X **?**

custom

Drawing 7

0

none

1

black

2

white

X **?**

custom

Drawing 1
Side and marking

9

red

0

1

3

X **?**

Drawing 1
from mould

1

T	E	C	N	O	4	TERMINAL	FUNCTION	RATING	BODY COLOUR	ROCKER COLOUR	MARKING COLOUR	MARKING	0	0
---	---	---	---	---	---	----------	----------	--------	-------------	---------------	----------------	---------	---	---

?	?	?	?	?	?	?	?	?	?	?	?	?	0	0
---	---	---	---	---	---	---	---	---	---	---	---	---	---	---

FUNCTION RATING BODY COLOR ROCKER COLOUR MARKING COLOUR MARKING

1

1a ●
1

3

10 (4) A / 250 VAC
10 / 100 A / 250 VAC
6 (4) A / 250 VAC - 5E4
T125/55 °C
EN 61058

15 A / 125 VAC
T65 °C
UL 1054

1

black

X **?**

custom

19

Top Side
black red

XX **?** **?**

custom

0

none

2

white

X **?**

custom

0

1

3

X **?**



A8

TYPICAL APPLICATIONS	Small appliances
FUNCTIONS	■ DPST, illuminated or not
CYCLE No.	50.000
CUT OUT	19x13 mm
AMBIENT TEMPERATURE	125°
GWT	850 °C
GWT NO FLAME (<2sec)	750 °C on demand

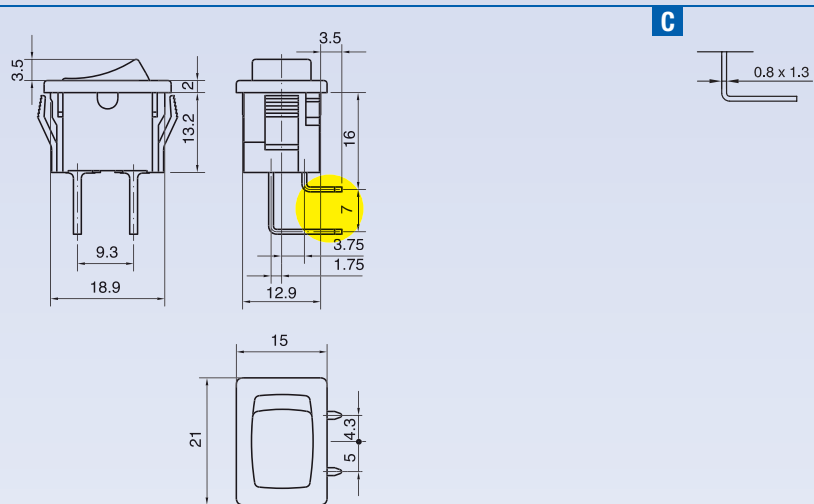
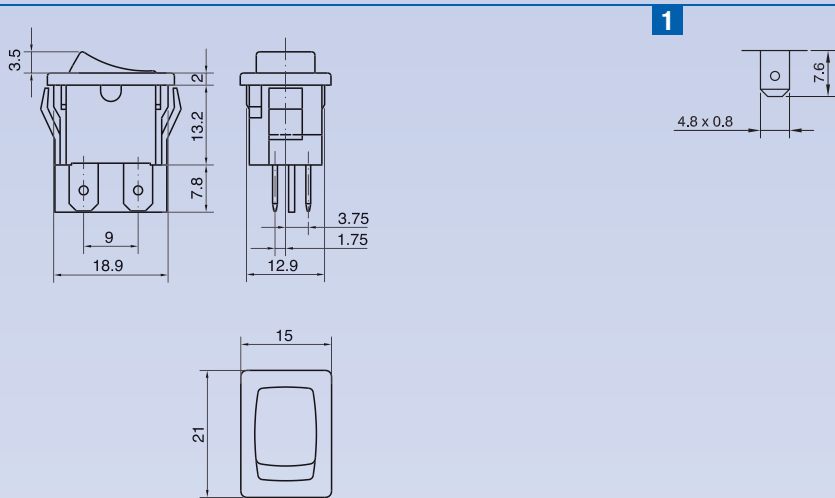


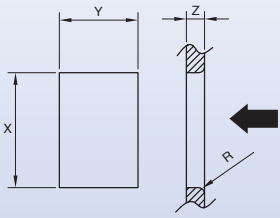
A 8

?

DRAWING

TERMINAL





Z	Y	X
0,7 ... 1,25	13,0 ±0,1	19,0 ±0,2
1,25 ... 2,0	13,0 ±0,1	19,3 ±0,2
2,0 ... 3,0	13,0 ±0,1	19,6 ±0,2

DRAWING TERMINAL	FUNCTION	RATING	BODY COLOUR	ROCKER COLOUR	MARKING COLOUR	MARKING
A	8					0 0 0

?	?	?	?	?	?	0	0	0
---	---	---	---	---	---	---	---	---

FUNCTION

2

8

RATING

3

10 (4) A / 250 VAC
 6 (4) A / 250 VAC - 5E4
 T125 °C
 EN 61058

10 A - 125 / 250 VAC
 1/3 HP - 125 VAC
 1/2 HP - 250 VAC
 T65 °C
 UL 1054
 CSA C22.2

BODY COLOUR

1 black

2 white

X custom

ROCKER COLOUR

1 black

2 white

8 green

ILLUMINATED ✨

G red

H orange

E green

L white

X custom

MARKING COLOUR

0 none

1 black

2 white

5 grey

7 light blue

8 red

9 orange

X custom

MARKING

0

1

4

6

R

X



GP

TYPICAL APPLICATIONS Vacuum and steam cleaners

FUNCTIONS ■ DPST, illuminated or not

CYCLE No. 50.000

CUT OUT 19x13 mm

AMBIENT TEMPERATURE 125 °C

GWT 850 °C

GWT NO FLAME (<2sec) 750 °C on demand



G P

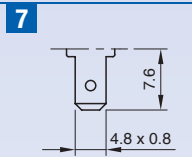
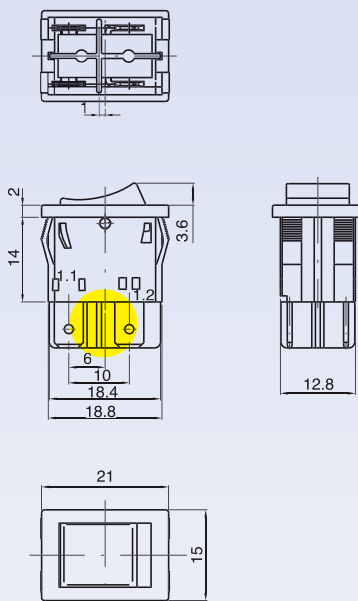
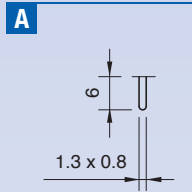
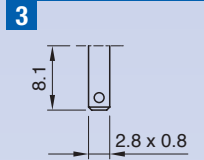
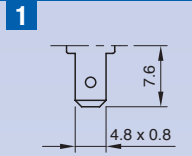
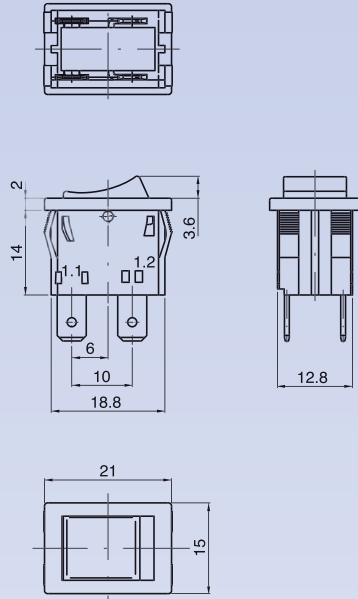
?

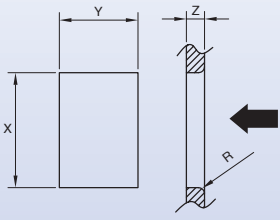
DRAWING

TERMINAL



WATERPROOF CAP





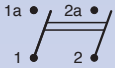
Z	Y	X
0,70 ... 1,25	13,0 ±0,1	19,1 ±0,1
1,25 ... 2,0	13,0 ±0,1	19,4 ±0,1
2,0 ... 3,0	13,0 ±0,1	19,7 ±0,1

TERMINAL	FUNCTION	RATING	BODY COLOUR	ROCKER COLOUR	MARKING COLOUR	MARKING
G	P					
						M 0 0

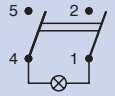
?	?	?	?	?	?	M	0	0
---	---	---	---	---	---	---	---	---

FUNCTION

2



8



RATING

H

12 A / 250 VAC
 6 (6) A / 250 VAC
 2 / 120 A - 250 VAC
 5 (5) A / 250 VAC - 5E4
 T125/55 °C
 EN 61058

15 A / 125 VAC
 12 A / 250 VAC
 T65 °C
 UL 1054

BODY COLOUR

1



black

2



white

X



custom

ROCKER COLOUR

1



black

2



white

9



red

ILLUMINATED ✨

G



red

E



green

X



custom

MARKING COLOUR

0



none

1



black

2



white

8



red

X



custom

MARKING

0



1



4



6



R



X





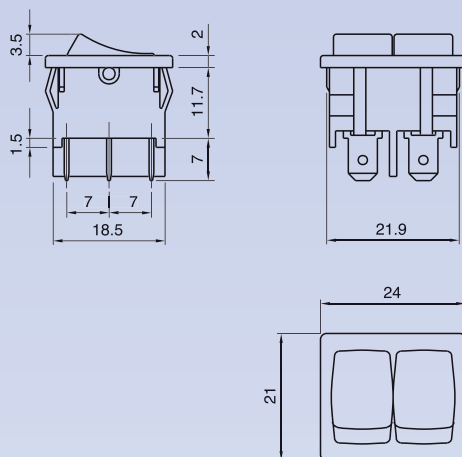
A2

TYPICAL APPLICATIONS	Hairdryers, small appliances
FUNCTIONS	<ul style="list-style-type: none"> ■ Double SPST ■ Double SPDT momentary ■ SPST, illuminated or not + Indicator light ■ SPST + SPCO
CYCLE No.	50.000
CUT OUT	19x22 mm
AMBIENT TEMPERATURE	125 °C
GWT	850 °C
GWT NO FLAME (<2sec)	750 °C on demand

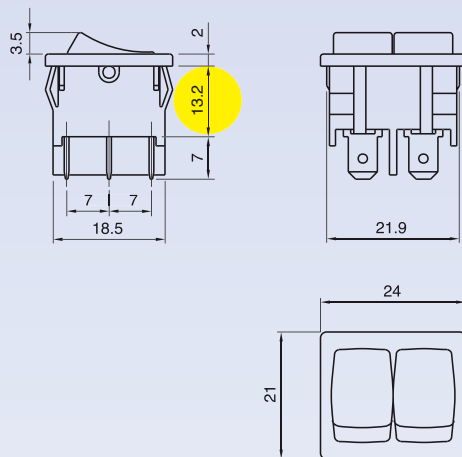


A 2

DRAWING

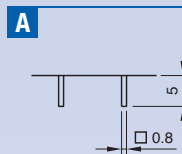
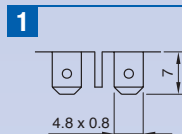


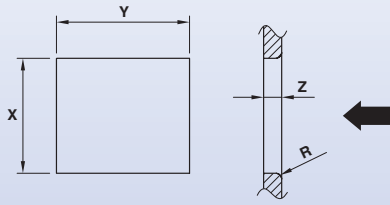
Function K - W



?

TERMINAL





Z	Y	X
0,7 ... 1,25	22,0 ±0,1	19,0 ±0,2
1,25 ... 2,0	22,0 ±0,1	19,3 ±0,2
2,0 ... 3,0	22,0 ±0,1	19,6 ±0,2

TERMINAL	FUNCTION	RATING	BODY COLOUR	ROCKER COLOUR L	ROCKER COLOUR R	MARKING COLOUR	MARKING L	MARKING R
A	2							0 0

?	?	?	L ?	R ?	?	L ?	R ?	0	0
---	---	---	-----	-----	---	-----	-----	---	---

FUNCTION

RATING

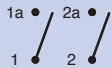
BODY COLOUR

ROCKER COLOUR

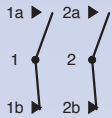
MARKING COLOUR

MARKING

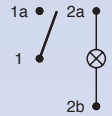
1 Terminal 1



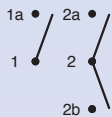
B Terminal 1



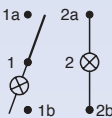
G Terminal 1



K Terminal A



W Terminal 1



2

Function B

6 (2) A / 250 VAC
3 (1) A / 250 VAC - 5E4
T125/55 °C - T125 °C
EN 61058

6 A - 125 / 250 VAC
1/10 HP - 125 VAC
1/6 HP - 250 VAC
T105 °C
UL 1054
CSA C22.2

3

Function 1 - G - W

10 (4) A / 250 VAC
6 (4) A / 250 VAC - 5E4
T125/55 °C - T125 °C
EN 61058

10 A - 125 / 250 VAC
1/3 HP - 125 VAC
1/2 HP - 250 VAC
T105 °C
UL 1054
CSA C22.2

6

Function K

10 (2) A / 250 VAC
6 (1) A / 250 VAC - 5E4
T125/55 °C - T125 °C
µ disconnection
EN 61058

6 A - 125 / 250 VAC
1/8 HP - 125 VAC
1/6 HP - 250 VAC
T105 °C
UL 1054
CSA C22.2

1

black

2

white

X ?

custom

1

black

2

white

9

red

B

light blue

ILLUMINATED ✨

G

red

H

orange

E

green

L

white

X ?

custom

0

none

1

black

2

white

5

grey

7

light blue

8

red

9

orange

X ?

custom

0



1



2



3



4



5



6



8



9



C



F



G



S



R



Z



X



X ?





A4

TYPICAL APPLICATIONS Vacuum cleaners, H VAC

- FUNCTIONS**
- SPST, momentary or not
 - DPST, illuminated or not
 - DPCO
 - DPDT, momentary or not

CYCLE No. 50.000

CUT OUT 19x22 mm

AMBIENT TEMPERATURE 125 °C

GWT 850 °C

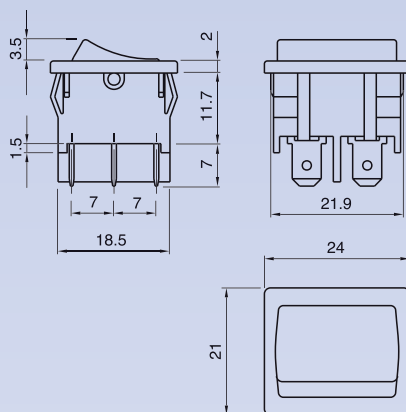
GWT NO FLAME (<2sec) 750 °C on demand



A

4

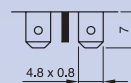
DRAWING



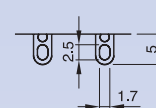
?

TERMINAL

1

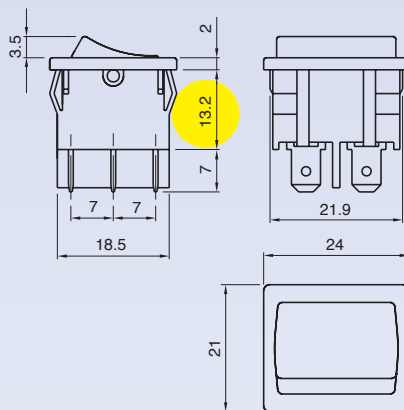


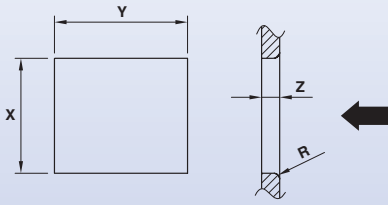
2



WATERPROOF CAP

Function 9





Z	Y	X
0,7 ... 1,25	22,0 ±0,1	19,0 ±0,2
1,25 ... 2,0	22,0 ±0,1	19,3 ±0,2
2,0 ... 3,0	22,0 ±0,1	19,6 ±0,2

TERMINAL	FUNCTION	RATING	BODY COLOUR	ROCKER COLOUR	MARKING COLOUR	MARKING
A	4					0 0 0

?	?	?	?	?	?	?	0	0	0
---	---	---	---	---	---	---	---	---	---

FUNCTION

1

2

4

8

9

L

M

RATING

2

Function 4 - M
6 (2) A / 250 VAC
3 (1) A / 250 VAC - 5E4
T125/55 °C - T125 °C
EN 61058

6 A - 125 / 250 VAC
 1/6 HP - 250 VAC
 1/10 HP - 125 VAC
 T105 °C
 UL 1054
 CSA C22.2

3

Function 1 - 2 - L - 8
10 (4) A / 250 VAC
6 (4) A / 250 VAC - 5E4
T125/55 °C - T125 °C
EN 61058

10 A - 125 / 250 VAC
 1/3 HP - 125 VAC
 1/2 HP - 250 VAC
 T105 °C
 UL 1054
 CSA C22.2

6

Function 9
10 (2) A / 250 VAC
6 (1) A / 250 VAC - 5E4
T125/55 °C - T125 °C
µ disconnection
EN 61058

6 A - 125 / 250 VAC
 1/8 HP - 125 VAC
 1/6 HP - 250 VAC
 T105 °C
 UL 1054
 CSA C22.2

B

Function 2
13 (4) A / 250 VAC
8 (8) A / 250 VAC - 5E4
T125/55 °C - T125 °C
EN 61058

15 A / 125 VAC
 10 A / 250 VAC
 1/3 HP - 125 VAC
 1/2 HP - 250 VAC
 T105 °C
 UL 1054
 CSA C22.2

Function 9
13 (4) A / 250 VAC
6 (4) A / 250 VAC - 5E4
T125/55 °C - T125 °C
µ disconnection
EN 61058

15 A / 125 VAC
 10 A / 250 VAC
 1/3 HP - 125 VAC
 1/2 HP - 250 VAC
 T105 °C
 UL 1054
 CSA C22.2

BODY COLOUR

1 black

2 white

X custom

ROCKER COLOUR

1 black

2 white

G red

H orange

E green

L white

X custom

ILLUMINATED ✨

MARKING COLOUR

0 none

1 black

2 white

5 grey

7 light blue

8 red

9 orange

X custom

MARKING

0

1

2

3

8

5

9

C

K

N

Z

X



A4

TYPICAL APPLICATIONS	Vacuum cleaners, H VAC
FUNCTIONS	<ul style="list-style-type: none"> ■ DPST, illuminated or not ■ DPDT
CYCLE No.	50.000
CUT OUT	19x22 mm
AMBIENT TEMPERATURE	125 °C
GWT	850 °C
GWT NO FLAME (<2sec)	750 °C on demand



A 4

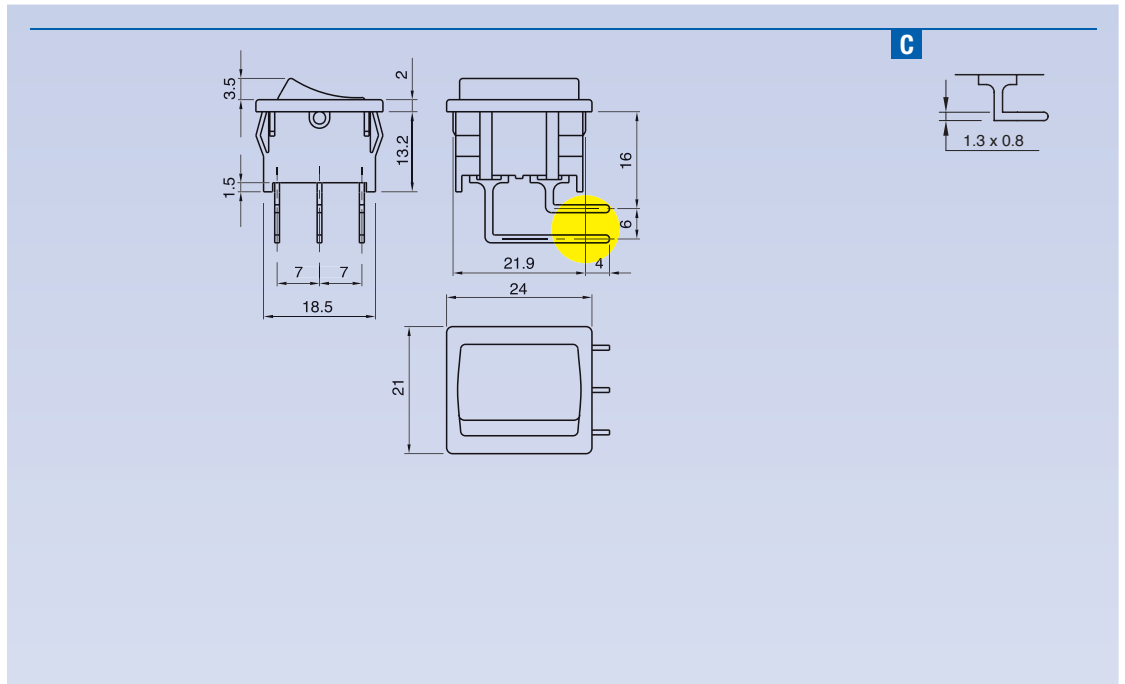
DRAWING

?

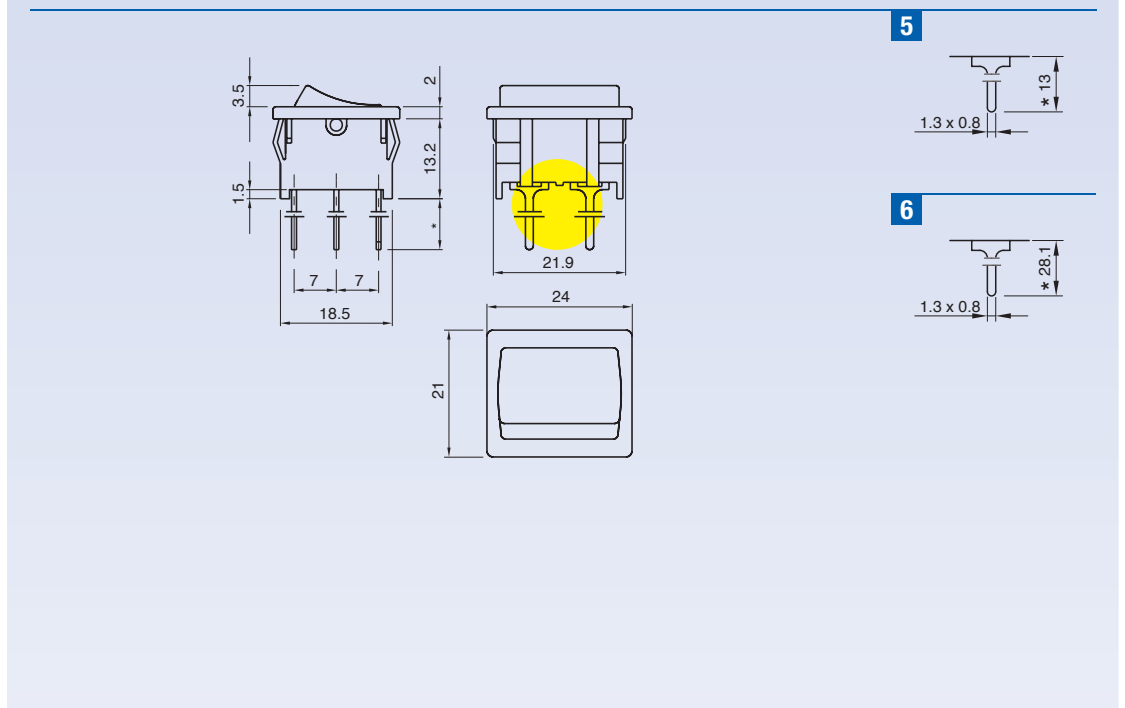
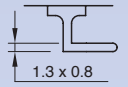
TERMINAL



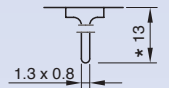
WATERPROOF CAP



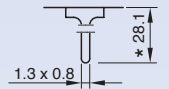
C

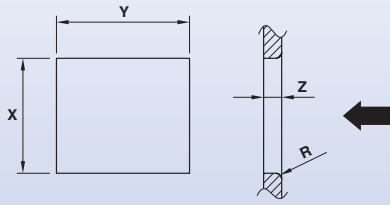


5



6





Z	Y	X
0,7 ... 1,25	22,0 ±0,1	19,0 ±0,2
1,25 ... 2,0	22,0 ±0,1	19,3 ±0,2
2,0 ... 3,0	22,0 ±0,1	19,6 ±0,2

TERMINAL	FUNCTION	RATING	BODY COLOUR	ROCKER COLOUR	MARKING COLOUR	MARKING
A	4					0 0 0

?	?	?	?	?	?	0	0	0
---	---	---	---	---	---	---	---	---

FUNCTION

RATING

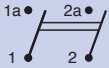
BODY COLOUR

ROCKER COLOUR

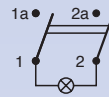
MARKING COLOUR

MARKING

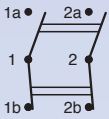
2 Terminal C - 6



8 Terminal C



L Terminal 5



3

10 (4) A / 250 VAC
 6 (4) A / 250 VAC - 5E4
 T125/55 °C - T125 °C
 EN 61058

10 A - 125 / 250 VAC
 1/3 HP - 125 VAC
 1/2 HP - 250 VAC
 T105 °C
 UL 1054
 CSA C22.2

1

black

2

white

X

custom

1

black

2

white

ILLUMINATED ✨

G

red

H

orange

E

green

L

white

X

custom

0

none

1

black

2

white

5

grey

7

light blue

8

red

9

orange

X

custom

0



1



2



3



5



C



K



Z



X





B10

TYPICAL APPLICATIONS Ironing systems

FUNCTIONS

- SPST, momentary or not
- SPDT, momentary or not
- SPCO

CYCLE No. 50.000

CUT OUT 27x12 mm

AMBIENT TEMPERATURE 120 °C

GWT 850 °C

GWT NO FLAME (<2sec) 750 °C on demand

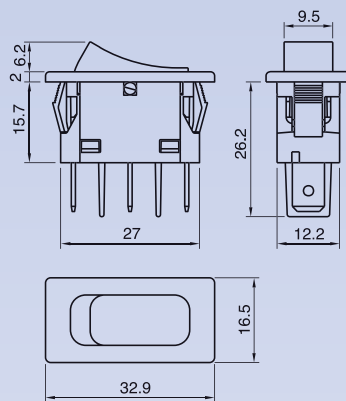


B 1 0

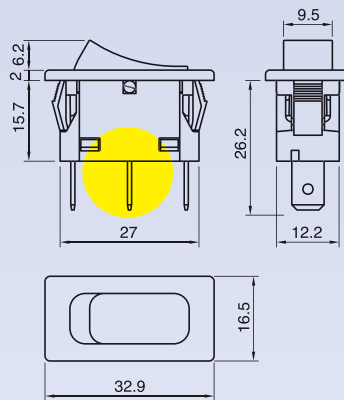
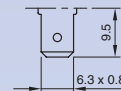
?

DRAWING

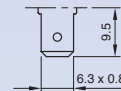
TERMINAL



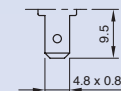
1



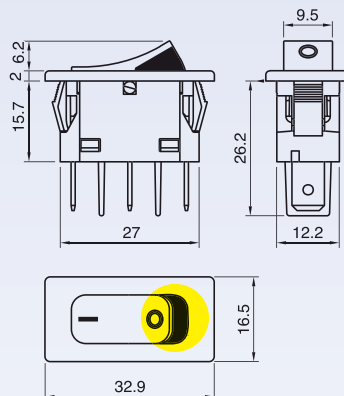
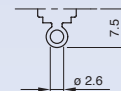
6



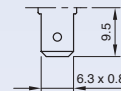
T

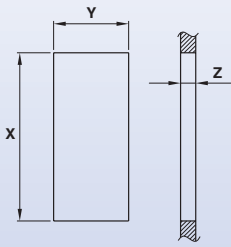


U



3





Z	Y	X
0,75 ... 1,25	12,4	$\begin{matrix} +0,2 \\ 0 \end{matrix}$ 27,4 $\begin{matrix} +0,1 \\ 0 \end{matrix}$
1,25 ... 2,0	12,4	$\begin{matrix} +0,2 \\ 0 \end{matrix}$ 27,6 $\begin{matrix} +0,1 \\ 0 \end{matrix}$
2,0 ... 3,0	12,4	$\begin{matrix} +0,2 \\ 0 \end{matrix}$ 27,8 $\begin{matrix} +0,1 \\ 0 \end{matrix}$

TERMINAL	FUNCTION	RATING	BODY COLOUR	ROCKER COLOUR	MARKING COLOUR	MARKING
B	1	0				
						0 0 0

?	?	?	?	?	?	?	0	0	0
---	---	---	---	---	---	---	---	---	---

FUNCTION

1

3 Terminal 1 - 6 - U

4 Terminal 1 - 6 - U

5 Terminal 1 - 6 - U

A Terminal 1 - 6 - U

B Terminal 1 - 6 - U

RATING

1

Function 1

4 (1) A / 250 VAC
 2 (0.5) A / 250V - 5E4
 T120/55 °C
 EN 61058

C

Terminal 1 - 6 - U - 3

16 (6) A / 250 VAC
 10 (4) A / 250 VAC - 5E4
 T120/55 °C
 EN 61058

20 A / 125 VAC
 16 A / 250 VAC
 1/3 HP - 125 VAC
 3/4 HP - 250 VAC
 T85 °C
 UL 1054
 CSA C22.2

BODY COLOUR

1 black

2 white

X custom

ROCKER COLOUR

1 black

2 white

9 red

X custom

MARKING COLOUR

0 none

1 black

2 white

5 grey

7 light blue

8 red

9 orange

X custom

MARKING

0

1

2

9

A

N

X

Terminal 3 side and marking

8 green

Terminal 3 from mould

1



SX81

TYPICAL APPLICATIONS Refrigerators, electromedical appliances
coffee machines, gardening equipments

FUNCTIONS

- SPST, momentary or not
- SPST illuminated
- SPDT
- SPCO

CYCLE No. 50.000

CUT OUT 30x11 mm

AMBIENT TEMPERATURE 125 °C

GWT 850 °C

GWT NO FLAME (<2sec) 750 °C on demand



S X 8 1 ?

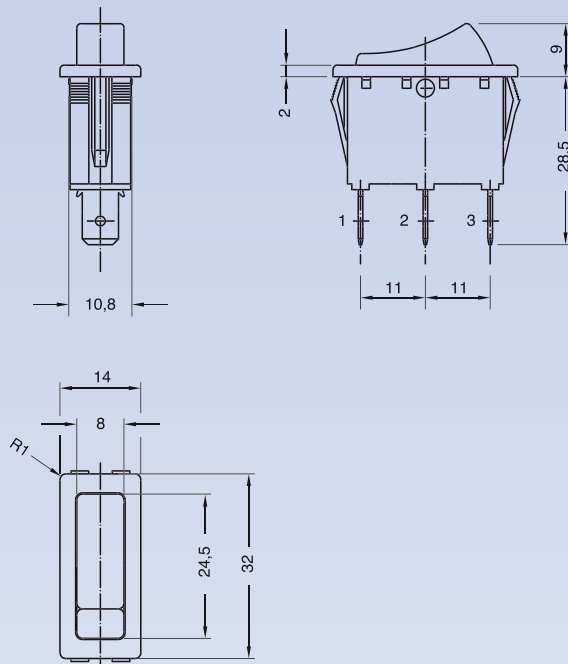
?

DRAWING

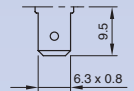
TERMINAL



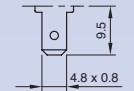
WATERPROOF CAP



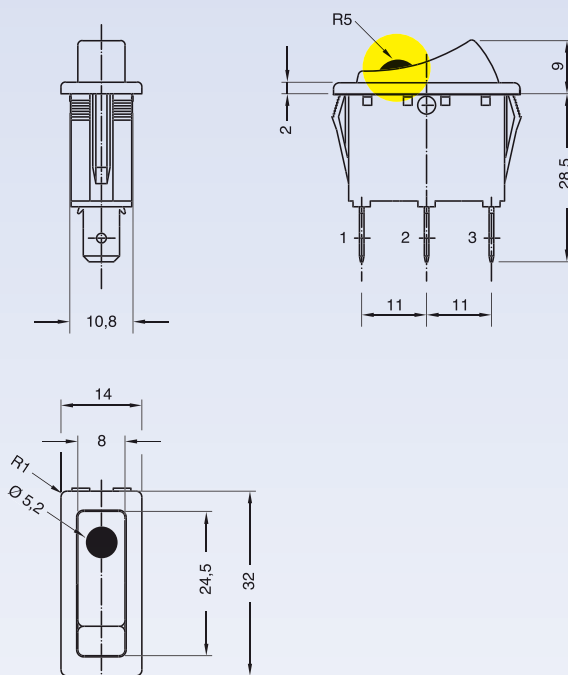
1

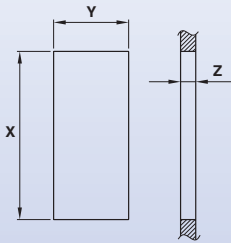


2



3





	Z	Y	X
PLASTIC	0,7 ... 3,5	11,0 ±0,1	30,0 ^{+0,2} / ₀
METAL	0,7 ... 2,5	11,0 ±0,1	30,2 ^{+0,2} / ₀

S	X	8	1	DRAWING	TERMINAL	FUNCTION	RATING	BODY COLOUR	ROCKER COLOUR	MARKING COLOUR	MARKING	LENS COLOUR	0	0	0
---	---	---	---	---------	----------	----------	--------	-------------	---------------	----------------	---------	-------------	---	---	---

?	?	?	?	?	?	?	0	0	0
FUNCTION	RATING	BODY COLOUR	ROCKER COLOUR	MARKING COLOUR	MARKING	LENS COLOUR			

1

3

4

5

6

8

Function 1
 20 (2) A / 250 VAC *
 16 (8) A / 250 VAC
 10 (4) A / 400 VAC
 10 (6) A / 250 VAC - 5E4
 T125/55 °C
 EN 61058

20 A / 125 VAC
 16 A / 250 VAC
 3/4 HP - 125 / 250 VAC
 T105 °C
 UL 1054

Function 3 - 4 - B
 16 (6) A / 250 VAC
 10 (4) A / 400 VAC
 10 (4) A / 250 VAC - 5E4
 T125/55 °C
 EN 61058

20 A / 125 VAC
 16 A / 250 VAC
 3/4 HP - 125 / 250 VAC
 T105 °C
 UL 1054

Function 5
 16 (6) A / 250 VAC
 10 (4) A / 250 VAC - 5E4
 T125/55 °C
 EN 61058

16 A - 125 / 250 VAC
 3/4 HP - 125 / 250 VAC
 T105 °C
 UL 1054

Function 6
 20 (2) A / 250 VAC *
 16 (8) A / 250 VAC
 10 (6) A / 250 VAC - 5E4
 T125/55 °C
 EN 61058

20 A / 125 VAC
 16 A / 250 VAC
 3/4 HP - 125 / 250 VAC
 T105 °C
 UL 1054

* Not available with terminal 2

1 black

2 white

X custom

1 black

2 white

9 red

ILLUMINATED ✨

G red

H orange

E green

X custom

0 none

1 black

2 white

X custom

0 none

1

2

6

A

C

N

X custom

0 none

ILLUMINATED ✨

G red

H orange

E green

X custom



SX8A

TYPICAL APPLICATIONS Small appliances

FUNCTIONS ■ SPST, illuminated or not

CYCLE No. 50.000

CUT OUT 30x22 mm

AMBIENT TEMPERATURE 125 °C

GWT 850 °C

GWT NO FLAME (<2sec) 750 °C on demand

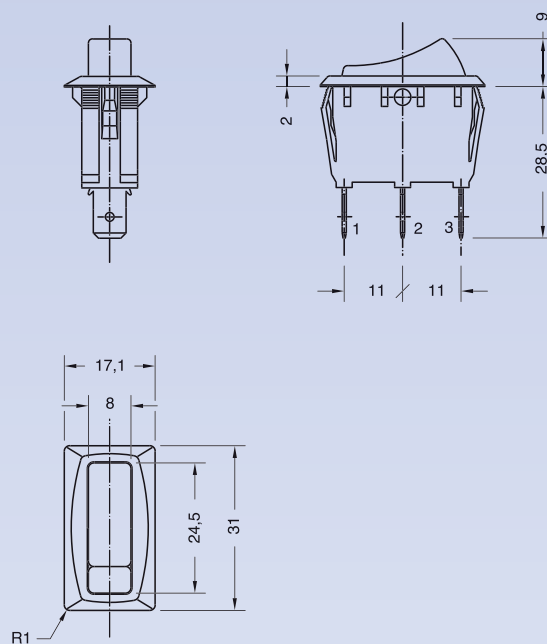


S X 8 A ?

?

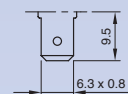
DRAWING

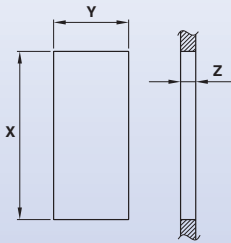
1



TERMINAL

1





US cut out

Z	Y	X
0,7	14,0 ±0,1	28,2 ±0,1

S	X	8	A	DRAWING	TERMINAL	FUNCTION	RATING	BODY COLOUR	ROCKER COLOUR	MARKING COLOUR	MARKING
											0 0 0 0

?	?	?	?	?	?	0	0	0	0
---	---	---	---	---	---	---	---	---	---

FUNCTION

RATING

BODY COLOUR

ROCKER COLOUR

MARKING COLOUR

MARKING

1

6

?

Other function available on demand

8

Function 1

20 (2) A / 250 VAC
16 (8) A / 250 VAC
10 (6) A / 250 VAC - 5E4
10 (4) A / 400 VAC
T125/55 °C
EN 61058

20 A / 125 VAC
3/4 HP - 125 VAC
16 A / 250 VAC
3/4 HP - 250 VAC
T105 °C
UL 1054

Function 6

20 (2) A / 250 VAC
16 (8) A / 250 VAC
10 (6) A / 250 VAC - 5E4
T125/55 °C
EN 61058

16 A / 250 VAC
3/4 HP - 250 VAC
T105 °C
UL 1054

B

Function 6

20 (2) A / 250 VAC
16 (8) A / 250 VAC
10 (6) A / 250 VAC - 5E4
T125/55 °C
EN 61058

16 A / 250 VAC
3/4 HP - 250 VAC
T105 °C
UL 1054

1 black

2 white

X **?** custom

1 black

2 white

9 red

ILLUMINATED ✨

G red

H orange

E green

X **?** custom

0 none

1 black

2 white

X **?** custom

0

1

2

6

C

N

X **?**



SX82

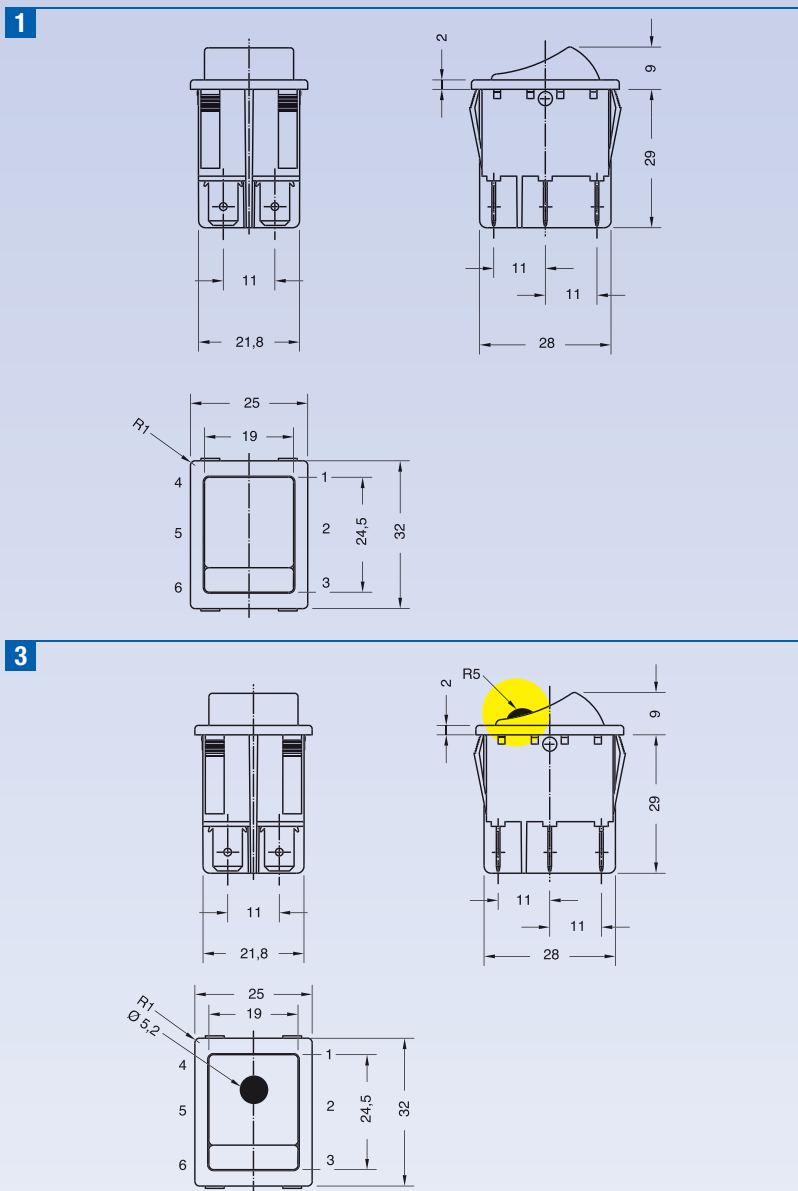


TYPICAL APPLICATIONS	Coffee machines, refrigerators, ironing steam generators, medical appliances, vacuum cleaners, power inlet
FUNCTIONS	<ul style="list-style-type: none"> ■ SPST, illuminated or not ■ DPST, momentary or not ■ DPST, illuminated or not ■ DPCO ■ DPDT
CYCLE No.	50.000
CUT OUT	30x22 mm
AMBIENT TEMPERATURE	125 °C
GWT	850 °C
GWT NO FLAME (<2sec)	750 °C on demand

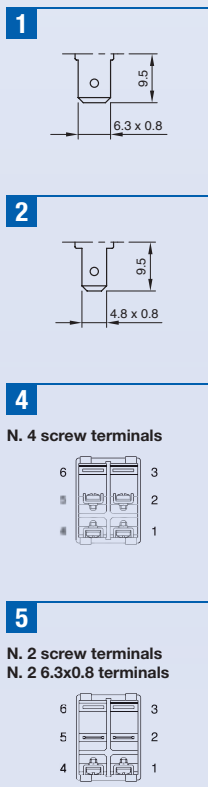
S X 8 2 ?

?

DRAWING

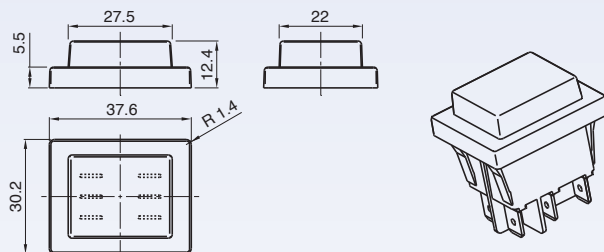


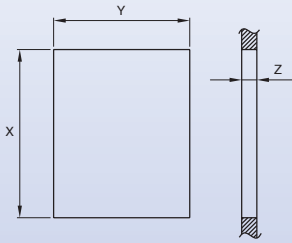
TERMINAL



WATERPROOF CAP

C Waterproof cap mounted





		Z	Y	X
STANDARD	PLASTIC	0,7 ... 3,5	22 ±0,1	30 +0,2 0
WATERPROOF CAP VERSION	METAL	0,7 ... 2,5	22 ±0,1	30,2 +0,2 0

	DRAWING	TERMINAL	FUNCTION	RATING	BODY COLOUR	ROCKER COLOUR	MARKING COLOUR	MARKING	LENS COLOUR			
S	X	8	2							0	0	0

?	?	?	?	?	?	?	?	0	0	0
FUNCTION	RATING	BODY COLOUR	ROCKER COLOUR	MARKING COLOUR	MARKING	LENS COLOUR				

1 Terminal 1 - 2

2

7 Terminal 1

8

9 Terminal 1

L Terminal 1

W Terminal 1

8

Function 1 - 2
 20 (2) A / 250 VAC *
 16 (8) A / 250 VAC
 10 (6) A / 250 VAC - 5E4
 T125/55 °C
 EN 61058

20 A / 125 VAC
 16 A / 250 VAC
 3/4 HP - 125 / 250 VAC
 T105 °C
 UL 1054

Function 7 - L
 16 (6) A / 250 VAC
 10 (4) A / 400 VAC
 10 (4) A / 250 VAC - 5E4
 T125/55 °C
 EN 61058

20 A / 125 VAC
 16 A / 250 VAC
 3/4 HP - 125 / 250 VAC
 T105 °C
 UL 1054

Function 8 - W
 20 (2) A / 250 VAC *
 16 (8) A / 250 VAC
 10 (6) A / 250 VAC - 5E4
 T125/55 °C
 EN 61058

20 A / 125 VAC
 16 A / 250 VAC
 3/4 HP - 125 / 250 VAC
 T105 °C
 UL 1054

Function 9
 16 (6) A / 250 VAC
 10 (4) A / 250 VAC - 5E4
 T125/55 °C
 EN 61058

16 A / 125 VAC
 16 A / 250 VAC
 3/4 HP - 125 / 250 VAC
 T105 °C
 UL 1054

B

Function 8 - W
 20 (2) A / 250 VAC *
 16 (8) A / 250 VAC
 10 (6) A / 250 VAC - 5E4
 T125/55 °C
 EN 61058

16 A / 250 VAC
 3/4 HP - 250 VAC
 T105 °C
 UL 1054

* Not available for terminal 2

1 black

2 white

X custom

1 black

2 white

ILLUMINATED

G red

H orange

E green

L white

F blue

X custom

1 black

2 white

0 none

X custom

1

2

6

9

A

C

D

N

0

X

0 none

ILLUMINATED

G red

H orange

E green

X custom



SX83



TYPICAL APPLICATIONS Small appliances

- FUNCTIONS**
- Double SPST, illuminated or not
 - Double SPDT
 - SPST, illuminated or not + Indicator light
 - SPST + SPCO

CYCLE No. 50.000

CUT OUT 30x22 mm

AMBIENT TEMPERATURE 125 °C

GWT 850 °C

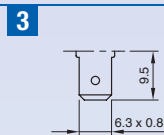
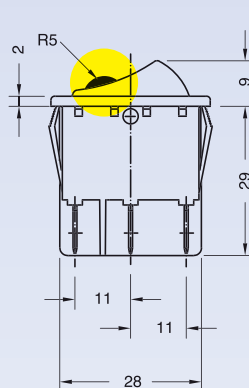
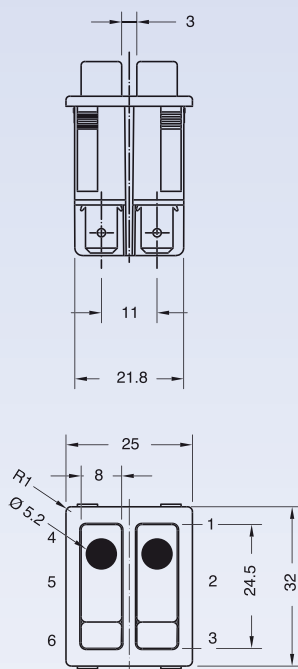
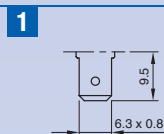
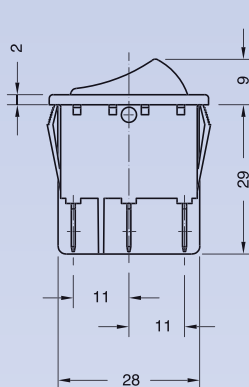
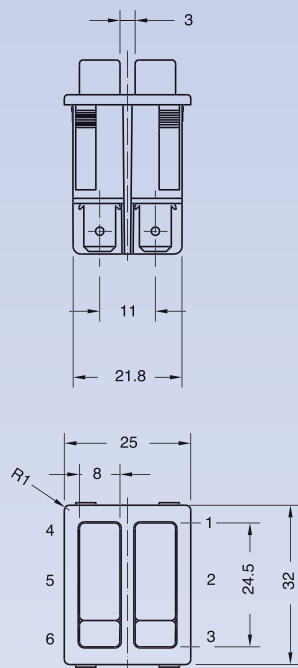
GWT NO FLAME (<2sec) 750 °C on demand

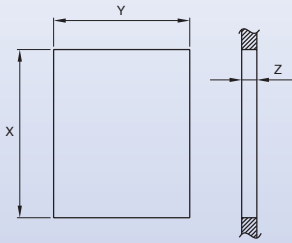
S X 8 3

?

DRAWING

TERMINAL





	Z	Y	X
PLASTIC	0,7 ... 3,5	22 ±0,1	30 +0,2 / 0
METAL	0,7 ... 2,5	22 ±0,1	30,2 +0,2 / 0

TERMINAL	FUNCTION	RATING	BODY COLOUR	ROCKER COLOUR L	ROCKER COLOUR R	MARKING COLOUR	MARKING L	MARKING R	LENS COLOUR
S	X	8	3						0 0

?	?	?	L ? R ?	?	L ? R ?	?
FUNCTION	RATING	BODY COLOUR	ROCKER COLOUR	MARKING COLOUR	MARKING	LENS COLOUR
?	?	?	?	?	?	?

1

3

6

F

K

R

W

8

Function 1
 20 (2) A / 250 VAC
 16 (8) A / 250 VAC
 10 (4) A / 400 VAC
 10 (6) A / 250 VAC - 5E4
 T125/55 °C
 EN 61058

20 A / 125 VAC
 16 A / 250 VAC
 3/4 HP - 125 / 250 VAC
 T105 °C
 UL 1054

Function 3
 16 (8) A / 250 VAC
 10 (4) A / 400 VAC
 10 (6) A / 250 VAC - 5E4
 T125/55 °C
 EN 61058

20 A / 125 VAC
 16 A / 250 VAC
 3/4 HP - 125 / 250 VAC
 T105 °C
 UL 1054

Function W - 6
 20 (2) A / 250 VAC
 16 (8) A / 250 VAC
 10 (6) A / 250 VAC - 5E4
 T125/55 °C
 EN 61058

20 A / 125 VAC
 16 A / 250 VAC
 3/4 HP - 125 / 250 VAC
 T105 °C
 UL 1054

A

Function R
 20 (2) A / 250 VAC
 16 (8) A / 250 VAC
 10 (6) A / 250 VAC - 5E4
 T125/55 °C
 EN 61058

B

Function 6 - F
 20 (2) A / 250 VAC
 16 (8) A / 250 VAC
 10 (6) A / 250 VAC - 5E4
 T125/55 °C
 EN 61058

16 A / 250 VAC
 3/4 HP - 250 VAC
 T105 °C
 UL 1054

D

Function K
 16 (6) A / 250 VAC
 10 (4) A / 250 VAC - 5E4
 T125/55 °C
 EN 61058

1 black

2 white

X ? custom

1 black

2 white

ILLUMINATED

G red

H orange

E green

X ? custom

0 none

1 black

2 white

X ? custom

0

1

4

D

E

H

N

X

0 none

ILLUMINATED

G red

H orange

E green

X ? custom



SXD1

TYPICAL APPLICATIONS Coffee makers, electric fryers, crêpes machines, ironing steam generators

FUNCTIONS ■ SPST, momentary or not
■ SPST, illuminated or not

CYCLE No. 50.000

CUT OUT See drawing

AMBIENT TEMPERATURE 125 °C

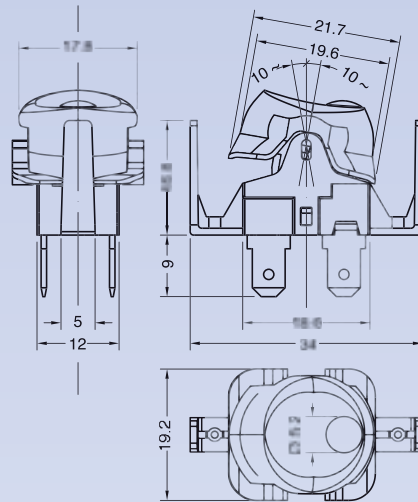
GWT 850 °C

GWT NO FLAME (<2sec) 750 °C on demand

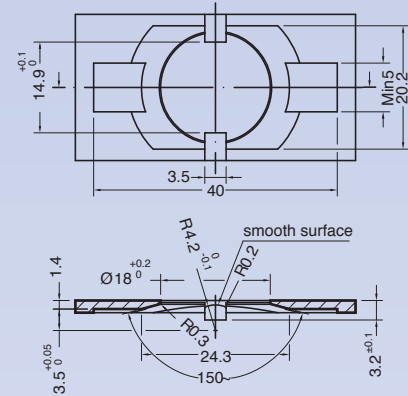


S X D 1 ?

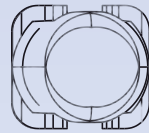
DRAWING



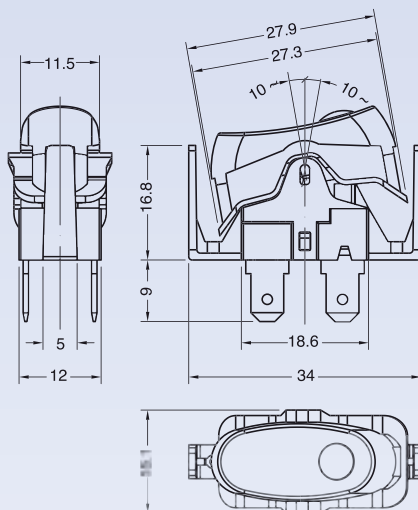
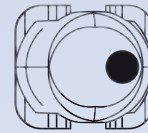
Cut out



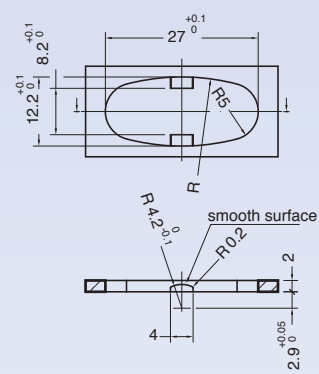
1



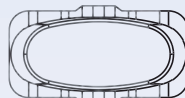
2



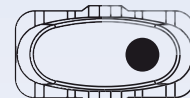
Cut out



3



4



C

Custom rocker shape

?

	DRAWING	TERMINAL	FUNCTION	RATING	ROCKER COLOUR	LENS COLOUR	CUSTOM SHAPE			
S	X	D	1					0	0	0

?	?	?	?	?	?	?	?	0	0	0
---	---	---	---	---	---	---	---	---	---	---

TERMINAL FUNCTION RATING ROCKER COLOUR LENS COLOUR CUSTOM SHAPE

1

2

ROUND SHAPE

1 Drawing 1

5 Drawing 2

OVAL SHAPE

1 Drawing 3

5 Drawing 4

P Drawing 4

A

Function 1-5
 16 (4) A / 250 VAC
 10 (8) A / 250 VAC - 5E4
 T125/55 °C
 EN 61058

Function P
 12 (6) A / 250 VAC
 8 (4) A / 250 VAC - 5E4
 T125/55 °C
 EN 61058

B

Function 1-5
 16 A / 125 VAC
 1 HP / 125 VAC
 T105 °C
 UL 1054

C

Function 1-5
 16 (4) A / 250 VAC
 T125/55 °C
 EN 61058

16 A 125 / 250 VAC
 1 HP 125 / 250 VAC
 T105 °C
 UL 1054

Function P
 12 (6) A / 250 VAC
 T125/55 °C
 EN 61058

12 A 125 / 250 VAC
 1/2 HP 125 / 250 VAC
 T105 °C
 UL 1054

E

Function 1-5
 16 A / 250 VAC
 1 HP / 250 VAC
 T105 °C
 UL 1054

1 black

2 white

X **?** custom

0 none

ILLUMINATED ✨

G red

H orange

L white

E green

X **?** custom

0 none

X **?** custom



RS



TYPICAL APPLICATIONS Small appliances

- FUNCTIONS**
- SPST, momentary or not
 - SPST, illuminated or not
 - DPST, illuminated or not
 - SPDT
 - SPCO

CYCLE No. 10.000

CUT OUT \varnothing 20 mm

AMBIENT TEMPERATURE 85 °C

GWT 850 °C

GWT NO FLAME (<2sec) 750 °C on demand

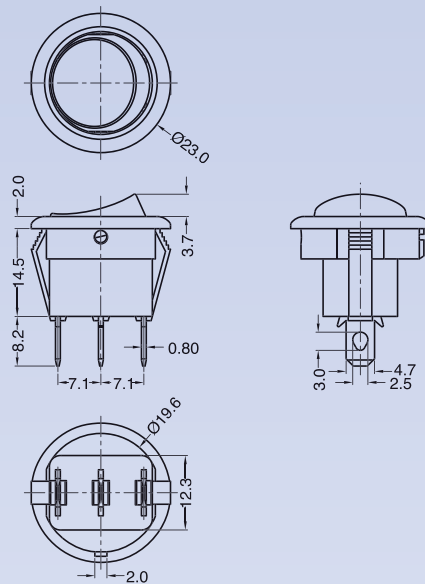
R

S

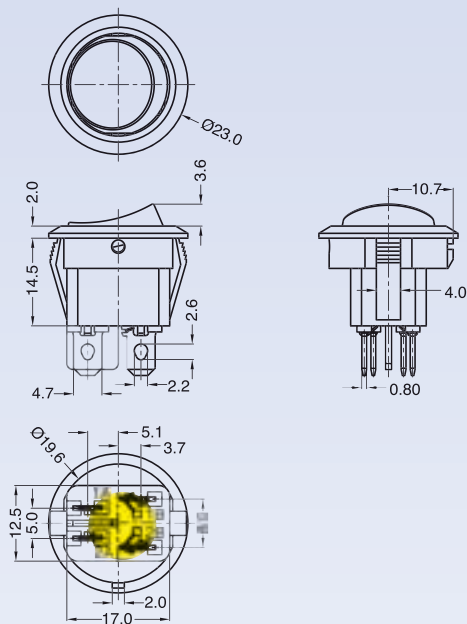
?

DRAWING

1



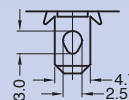
2

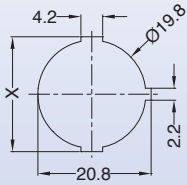


?

TERMINAL

2





Panel thickness	X
0,75 ... 1,25	20.3
1,25 ... 2,0	20.8
2,0 ... 3,0	21.1

DRAWING	TERMINAL	FUNCTION	RATING	BODY COLOUR	ROCKER COLOUR	MARKING COLOUR	MARKING
R	S						
							0 0 0

?	?	?	?	?	?	?	0	0	0
---	---	---	---	---	---	---	---	---	---

FUNCTION

1

2

3

4

5

8

A

Z

RATING

1

Drawing 1
Function 1 - 3 - 4 - 5 - A - Z
12 (4) A / 250 VAC
T125/55 °C
EN 61058

16 A / 125 VAC
10 A / 250 VAC
T105 °C
UL1054

2

Drawing 2
Function 2 - 8
12 (4) A / 250 VAC
T125/55 °C
EN 61058

12 A - 125 / 250 VAC
T125 °C
UL 1054

BODY COLOUR

1 black

2 white

X custom

ROCKER COLOUR

1 black

2 white

ILLUMINATED ✨

G red

E green

H orange

F blue

X custom

MARKING COLOUR

0 none

1 black

2 white

X custom

MARKING

0

1

3

9

L

X

Push-Button Switches

01



SXL4

64



LITE

76



SCA

66



DY1

78



P1

68



DY2

80



SP60

70



**DY
Accessories**

82



SP63

72



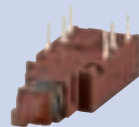
SPM

84



SXL5

74



TOUCH

86



SXL4

TYPICAL APPLICATIONS Coffee machines, washing machines

FUNCTIONS

- SPST, momentary or not
- SPST, illuminated or not
- DPST, momentary or not
- DPST, illuminated or not

CYCLE No. 50.000

CUT OUT 19x13 mm

AMBIENT TEMPERATURE 125 °C

GWT 850 °C

GWT NO FLAME (<2sec) 750 °C

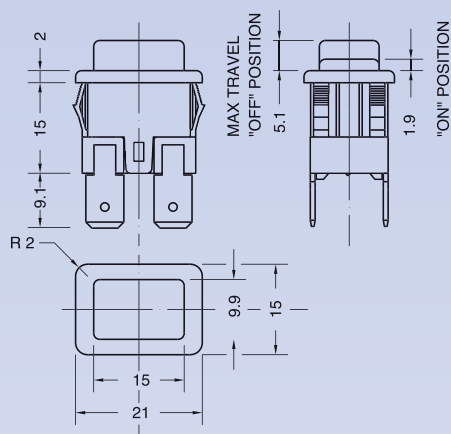


S X L 4 ?

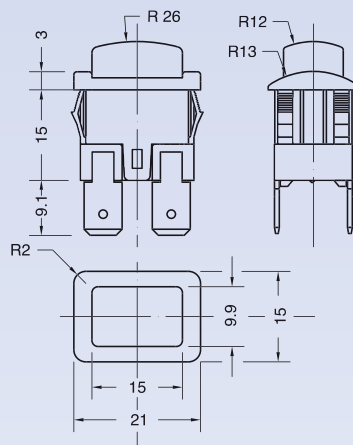
?

DRAWING

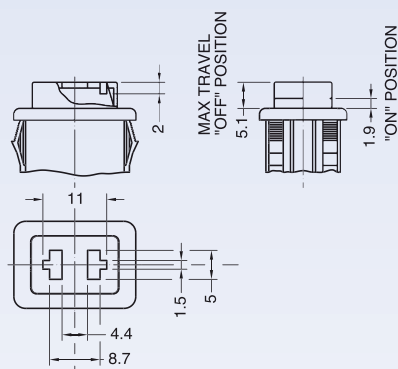
1 FLAT



2 BOWL



3 CUSTOMIZABLE



TERMINAL

1 Drawing 1 - 2 - 3 Vertical terminal 6.3x0.8



A Drawing 1 Horizontal terminal 6.3x0.8



2 Drawing 1 - 2 - 3 Vertical terminal 4.8x0.8

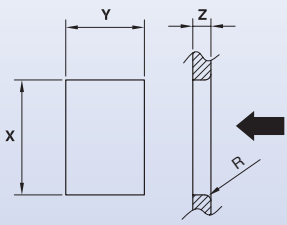


B Drawing 1 - 3 Horizontal terminal 4.8x0.8

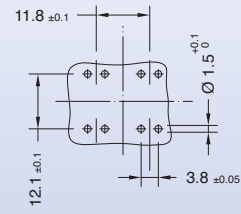
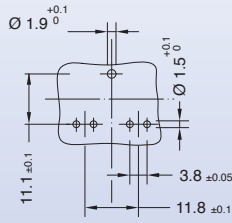


4 Drawing 1 - 2 Vertical PCB terminal





Z	Y	X
0,5-1,2	12,9 $\begin{smallmatrix} +0,1 \\ 0 \end{smallmatrix}$	19,0 $\begin{smallmatrix} +0,2 \\ 0 \end{smallmatrix}$
1,2-2,0	12,9 $\begin{smallmatrix} +0,1 \\ 0 \end{smallmatrix}$	19,3 $\begin{smallmatrix} +0,2 \\ 0 \end{smallmatrix}$
2,0-3,0	12,9 $\begin{smallmatrix} +0,1 \\ 0 \end{smallmatrix}$	19,6 $\begin{smallmatrix} +0,2 \\ 0 \end{smallmatrix}$



S	X	L	4	DRAWING	TERMINAL	FUNCTION	RATING	BODY COLOUR	BUTTON COLOUR	MARKING COLOUR	MARKING	0	0	0	W

?	?	?	?	?	?	0	0	0	W
---	---	---	---	---	---	---	---	---	---

FUNCTION RATING BODY COLOUR BUTTON COLOUR MARKING COLOUR MARKING

1

2

4

6 No drawing 3

7

8 No drawing 3

H

16 (4) A / 250 VAC
 10 (6) A / 250 VAC - 5E4
 T125/55 °C
 EN 61058

16 A - 125 / 250 VAC
 3/4 HP - 125 / 250 VAC
 T100 °C
 UL 1054

9

12 (8) A / 250 VAC - 5E4
 T85/55 °C
 EN 61058

1 black

2 white

X custom

Drawing 1 - 3

1 black

2 white

Drawing 1 - 2

M white

N black

R red

ILLUMINATED ✨

G red

H orange

E green

L white

F blue

X custom

0 none

1 black

2 white

X custom

0

1

R

X



SCA

TYPICAL APPLICATIONS	Ironing systems
FUNCTIONS	■ SPST momentary
CYCLE No.	50.000
CUT OUT	19x13 mm
AMBIENT TEMPERATURE	120 °C
GWT	850 °C
GWT NO FLAME (<2sec)	750 °C on demand



- 0
- 5
- 8
- 4

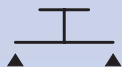
?

?

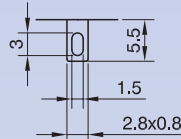
TERMINAL

RATING

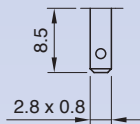
FUNCTION



0



4



2

2 (1) A / 250 VAC
1 (0.5) A / 250 VAC - 5E4
T120 °C
EN 61058

2 A - 125 / 250 VAC
T65 °C
UL 1054
CSA C22.2

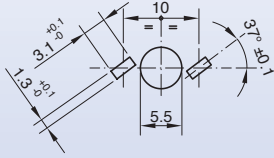
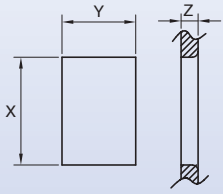
4

6 (4) A / 250 VAC
5 (2) A / 250V - 5E4
T120 °C
EN 61058

6

10 (4) A / 250 VAC
5 (2) A / 250V - 5E4
T120 °C
EN 61058

6 A - 125 / 250 VAC
1/6 HP - 250 VAC
1/8 HP - 125 VAC
T65 °C
UL 1054
CSA C22.2



Z	Y	X
0,70 ... 1,25	13,0 ±0,1	19,0 ±0,1
1,25 ... 2,0	13,0 ±0,1	19,3 ±0,2
2,0 ... 3,0	13,0 ±0,1	19,6 ±0,2

0	5	8	4	TERMINAL	RATING	DRAWING	BODY COLOUR	BUTTON COLOUR	MARKING COLOUR	MARKING	0	0
---	---	---	---	----------	--------	---------	-------------	---------------	----------------	---------	---	---

?	?	?	?	?	?	?	?	?	?	?	0	0
---	---	---	---	---	---	---	---	---	---	---	---	---

DRAWING

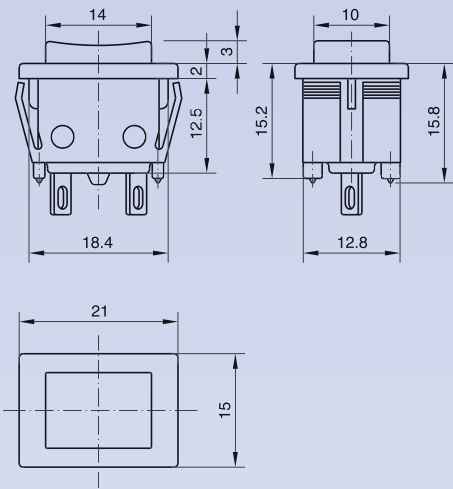
BODY COLOUR

BUTTON COLOUR

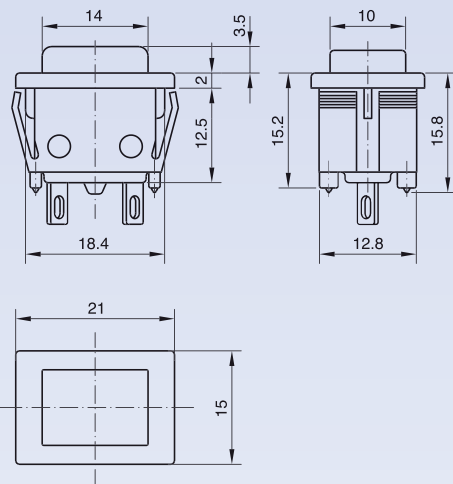
MARKING COLOUR

MARKING

A Mat



B Gloss



- 1** black
- 2** white
- X** custom

- 1** black
- 2** white
- X** custom

- 0** none
- 1** black
- 2** white
- X** custom

- 0**
- X**



P1

TYPICAL APPLICATIONS Cooking, small appliances, H VAC

FUNCTIONS

- SPST momentary, illuminated or not
- DPST momentary

CYCLE No. 50.000

CUT OUT ø 16 mm

AMBIENT TEMPERATURE 125 °C

GWT 850 °C

GWT NO FLAME (<2sec) 750 °C on demand



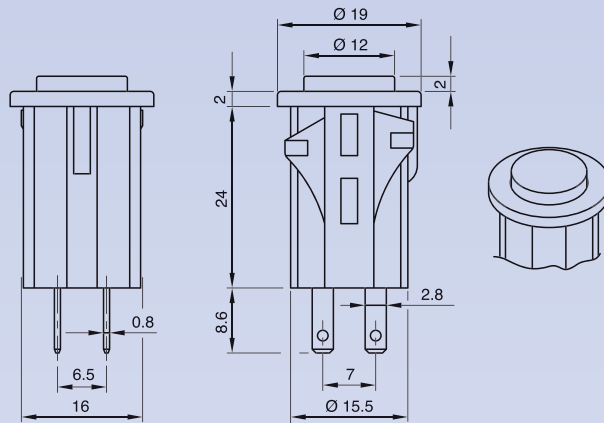
P

1

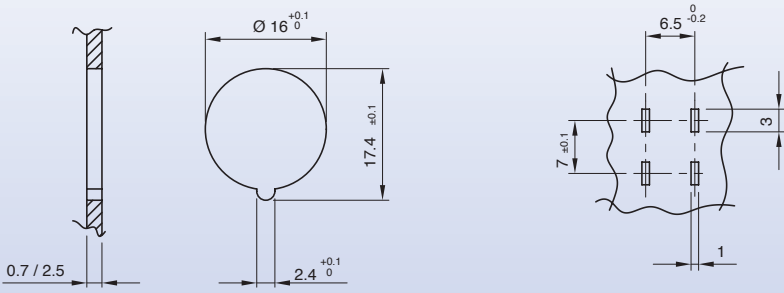
?

DRAWING

2



WATERPROOF CAP



P	1	DRAWING	FUNCTION	RATING	BODY COLOUR	BUTTON COLOUR	MARKING COLOUR	MARKING	0	0	0
---	---	---------	----------	--------	-------------	---------------	----------------	---------	---	---	---

?	?	?	?	?	?	?	?	0	0	0
---	---	---	---	---	---	---	---	---	---	---

FUNCTION RATING BODY COLOUR BUTTON COLOUR MARKING COLOUR MARKING

4

7

N

P

3

3 (1) A / 250 VAC
 0.5 A / 250 VAC - 5E4
 T125 °C
 EN 61058

On demand
 2A/125 VAC
 T65 °C
 UL 1054

1 black

2 white

X custom

1 black

2 white

5 grey

9 red

G red

X custom

ILLUMINATED ✨

0 none

1 black

2 white

X custom

0

7

8

X



SP60

TYPICAL APPLICATIONS Vacuum and steam cleaners

FUNCTIONS

- SPST, momentary or not
- SPST, illuminated or not
- DPST, illuminated or not

CYCLE No. 50.000

CUT OUT \varnothing 25 mm

AMBIENT TEMPERATURE 120 °C

GWT 850 °C

GWT NO FLAME (<2sec) 750 °C on demand



S P 6 0

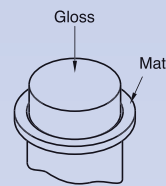
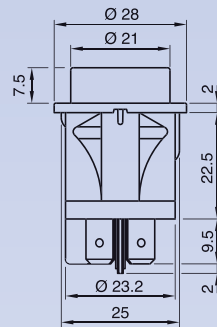
?

DRAWING

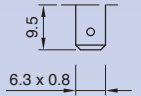
TERMINAL



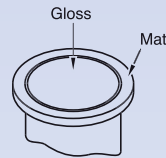
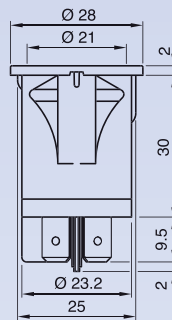
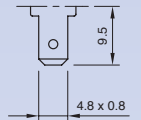
WATERPROOF CAP



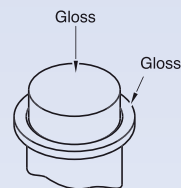
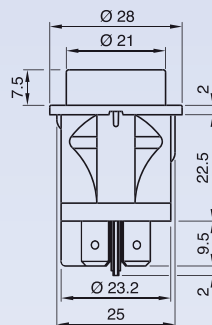
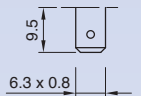
1



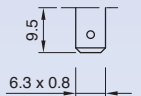
A



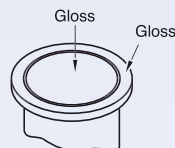
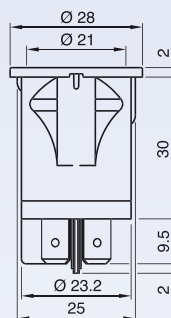
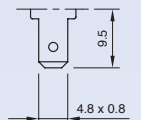
2



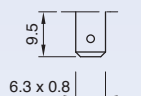
4

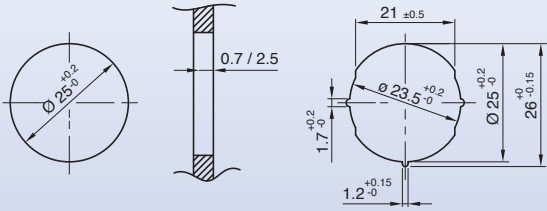


D



5





S	P	6	0	TERMINAL	FUNCTION	RATING	BODY COLOUR	BUTTON COLOUR	MARKING COLOUR	MARKING	0	0
---	---	---	---	----------	----------	--------	-------------	---------------	----------------	---------	---	---

?	?	?	?	?	?	?	0	0
FUNCTION	RATING	BODY COLOUR	BUTTON COLOUR	MARKING COLOUR	MARKING			
<p>1</p>	<p>7</p> <p>16 (6) A / 250 VAC 10 (4) 250 V - 5E4 10 (4) A / 400 VAC T120/55 °C EN 61058</p> <p>16 A - 125 / 250 VAC 1/4 HP / 125 VAC 1/2 HP / 250 VAC T95 °C UL 1054</p>	<p>1 </p> <p>black</p> <p>2 </p> <p>white</p> <p>X </p> <p>custom</p>	<p>M </p> <p>white</p> <p>N </p> <p>black</p> <p>R </p> <p>red</p> <p>ILLUMINATED ✨</p> <p>G </p> <p>red</p> <p>H </p> <p>orange</p> <p>E </p> <p>green</p> <p>L </p> <p>white</p> <p>X </p> <p>custom</p> <p>No lens</p> <p>0 </p>	<p>0 </p> <p>none</p> <p>1 </p> <p>black</p> <p>2 </p> <p>white</p> <p>X </p> <p>custom</p>	<p>0 </p> <p>7 </p> <p>D </p> <p>E </p> <p>K </p> <p>X </p>			
<p>2</p>								
<p>4</p>	<p>C</p> <p>16 (6) A / 250 VAC 10 (4) 250 V - 5E4 10 (4) A / 400 VAC T120/55 °C EN 61058</p>							
<p>6</p>								
<p>8</p>								

ACCESSORIES



SP60T1N0000



SP60T1M0000



SP60T1G0000



SP60T1E0000

Other colours available on demand.



SP63

TYPICAL APPLICATIONS Vacuum and steam cleaners

FUNCTIONS

- SPST, momentary or not
- SPST, illuminated or not
- DPST illuminated

CYCLE No. 50.000

CUT OUT 27x22 mm

AMBIENT TEMPERATURE 120 °C

GWT 850 °C

GWT NO FLAME (<2sec) 750 °C on demand

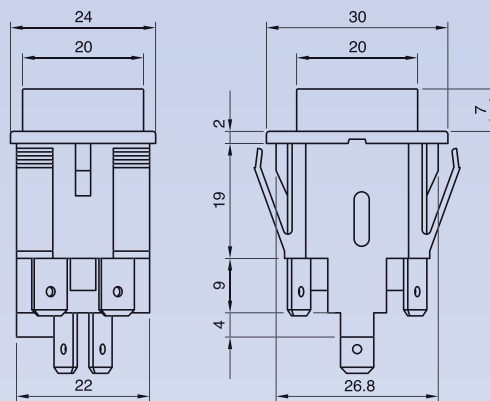


S P 6 3

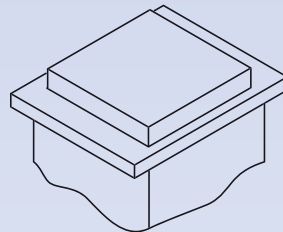
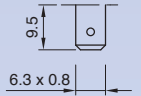
?

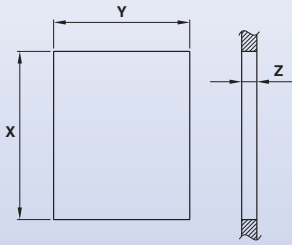
DRAWING

TERMINAL



1





Z	Y	X
0,7 ... 2,5	22,2 ^{+0,3} ₀	27,2 ^{+0,3} ₀

S	P	6	3	TERMINAL	FUNCTION	RATING	BODY COLOUR	BUTTON COLOUR	MARKING COLOUR	MARKING	0	0

?	?	?	?	?	?	?	0	0
---	---	---	---	---	---	---	---	---

FUNCTION

RATING

BODY COLOUR

BUTTON COLOUR

MARKING COLOUR

MARKING

4

6

8

N

C

16 (6) A / 250 VAC
 10 (4) A / 250 VAC - 5E4
 10 (4) A / 400V
 T120 °C
 EN 61058

1 black

X ? custom

M white

N black

R red

ILLUMINATED ✨

G red

H orange

E green

L white

X ? custom

No lens

0 white

0 none

1 black

2 white

X ? custom

0

4

7

X

ACCESSORIES



SP63T1E0000



SP63T1G0000



SP63T1H0000

Other colours available on demand.



SXL5

TYPICAL APPLICATIONS Vacuum cleaners, washing machines, dishwashers, hydrocleaners

FUNCTIONS ■ SPST, momentary or not
■ DPST, momentary or not

CYCLE No. 50.000

CUT OUT Rear panel

AMBIENT TEMPERATURE 125 °C

GWT 850 °C

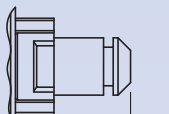
GWT NO FLAME (<2sec) 750 °C



S X L 5 ?

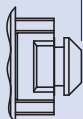
TRAVEL POSITION

OFF position



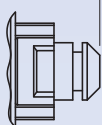
Max travel

5,1 ±0,2



ON position

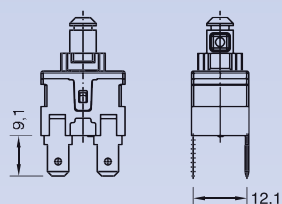
3,2⁰_{-0,2}



DRAWING

1

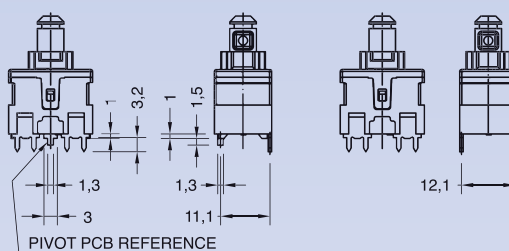
Vertical tab terminals



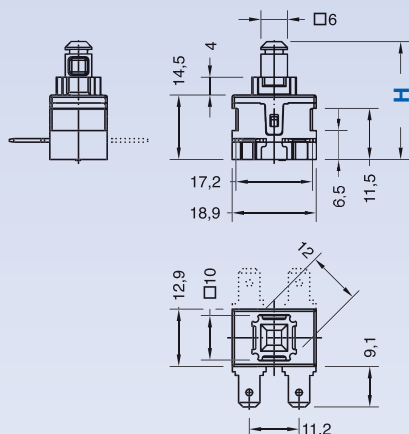
Vertical PCB terminals

Single pole version

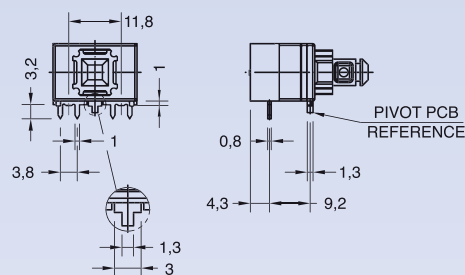
Double pole version



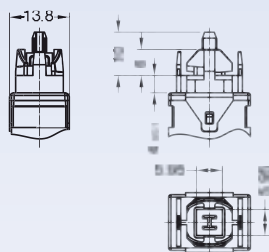
Horizontal tab terminals



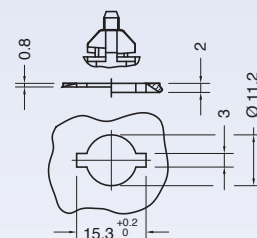
Horizontal PCB terminals



2



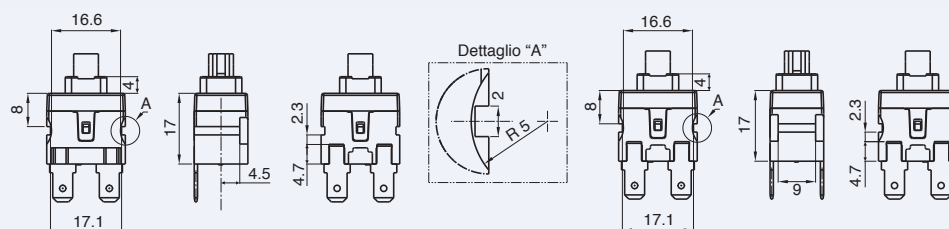
Wings fixing

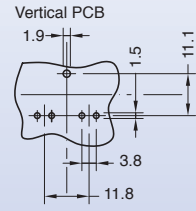
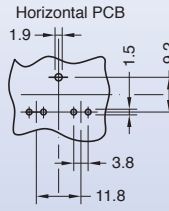
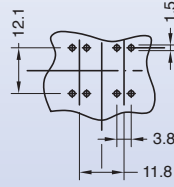
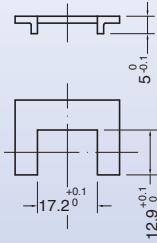
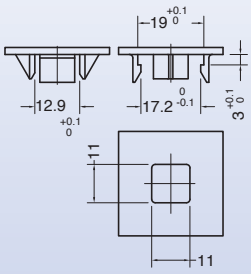


3

Single pole version

Double pole version





DRAWING TERMINAL SHAFT FUNCTION RATING

S	X	L	5					0	0	0	W
---	---	---	---	--	--	--	--	---	---	---	---

?

TERMINAL

1 Drawing 1 - 2 - 3
Vertical terminal
6.3x0.8



A Drawing 1 - 3
Horizontal terminal
6.3x0.8



2 Drawing 1 - 2 - 3
Vertical terminal
4.8x0.8



B Drawing 1 - 3
Horizontal terminal
4.8x0.8



4 Drawing 1 - 2
Vertical PCB terminal



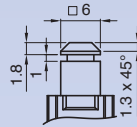
D Drawing 1
Horizontal PCB
terminal
only function 1 - 4



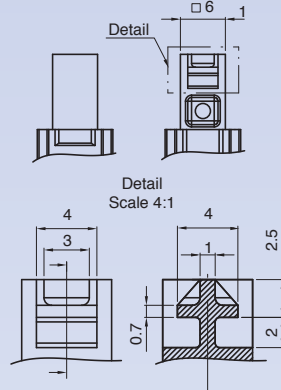
?

SHAFT

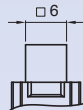
A H = 26.5



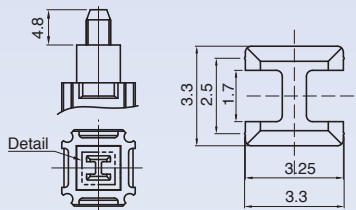
B H = 28.5



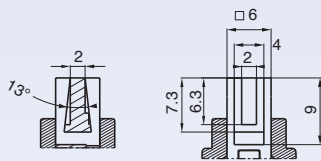
C H = 24



D H = 28.5



E H = 26.5



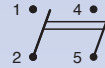
?

FUNCTION

1



2



4



7



?

RATING

H

12 (8) A / 250 VAC
16 (4) A / 250 VAC
10 (6) A / 250 - 5E4
T125/55 °C
EN 61058 / CQC

16 A - 125 / 250 VAC
3/4 HP - 125 / 250 VAC
T100 °C
UL 1054

9

12 (8) A / 250 VAC - 5E4
T85/55 °C
EN 61058

16 A - 125 / 250 VAC
3/4 HP - 125 / 250 VAC
T100 °C
UL 1054

0	0	0	W
---	---	---	---



LITE

TYPICAL APPLICATIONS Coffee machines

FUNCTIONS

- SPST, illuminated or not
- DPST illuminated

CYCLE No. 50.000

CUT OUT 19x13 mm rear panel

AMBIENT TEMPERATURE 125 °C

GWT 850 °C

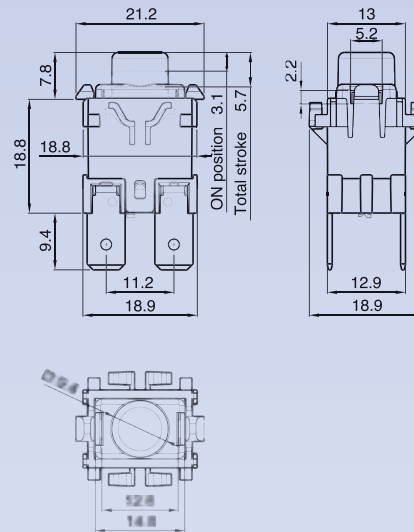
GWT NO FLAME (<2sec) 750 °C



L I T E ?

DRAWING

1



?

TERMINAL

1 Vertical terminal
6.3x0.8

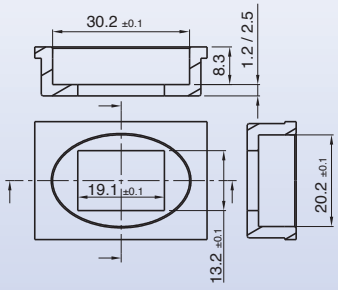


2 Vertical terminal
4.8x0.8



A Horizontal terminal
6.3x0.8

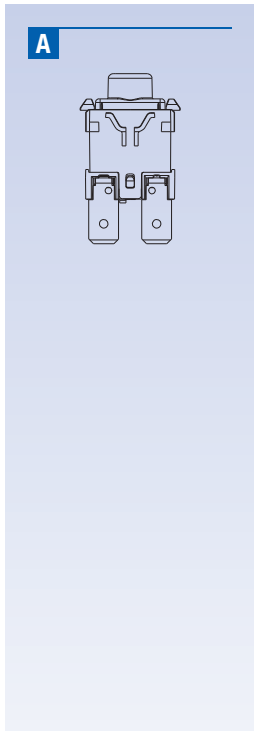




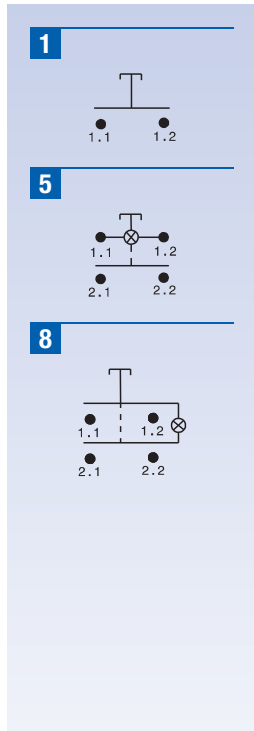
	DRAWING	TERMINAL	AESTHETIC	FUNCTION	RATING	LENS COLOUR	LAMP COLOUR			
L								0	0	0

?	?	?	?	?	0	0	0
---	---	---	---	---	---	---	---

AESTHETIC



FUNCTION



RATING

C

16 (6) A / 250 VAC
 12 (10) A / 250 VAC
 8 (8) A / 250 VAC - 5E4
 T125/55 °C
 EN 61058

16 A - 125 / 250 VAC
 1/2 HP - 125 VAC
 3/4 HP - 250 VAC
 T65 °C (T100 °C on demand)
 UL 1054

LENS COLOUR

L

colourless

LAMP COLOUR

0

no lamp

G

red

E

green

ACCESSORIES



LITET1N0000



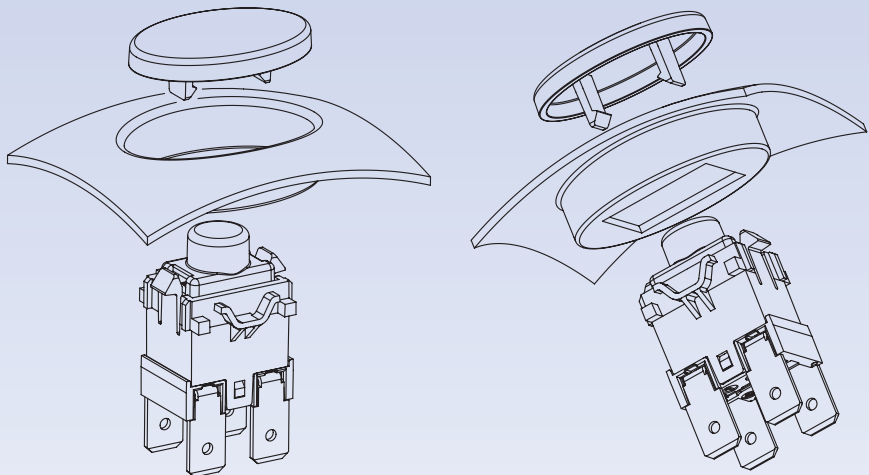
LITET1M0000



LITET1E0000



LITET1G0000





DY1

TYPICAL APPLICATIONS Cooking, washing, coffee machines

FUNCTIONS

- SPST, momentary or not
- SPDT, momentary or not

CYCLE No. 50.000

CUT OUT Rear panel

AMBIENT TEMPERATURE 125 °C

GWT 850 °C

GWT NO FLAME (<2sec) 750 °C

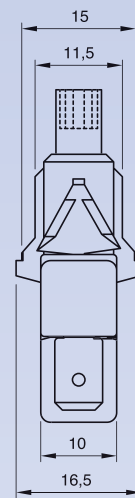
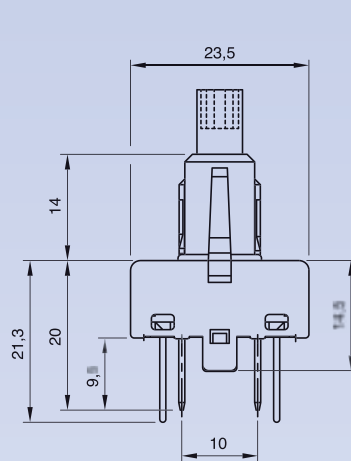


D Y 1

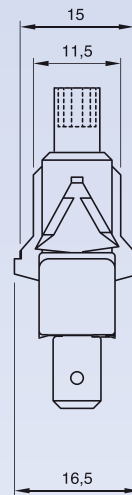
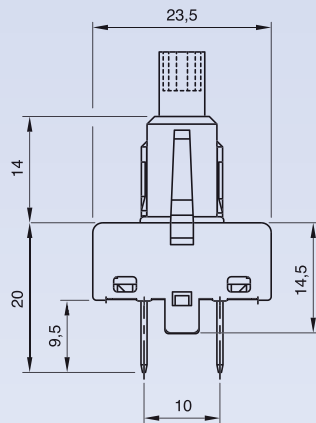
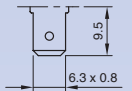
?

DRAWING

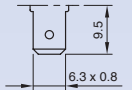
TERMINAL

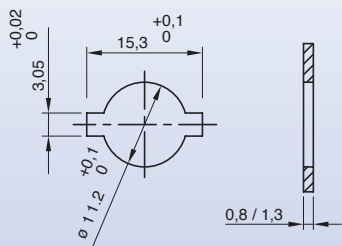


1



6



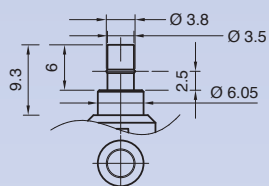


	TERMINAL	SHAFT	LATCHING FUNCTION	FUNCTION	RATING			
D	Y	1				0	0	0

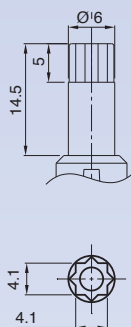
?

SHAFT

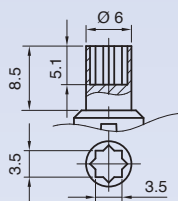
E



G



K



?

LATCHING FUNCTION

S

Push to On - Push to Off



M

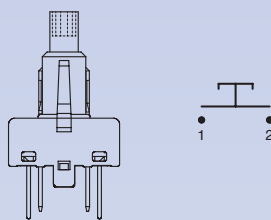
Momentary



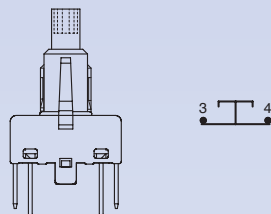
?

FUNCTION

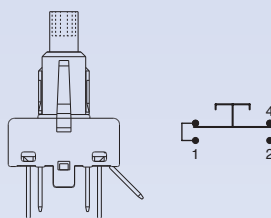
10



60



30



?

RATING

E

Function 10

16 (6) A / 250 VAC
 10 (4) A / 250 VAC - 5E4
 T125/55 °C
 6 (2) A / 250 VAC
 T150/55 °C
 EN 61058

13 A / 250 VAC
 3/4 HP - 250 VAC
 1/3 HP - 125 VAC
 T65 °C
 UL 1054

Function 60

16 (6) A / 250 VAC
 10 (4) A / 250 VAC - 5E4
 T125/55 °C
 EN 61058

13 A / 250 VAC
 3/4 HP - 250 VAC
 1/3 HP - 125 VAC
 T65 °C
 UL 1054

N

Function 30

12 (4) A / 250 VAC
 10 (4) A / 250 VAC - 5E4
 T125/55 °C
 μ disconnection
 EN 61058

13 A / 250 VAC
 3/4 HP - 250 VAC
 1/3 HP - 125 VAC
 T65 °C
 UL 1054



DY2

TYPICAL APPLICATIONS Cooking, washing, coffee machines

FUNCTIONS

- DPST, momentary or not
- SPST+SPDT, momentary or not

CYCLE No. 50.000

CUT OUT Rear panel

AMBIENT TEMPERATURE 125 °C

GWT 850 °C

GWT NO FLAME (<2sec) 750 °C



D

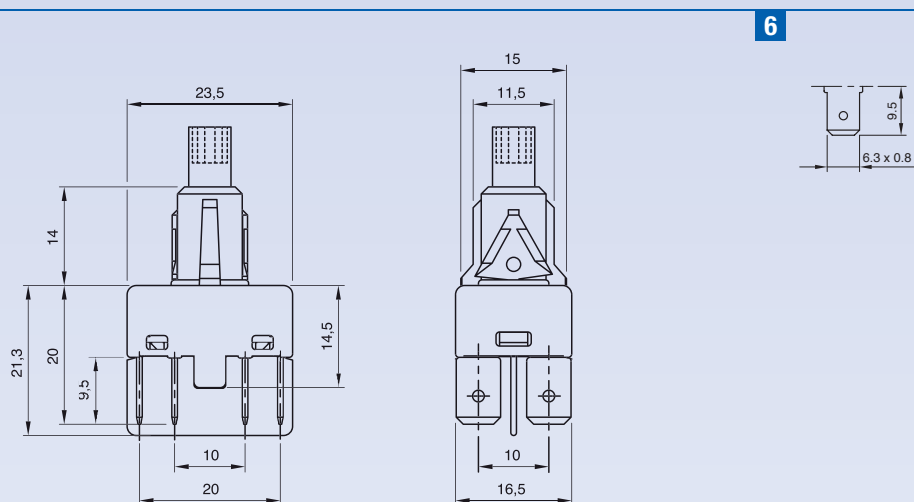
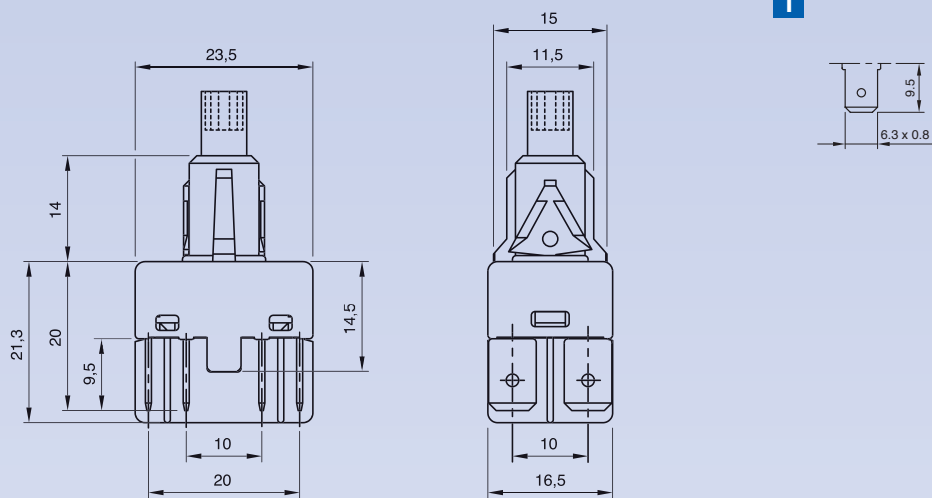
Y

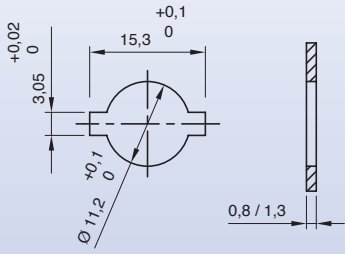
2

?

DRAWING

TERMINAL

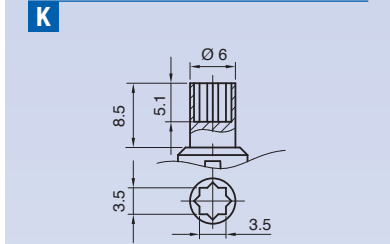
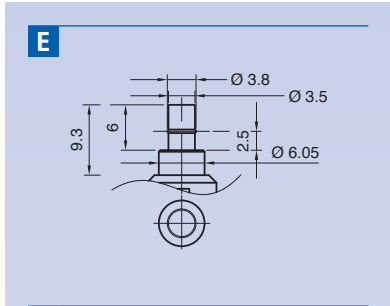




	TERMINAL	SHAFT	LATCHING FUNCTION	FUNCTION	RATING			
D	Y	2				0	0	0

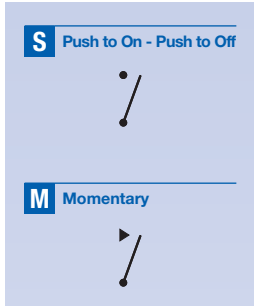
?

SHAFT



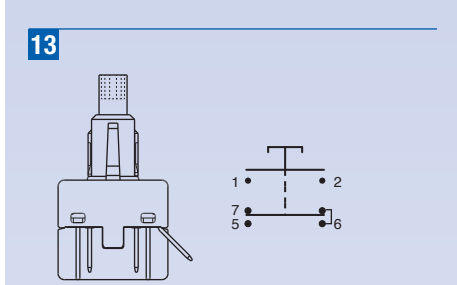
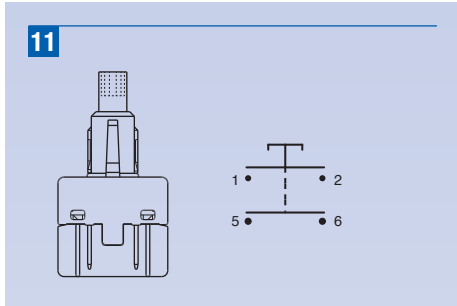
?

LATCHING FUNCTION



?

FUNCTION



?

RATING

E

Function 11

16 (6) A / 250 VAC
 10 (4) A / 250 VAC - 5E4
 T125/55 °C
 EN 61058

13 A / 250 VAC
 3/4 HP - 250 VAC
 1/3 HP - 125 VAC
 T65 °C
 UL 1054

0 0 0

P

Function 13

- Side switch (1-2)
 16 (6) A / 250 VAC
 10 (4) A / 250 VAC - 5E4
 T125/55 °C
 EN 61058

- Side changeover (5-6-7)
 12 (4) A / 250 VAC
 10 (4) A / 250 VAC - 5E4
 T125/55 °C
 µ disconnection
 EN 61058

13 A / 250 VAC
 T65 °C
 UL 1054



DYST

Accessories for DY series

TYPICAL APPLICATIONS Cooking, washing, coffee machines

CUT OUT See drawing

AMBIENT TEMPERATURE 125 °C

GWT 850 °C

D	Y	S	T	TYPE	BODY COLOUR	0	0	0	0
---	---	---	---	------	-------------	---	---	---	---

D	Y	S	T	?	?	0	0	0	0
---	---	---	---	---	---	---	---	---	---

CUT OUT

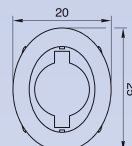
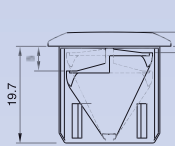
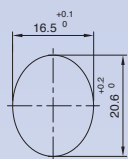
DRAWING

TYPE

BODY COLOUR



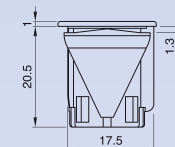
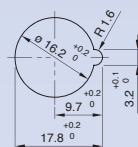
Oval body



5 Standard

7 Painted

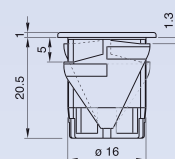
Round body with antirotation rib



1 Standard

9 Painted

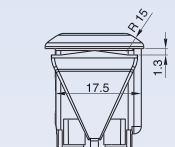
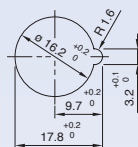
Round body



3 Standard

8 Painted

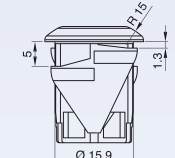
Soft Round body with antirotation rib



G Standard

S Painted

Soft Round body



L Standard

T Painted

Standard

1  black

2  white

Painted

1  chrome

X  ?
custom



DYT

Accessories for DY series

TYPICAL APPLICATIONS Cooking, washing, coffee machines

CUT OUT See drawing

AMBIENT TEMPERATURE 55 °C

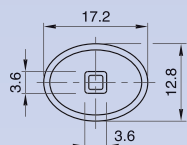
GWT 850 °C

D	Y	T	TYPE	BUTTON COLOUR	MARKING COLOUR	MARKING	0	0

D	Y	T	?	?	?	?	?	0	0
---	---	---	---	---	---	---	---	---	---

DRAWING **TYPE** **BUTTON COLOUR** **MARKING COLOUR** **MARKING**

Oval button



5K Standard

7K Painted

Standard

1 black

2 white

Painted

1 chrome

0 none

1 black

2 white

X ?
custom

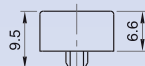
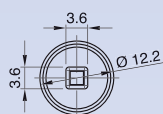
0



X



Round button

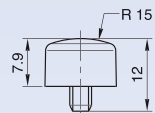
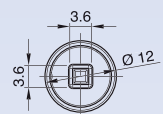


1K Standard

8K Painted

X ?
custom

Soft Round button



3K Standard

9K Painted



SPM

TYPICAL APPLICATIONS

Washing

FUNCTIONS

- SPST, momentary or not
- SPDT
- DPST, momentary or not
- DPDT

CYCLE No.

50.000

CUT OUT

Rear panel

AMBIENT TEMPERATURE

125 °C

GWT

850 °C

GWT NO FLAME (<2sec)

750 °C (Rating C)



S

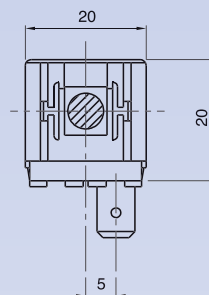
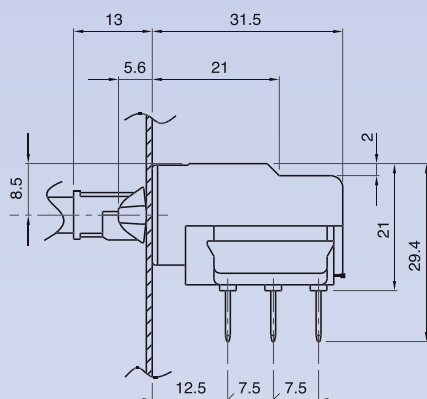
P

M

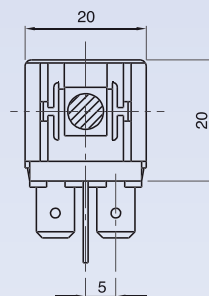
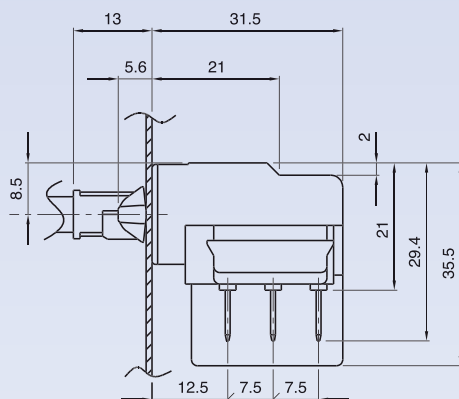
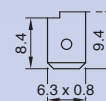
?

DRAWING

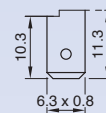
TERMINAL



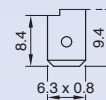
4

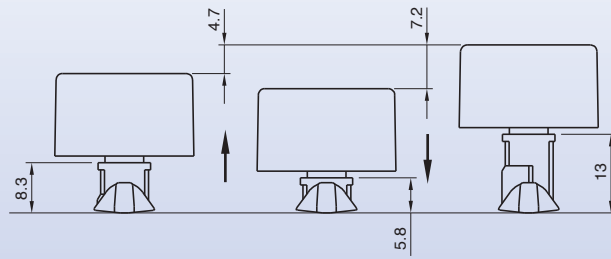
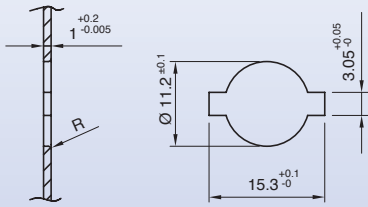


1



2



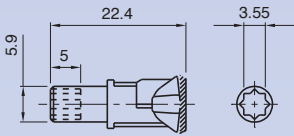


TERMINAL	SHAFT	FUNCTION	RATING
S	P	M	0 0 0

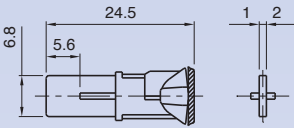
?

SHAFT

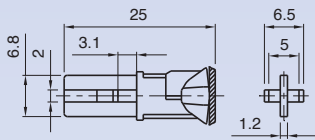
C



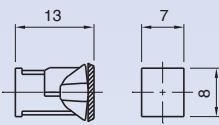
E



M



P



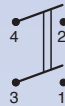
?

FUNCTION

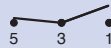
1



2



3



4



7



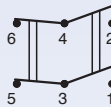
C



K



L



0

0

0

?

RATING

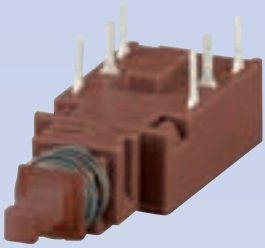
4

16 (8) A / 250 VAC
 10 (6) A / 250 VAC - 5E4
 10 A / 400 VAC
 T125 °C
 EN 61058

C

16 (8) A / 250 VAC
 10 A / 400 VAC
 10 (6) A / 250 VAC - 5E4
 T125 °C
 EN 61058

20 A / 125 VAC
 16 A / 250 VAC
 1/3 HP - 125 VAC
 3/4 HP - 250 VAC
 T65 °C
 UL 1054
 CSA C22.2



TOUCH

TYPICAL APPLICATIONS Cooker hoods, coffee machines, microwave ovens

FUNCTIONS

- SPST, momentary or not
- SPDT, momentary or not
- DPST, momentary or not
- DPDT, momentary or not

CYCLE No. 10.000

CUT OUT -

AMBIENT TEMPERATURE 110 °C

GWT 850 °C

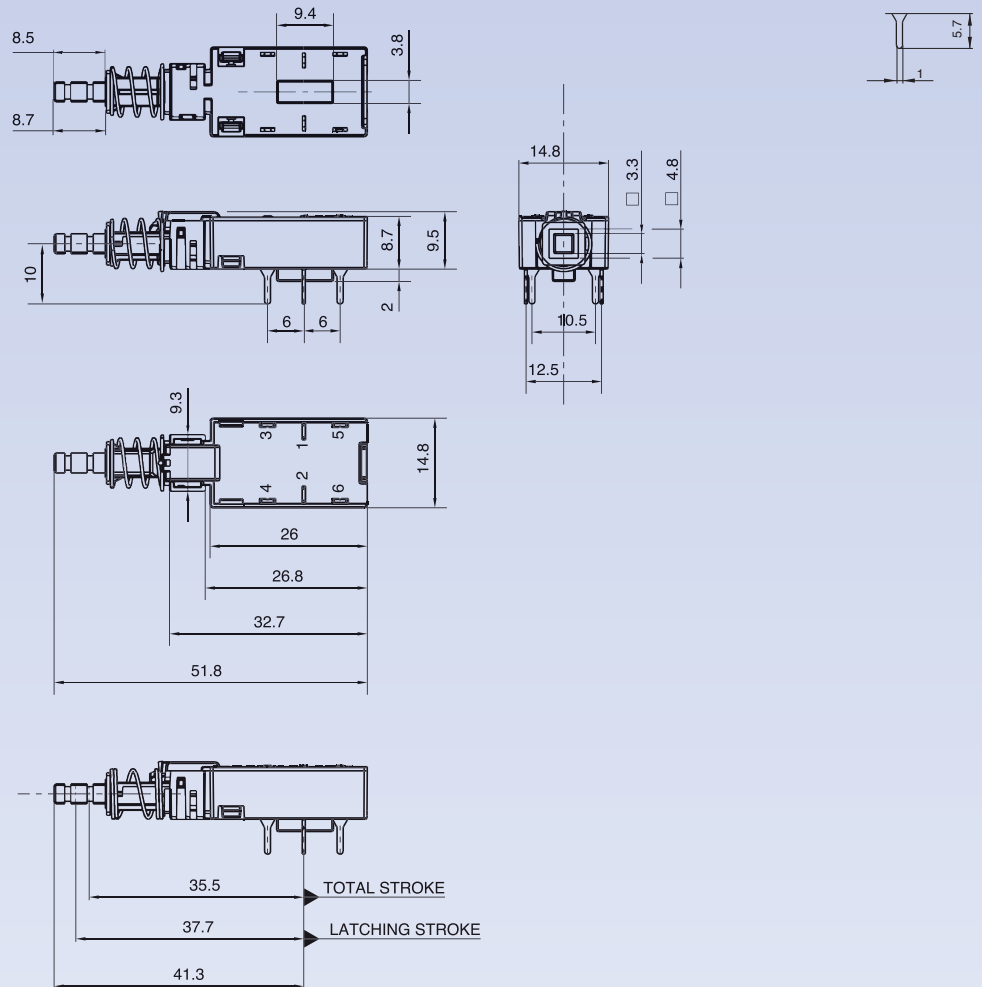
GWT NO FLAME (<2sec) 750 °C

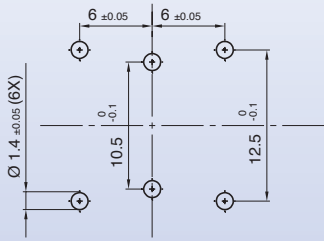


T O U C H

?

TERMINAL



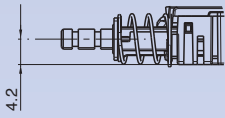


	TERMINAL	SHAFT	FUNCTION	RATING			
T					0	0	W

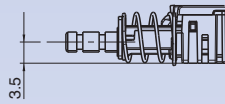
?

SHAFT

A



B



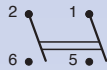
?

FUNCTION

1



2



3



4



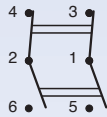
7



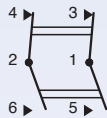
B



L



M



?

RATING

2

5 (2) A / 250 VAC
T85 °C
EN 61058

6 A / 125 VAC
T65 °C
UL 1054

3

8 (3) A / 250 VAC
T110 °C
EN 61058

6 A / 125 VAC
T65 °C
UL 1054

0

0

W

Waterproof Switches

01



SXL44

90



B4MASK

92



SXA4

94



RMASK

96



SXLR

98



SXL44



TYPICAL APPLICATIONS Steam cleaners

FUNCTIONS

- SPST, momentary or not
- SPST, illuminated or not
- DPST, momentary or not
- DPST, illuminated or not

PROTECTION DEGREE IP 65

CYCLE No. 50.000

CUT OUT 19x13 mm

AMBIENT TEMPERATURE 125 °C

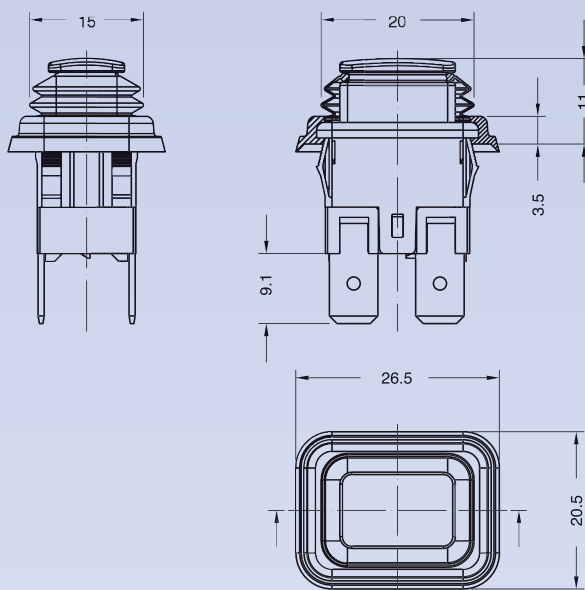
GWT 850 °C

GWT NO FLAME (<2sec) 750 °C

S X L 4 4

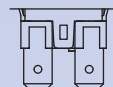
?

DRAWING

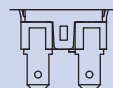


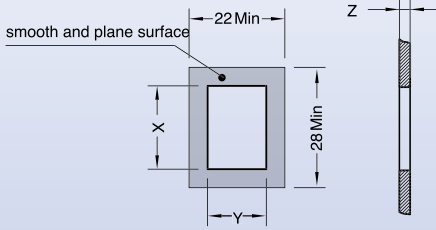
TERMINAL

1 Terminal 6.3x0.8



2 Terminal 4.8x0.8





Z	Y	X
0,5 ... 1,2	12,9 ^{+0,1} / ₀	19,0 ^{+0,2} / ₀
1,2 ... 2,0	12,9 ^{+0,1} / ₀	19,3 ^{+0,2} / ₀

S	X	L	4	4	TERMINAL	FUNCTION	RATING	RUBBER COLOUR	BUTTON COLOUR	MARKING COLOUR	MARKING	0	0	W

?	?	?	?	?	?	?	0	0	W
---	---	---	---	---	---	---	---	---	---

FUNCTION RATING RUBBER COLOUR BUTTON COLOUR MARKING COLOUR MARKING

1

2

4

6

7

8

R

H

16 (4) / 250 VAC
 10 (6) / 250 VAC - 5E4
 T125 / 55 °C
 EN 61058

16A - 3/4 HP
 125 / 250 VAC
 T 100 °C
 UL 1054

1 black

2 white

R red

M white

N black

ILLUMINATED ✨

G red

H orange

E green

L white

F blue

X ? custom

0 none

1 black

2 white

X ? custom

0

1

R

X



B4MASK



TYPICAL APPLICATIONS	Outdoor electrical equipments, pumps, high pressure cleaners
FUNCTIONS	<ul style="list-style-type: none"> ■ SPST ■ DPST, illuminated or not ■ DPCO
PROTECTION DEGREE	IP 65
CYCLE No.	50.000
CUT OUT	30x22 mm
AMBIENT TEMPERATURE	120 °C
GWT	850 °C
GWT NO FLAME (<2sec)	750 °C on demand

B 4 M A S K

?

DRAWING

TERMINAL



→ Available in Gloss or Mat

1 Gloss version

3 Mat version

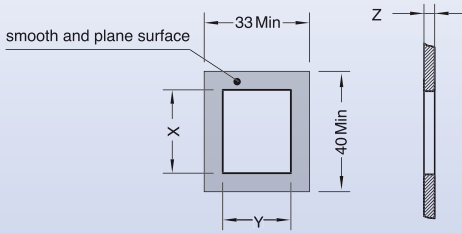
→ Available in Gloss or Mat

4 Gloss version

5 Mat version

L Gloss version

P Mat version



Z	Y	X
0,75 ... 1,25	22,0	$^{+0,2}_0$ 30,2 ±0,1
1,25 ... 2,0	22,0	$^{+0,2}_0$ 30,6 ±0,1
2,0 ... 3,0	22,0	$^{+0,2}_0$ 30,8 ±0,1

B	4	M	A	S	K	TERMINAL	FUNCTION	RATING	RUBBER COLOUR	ROCKER COLOUR	MARKING COLOUR	MARKING	0	0	0	

?	?	?	?	?	?	?	0	0	0
---	---	---	---	---	---	---	---	---	---

FUNCTION

RATING

RUBBER COLOUR

ROCKER COLOUR

MARKING COLOUR

MARKING

1

2

8

9 Terminal 1 - 3

C

Function 9

16 (6) A / 250 VAC
10 (4) A / 250 VAC - 5E4
T120/55 °C
EN 61058

20 A / 125 VAC
 16 A / 250 VAC
 1/3 HP - 125 VAC
 3/4 HP - 250 VAC
 T105 °C
 UL 1054
 CSA C22.2

E

Function 1

16 (8) A / 250 VAC
12 (10) A / 250 VAC - 5E4
T120 / 55 °C
EN 61058

20 A / 125 VAC
 16 A / 250 VAC
 1/3 HP - 125 VAC
 3/4 HP - 250 VAC
 T105 °C
 UL 1054
 CSA C22.2

N

Function 2 - 8

16 (8) A / 250 VAC
12 (10) A / 250 VAC - 5E4
T120/55 °C
EN 61058

20 A / 125 VAC
 16 A / 250 VAC
 3/4 HP - 125 / 250 VAC
 T105 °C
 UL 1054
 CSA C22.2

S

Function 2 - 8

20 (10) A / 250 VAC
14 (14) A / 250 VAC - 5E4
T120/55 °C
EN 61058

25 A / 125 VAC
 16 A / 250 VAC
 3/4 HP - 125 / 250 VAC
 T105 °C
 UL 1054
 CSA C22.2

1 black

1 black

2 white

3 orange

ILLUMINATED ✨

G red

E green

L white

F blue

BRIGHT ✨

A orange

V green

X custom

0 none

1 black

2 white

X custom

0

1

A

9

X



SXA4

TYPICAL APPLICATIONS	High pressure cleaners, ironing steam generators, industrial machines, cutters
FUNCTIONS	■ DPST, illuminated or not
PROTECTION DEGREE	IP 54, IP 55 for version with silicone
CYCLE No.	10.000
CUT OUT	30x22 mm
AMBIENT TEMPERATURE	125 °C
GWT	850 °C
GWT NO FLAME (<2sec)	750 °C on demand



S X A 4

?

?

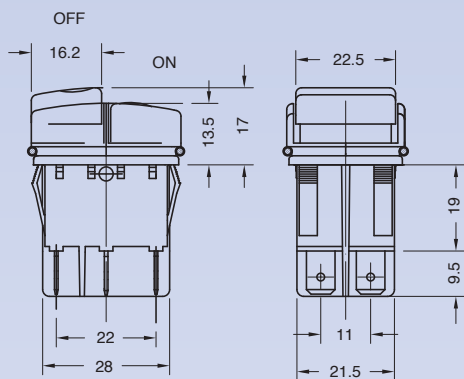
DRAWING

TERMINAL

FUNCTION

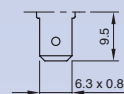


O-RING

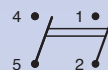


1 Standard

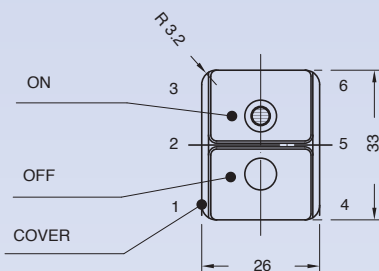
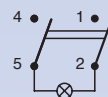
4 With silicone



2



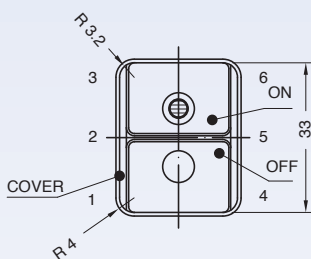
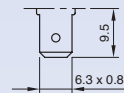
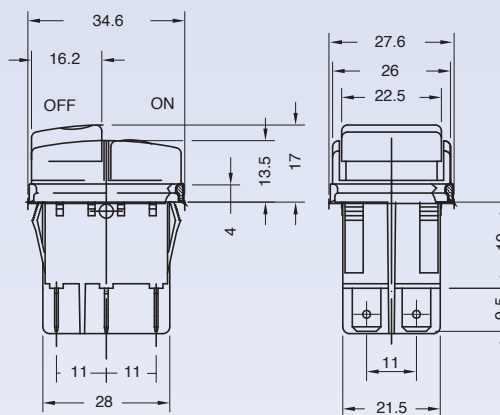
8

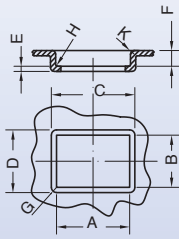
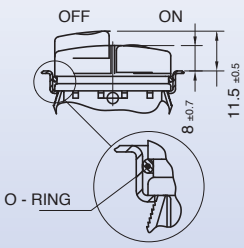


GASKET

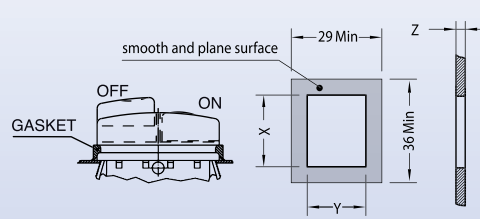
3 Standard

5 With silicone





POS.	DIM.	TOL.
K	1.2	±0.1
H	R.0.6	+0.2
G	R.3.5	-0.1
F	5.5	+0.2
E	0.7/3.5	
D	26.6	±0.1
C	33.6	±0.1
B	22	+0.1
A	30	+0.2



POS.	DIM.	TOL.
Z	0.7/3.5	
Y	22	+0.1
X	30	+0.2

TERMINAL	FUNCTION	RATING	FRAME COLOUR	BUTTON COLOUR ON	BUTTON COLOUR OFF	MARKING COLOUR	MARKING ON	MARKING OFF	LENS COLOUR		
S	X	A	4							0	0

RATING	FRAME COLOUR	BUTTON COLOUR	MARKING COLOUR	MARKING	LENS COLOUR
?	?	ON ? OFF ?	?	ON ? OFF ?	?

RATING

8

Function 2
 16 (8) A / 250 VAC
 10 (6) A / 250 VAC - 5E4
 10 (4) A / 400 VAC
 T125/55 °C
 EN 61058

16 A - 125 / 250 VAC
 3/4 HP - 125 / 250 VAC
 T105 °C
 UL 1054

Function 8
 16 (8) A / 250 VAC
 10 (6) A / 250 VAC - 5E4
 T125/55 °C
 EN 61058

16 A - 125 / 250 VAC
 3/4 HP - 125 / 250 VAC
 T105 °C
 UL 1054

9

Function 2 - 8
 12 (10) A / 250 VAC - 5E4
 T85 °C
 UL 1054

FRAME COLOUR

1 black

X **?** custom

BUTTON COLOUR

1 black

X **?** custom

MARKING COLOUR

0 none

2 white

X **?** custom

MARKING

Marking ON

0

2

3

5

X

Marking OFF

0

1

4

X

LENS COLOUR

0 none

ILLUMINATED

G red

L white

X **?** custom



RMASK

TYPICAL APPLICATIONS Steam cleaners, ironing generators

FUNCTIONS

- SPST, illuminated
- DPST, illuminated or not

CYCLE No. 50.000

CUT OUT \varnothing 20 mm

AMBIENT TEMPERATURE 125 °C

GWT 850 °C

GWT NO FLAME (<2sec) 750 °C



R

M

A

S

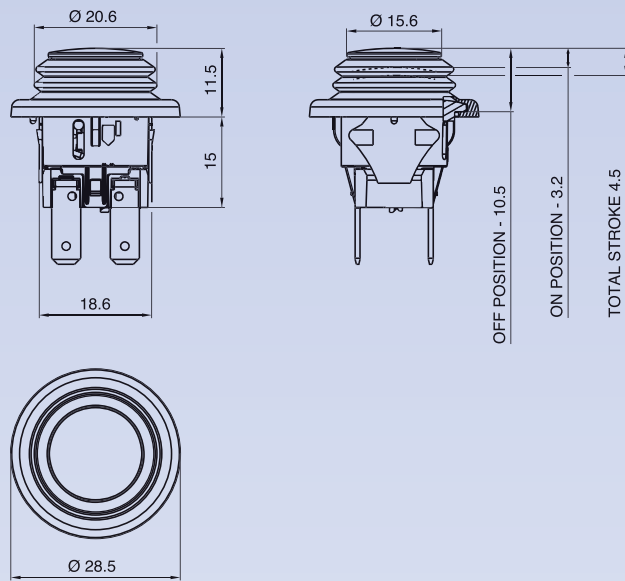
K

?

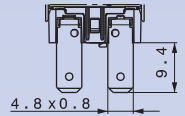
?

DRAWING

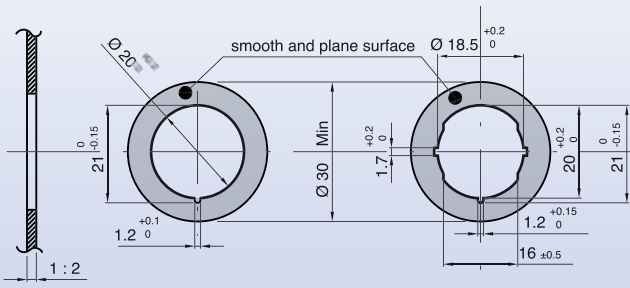
1



2



TERMINAL

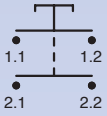


R	M	A	S	K	DRAWING	TERMINAL	FUNCTION	RATING	RUBBER COLOUR	BUTTON COLOUR	0	0	0	0	0
---	---	---	---	---	---------	----------	----------	--------	---------------	---------------	---	---	---	---	---

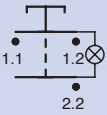
?

FUNCTION

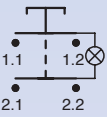
2



6



8



?

RATING

C

16 (6) A / 250 VAC
 12 (10) A / 250 VAC
 8 (8) A / 250 VAC - 5E4
 T125 / 55 °C
 EN 61058

16 A / 125 VAC
 16 A / 250 VAC
 1 / 2 HP - 125 VAC
 3 / 4 HP - 250 VAC
 T65 °C (T100 °C on demand)
 UL 1054

?

RUBBER COLOUR

1

black

?

BUTTON COLOUR

N

black

M

white

ILLUMINATED ✨

E

green

F

blue

G

red

H

orange

X

custom

?

0 0 0 0 0



SXLR



TYPICAL APPLICATIONS Steam cleaners

FUNCTIONS

- SPST, illuminated
- DPST, illuminated or not

CYCLE No. 50.000

CUT OUT ø 25 mm

AMBIENT TEMPERATURE 125 °C

GWT 850 °C

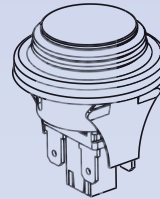
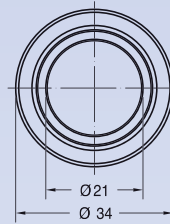
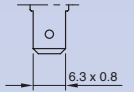
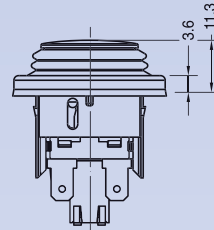
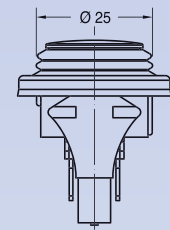
GWT NO FLAME (<2sec) 750 °C on demand

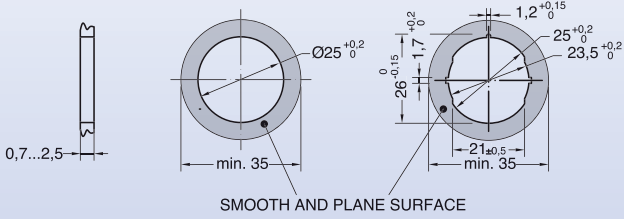
S X L R

?

DRAWING

TERMINAL





S	X	L	R	TERMINAL	FUNCTION	RATING	RUBBER COLOUR	BUTTON COLOUR	MARKING COLOUR	MARKING	0	0	0

?	?	?	?	?	?	?	0	0	0
---	---	---	---	---	---	---	---	---	---

FUNCTION

2

6

8

RATING

C

16 (4) A / 250 VAC
 10 (2) A / 250 VAC - 5E4
 T125 °C
 EN 61058

12 A / 125 VAC
 12 A / 250 VAC
 1/4 HP - 125 VAC
 1/2 HP - 250 VAC
 T100 °C
 UL 1054
 IP65

RUBBER COLOUR

1 black

2 white

X custom

BUTTON COLOUR

R red

M white

N black

ILLUMINATED ✨

G red

H orange

E green

L white

F blue

X custom

MARKING COLOUR

0 none

1 black

2 white

X custom

MARKING

0

D

P

R

X

Hairdryer Switches

01



CO

102



CN

106



CP

110



CB

112



CS

114



DC

116



PCB

118



CO

TYPICAL APPLICATIONS Hairdryers

FUNCTIONS ■ SPDT (3 positions 0/1/1+2)

CYCLE No. 50.000

CUT OUT See drawing

AMBIENT TEMPERATURE 85 °C

GWT 850 °C

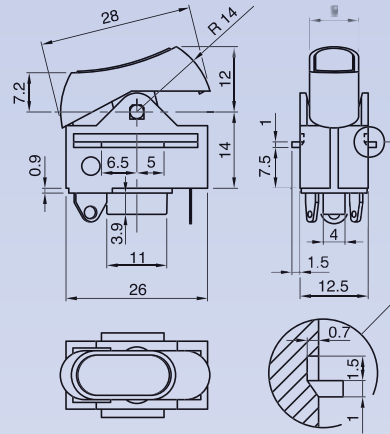


C O

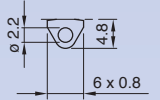
DRAWING

?

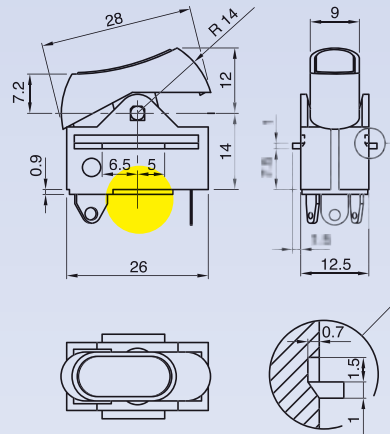
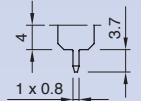
TERMINAL



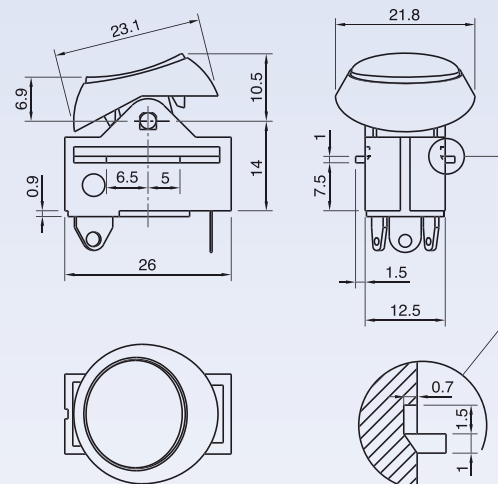
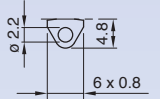
K



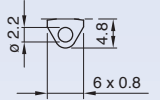
L

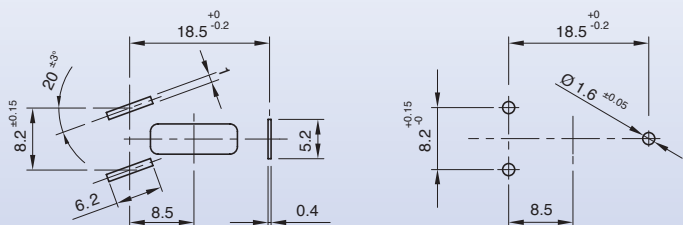


M



S





TERMINAL	FUNCTION	RATING	BODY COLOUR	ROCKER COLOUR	MARKING	MARKING COLOUR
C	0					
					0	0

?	?	?	?	?	?	0	0
FUNCTION	RATING	BODY COLOUR	ROCKER COLOUR	MARKING	MARKING COLOUR		

1

2

16 A / 250 VAC
 10 A / 250 VAC - 5E4
 T85 °C
 µ disconnection
 EN 61058

3

16 A / 250 VAC
 10 A / 250V - 5E4
 T85 °C
 µ disconnection
 EN 61058

13 A / 125 VAC
 6.5 A / 250 VAC
 T65 °C
 UL 1054

1

brown

1

black

2

white

5

grey

9

red

X **?**

custom

Terminal S

1

black

X **?**

custom

0

A

B

C

D

E

F

X

Terminal S

0

X

0

none

1

black

2

white

5

grey

7

light blue

8

red

X **?**

custom



CO

TYPICAL APPLICATIONS Hairdryers

FUNCTIONS ■ SPDT (3 positions 0/1/1+2)

CYCLE No. 50.000

CUT OUT See drawing

AMBIENT TEMPERATURE 85 °C

GWT 850 °C

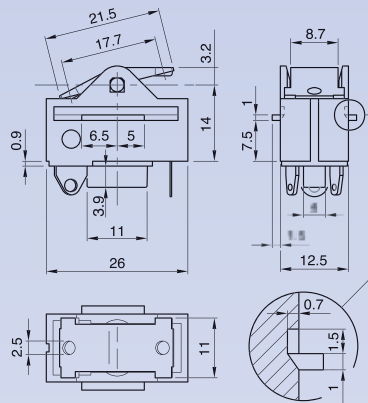


C O

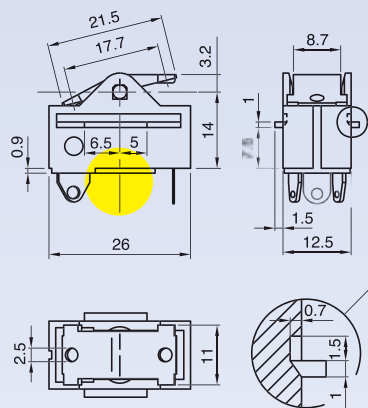
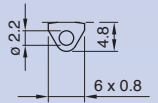
DRAWING

?

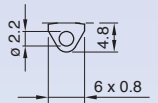
TERMINAL

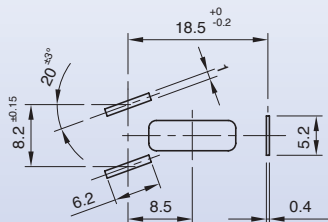


E



G





TERMINAL	FUNCTION	RATING	BODY COLOUR	ROCKER COLOUR
C	0			
0				
0				
0				

?	?	?	?	0	0	0	0
---	---	---	---	---	---	---	---

FUNCTION **RATING** **BODY COLOUR** **ROCKER COLOUR**

1

2

16 A / 250 VAC
 10 A / 250 VAC - 5E4
 T85 °C
 µ disconnection
 EN 61058

3

16 A / 250 VAC
 10 A / 250V - 5E4
 T85 °C
 µ disconnection
 EN 61058

13 A / 125 VAC
 6.5 A / 250 VAC
 T65 °C
 UL 1054

1 ■

brown

1 ■

brown



CN

TYPICAL APPLICATIONS Hairdryers

FUNCTIONS ■ SPDT (3 positions 0/1/1+2)

CYCLE No. 50.000

CUT OUT See drawing

AMBIENT TEMPERATURE 85 °C

GWT 850 °C

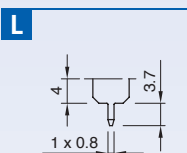
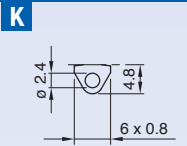
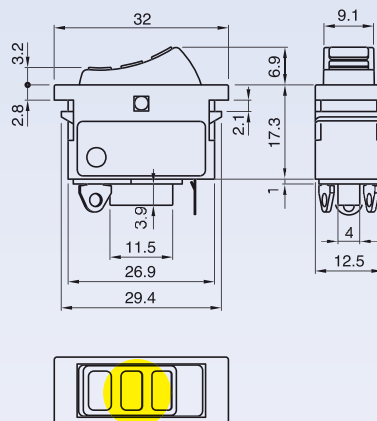
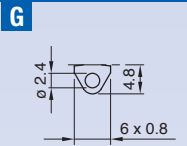
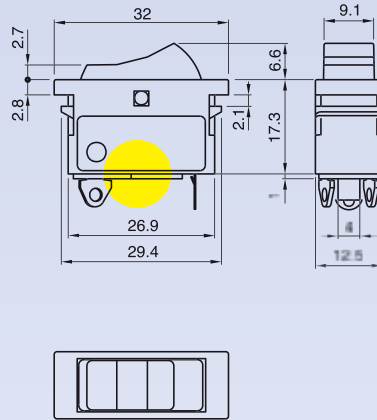
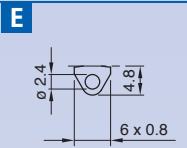
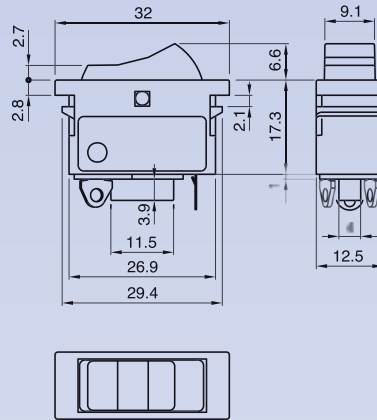


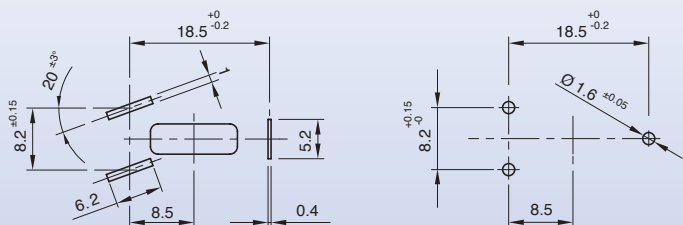
C N

?

DRAWING

TERMINAL





TERMINAL	FUNCTION	RATING	BODY COLOUR	ROCKER COLOUR	MARKING	MARKING COLOUR
C	N					
					0	0

?	?	?	?	?	?	0	0
---	---	---	---	---	---	---	---

FUNCTION **RATING** **BODY COLOUR** **ROCKER COLOUR** **MARKING** **MARKING COLOUR**

1

2

16 A / 250 VAC
10 A / 250V - 5E4
T85 °C
µ disconnection
EN 61058

3

16 A / 250 VAC
10 A / 250V - 5E4
T85 °C
µ disconnection
EN 61058

13 A / 125 VAC
6.5 A / 250 VAC
T65 °C
UL 1054

1 black

X custom

1 black

2 white

9 red

X custom

0 None

Terminal E - G

A

C

Terminal K - L

A

X custom

0 none

1 black

2 white

5 grey

7 light blue

8 red

X custom



CN

TYPICAL APPLICATIONS Hairdryers

FUNCTIONS ■ SPDT (3 positions 0/1/1+2)

CYCLE No. 50.000

CUT OUT See drawing

AMBIENT TEMPERATURE 85 °C

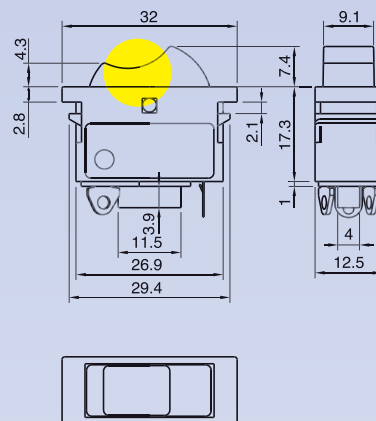
GWT 850 °C



C

N

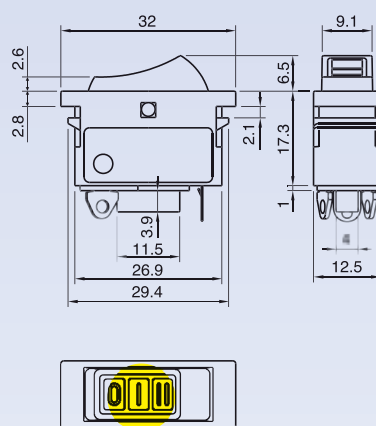
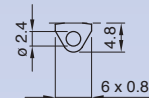
DRAWING



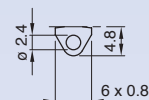
?

TERMINAL

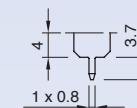
P

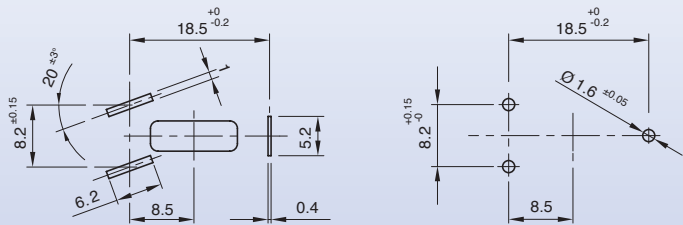


A



B

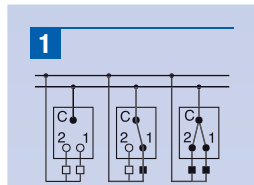




TERMINAL	FUNCTION	RATING	BODY COLOUR	ROCKER COLOUR	MARKING	MARKING COLOUR
C	N					
					0	0

?	?	?	?	?	?	0	0
---	---	---	---	---	---	---	---

FUNCTION **RATING** **BODY COLOUR** **ROCKER COLOUR** **MARKING** **MARKING COLOUR**



2
 16 A / 250 VAC
 10 A / 250V - 5E4
 T85 °C
 µ disconnection
 EN 61058

3
 16 A / 250 VAC
 10 A / 250V - 5E4
 T85 °C
 µ disconnection
 EN 61058

13 A / 125 VAC
 6.5 A / 250 VAC
 T65 °C
 UL 1054

1 black
X custom

1 black
2 white
9 red
X custom

Terminal P

0

C

D

X

Terminal A - B

0

0 none
1 black
2 white
5 grey
7 light blue
8 red
X custom

Terminal A - B

0 none



CP

TYPICAL APPLICATIONS Hairdryers

FUNCTIONS ■ SPDT (3 positions 0/1/1+2)

CYCLE No. 50.000

CUT OUT See drawing

AMBIENT TEMPERATURE 85 °C

GWT 850 °C

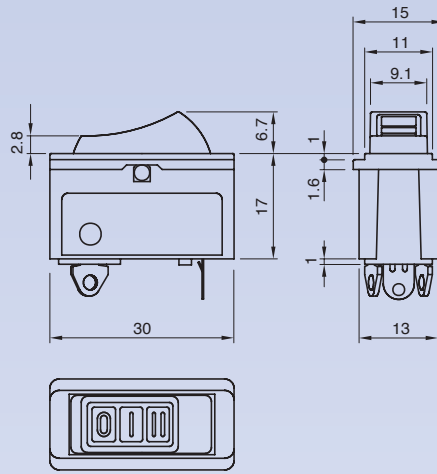


C

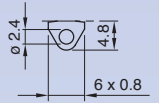
P

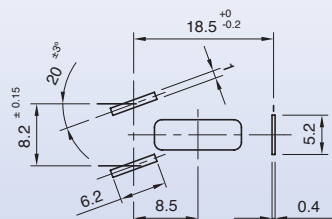
?

TERMINAL



C

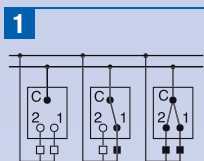




	TERMINAL	FUNCTION	RATING	BODY COLOUR	ROCKER COLOUR				
C	P					0	0	0	0

?	?	?	?	0	0	0	0
---	---	---	---	---	---	---	---

FUNCTION



RATING

2

16 A / 250 VAC
10 A / 250V - 5E4
T85 °C
μ disconnection
EN 61058

3

16 A / 250 VAC
10 A / 250 VAC - 5E4
T85 °C
μ disconnection
EN 61058

13 A / 125 VAC
6.5 A / 250 VAC
T65 °C
UL 1054

BODY COLOUR

1 
black

2 
white

X 
custom

ROCKER COLOUR

1 
black

2 
white

9 
red

X 
custom



CB

TYPICAL APPLICATIONS	Hairdryers
FUNCTIONS	■ 2x SPST (3 positions 0-0/0-1/1-1)
CYCLE No.	50.000
CUT OUT	See drawing
AMBIENT TEMPERATURE	85 °C
GWT	850 °C



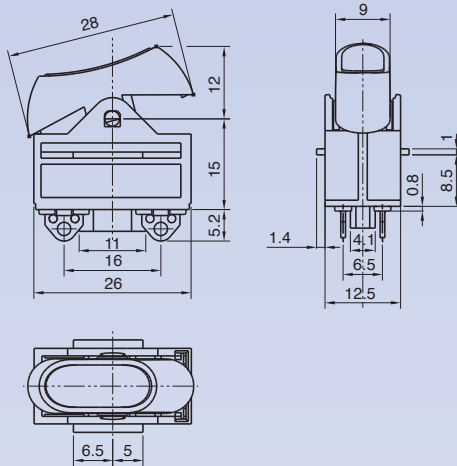
C

B

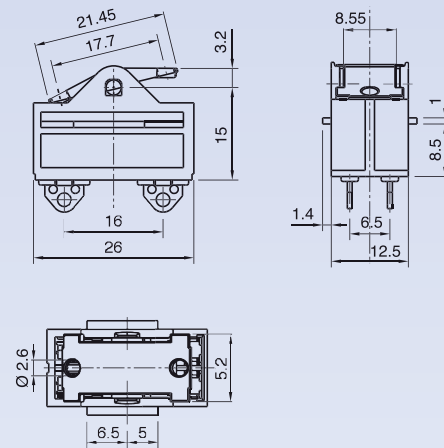
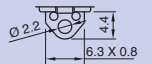
DRAWING

?

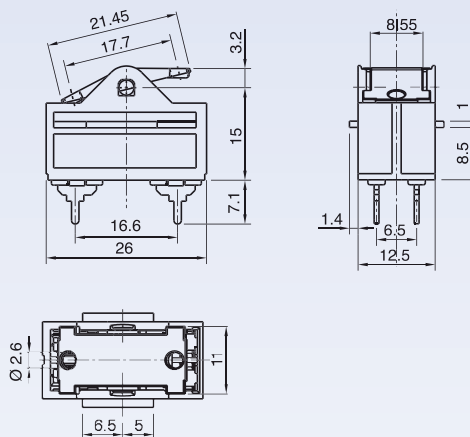
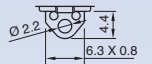
TERMINAL



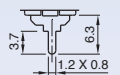
K

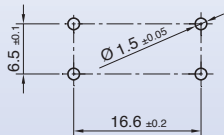
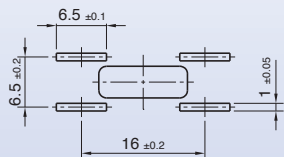


G



H





C	B	TERMINAL	FUNCTION	RATING	BODY COLOUR	ROCKER COLOUR	MARKING	MARKING COLOUR	0	0	0	0

?	?	?	?	?	?	?	0	0	0
FUNCTION	RATING	BODY COLOUR	ROCKER COLOUR	MARKING	MARKING COLOUR				

1

2

10 A / 250 VAC - 5E4
T85 °C
μ disconnection
EN 61058

16 A / 125 VAC
T105 °C
UL 1054

1 ■
brown

Terminal K

0
none

1
black

5
grey

9
red

X
custom

Terminal G - H

1
brown

Terminal K

0

A

D

E

X

Terminal G - H

0 None

Terminal K

0
none

1
black

2
white

7
light blue

8
red

X
custom

Terminal G - H

0 None



CS

TYPICAL APPLICATIONS Hairdryers

FUNCTIONS ■ 2x SPST (3 positions 0-0/0-1/1-1)

CYCLE No. 50.000

CUT OUT See drawing

AMBIENT TEMPERATURE 85 °C

GWT 850 °C



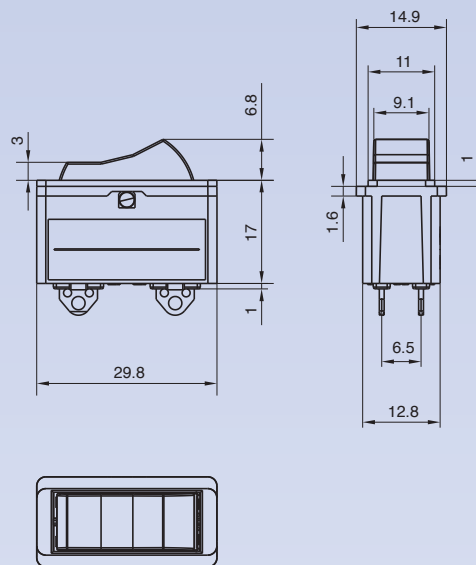
C

S

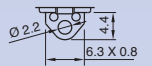
?

DRAWING

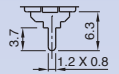
TERMINAL

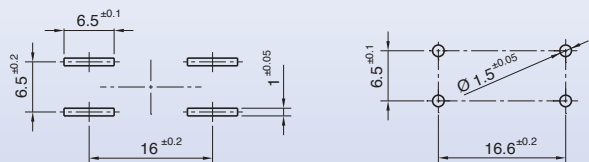


G



H





	TERMINAL	FUNCTION	RATING	BODY COLOUR	BUTTON COLOUR	MARKING	MARKING COLOUR		
C	S							0	0

?	?	?	?	?	?	?	0	0
FUNCTION	RATING	BODY COLOUR	ROCKER COLOUR	MARKING	MARKING COLOUR			

1

2

16 A / 250 VAC
 10 A / 250 VAC - 5E4
 T85/55 °C
 µ disconnection
 EN 61058

16 A / 125 VAC
 T65 °C
 UL 1054

1
 black

1
 black

0

A

C

X

0
 none

2
 white

X **?**
 custom



DC

TYPICAL APPLICATIONS Hairdryers

FUNCTIONS ■ SPST, momentary or not

CYCLE No. 50.000

CUT OUT -

AMBIENT TEMPERATURE 125 °C

GWT 850 °C

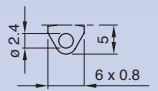
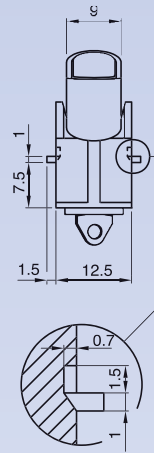
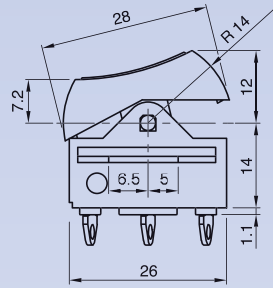


D

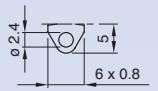
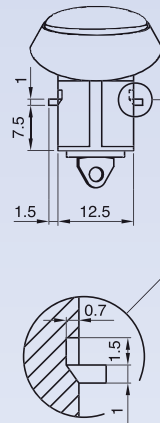
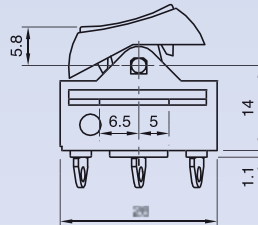
C

?

TERMINAL



S



U

	TERMINAL	FUNCTION	RATING	BODY COLOUR	ROCKER COLOUR	MARKING COLOUR	MARKING				
D	C							0	0	0	0

?	?	?	?	?	?	?	?	0	0	0	0
---	---	---	---	---	---	---	---	---	---	---	---

FUNCTION

RATING


BODY COLOUR

ROCKER COLOUR


MARKING COLOUR

MARKING


1



4




A




C

16 A - 6 (6) A / 250 VAC
 10 A - 4 (4) A / 250 VAC - 5E4
 T125 °C
 EN 61058


16 A / 125 VAC
 8 A / 250 VAC
 T65 °C
 UL 1054
 CSA C22.2

1 


black

1 


black

2 


white

9 


red

B 


blue

X 


custom

0 


none

1 

black


2 


white


X 


custom

Terminal S


0 


C 


R 

X 

Terminal U

0 

A 

X 

PCB

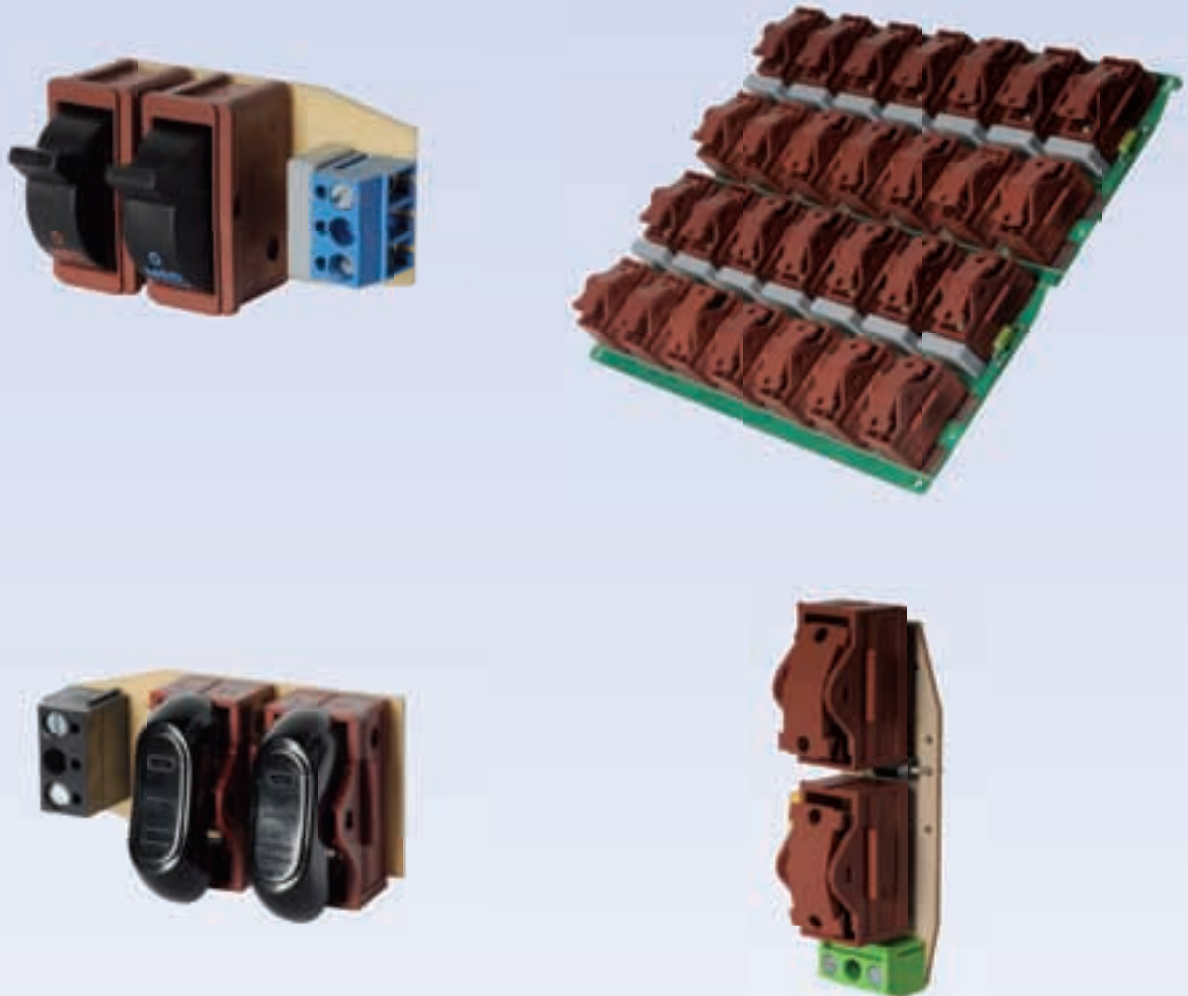
PRINTED CIRCUIT BOARD

In order to increase the collaboration with its own customers to create added value solutions, Everel has developed internal competencies and technologies to design and to manufacture control boards.

This type of activity has been particularly effective in combination with electromechanical components design and production, field in which Everel is a recognized leader; it has found very appreciated applications in control boards of hairdryers.

In close partnership with its own customers, Everel has developed many products. The R&D staff is available to design the perfect solutions according with Customer requests.

Below you could find some example of Everel PCB:



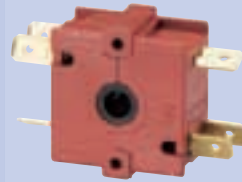
Slide and Rotary Switches

01



LF

122



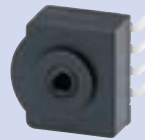
R1

124



DS

126



DH

127



LF

TYPICAL APPLICATIONS Cooker hoods, hairdryers

- FUNCTIONS**
- 1 step, SP or DP
 - 2 steps, DP
 - 3 steps, DP

CYCLE No. 10.000

CUT OUT Rear panel

AMBIENT TEMPERATURE 125 °C

GWT 850 °C

GWT NO FLAME (<2sec) 750 °C



DRAWING



LF2

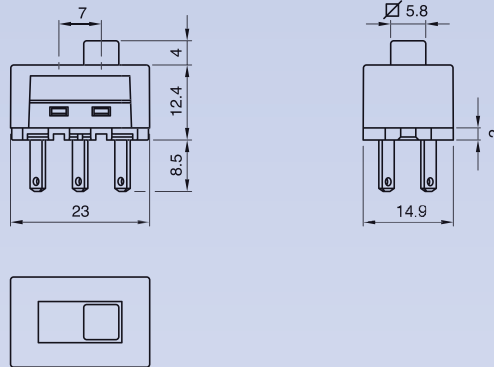


LF3

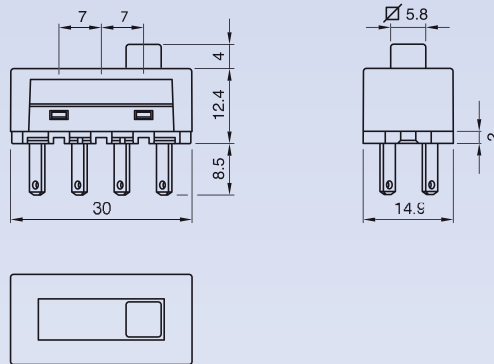


LF4

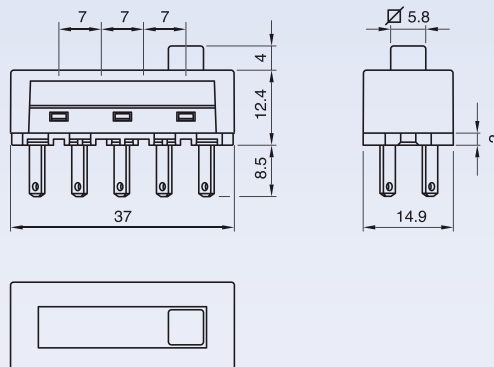
2

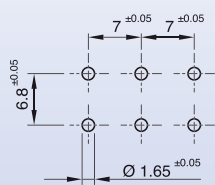


3

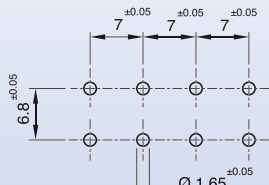


4

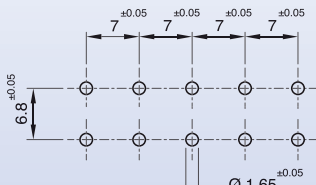




LF2



LF3



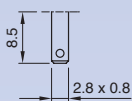
LF4

DRAWING	TERMINAL	FUNCTION	RATING				
L	F			0	0	0	W

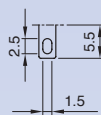
?

TERMINAL

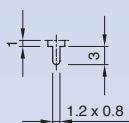
1



2



4

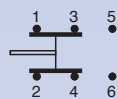


?

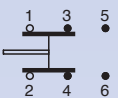
FUNCTION

Drawing 2

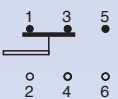
A



B

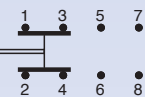


E

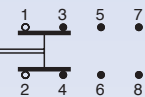


Drawing 3

A

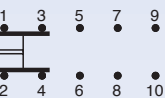


B

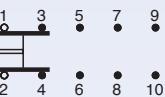


Drawing 4

A



B



?

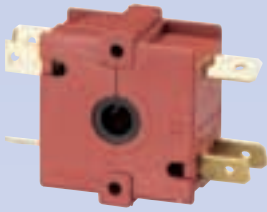
RATING

3

8 (3) A / 250 VAC
T125 °C
EN 61058

8 A / 125 VAC
T65 °C
UL 1054

0 0 0 W



R1

TYPICAL APPLICATIONS Fan heaters, small ovens, cleaners

FUNCTIONS ■ 30° steps (up to 6 positions), SP or DP

CYCLE No. 10.000 (50.000 on demand)

CUT OUT 28 mm interaxes screws

AMBIENT TEMPERATURE 150 °C

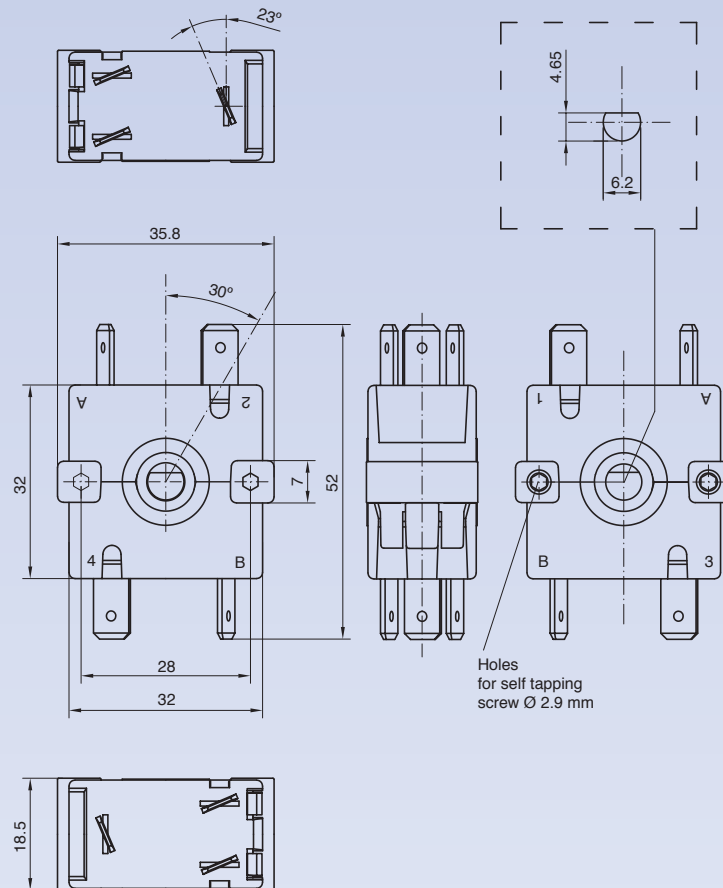
GWT 850 °C

GWT NO FLAME (<2sec) 750 °C on demand



R 1

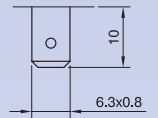
DRAWING

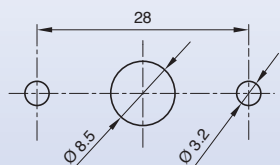


?

TERMINAL

1





TERMINAL	FUNCTION	RATING	SHAFT
R	1		
		0	0

?

?

FUNCTION

<p>A1</p>	<p>E4</p>
<p>D1</p>	<p>FA</p>
<p>D2</p>	<p>FU</p>
<p>D3</p>	<p>G4</p>
<p>D5</p>	<p>G6</p>
<p>D7</p>	<p>GE</p>
<p>D8</p>	<p>H2</p>
<p>D9</p>	

?

RATING

1

13 (3) A / 250 VAC
 6 (6) A / 250 VAC
 T150 °C
 EN 61058

13 A / 125 VAC
 T65 °C
 UL 1054
 CSA C22.2

?

SHAFT

0 No shaft

1

Shaft also available separately R019000

2

Shaft also available separately R023000

3

Shaft also available separately R022000

4

Shaft also available separately R104000

0

0



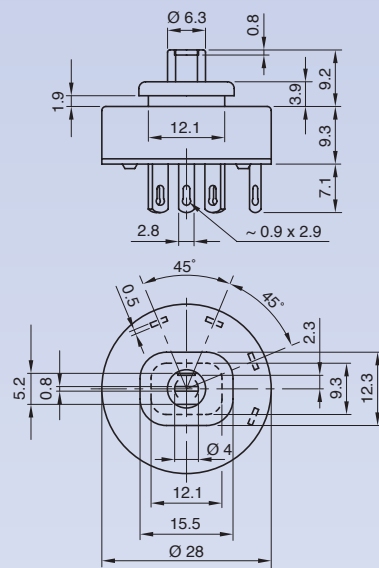
DS

TYPICAL APPLICATIONS	H VAC
FUNCTIONS	■ 45° steps (with 3 or 5 rest positions), SP
CYCLE No.	50.000
CUT OUT	Rear panel
AMBIENT TEMPERATURE	85 °C
GWT	850 °C
GWT NO FLAME (<2sec)	750 °C on demand

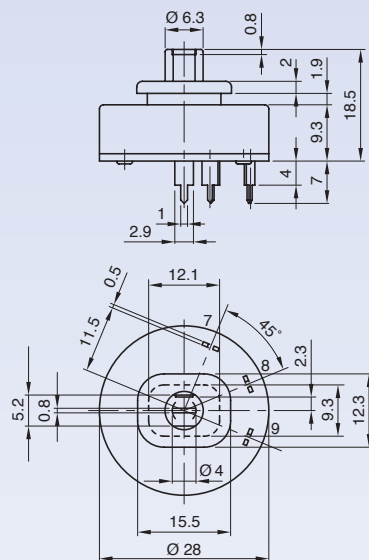


DRAWING

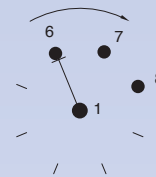
DS37



DS51



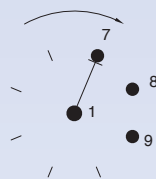
FUNCTION



RATING

2 (2) A / 250 VAC - 5E4
T85 °C
EN 61058

2A / 250 VAC
 T65 °C
 UL 1054





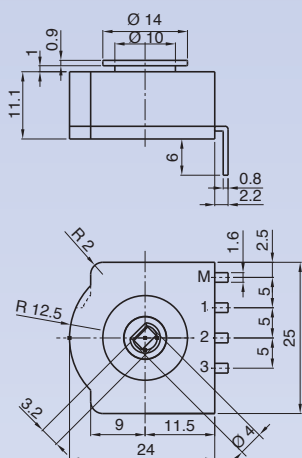
DH

TYPICAL APPLICATIONS	Circulation pumps
FUNCTIONS	■ 45° steps (with 3 positions), SP
CYCLE No.	10.000
CUT OUT	Rear panel
AMBIENT TEMPERATURE	85 °C
GWT	850 °C
GWT NO FLAME (<2sec)	750 °C

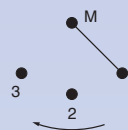


DRAWING

DH3



FUNCTION

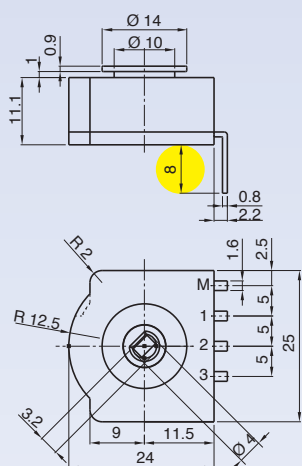


RATING

2 (2) A / 250 VAC
1 (0.5) A / 250 VAC
T85 °C
EN 61058

2A / 125 VAC
 T85 °C
 UL 1054

DH4



Micro Switches

01



MSA

130



MSS

132

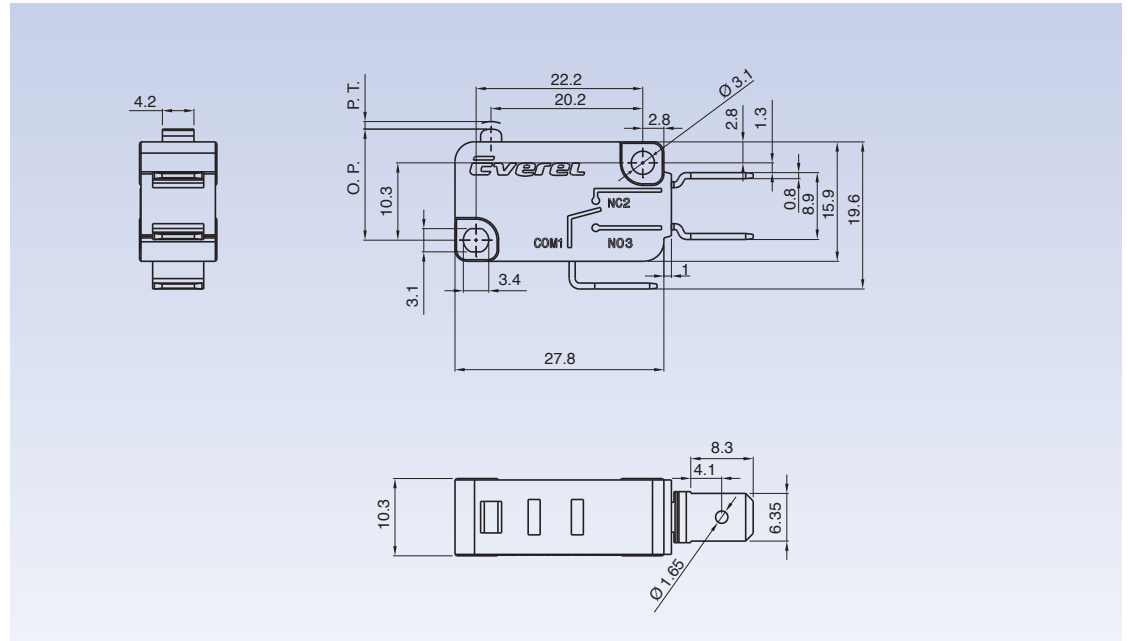


MSA

OPERATING SPEED	0,1 - 1 m/s (related to actuator form)
OPERATING FREQUENCY	Mechanical 60 cycles/min; Electrical 15 cycle/min
INSULATION RESISTANCE	≥100MΩ (500 VDC)
CONTACT RESISTANCE	< 100mΩ (initial value)
TEST VOLTAGE (each terminal same polarity)	AC1000V, 50/60HZ, 1MIN
TEST VOLTAGE (each terminal and non current carrying metal parts)	AC1500V, 50/60HZ, 1MIN
TEMPERATURE GRADE	-25 °C ≤ T ≤ 125 °C
VIBRATION RESISTANCE	10-55Hz, 1.5mm, double amplitude
LIFE EXPECTANCY	Mechanical ≥ 10 Mio cycles Electrical ≥ 50 k cycles



DRAWING



TEMPERATURE GRADE

T
25T125

ELECTRICAL RATING

16
16 (4) A / 250 VAC - 5E4
μ disconnection
EN 61058

16 A - 120/250 VAC
1/2 HP - 120/250 VAC
UL 1054

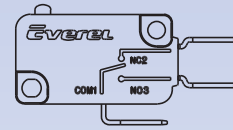
26
26 (10) A / 250 VAC - 5E4
μ disconnection
EN 61058

TERMINAL STYLE

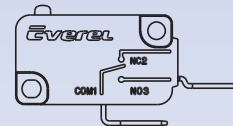
C1
6.3 X 0.8

CIRCUIT CODE

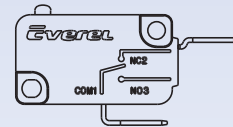
Z SPDT



P SPST NO



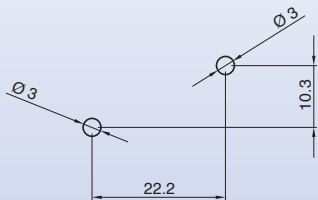
C SPST NC



OPERATING FORCE

200
Electrical Rating 16
200 gf 1,96N

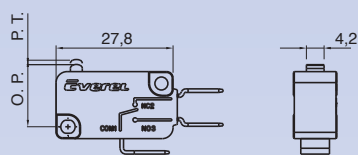
300
Electrical Rating 26
300 gf 2,94N



M	S	A	TEMP. GRADE	ELECTRICAL RATING	TERMINAL STYLE	CIRCUIT CODE	OPERATING FORCE	LEVER TYPE

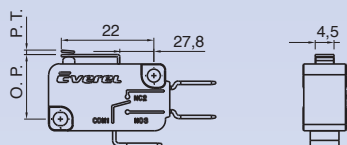
ACCESSORIES: LEVERS AVAILABLE

000



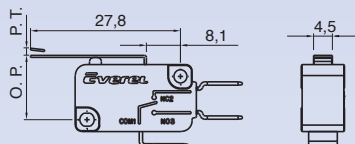
PARAMETERS							
OF Max		RF Min		PT Max	OT Min	DT Max	OP
(N)	(gf)	(N)	(gf)	(mm)	(mm)	(mm)	(mm)
1.96	200	0.49	50	1.6	0.8	0.4	14.7

A01



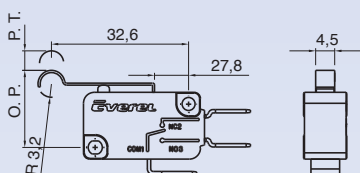
PARAMETERS							
OF Max		RF Min		PT Max	OT Min	DT Max	OP
(N)	(gf)	(N)	(gf)	(mm)	(mm)	(mm)	(mm)
1.96	200	0.49	50	1.6	0.8	0.4	15.3

A02



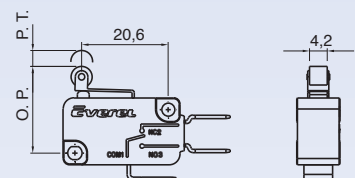
PARAMETERS							
OF Max		RF Min		PT Max	OT Min	DT Max	OP
(N)	(gf)	(N)	(gf)	(mm)	(mm)	(mm)	(mm)
1.18	120	0.20	20	3.2	1.3	1.2	15.3

A04



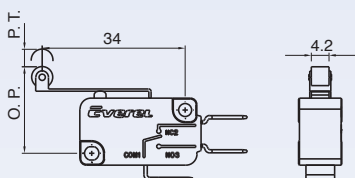
PARAMETERS							
OF Max		RF Min		PT Max	OT Min	DT Max	OP
(N)	(gf)	(N)	(gf)	(mm)	(mm)	(mm)	(mm)
1.18	120	0.20	20	3.2	1.3	1.2	18.3

A05



PARAMETERS							
OF Max		RF Min		PT Max	OT Min	DT Max	OP
(N)	(gf)	(N)	(gf)	(mm)	(mm)	(mm)	(mm)
2.35	240	0.39	40	1.6	0.8	0.4	20.6

A06



PARAMETERS							
OF Max		RF Min		PT Max	OT Min	DT Max	OP
(N)	(gf)	(N)	(gf)	(mm)	(mm)	(mm)	(mm)
1.18	120	0.20	20	3.2	1.3	1.2	20.6

OF = Operating Force **OT** = Over Travel
RF = Related Force **DT** = Different Travel
PT = Pre Travel **OP** = Operating Position

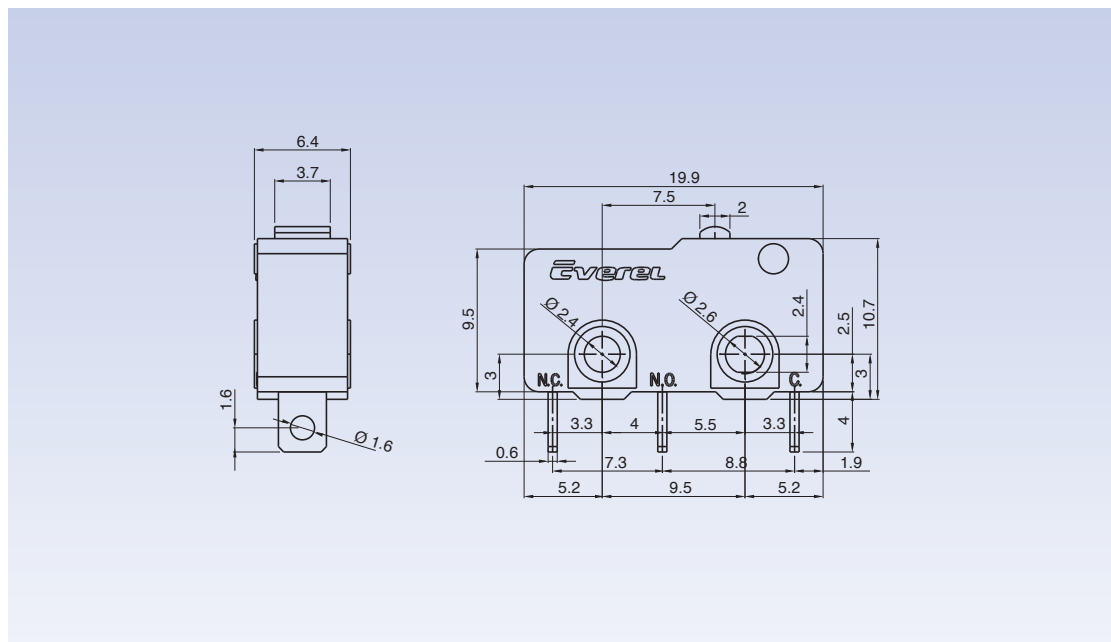


MSS

OPERATING SPEED	0,1 - 1 m/s (related to actuator form)
OPERATING FREQUENCY	Mechanical 60 cycles/min; Electrical 15 cycle/min
INSULATION RESISTANCE	≥100MΩ (500 VDC)
CONTACT RESISTANCE	< 100mΩ (initial value)
TEST VOLTAGE (each terminal same polarity)	AC1000V, 50/60HZ, 1MIN
TEST VOLTAGE (each terminal and non current carrying metal parts)	AC1500V, 50/60HZ, 1MIN
TEMPERATURE GRADE	-25 °C ≤ T ≤ 125 °C
VIBRATION RESISTANCE	10-55Hz, 1.5mm, double amplitude
LIFE EXPECTANCY	Mechanical ≥ 10 Mio cycles Electrical ≥ 50 k cycles



DRAWING



ELECTRICAL RATING

05
5 A - 125/250 VAC - 5E4
25T125
µ disconnection
EN 61058

5 A - 125/250 VAC
1/8 HP - 125/250 VAC
UL 1054

12
12 (6) A - 125/250 VAC
40T125
µ disconnection
EN 61058

12 A - 125/250 VAC
UL 1054

OPERATING FORCE

150 Electrical rating 05
150 gf

350 Electrical rating 12
350 gf

TERMINAL STYLE

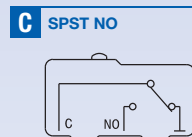
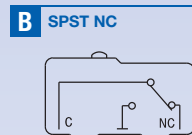
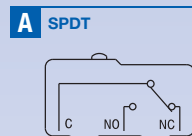
S
Solder connect

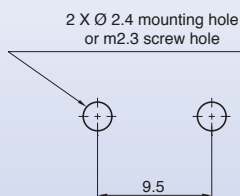
LEVER TYPE

00
No lever

All levers available in Accessories section

CIRCUIT CODE

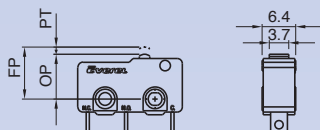




ELECTRICAL RATING		OPERATING FORCE		TERMINAL STYLE	LEVER TYPE	CIRCUIT CODE
M	S	S				

ACCESSORIES: LEVERS AVAILABLE

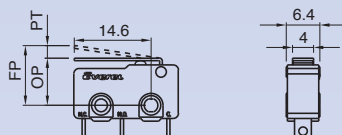
00



PARAMETERS

OF Max		RF Min		PT Max (mm)	OT Min (mm)	DT Max (mm)	FP Max (mm)	OP (mm)
(N)	(gf)	(N)	(gf)					
1.47	150	0.34	35	1.0	0.4	0.2	9.1	8.5

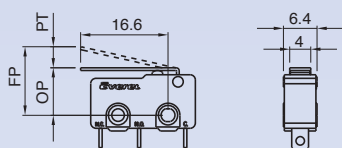
01



PARAMETERS

OF Max		RF Min		PT Max (mm)	OT Min (mm)	DT Max (mm)	FP Max (mm)	OP (mm)
(N)	(gf)	(N)	(gf)					
0.49	50	0.078	8	8	3.6	1.0	11.7	8.9

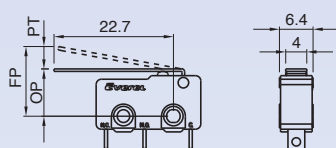
02



PARAMETERS

OF Max		RF Min		PT Max (mm)	OT Min (mm)	DT Max (mm)	FP Max (mm)	OP (mm)
(N)	(gf)	(N)	(gf)					
0.44	45	0.059	6	4.0	0.6	1.0	12.0	8.9

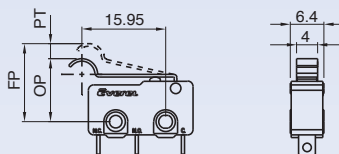
03



PARAMETERS

OF Max		RF Min		PT Max (mm)	OT Min (mm)	DT Max (mm)	FP Max (mm)	OP (mm)
(N)	(gf)	(N)	(gf)					
0.34	35	0.059	6	6.1	0.8	1.8	13.5	8.9

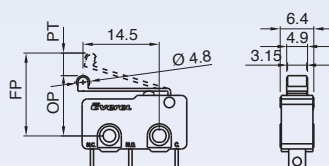
05



PARAMETERS

OF Max		RF Min		PT Max (mm)	OT Min (mm)	DT Max (mm)	FP Max (mm)	OP (mm)
(N)	(gf)	(N)	(gf)					
0.44	45	0.059	6	5.0	0.6	1.0	18.5	12.2

06



PARAMETERS

OF Max		RF Min		PT Max (mm)	OT Min (mm)	DT Max (mm)	FP Max (mm)	OP (mm)
(N)	(gf)	(N)	(gf)					
0.49	50	0.078	8	3.8	0.8	1.0	17.6	14.6

OF = Operating Force
RF = Related Force
PT = Pre Travel
OT = Over Travel
DT = Different Travel
FP = Free Position
OP = Operating Position

Control Boards

02



T5

136



MP4

138



TM4

140



TM5

141



T5



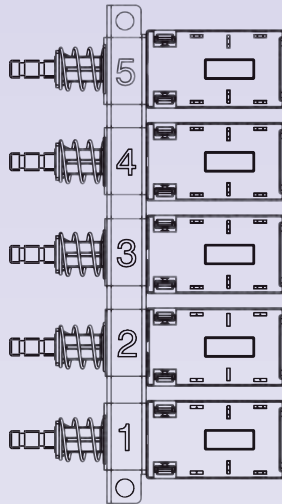
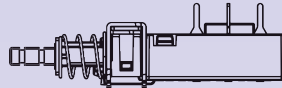
TYPICAL APPLICATIONS	Cooker hoods, coffee machines, microwave ovens
FUNCTIONS	Switch Keyboard <ul style="list-style-type: none"> ■ SPST, momentary or not ■ SPDT, momentary or not ■ DPST, momentary or not ■ DPDT, momentary or not
CYCLE No.	10.000
CUT OUT	-
AMBIENT TEMPERATURE	110 °C
GWT	850 °C
GWT NO FLAME (<2sec)	750 °C

T 5

?

DRAWING

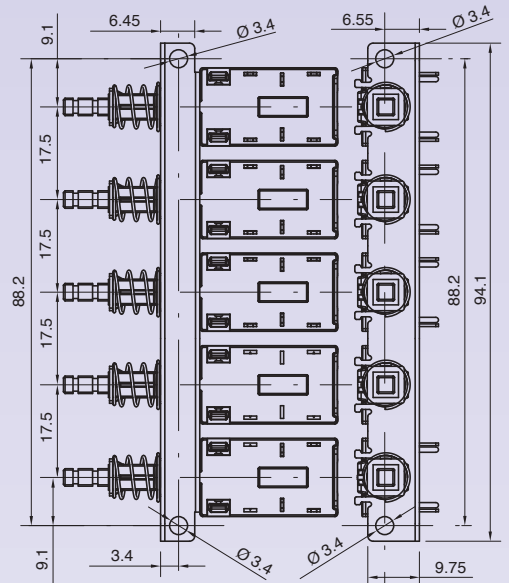
Switch series Touch



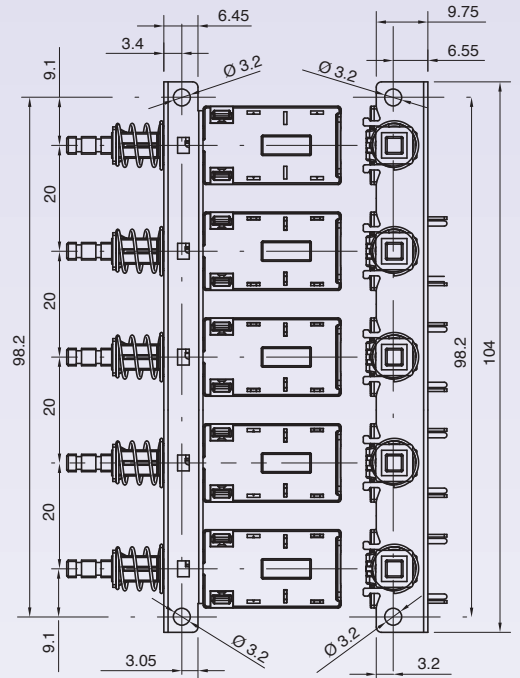
Version illuminated available

PITCH BETWEEN SWITCHES

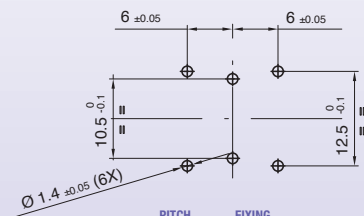
A Pitch 17.5 mm



B Pitch 20 mm



Drilling cut out for PCB



PITCH BETWEEN SWITCHES	FIXING TYPE AND TERMINALS	ACTUATOR TYPE	FUNCTION SWITCH 1	FUNCTION SWITCH 2	FUNCTION SWITCH 3	FUNCTION SWITCH 4	FUNCTION SWITCH 5	RATING
T	5							0 0 0 W

?
FIXING TYPE AND TERMINALS

?
ACTUATOR TYPE

?
FUNCTION SWITCH 1

?
FUNCTION SWITCH 2

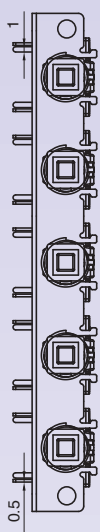
?
FUNCTION SWITCH 3

?
FUNCTION SWITCH 4

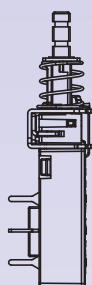
?
FUNCTION SWITCH 5

? 0 0 0 W
RATING

14



A



1



2



3



4



7



B



L



M



Z

Reset

1



2



3



4



7



B



L



M



Z

Reset

1



2



3



4



7



B



L



M



Z

Reset

1



2



3



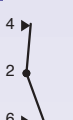
4



7



B



L



M



Z

Reset

1



2



3



4



7



B



L



M



Z

Reset

2

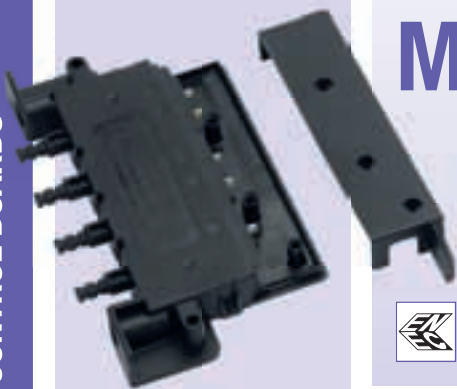
5 (2) A / 250 VAC
T85 °C

6 A / 125 VAC
T65 °C

3

8 (3) A / 250 VAC
T110 °C

6 A / 125 VAC
T65 °C



MP4

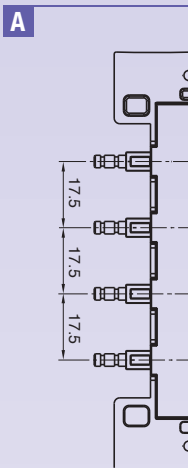
TYPICAL APPLICATIONS	Cooker hoods
FUNCTIONS	Switch Keyboard ■ light + 3 speed selection
CYCLE No.	50.000
CUT OUT	-
AMBIENT TEMPERATURE	125 °C
GWT	850 °C
GWT NO FLAME (<2sec)	750 °C



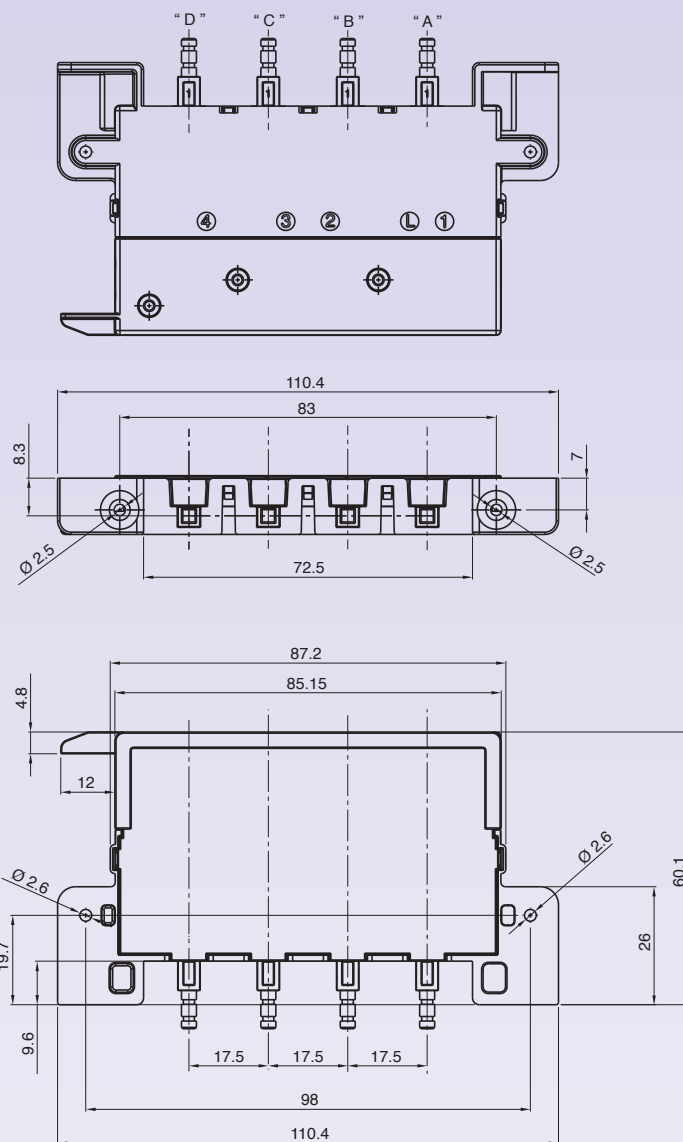
M P 4 ? ?

PITCH BETWEEN SWITCHES

DRAWING



1 Pitch 17.5 mm

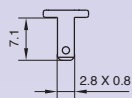


			PITCH BETWEEN SWITCHES	DRAWING	TERMINAL	SHAFT	FUNCTION	RATING			
M	P	4							0	0	0

?

TERMINAL

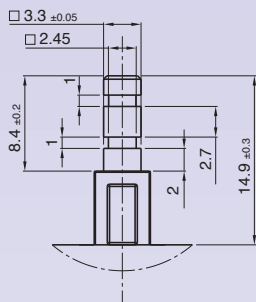
6



?

SHAFT

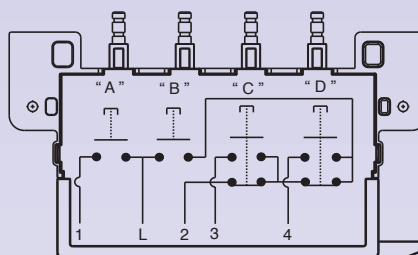
A



?

FUNCTION

1



?

RATING

3

4 (2.5) A / 250 VAC - 5E4
T85 °C

10 A / 125 VAC
5 A / 250 VAC
T85 °C

0

0

0

TM4


FEATURES

Control board with 4 "Touch" switches it is available in 5 different and customizable versions

APPLICATION

Cooker hoods

COMPOSITION

- 1 switch for the hood power light
- 3 switches for 3 different aspiration speeds
- 1 micro switch to switch off the aspiration when the drawer is closed



Lever with
Subminiature
Micro switch

4 Push-button switches

A VERSION - standard version

- 1 switch for the hood power light
- 3 switches for the speed of suction
- 1 micro switch

B VERSION - version with illuminated panel

- 1 switch for the hood power light
- 3 switches for the speed of suction
- 1 micro switch
- 1 lamp for the face illumination

**C VERSION - with led display
and for low voltage control boards**

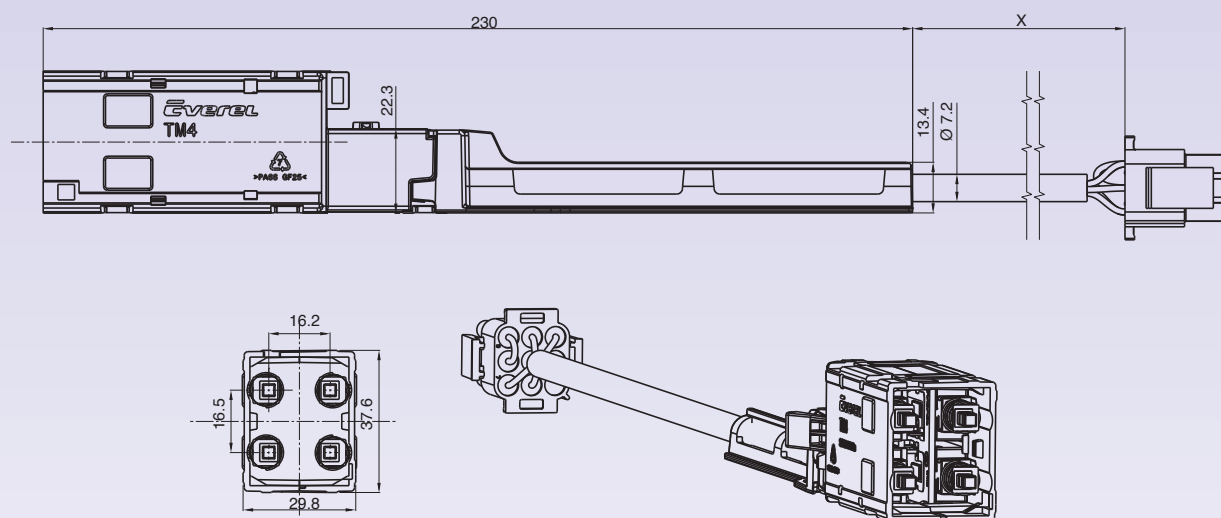
- 1 switch for the hood power light
- 3 switches for the speed of suction
- 1 micro switch
- 1 electronic control board

D VERSION - value added solution

- 1 micro switch
- 1 SX83 rocker switch
(cookerhood light + 2 aspiration speeds)

E VERSION

- version with illuminated touch

DIMENSIONS


TM5



FEATURES Control board with 5 or 6 push-buttons switches, more features are available on demand

APPLICATION Cooker hoods

COMPOSITION

- T5
- Box
- Cables
- Aesthetic buttons



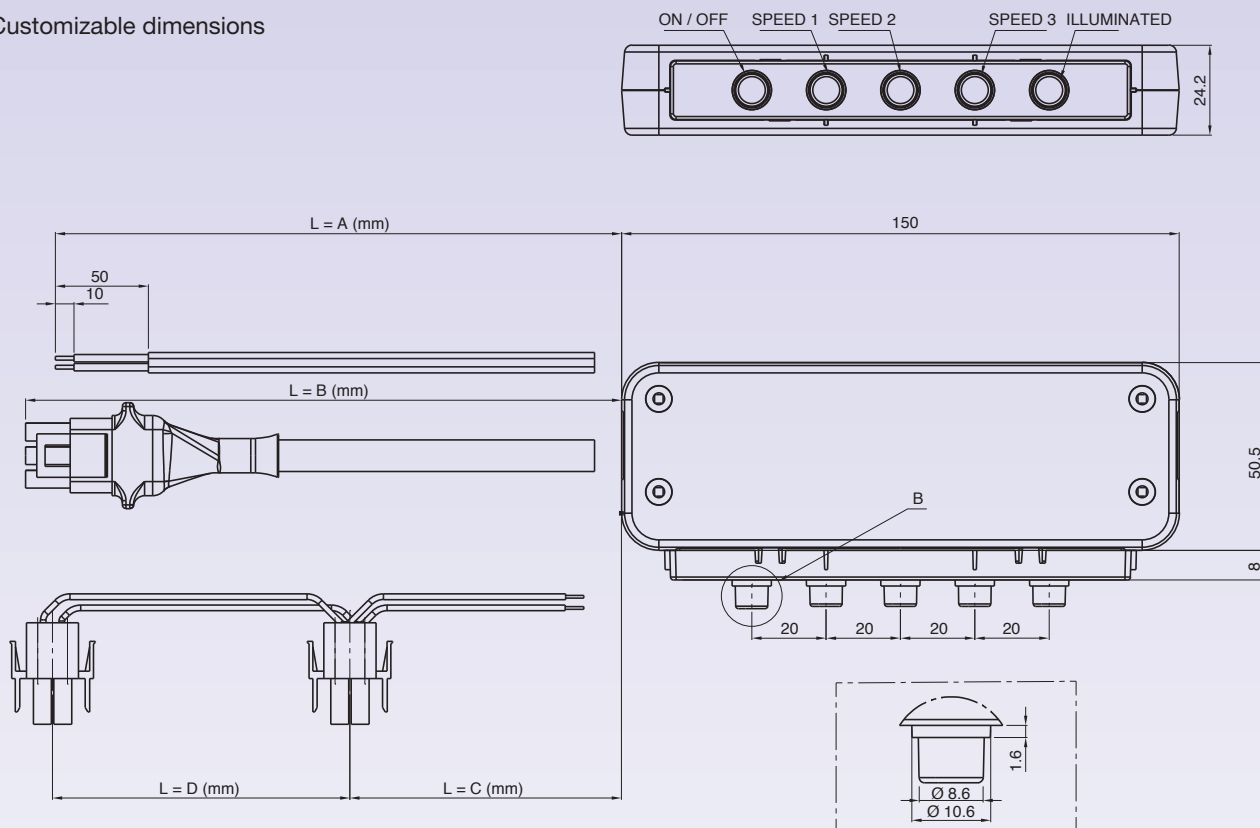
5 Push-button switches

The control board is a specific customizable solution to better satisfy customer requests:

- Length cables available on request
- Number of switches available on request
- Distance between buttons available in 2 measures: **17.5 and 20 mm**
- Version with indicator light available

DIMENSIONS

L = Customizable dimensions



Indicator Lights Switches Size

03



A5

144



A7

144



B5

146



B6

146



B7

148



SP60
indicator light

148



A5

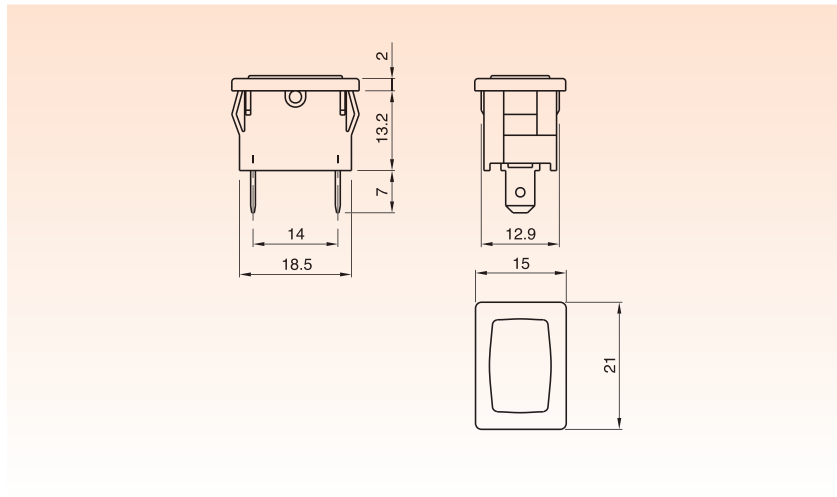
FUNCTION	Indicator light A1 series
AMBIENT TEMPERATURE	125 °C
GWT	850 °C
GWT NO FLAME (<2sec)	650 °C



A

5

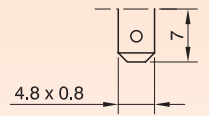
DRAWING



?

TERMINAL

1



A7

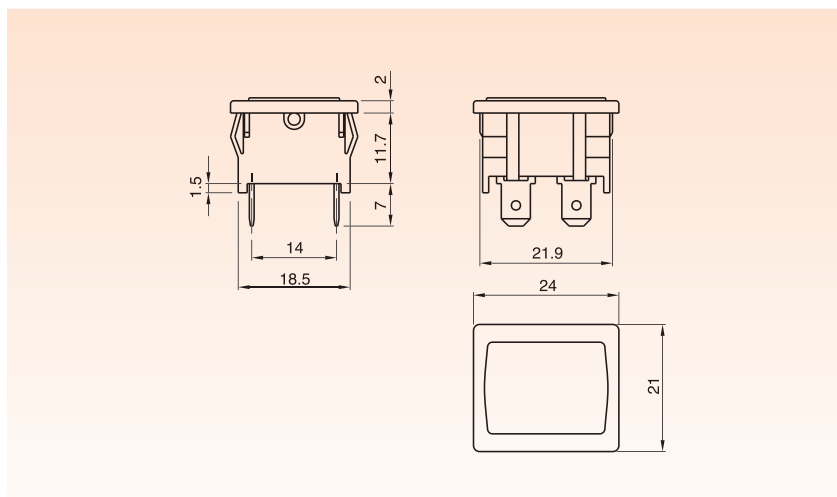
FUNCTION	Indicator light A4 series
AMBIENT TEMPERATURE	125 °C
GWT	850 °C
GWT NO FLAME (<2sec)	650 °C



A

7

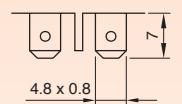
DRAWING

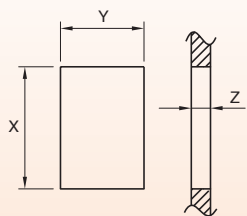


?

TERMINAL

1





Z	Y	X
0,7 ... 1,25	13,0 ±0,1	19,0 ±0,2
1,25 ... 2,0	13,0 ±0,1	19,3 ±0,2
2,0 ... 3,0	13,0 ±0,1	19,6 ±0,2

A	5	TERMINAL	FUNCTION	RATING	BODY COLOR	LENS COLOR	0	0	0	0	0
---	---	----------	----------	--------	------------	------------	---	---	---	---	---

?	?	?	?	0	0	0	0	0
---	---	---	---	---	---	---	---	---

FUNCTION

RATING

BODY COLOR

LENS COLOR

1

2

200 - 250 VAC
T125 °C
VDE 710

200 - 250 VAC
 T65 °C
 UL 496
 CSA C22.2

1

black

X **?**

custom

ILLUMINATED ✨

G

red

H

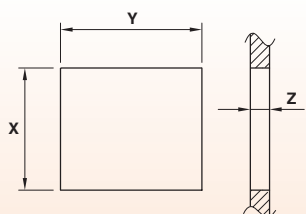
orange

E

green

X **?**

custom



Z	Y	X
0,7 ... 1,25	22,0 ±0,1	19,0 ±0,2
1,25 ... 2,0	22,0 ±0,1	19,3 ±0,2
2,0 ... 3,0	22,0 ±0,1	19,6 ±0,2

A	7	TERMINAL	FUNCTION	RATING	BODY COLOR	LENS COLOR	0	0	0	0	0
---	---	----------	----------	--------	------------	------------	---	---	---	---	---

?	?	?	?	0	0	0	0	0
---	---	---	---	---	---	---	---	---

FUNCTION

RATING

BODY COLOR

LENS COLOR

1

2

200 - 250 VAC
T125 °C
VDE 710

200 - 250 VAC
 T65 °C
 UL 496
 CSA C22.2

1

black

X **?**

custom

ILLUMINATED ✨

G

red

H

orange

E

green

X **?**

custom



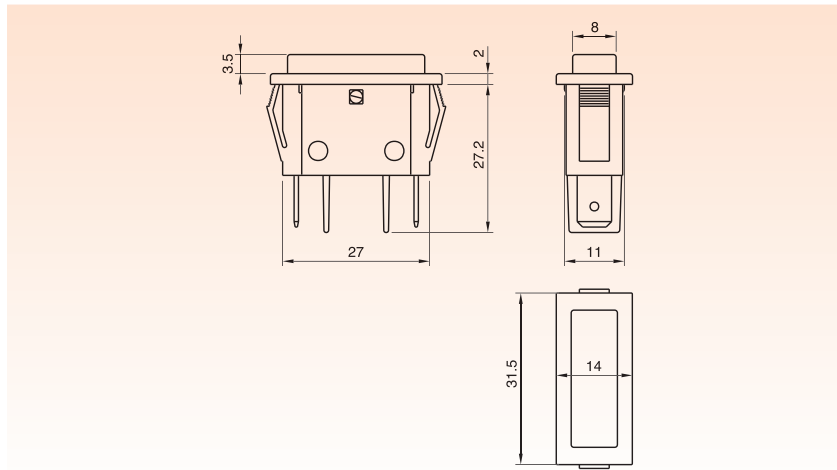
B5

FUNCTION	Indicator light SX81 series
AMBIENT TEMPERATURE	120 °C
GWT	850 °C
GWT NO FLAME (<2sec)	650 °C



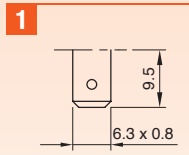
B 5

DRAWING



?

TERMINAL



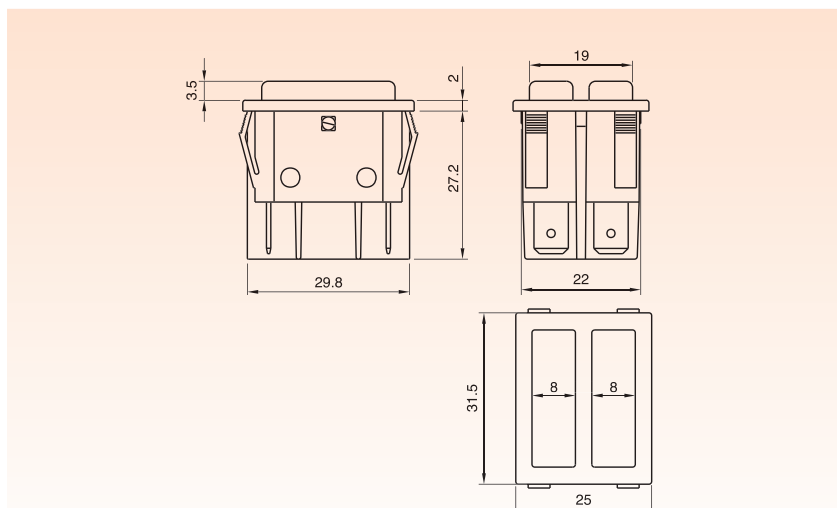
B6

FUNCTION	Indicator light SX83 series
AMBIENT TEMPERATURE	120 °C
GWT	850 °C
GWT NO FLAME (<2sec)	650 °C



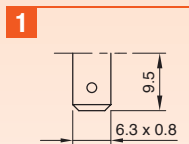
B 6

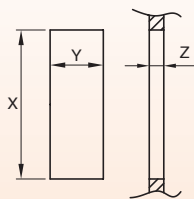
DRAWING



?

TERMINAL





Z	Y	X
0,75 ... 1,25	11,0 ±0,2 0	30,0 0 -0,1
1,25 ... 2,0	11,0 ±0,2 0	30,2 0 -0,1
2,0 ... 3,0	11,0 ±0,2 0	30,6 0 -0,2
3,0 ... 4,0	11,0 ±0,2 0	30,8 0 -0,2

TERMINAL	FUNCTION	RATING	BODY COLOR	LENS COLOR						
B	5				0	0	0	0	0	0

?	?	?	?	0	0	0	0	0	0
---	---	---	---	---	---	---	---	---	---

FUNCTION

RATING

BODY COLOR

LENS COLOR

1

2

200 - 250 VAC
T120 °C
VDE 710

200 - 250 VAC
T65 °C
UL 496
CSA C22.2

1

black

X **?**

custom

ILLUMINATED ✧

G

red

H

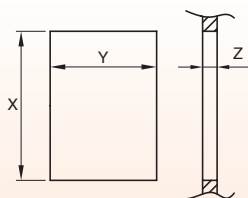
orange

E

green

X **?**

custom



Z	Y	X
0,75 ... 1,25	22,0 ±0,2 0	30,0 0 -0,1
1,25 ... 2,0	22,0 ±0,2 0	30,2 0 -0,1
2,0 ... 3,0	22,0 ±0,2 0	30,6 0 -0,2
3,0 ... 4,0	22,0 ±0,2 0	30,8 0 -0,2

TERMINAL	FUNCTION	RATING	BODY COLOR	LENS COLOR L	LENS COLOR R					
A	2					0	0	0	0	0

?	?	?	L ? R ?	0	0	0	0	0
---	---	---	---------	---	---	---	---	---

FUNCTION

RATING

BODY COLOR

LENS COLOR

1

2

200 - 250 VAC
T120 °C
VDE 710

200 - 250 VAC
T65 °C
UL 496
CSA C22.2

1

black

X **?**

custom

ILLUMINATED ✧

G

red

H

orange

E

green

X **?**

custom



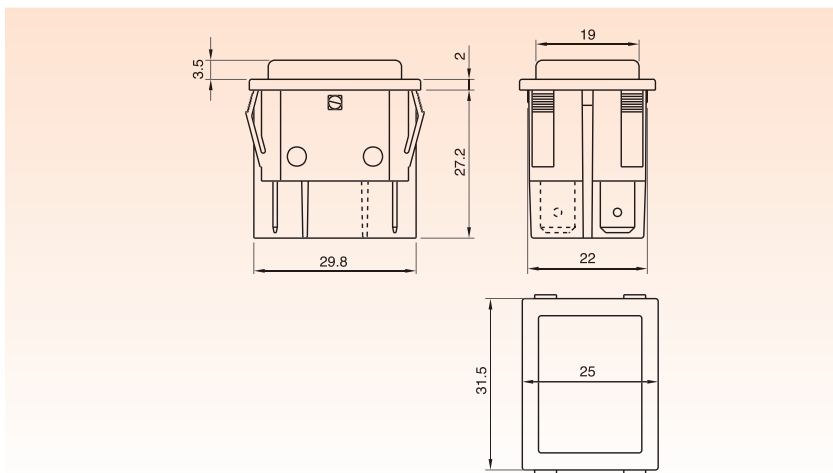
B7

FUNCTION	Indicator light SX82 series
AMBIENT TEMPERATURE	120 °C
GWT	850 °C
GWT NO FLAME (<2sec)	650 °C



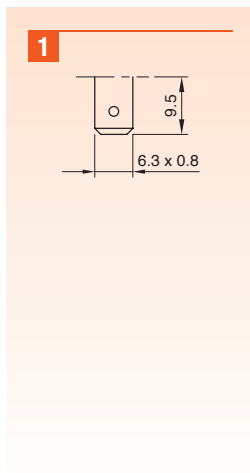
B 7

DRAWING



?

TERMINAL



SP60

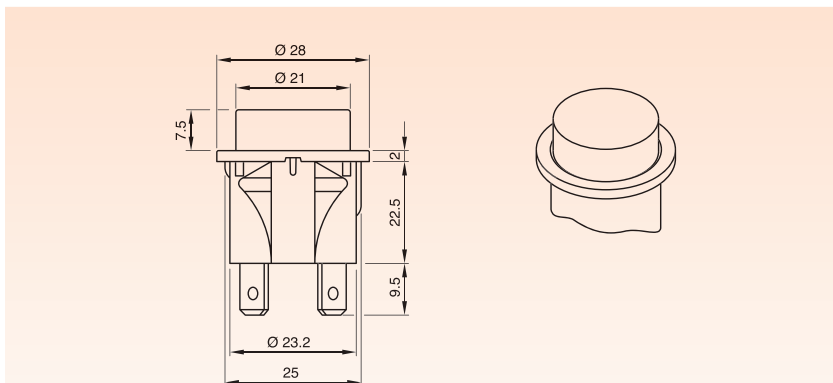
INDICATOR LIGHT

FUNCTION	Indicator light SP60 series
AMBIENT TEMPERATURE	120 °C
GWT	850 °C
GWT NO FLAME (<2sec)	650 °C



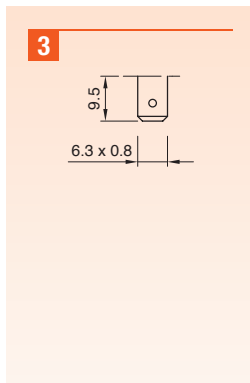
S P 6 0

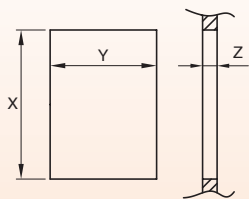
DRAWING



?

TERMINAL



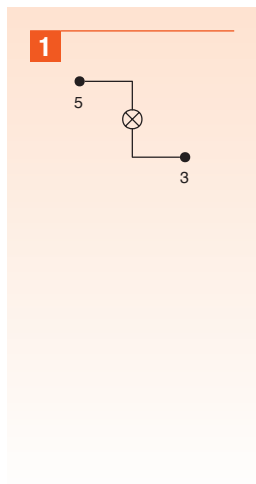


Z	Y	X
0,75 ... 1,25	22,0 ±0,2 0	30,0 0 -0,1
1,25 ... 2,0	22,0 ±0,2 0	30,2 0 -0,1
2,0 ... 3,0	22,0 ±0,2 0	30,6 0 -0,2
3,0 ... 4,0	22,0 ±0,2 0	30,8 0 -0,2

TERMINAL	FUNCTION	RATING	BODY COLOR	LENS COLOR						
B	7				0	0	0	0	0	0

?	?	?	?	0	0	0	0	0	0
---	---	---	---	---	---	---	---	---	---

FUNCTION



RATING

2

200 - 250 VAC
T120 °C
VDE 710

200 - 250 VAC
 T65 °C
 UL 496
 CSA C22.2

BODY COLOR

1 black

X **?** custom

LENS COLOR

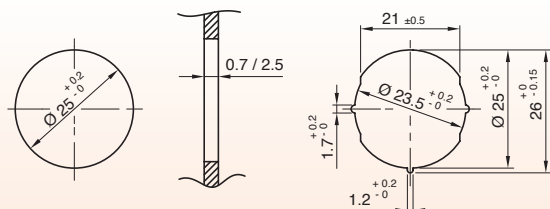
ILLUMINATED ✨

G red

H orange

E green

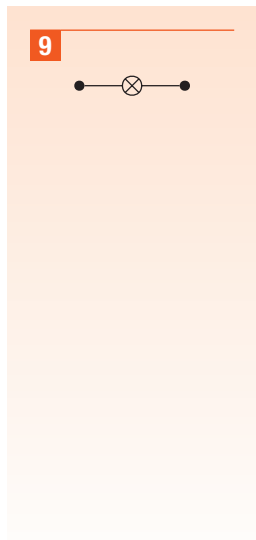
X **?** custom



TERMINAL	FUNCTION	RATING	BODY COLOR	LENS COLOR					
S	P	6	0					0	0

?	?	?	?	0	0	0	0
---	---	---	---	---	---	---	---

FUNCTION



RATING

2

220 VAC
T120 °C
VDE 710

220 VAC
 T65 °C
 UL 496
 CSA C22.2

BODY COLOR

1 black

X **?** custom

LENS COLOR

ILLUMINATED ✨

G red

H orange

E green

X **?** custom

Indicator Lights

03



SX17

152



SX31

158



SX21

152



SX33

158



SX24

154



SX41

160



SX27

154



SX43

160



SX28

156

Accessories 160

INDICATOR LIGHTS

FUNCTIONS	<ul style="list-style-type: none"> ■ Neon or fluorescent lamp, with or without anti-luminescence resistor ■ Incandescent lamp ■ LED in AC or DC version
VOLTAGE	From 2V to 400V
TEMPERATURE	From 75 °C to 150 °C
GWT	850 °C
GWT NO FLAME (<2sec)	650 °C

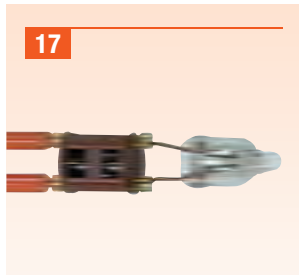


S X ? ?

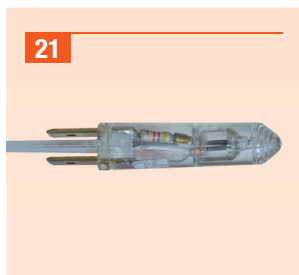
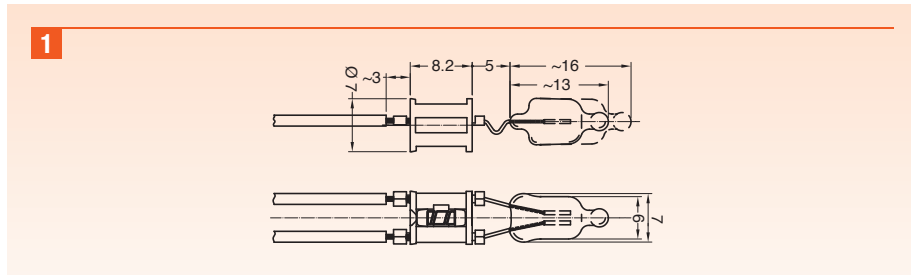
SERIES

CUT OUT

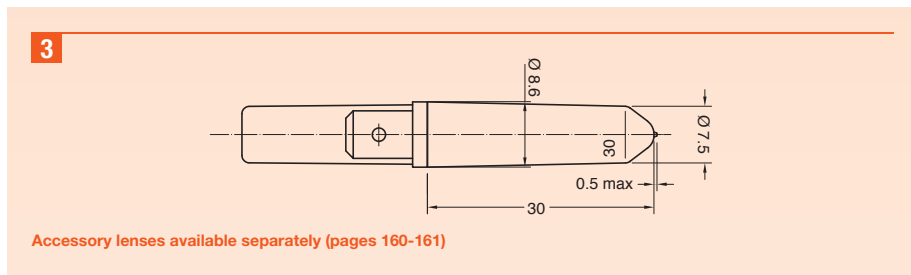
DRAWING



Custom



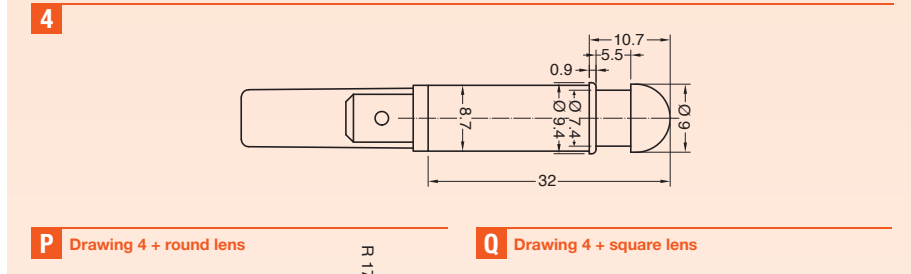
Custom



Accessory lenses available separately (pages 160-161)

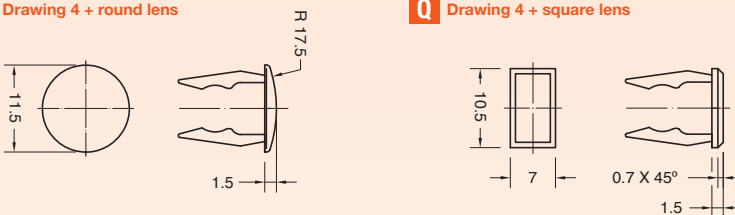


5.4 x 9 mm
th 1.5 mm



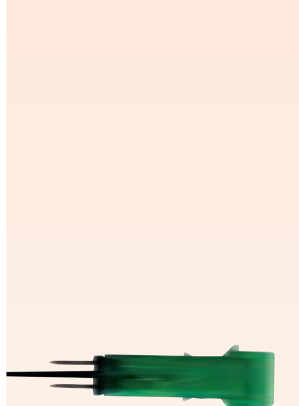
P Drawing 4 + round lens

Q Drawing 4 + square lens

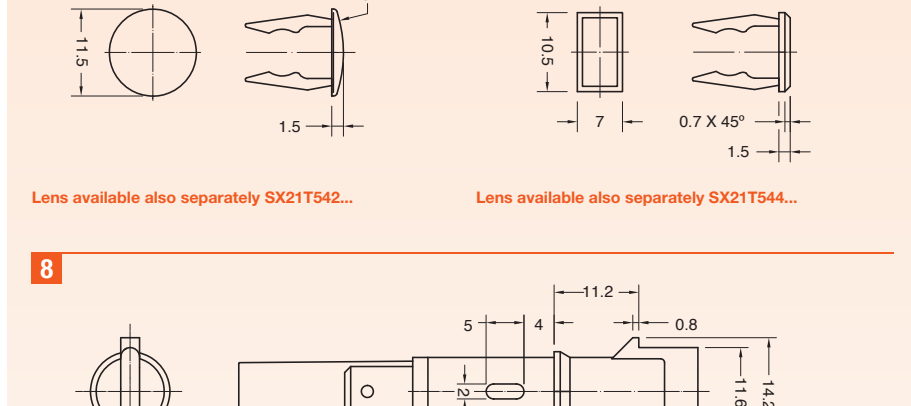


Lens available also separately SX21T542...

Lens available also separately SX21T544...



2.5 x 11.6 mm



S	X	SERIES	DRAWING	TERMINAL	FUNCTION	VOLTAGE	TEMP.	COLOUR	WIRES	0	0

?	?	?	?	?	?	?	?	?	?	0	0
---	---	---	---	---	---	---	---	---	---	---	---

TERMINAL

1 Series 21
Tabs 6.3 x 0.8

7 Series 17
PCB terminal

A Series 17
Wires

C Series 21
Signal Click

K Series 21
Wires crimped

R Series 21
Wires sealed

FUNCTION

1 Series 17 - 21

Neon or Fluorescent lamp

2 Series 21

Neon or Fluorescent lamp with anti-luminescence

3 Series 21

Incandescent lamp

5 Series 21

LED
DC or AC current
2 ÷ 24 V

6 Series 21
Terminal 1

LED
AC current
110 ÷ 250 V

7 Series 21
Terminal C - K - R

LED
AC current
110 ÷ 250 V

VOLTAGE

1 Function 5
2 V

2 Function 3 - 5
12 V

3 Function 3 - 5
24 V

4 Function 1 - 2 - 6 - 7
110 V

5 Function 1 - 2 - 6 - 7
125 V

6 Function 1 - 2 - 6 - 7
230 V

7 Function 1 - 2 - 6 - 7
250 V

8 Function 1 - 2
400 V

VDE or UL certified

?
Available on demand

X
Custom

TEMPERATURE

A
T 75 °C

1 Function 1 - 2 - 3
T 90 °C

2 Function 1 - 2
T 120 °C

3 Function 1 - 2
T 150 °C

COLOUR

SERIES 17

NO LENS ✖

0 red light

1 green light

SERIES 21

ILLUMINATED ✖

Drawing 3 - 4

L white

Drawing P - Q - 8

G red

H orange

E green

L white

X **?** custom

WIRES

000 Terminal 1 - 7 - C
Indicator light without wires

??? Terminal A - K - R
Indicator light with wires

Wires Materials:

- PVC (up to T90 °C)
- SILICONE (up to T200 °C)

Wires Lengths:
from 60 mm to 600 mm (special version available up to 1.450 mm)

Wires Ends:

- pre-stripped (from 5.5 to 18 mm)
- stripped (from 5.5 to 18 mm)
- not stripped
- crimp terminals

S X ? ?

?

SERIES

CUT OUT

DRAWING

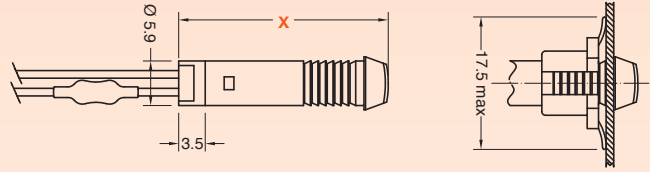
24



○
ø 6 mm
th 0.5 ... 2 mm

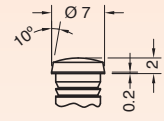
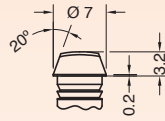


○
ø 6 mm
th 0.5 ... 1 mm

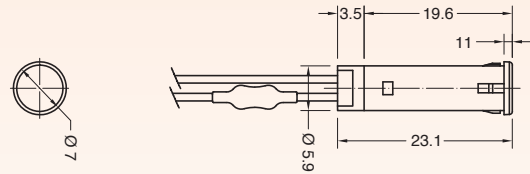


0 X = 24.2 mm

2 X = 23 mm



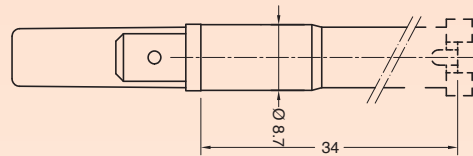
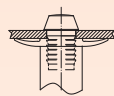
5



27



○
ø 6 mm
th 0.5 ... 3 mm

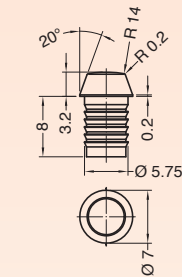
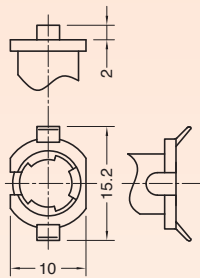


5 No lens 2 clips

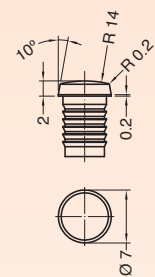
0 Drawing 5 + lens

2 Drawing 5 + lens

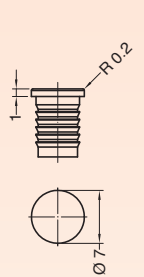
8 Drawing 5 + lens



Lens available also separately SX27T0...



Lens available also separately SX27T2...



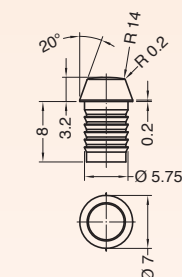
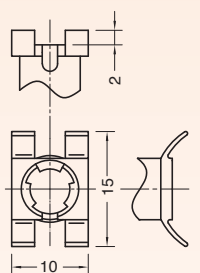
Lens available also separately SX27T8...

N No lens 4 clips

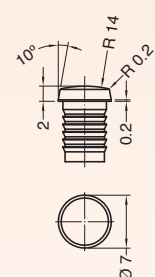
A Drawing N + lens

E Drawing N + lens

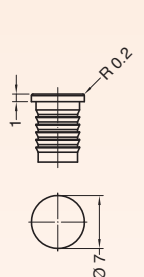
C Drawing N + lens



Lens available also separately SX27T0...



Lens available also separately SX27T2...



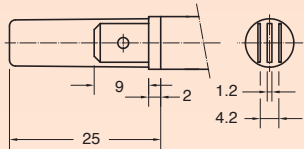
Lens available also separately SX27T8...

S	X	SERIES	DRAWING	TERMINAL	FUNCTION	VOLTAGE	TEMP.	COLOUR	WIRES	0	0
---	---	--------	---------	----------	----------	---------	-------	--------	-------	---	---

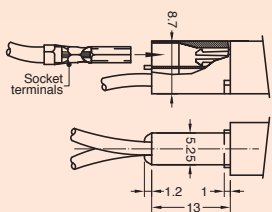
?	?	?	?	?	?	?	?	?	?	0	0
---	---	---	---	---	---	---	---	---	---	---	---

TERMINAL

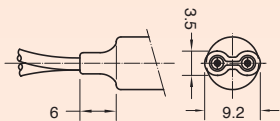
1 Series 27
Tabs 6.3 x 0.8



C Series 27
Signal Click



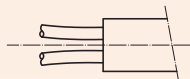
K Series 27
Wires crimped



P Series 24
Wires locked with plug

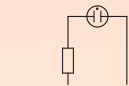


R Series 27
Wires sealed



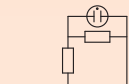
FUNCTION

1 Series 24 - 27



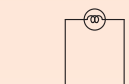
Neon or Fluorescent lamp

2 Series 27



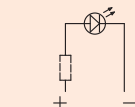
Neon or Fluorescent lamp with anti-luminescence

3 Series 27



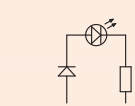
Incandescent lamp

5 Series 24 - 27



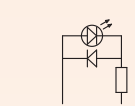
LED
DC or AC current
2 ÷ 24 V

6 Series 24 - 27
Terminal 1 - P



LED
AC current
110 ÷ 250 V

7 Series 27
Terminal C - K - R



LED
AC current
110 ÷ 250 V

VOLTAGE

1 Function 5

2 V

2 Function 3 - 5

12 V

3 Function 3 - 5

24 V

4 Function 1 - 2 - 6 - 7

110 V

5 Function 1 - 2 - 6 - 7

125 V

6 Function 1 - 2 - 6 - 7

230 V

7 Function 1 - 2 - 6 - 7

250 V

8 Function 1 - 2

400 V

VDE or UL certified

?

Available on demand

X

Custom

TEMPERATURE

A

T 75 °C

1 Function 1 - 2 - 3

T 90 °C

2 Function 1 - 2

T 120 °C

3 Function 1 - 2

T 150 °C

COLOUR

SERIES 24

ILLUMINATED ✖

G red

H orange

E green

L white

SERIES 27

Drawing 5 - N

NO LENS ✖

0 red light

1 green light

Drawing 0 - 2 - 8 - A - C - E

ILLUMINATED ✖

G red

H orange

E green

L white

X ?
custom

WIRES

000 Terminal 1 - C

Indicator light without wires

??? Terminal K - P - R

Indicator light with wires

Wires Material:

- PVC (up to T90 °C)
- SILICONE (up to T200 °C)

Wires Length:

from 60 mm to 600 mm (special version available up to 1.450 mm)

Wires Ends:

- pre-stripped (from 5.5 to 18 mm)
- stripped (from 5.5 to 18 mm)
- not stripped
- crimp terminals

S X ? ?

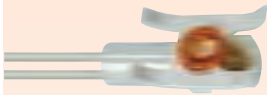
?

SERIES

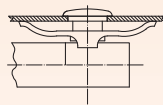
CUT OUT

DRAWING

27

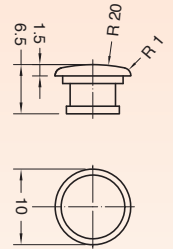
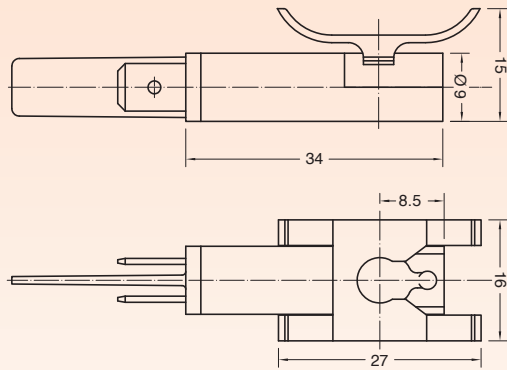


○
ø 8 mm
th 0.5 ... 2 mm



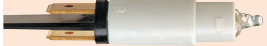
M No lens

P Drawing M + lens



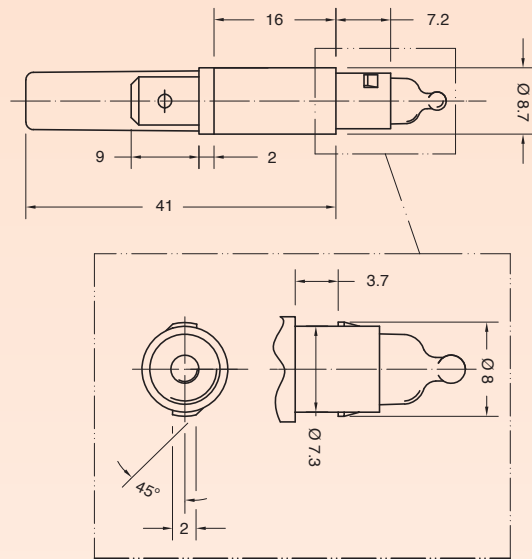
Lens available also separately SX27TP...

28



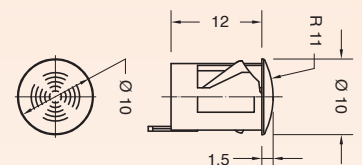
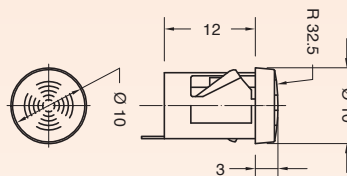
Custom

9 No lens



6 Drawing 9 + lens

F Drawing 9 + lens

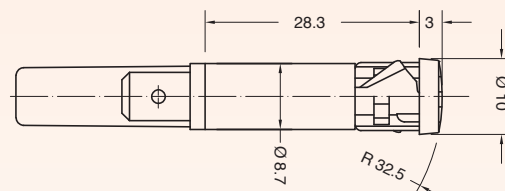


Lens available also separately SX28T6...

Lens available also separately SX28TF...

Further lens shapes available on demand

H One piece



○
ø 9 mm
th 0.5 ... 2 mm



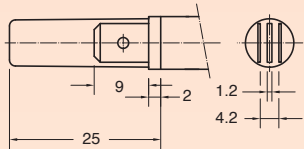
○
ø 9 mm
th 0.5 ... 2 mm

S	X	SERIES	DRAWING	TERMINAL	FUNCTION	VOLTAGE	TEMP.	COLOUR	WIRES	0	0
---	---	--------	---------	----------	----------	---------	-------	--------	-------	---	---

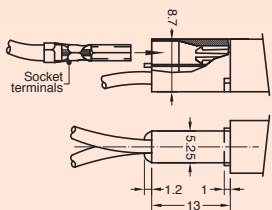
?	?	?	?	?	?	?	?	?	?	0	0
---	---	---	---	---	---	---	---	---	---	---	---

TERMINAL

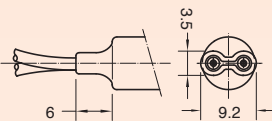
1 Series 27 - 28
Tabs 6.3 x 0.8



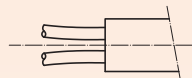
C Series 27 - 28
Signal Click



K Series 28
Wires crimped



R Series 27 - 28
Wires sealed



FUNCTION

1 Series 27 - 28



Neon or Fluorescent lamp

2 Series 27 - 28



Neon or Fluorescent lamp with anti-luminescence

3 Series 27 - 28



Incandescent lamp

5 Series 27 - 28



LED
DC or AC current
2 ÷ 24 V

6 Series 28
Terminal 1



LED
AC current
110 ÷ 250 V

7 Series 28
Terminal C - K - R



LED
AC current
110 ÷ 250 V

VOLTAGE

1 Function 5

2 V

2 Function 3 - 5

12 V

3 Function 3 - 5

24 V

4 Function 1 - 2 - 6 - 7

110 V

5 Function 1 - 2 - 6 - 7

125 V

6 Function 1 - 2 - 6 - 7

230 V

7 Function 1 - 2 - 6 - 7

250 V

8 Function 1 - 2

400 V

VDE or UL certified

?

Available on demand

X

Custom

TEMPERATURE

A

T 75 °C

1 Function 1 - 2 - 3

T 90 °C

2 Function 1 - 2

T 120 °C

3 Function 1 - 2

T 150 °C

COLOUR

NO LENS ✖



ILLUMINATED ✖



WIRES

000 Terminal 1 - C

Indicator light without wires

??? Terminal K - R

Indicator light with wires

Wires Material:

- PVC (up to T90 °C)
- SILICONE (up to T200 °C)

Wires Length:

from 60 mm to 600 mm (special version available up to 1.450 mm)

Wires Ends:

- pre-stripped (from 5.5 to 18 mm)
- stripped (from 5.5 to 18 mm)
- not stripped
- crimp terminals

S X ? ?

?

SERIES

CUT OUT

DRAWING

31



○
ø 10 mm
th 0.5 ... 9 mm



○
ø 10 mm
th 0.5 ... 9 mm

33



○
ø 10 mm
th 0.8 ... 2 mm

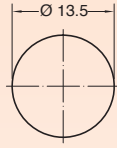


○
ø 10 mm
th 0.8 ... 2 mm

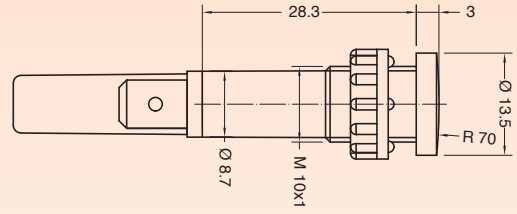


○
ø 10 mm
th 0.8 ... 2 mm

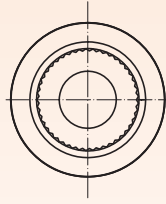
2 Mounted ring



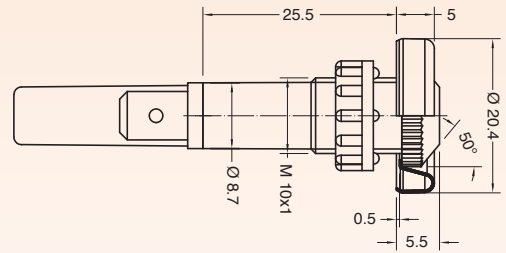
B Unmounted ring



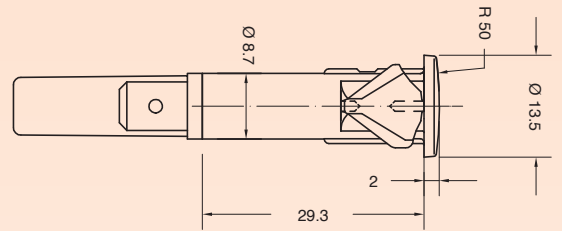
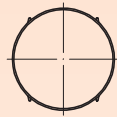
9 Mounted ring



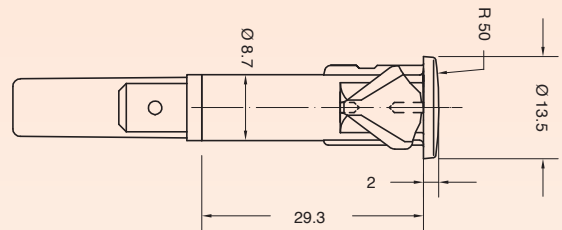
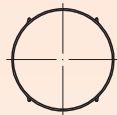
D Unmounted ring



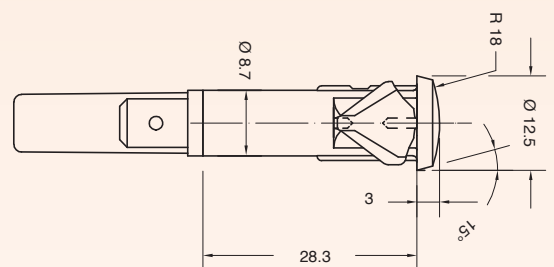
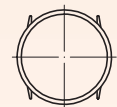
2



C With antirotation rib



H

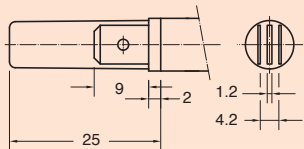


S	X	SERIES	DRAWING	TERMINAL	FUNCTION	VOLTAGE	TEMP.	COLOUR	WIRES	0	0

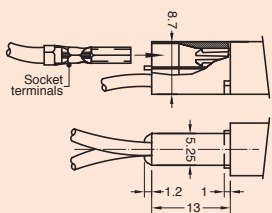
?	?	?	?	?	?	?	?	?	?	0	0
---	---	---	---	---	---	---	---	---	---	---	---

TERMINAL

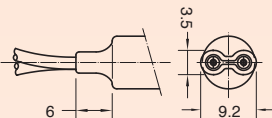
1 Tabs 6.3 x 0.8



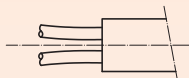
C Signal Click



K Wires crimped

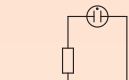


R Wires sealed



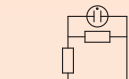
FUNCTION

1



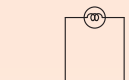
Neon or Fluorescent lamp

2



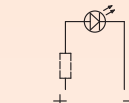
Neon or Fluorescent lamp with anti-luminescence

3



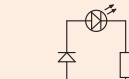
Incandescent lamp

5



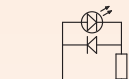
LED
DC or AC current
2 ÷ 24 V

6 Terminal 1



LED
AC current
110 ÷ 250 V

7 Terminal C - K - R



LED
AC current
110 ÷ 250 V

VOLTAGE

1 Function 5

2 V

2 Function 3 - 5

12 V

3 Function 3 - 5

24 V

4 Function 1 - 2 - 6 - 7

110 V

5 Function 1 - 2 - 6 - 7

125 V

6 Function 1 - 2 - 6 - 7

230 V

7 Function 1 - 2 - 6 - 7

250 V

8 Function 1 - 2

400 V

VDE or UL certified

?

Available on demand

X

Custom

TEMPERATURE

A

T 75 °C

1 Function 1 - 2 - 3

T 90 °C

2 Function 1 - 2

T 120 °C

3 Function 1 - 2

T 150 °C

COLOUR

ILLUMINATED ✨



WIRES

000 Terminal 1 - C

Indicator light without wires

??? Terminal K - R

Indicator light with wires

Wires Material:

- PVC (up to T90 °C)
- SILICONE (up to T200 °C)

Wires Length:

from 60 mm to 600 mm (special version available up to 1.450 mm)

Wires Ends:

- pre-stripped (from 5.5 to 18 mm)
- stripped (from 5.5 to 18 mm)
- not stripped
- crimp terminals

S X ? ?

?

SERIES

CUT OUT

DRAWING

41

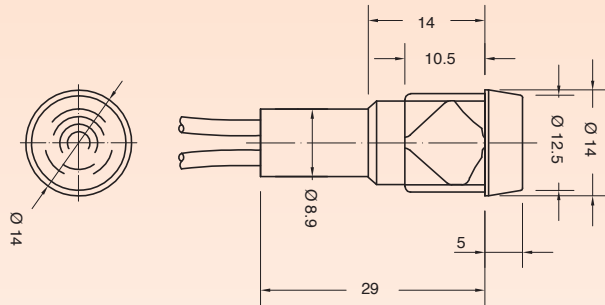


○
ø 12 mm
th 0.8 ... 2 mm

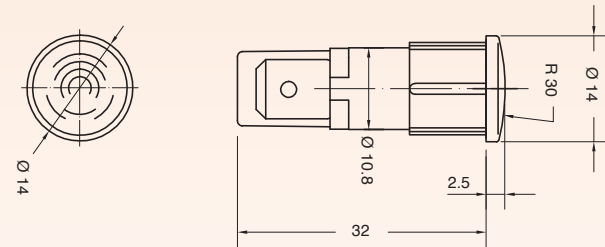


○
ø 12 mm
th 0.8 ... 2 mm

1



2

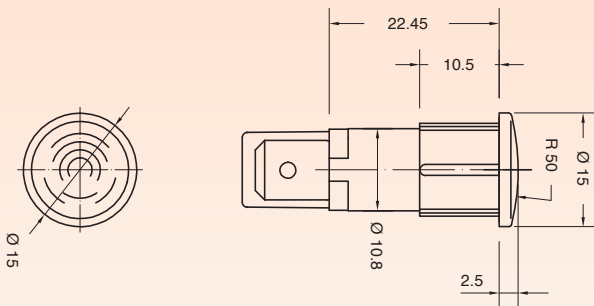


43



○
ø 13 mm
th 0.8 ... 2 mm

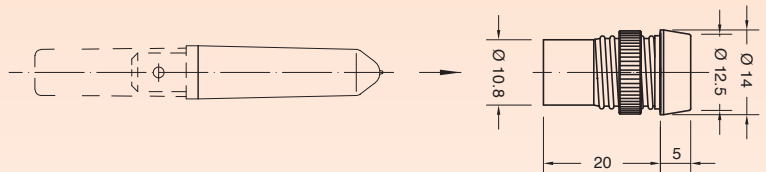
2



ACCESSORY LENSES FOR SERIES SX213...

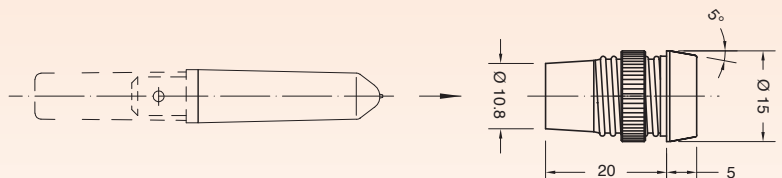
SX21T511...

○
ø 12 mm
th 0.8 ... 6.5 mm



SX21T531...

○
ø 13 mm
th 0.8 ... 6.5 mm



S	X	SERIES	DRAWING	TERMINAL	FUNCTION	VOLTAGE	TEMP.	COLOUR	WIRES	0	0
---	---	--------	---------	----------	----------	---------	-------	--------	-------	---	---

?	?	?	?	?	?	?	?	?	?	0	0
---	---	---	---	---	---	---	---	---	---	---	---

TERMINAL

1 Series 41 - 43
Tabs 6.3 x 0.8

R Series 41
Wires sealed

FUNCTION

1

2

3

5

6 Terminal 1

7 Terminal R

VOLTAGE

1 Function 5
2 V

2 Function 3 - 5
12 V

3 Function 3 - 5
24 V

4 Function 1 - 2 - 6 - 7
110 V

5 Function 1 - 2 - 6 - 7
125 V

6 Function 1 - 2 - 6 - 7
230 V

7 Function 1 - 2 - 6 - 7
250 V

8 Function 1 - 2
400 V

VDE or UL certified

?
Available on demand

X
Custom

TEMPERATURE

A
T 75 °C

1 Function 1 - 2 - 3
T 90 °C

2 Function 1 - 2
T 120 °C

3 Function 1 - 2
T 150 °C

COLOUR

ILLUMINATED ✨

G red

H orange

E green

L white

X ?
custom

WIRES

000 Terminal 1 - C
Indicator light without wires

??? Terminal K - R
Indicator light with wires

Wires Material:

- PVC (up to T90 °C)
- SILICONE (up to T200 °C)

Wires Length:
from 60 mm to 600 mm (special version available up to 1.450 mm)

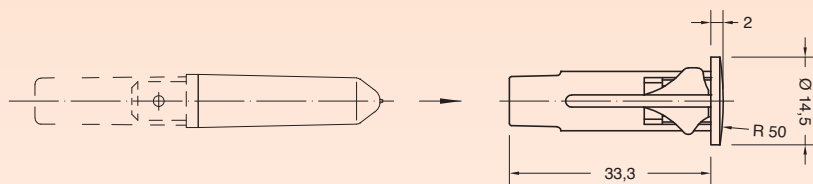
Wires Ends:

- pre-stripped (from 5.5 to 18 mm)
- stripped (from 5.5 to 18 mm)
- not stripped
- crimp terminals

Indicator Lights

SX21T572...
with antirotation rib

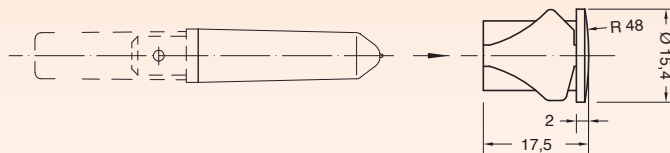
∅ 10.2 mm
th 0.8 ... 2 mm



SX21T572...
without antirotation rib

SX21T592...

∅ 13 mm
th 0.5 ... 2.5 mm



Selectors

04



HE

164



5HE 7TAKT

168



5HE 7TAKT DUO

170



HT

172



HT 4 BLOCK

174



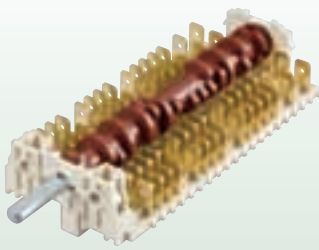
CH

175



2CH WITH ENCODER

176



HE



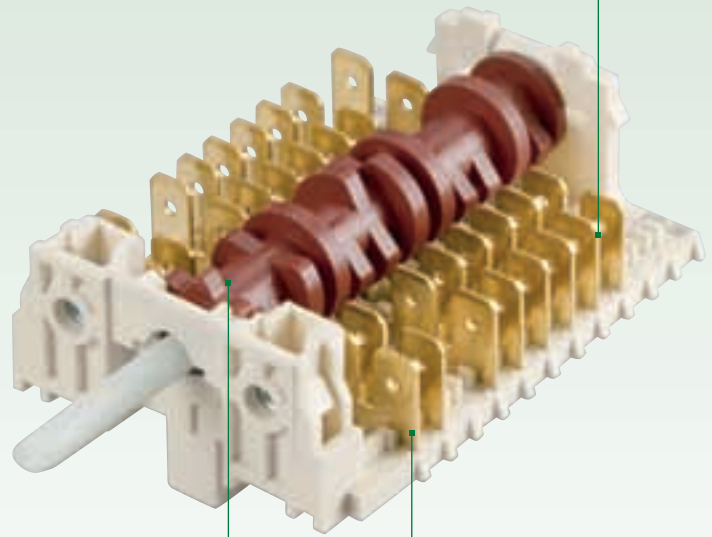
TYPICAL APPLICATIONS	Function selector switch
WIRING DIAGRAMAS	2 - 14 positions Rast 5 connectors
GWFI	850 °C
GWIT	750 °C

Rotary switches with a wide range of configurations. 6 types of housing available, different for the maximum number of contacts. HE series is automatically assembled in a great variety of configurations.

- Function selector switch
- Child lock - push to turn feature on demand
- Coupling with encoder available
- Flexibility of wiring diagrams
- Different "click" or frictional feeling
- Metal or plastic shafts with different lengths: 12,5 - 46 mm (standard shafts protude: 23 mm)

EXAMPLE OF 11HE WITH 8 CONTACTS

Easy wiring with multiple plug (Rast 5) or single terminals 6,3 mm



2 - 14 positions

Standard double contact

Rating

16 A / 250 VAC - 10E3
 12 A / 400 VAC - 30E3
 0,25 A / 250 VAC - 30E3
 T150 °C

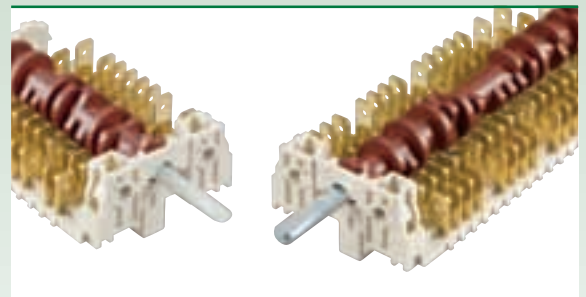
16 A / 250 VAC
 T120 °C

According to
 EN61058-1 standard



TYPICAL TERMINALS

- Single terminals
- Double terminals
- Chopped
- left
- center
- right



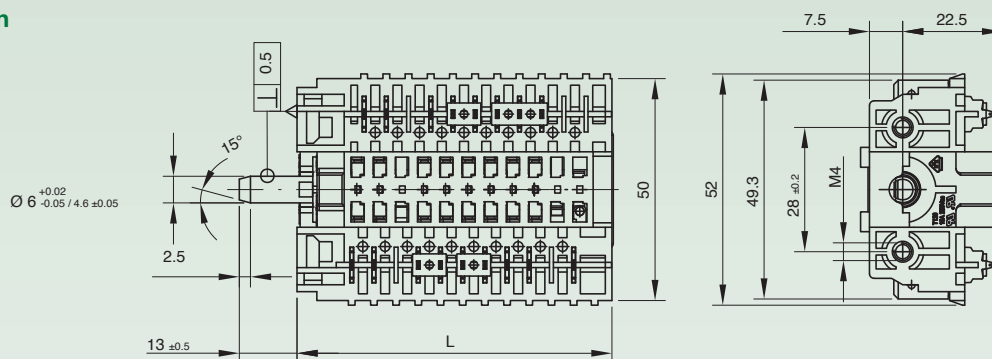
TYPES OF SHAFT

Plastic

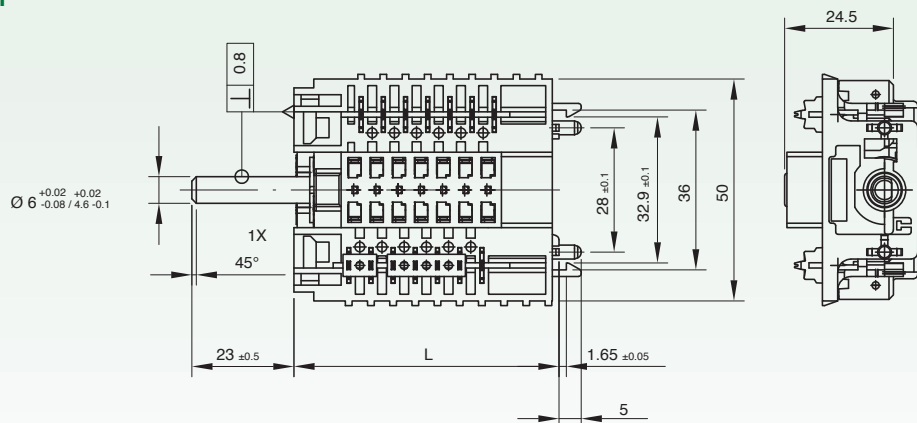
Metal

DIMENSIONS

Standard version



Thermostat version

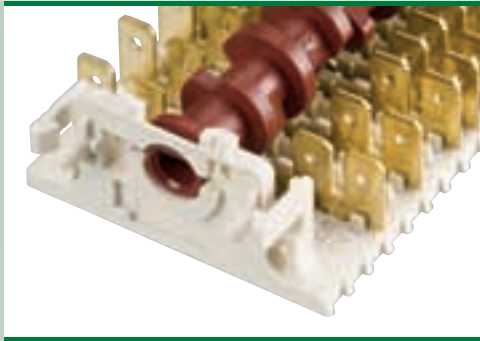


TECHNICAL FEATURES

Version	No. contacts	Length	
		L	L thermostat version
3HE	up to 3	30	38
5HE	up to 5	40	48
7HE	up to 7	50	58
11HE	up to 11	70	78
15HE	up to 15	90	98
19HE	up to 19	110	118

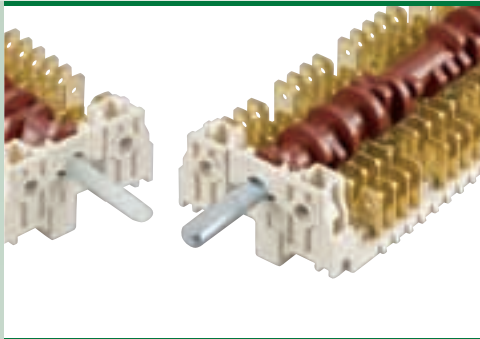
OPTIONS

Higher number of contacts, multiple versions, possibility to use accessories are the main features of HE series.



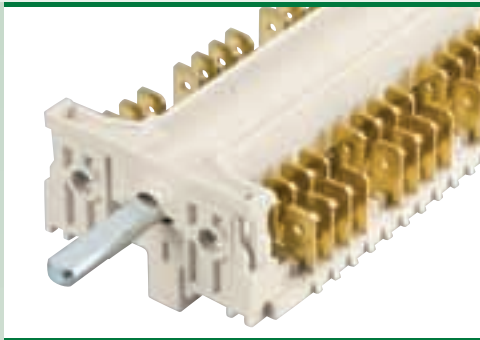
Body with accessory holder

- Possibility to use in conjunction with a capillary thermostat or an encoder



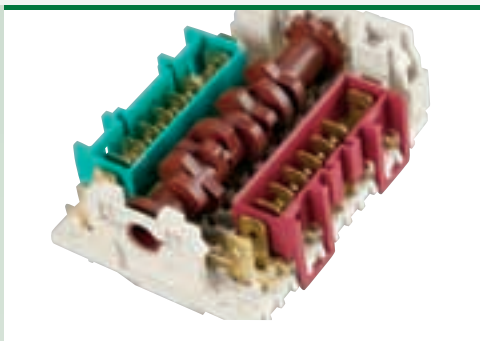
Shaft

- Metal or plastic shaft with length on demand (12.5 - 46 mm)
- Standard shaft length: 23.5 mm



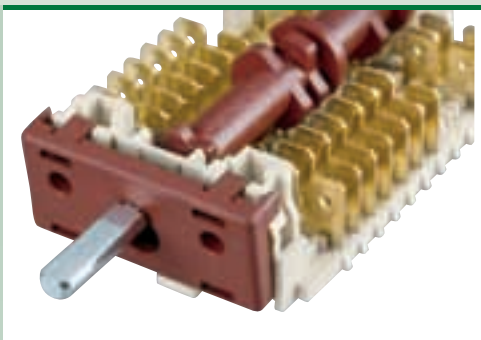
Cam cover

- Cam cover protects cam and contacts from dirt and waste of cooking.
- Note: cam cover is available for 11 and 19 versions.



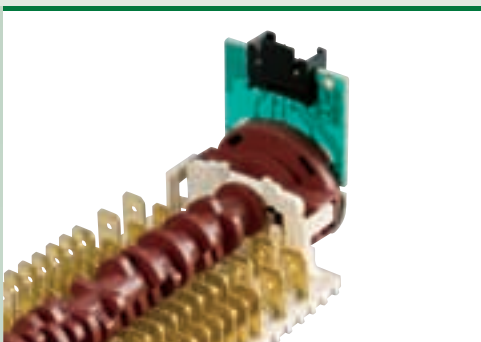
Terminal housing

- Various dimensions of terminal housing: for 2 - 4 - 6 connections.
- Terminal housing available only for single terminal version.



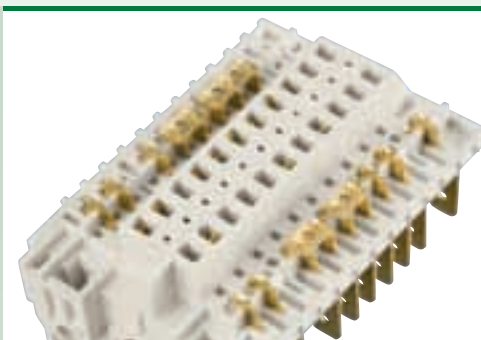
Child lock - push to turn feature

- Push to turn safety feature available.



Coupling with encoder

- HE series can be coupled to an electromechanical to control electrical and power signals.



Bridges

- The use of bridges between contacts increases range of combinations.
- For every line the number of bridges can vary between 0 up to 5.
- It can be joined up to 7 contacts.



5HE 7TAKT



TYPICAL APPLICATIONS	Hobs control
WIRING DIAGRAMAS	7 positions
GWFI	850 °C
GWIT	750 °C

Rotary switches with different mounting solution available, 7 positions, with electric rating up to 12A. Ideal for hobs control, with a terminal housing conjuncted to the body.

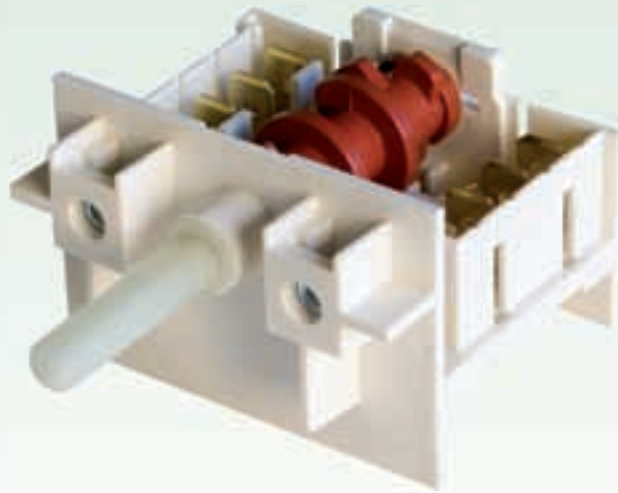
- Standard connecting with single terminals 6,3 mm
- Different mounting solutions available:
snap-in, nuts or screw fixing
- 30.000 cycles
- Pastic shafts with different lengths (16 - 31 mm)

Rating

12 A / 400 VAC 30E3
T150 °C

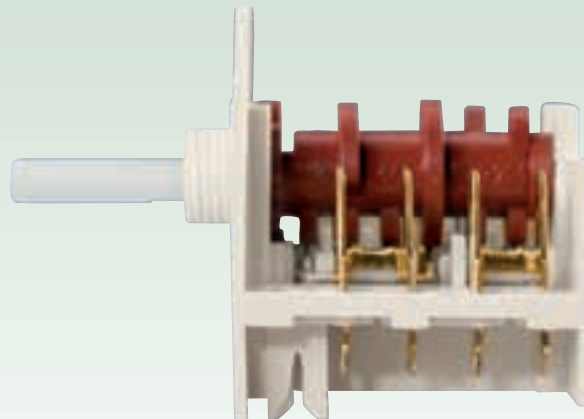
16 A / 250 VAC
T120 °C

According to EN61058-1
standard

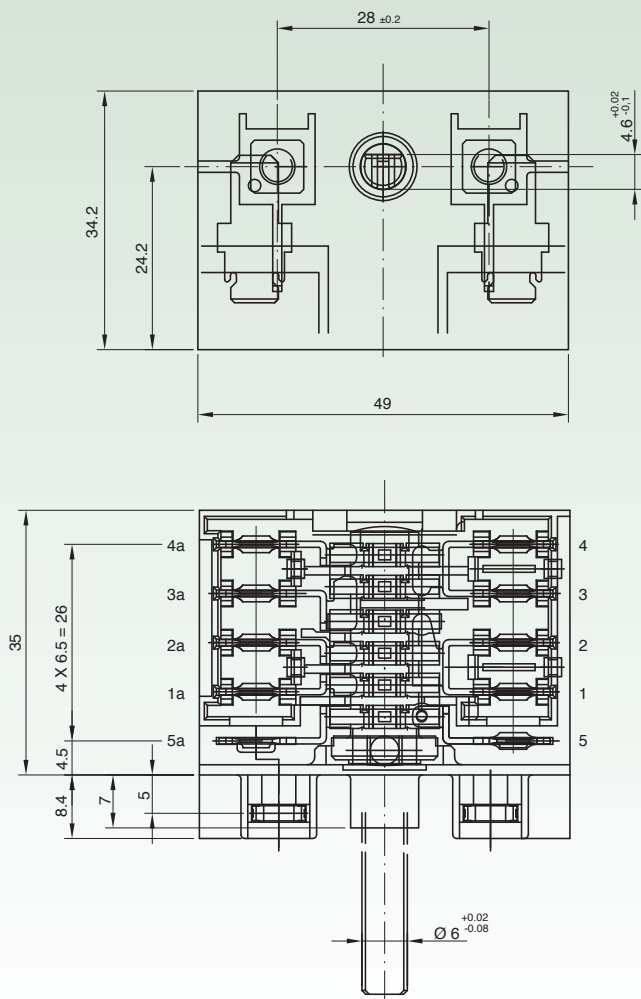


TECHNICAL FEATURES

Rast 6,5 multiple connection.



DIMENSIONS



CONTACT SEQUENCE

Pos.	Ang.	P3		P1		P2	
		5a	1a-2a	1a-2a	3a-4a	3a-4a	3a-4a
		5	1	1	3-3	4	
		5	2	2	3-3	4	
0	0°						
1	51,4°	■	■	■		■	■
2	102,8°	■		■		■	■
3	154,2°	■		■		■	
4	205,6°	■		■			■
5	257,0°	■			■		■
6	308,4°	■	■			■	

SOLUTIONS

Nut Fixing



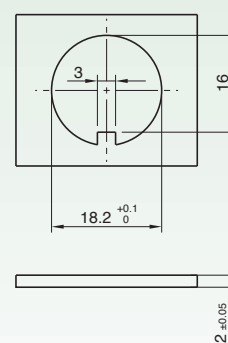
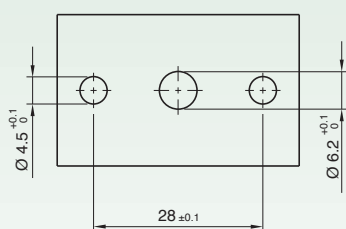
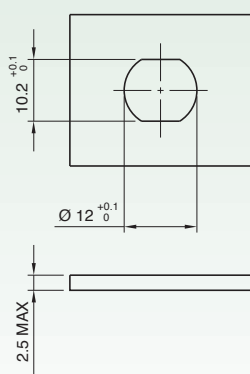
Screw fixing

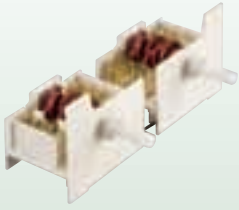


Snap-in fixing



CUT OUT





5HE 7TAKT DUO

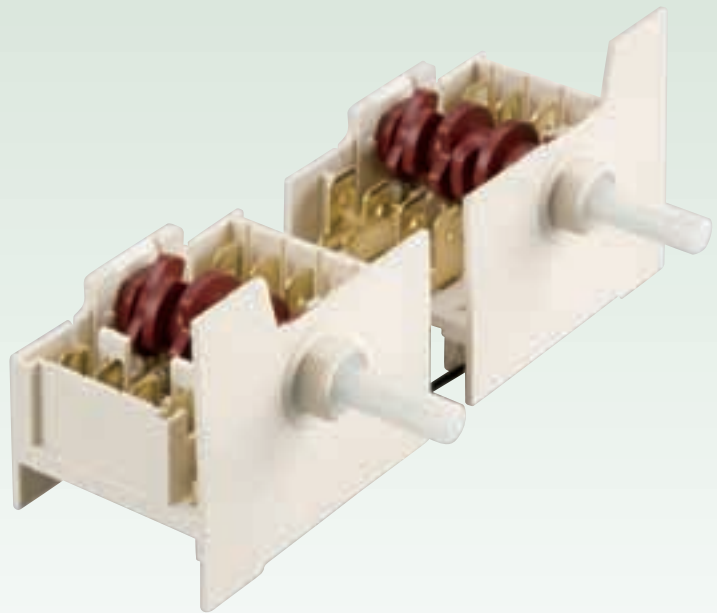


TYPICAL APPLICATIONS	Hobs control
WIRING DIAGRAMAS	7 positions
GWFI	850 °C
GWFI	750 °C

This series is composed of two 5HE 7TAKT rotary selectors, 3 different distances of axis available (55, 60 and 65 mm). Each selector has 7 positions, electric rating up to 12A and different mounting solutions. Duo block permits to make the wiring easier.

- Standard connecting with single terminals 6,3 mm
- Different mounting solutions available: snap-in, nuts or central mounting
- Metal or plastic shafts with different lengths
- Rast 6,5 multiple connection available
- Metal or plastic shafts with different lengths:
(16 - 31 mm)

EXAMPLE OF 5HE 7TAKT DUO WITH NUTS



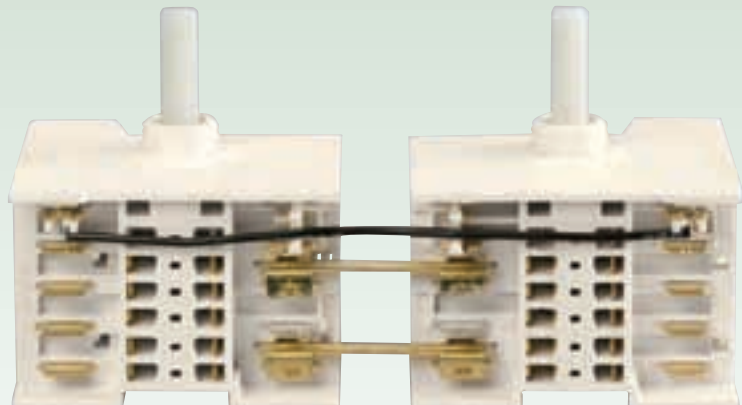
Rating
12 A / 400 VAC 30E3
T150 °C

16 A / 250 VAC
T120 °C

According to EN61058-1
standard

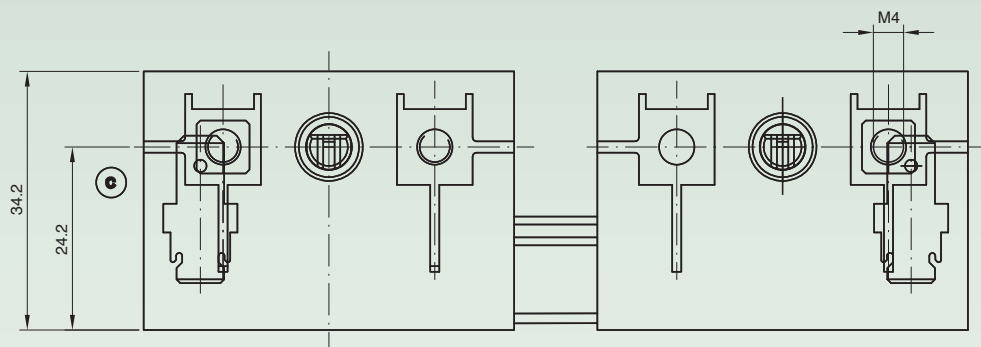
TECHNICAL FEATURES

Various distances of axis available:
55, 60 and 65 mm.

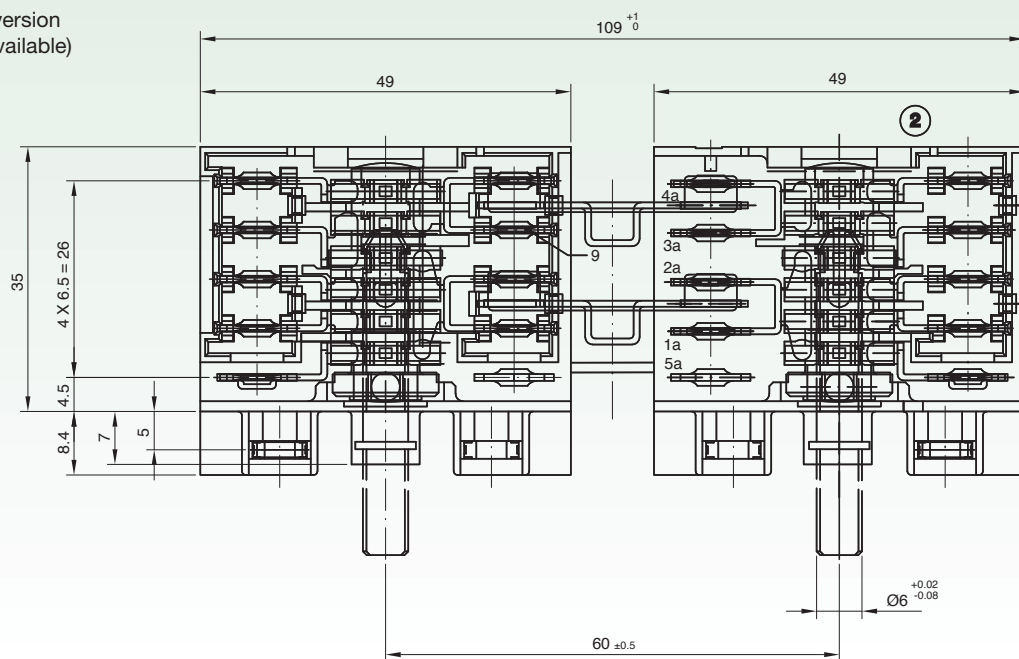


DIMENSIONS

Screw fixing version



60 mm interaxis version
(55 and 65 mm available)



CONTACT SEQUENCE

Pos.	Ang.	P3		P1		P2	
		5a	1	2	3-3	4	
0	0°						
1	51,4°	■	■	■	■	■	
2	102,8°	■		■	■	■	
3	154,2°	■			■		
4	205,6°	■		■		■	
5	257,0°	■			■	■	
6	308,4°	■	■		■		

Pos.	Ang.	5a		1a-2a		3a-4a	
		S	1	2	3-3	4	
0	0°						
1	51,4°	■	■	■		■	
2	102,8°	■		■		■	
3	154,2°	■		■		■	
4	205,6°	■		■		■	
5	257,0°	■			■	■	
6	308,4°	■	■			■	



HT

TYPICAL APPLICATIONS	Electric hobs in freestanding cookers
WIRING DIAGRAMS	2 standard positions rotary switch
GWFI	850 °C
GWIT	750 °C



7 positions rotary switch, ideal for electric hobs in freestanding cookers. M4 screw mounting and different shafts available. Special sequences with 4 - 5 - 6 positions are available.

- Terminals 6,3 mm
- M4 screw mounting
- Metal or plastic shafts
- With or without signal contact



Rating

12 A / 400 VAC - 30E3

T150 °C

16 (6) A / 250 VAC

T150 °C

According to EN61058-1 standard

OPTIONS

Metal or plastic shaft, with length on demand.

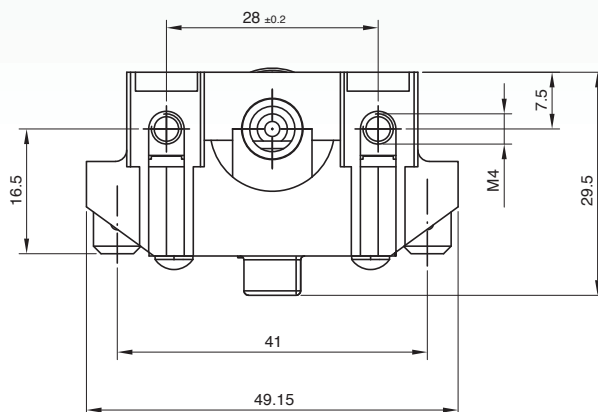
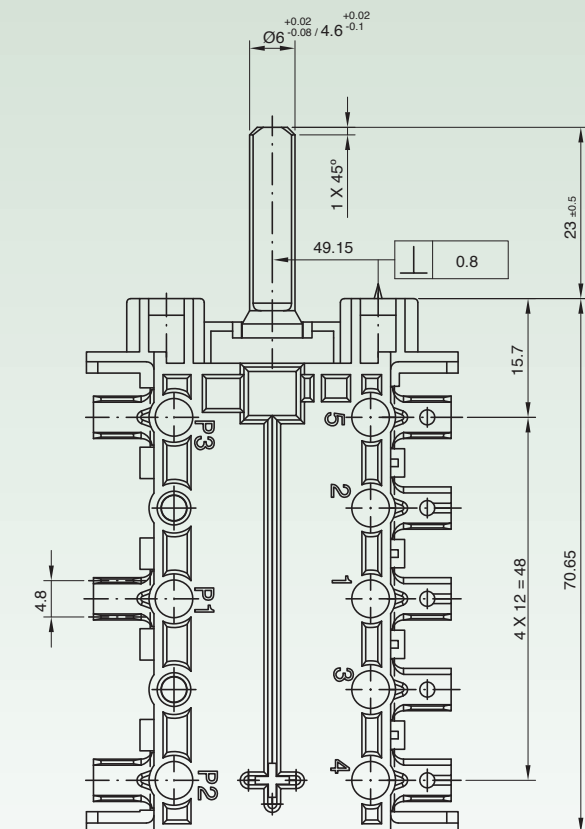
Metal shaft



Plastic shaft

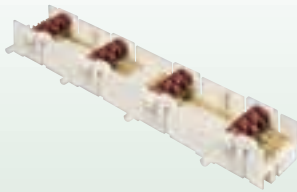


DIMENSIONS



EXAMPLE OF CONTACT SEQUENCE

Pos.	Ang.	5	2	1	3-3	4
		P3	P1		P2	
0	0°					
1	51,4°	■	■	■	■	■
2	102,8°	■	■		■	■
3	154,2°	■	■		■	
4	205,6°	■	■			■
5	257,0°	■			■	■
6	308,4°	■		■	■	

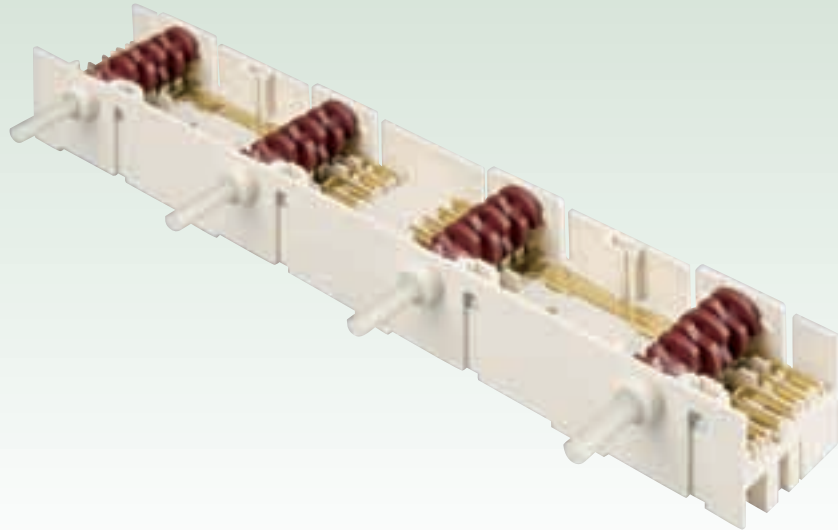


5HE 4 BLOCK

TYPICAL APPLICATIONS	Hobs control
WIRING DIAGRAMAS	7 positions
GWFI	850 °C
GWFI	750 °C



This solution integrates all wirings of four 5HE 7TAKT in a single body; robustness, compactness and easy mounting are its best features.



Rating
12 A / 400 VAC - 30E3
T150 °C

16 A / 250 VAC
T120 °C

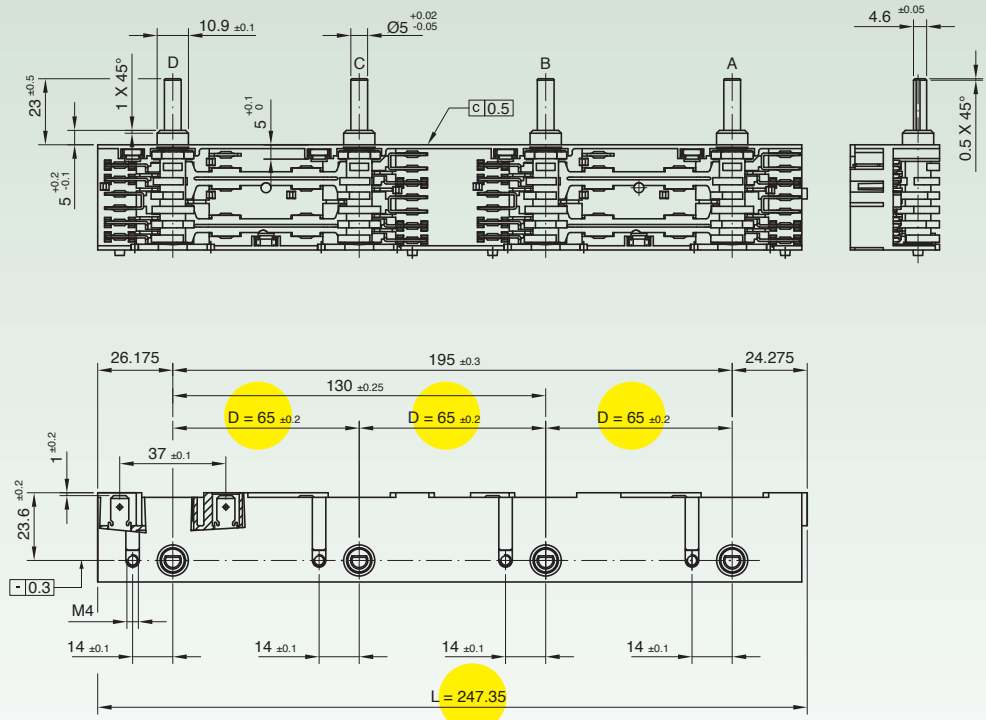
According to EN61058-1
standard

DIMENSIONS

2 versions:

L = 247.35
D = 65 ±0.2

L = 230.45
D = 60 ±0.2





CH

TYPICAL APPLICATIONS	Function selector switch
WIRING DIAGRAMAS	2 - 14 positions
CYCLE No.	Up to 30.000
AMBIENT TEMPERATURE	150 °C
GWFI	850 °C
GWFI	750 °C
ADDITIONAL FEATURES	<ul style="list-style-type: none"> ■ M4 screw mounting ■ 26 contacts version available



Thermostat version available

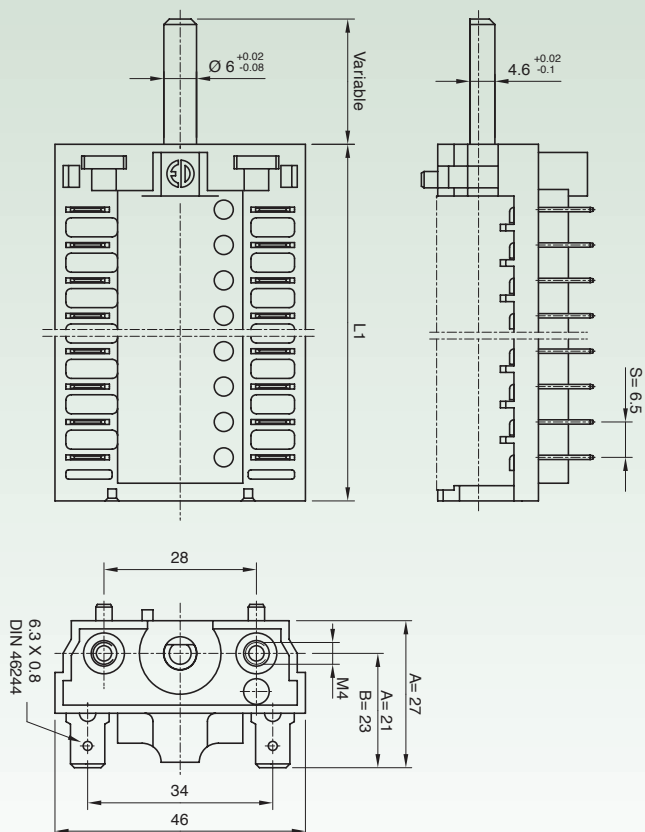
16 (6) A / 250 VAC - 30E3
 16 (8) A / 250-125 VAC - 10E3
 18 A / 250-125 VAC - 30E3
 12 A / 400 VAC - 30E3
 T150 °C

3/4 HP / 125 VAC
 18A / 250 VAC
 16A / 250 VAC
 T125 °C

According to EN61058-1 standard

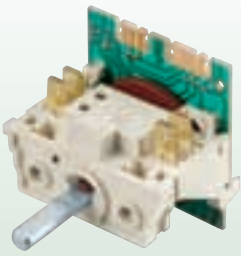


DIMENSIONS



CONTACT SEQUENCE

Basic Version					
Type	Contacts		L1		Version
	16(4)/250ac 6(2)/250ac	6(1.5)/250ac	S=7	S=6.5	
1-CH	1		29,5*		A
2-CH	2		25	36*	A
3-CH	3		32	33	A
4-CH	4		39	39.5	A, B
5-CH	5		46	46	A
6-CH	6		49,5		A
6-CH	6		53	52.5	A, B
7-CH	7		59		A, B
8-CH	8		67	65.5	A, B
9-CH	9		72		A
10-CH	10		81	78.5	A, B
11-CH	11		88	85	A, B
12-CH	12		95		A
13-CH	8	5	S=7	S=6	A
			97		



2CH with encoder



TYPICAL APPLICATIONS	Electronic and electrical function selector
WIRING DIAGRAMS	■ On demand
CYCLE No.	30.000
AMBIENT TEMPERATURE	85 °C
ADDITIONAL FEATURES	■ Solution combining selector and encoder functions, that allows to improve flexibility and compactness

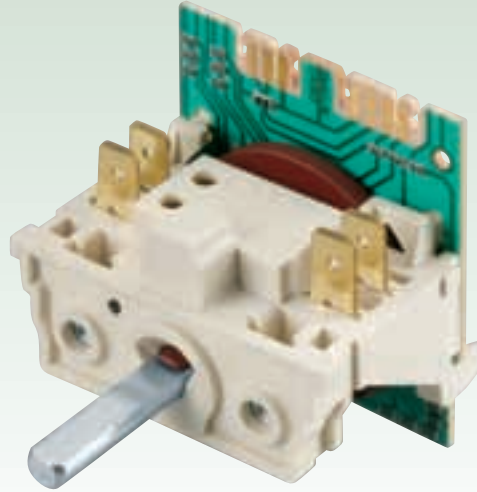
Solution combining selector and encoder functions, that allows to improve flexibility and compactness.

Rating

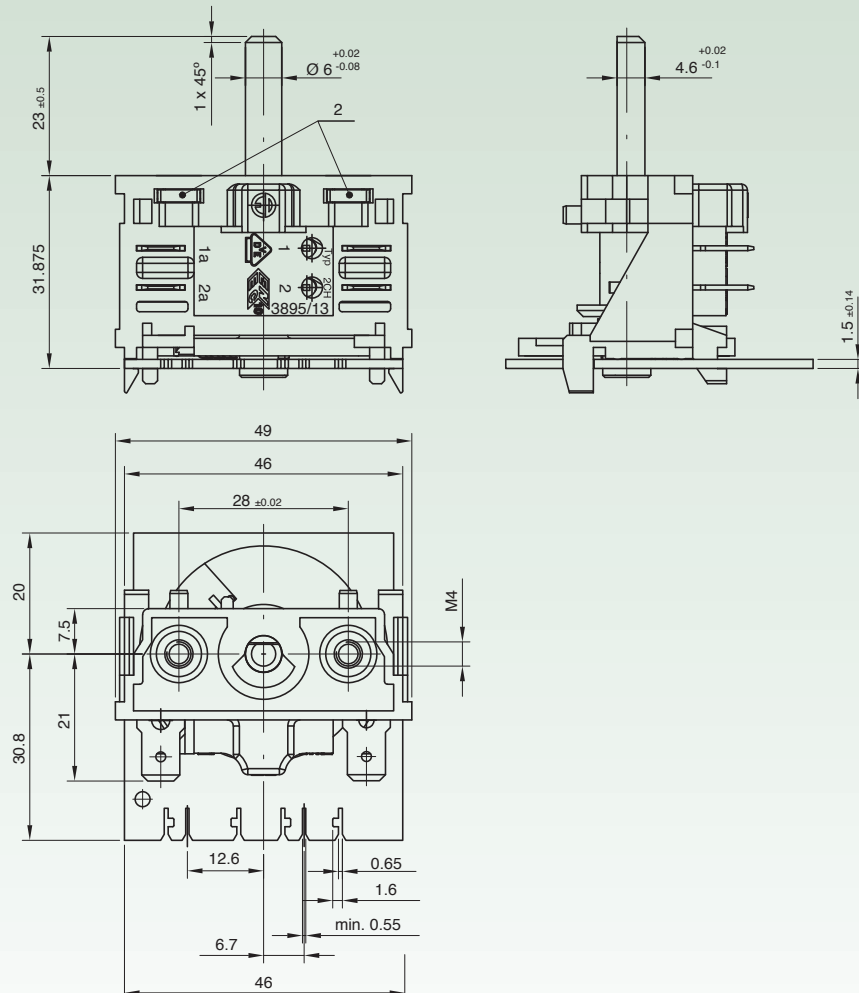
16 (6) A / 250 VAC
 10 (2) A / 400 VAC
 18 A / 250 VAC
 6 (4) A / 250 VAC
 T 150 °C

3/4 HP / 125 VAC
 16 A / 250 VAC
 13.8 A / 250 VAC
 T 85 °C

According to EN61058-1
 standard



DIMENSIONS



Codi

04



CS

181



CV

182

CODI



TYPICAL APPLICATIONS Electronic function selector
Washing machines and dishwashers

WIRING DIAGRAMAS

- 4-bit digital output
- Up to 32 positions
- BCD, Gray Code and resistor array selection

CYCLE NR 10.000

AMBIENT TEMPERATURE 105 °C

Designed with the special demands of today's electronic control applications in mind. Everel encoders provide an outstanding array of potential solutions.

Rating

0,1 A / 250 VAC
0,1 mA / 5 VDC
50 mA / 5 VDC
T 105 °C

ADDITIONAL FEATURES

- Golden contacts
- 360° with or without end stop
- Permitted angular tolerance: +/-2°
- 10.000 cycles
- Typical operating torque: 3.5 ± 1 Ncm
- Different connecting systems
- Different mounting solutions available, such as snap-in, twist-lock or screws
- Coupling with function selector switches

SOLUTIONS



Screw mounting CODI

The encoder can be fixed to panel with a screw or a nut.



Pin strip connector CODI

It allows to weld the encoder directly on the circuit board of the customer product without wiring.



M4 screw mounting CODI

The encoder can be fixed on the panel by two M4 screws.



Version without PCB for mounting on PCB

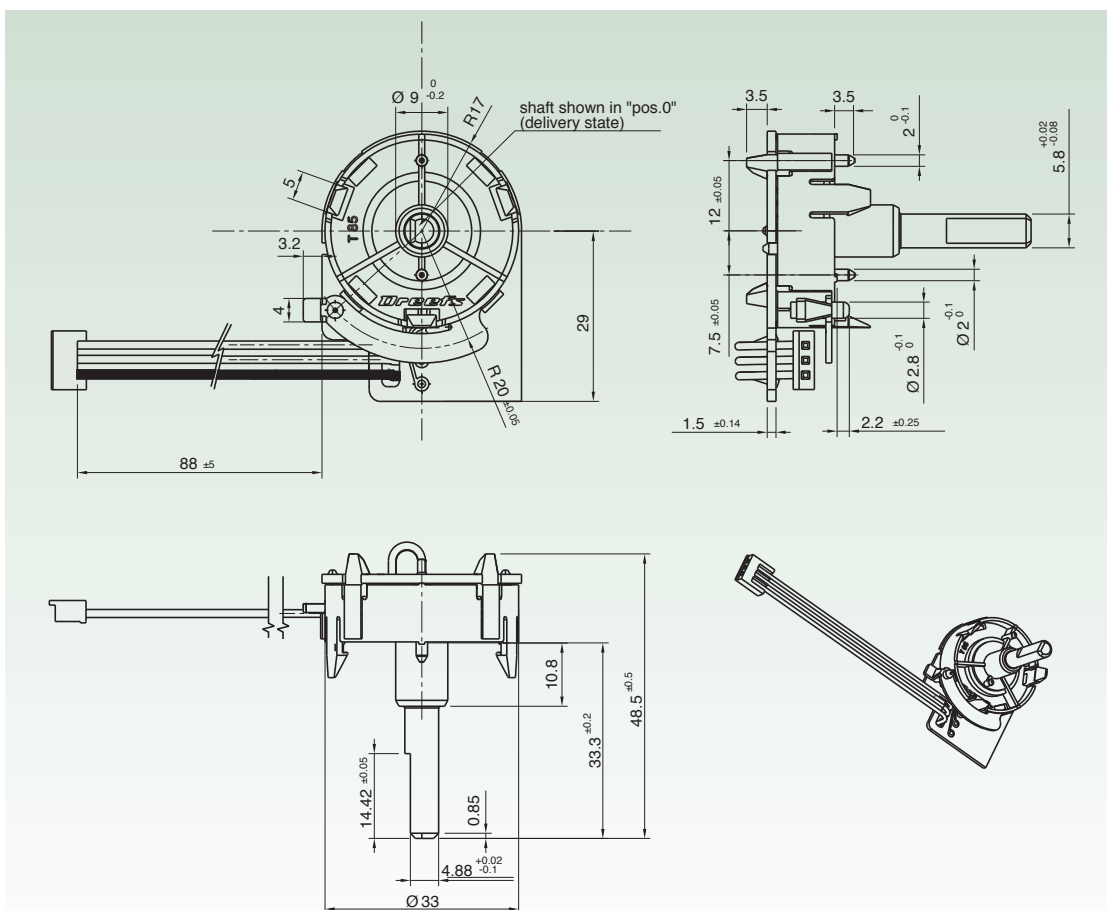
Everel can also supply only the electromechanical part of the encoder allowing the customer to define the board circuit.

CS

CS1

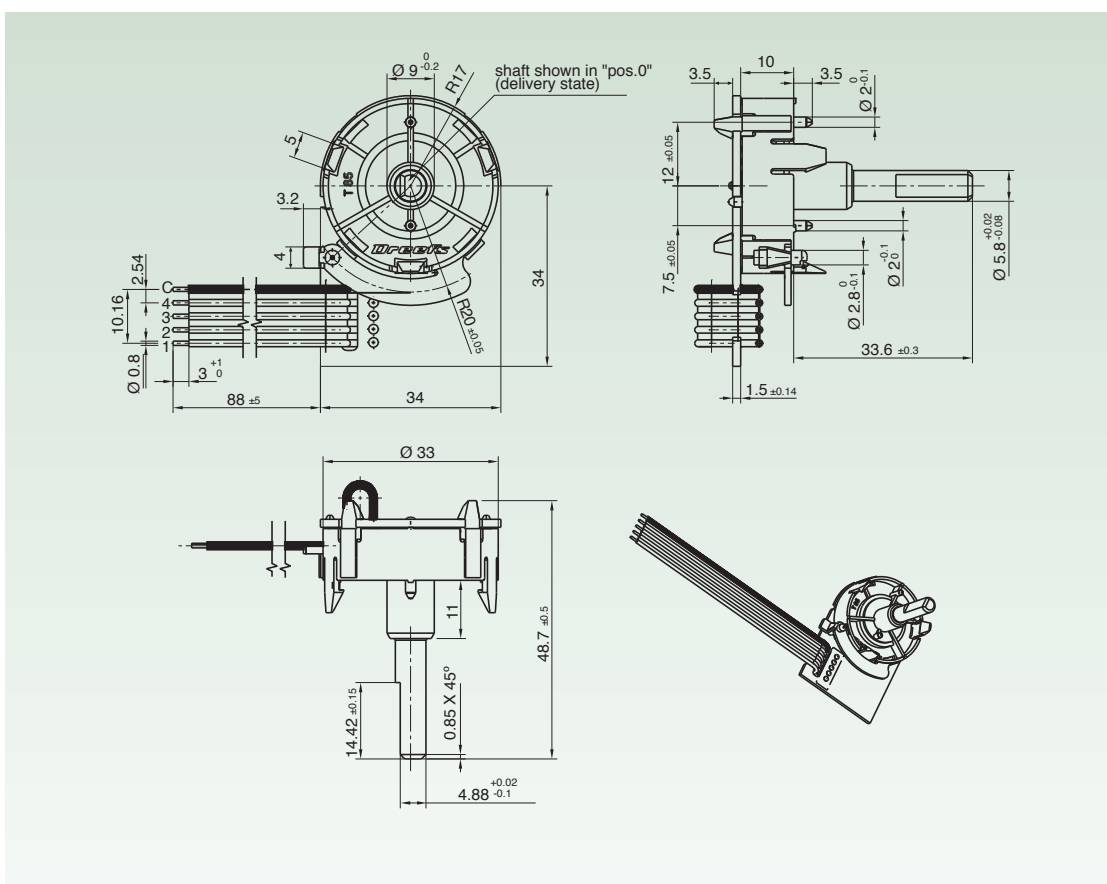


CODI	FIXING TYPE	H SHAFT (mm)	NUMBER OF POSITIONS
CS	Snap-in	■ 22,5	■ 16 P



MF encoder, standard body version with snap in fixing type or self snapping fixing type.

CS2



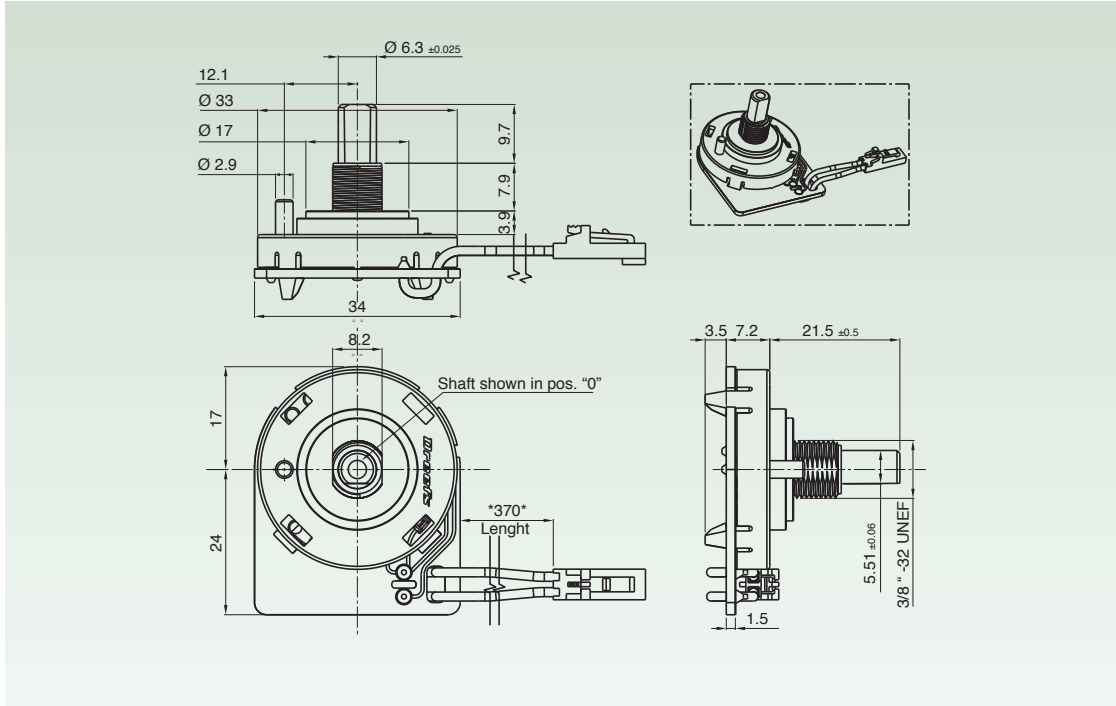
MF encoder, standard body version with snap in fixing type or self snapping fixing type.

CV

CV1

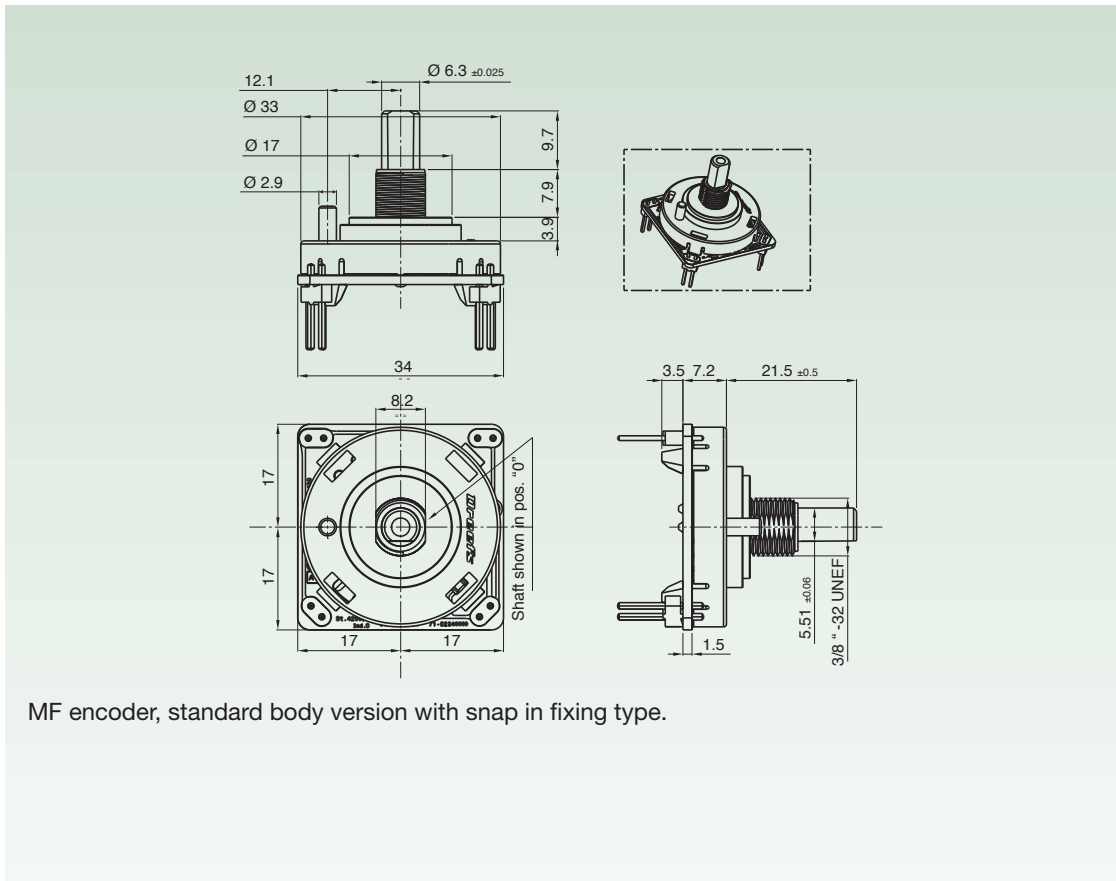


CODI	FIXING TYPE	H SHAFT (mm)	NUMBER OF POSITIONS
CS	Threaded ring	■ 9,7	■ 6 P + 180° free rotation



MF encoder, standard body version with snap in fixing type.

CV2



MF encoder, standard body version with snap in fixing type.

Minicodi

04



MS

187



MF

188



MB

188



MV

189



MK

190

MINICODI



TYPICAL APPLICATIONS	Electronic control for appliances
WIRING DIAGRAMAS	<ul style="list-style-type: none"> ■ 2-bit digital output (incremental function) ■ Up to 21 positions
CYCLE NR	10.000
AMBIENT TEMPERATURE	105 °C

Encoders display different dimensions and mounting systems on the control panel. Dimensions vary a lot depending on the different applications. MINICODI series as potentiometer can be coupled with selector switches.

ADDITIONAL FEATURES

- Golden contacts
- 360° with or without end stop
- Different mounting solutions available: snap-in or M4 screws or serf tapping screws
- Push to select version available
- Coupling with function selector switches
- Miniature encoder
- 2-bit digital output (incremental function)
- Typical use for analogical / resistive applications
- Permitted angular tolerance: +/- 2°
- End stops: ≥ 100 Ncm
- Operating torque: 0,3-9 Ncm
- Edge connectors

Rating

0,1 A / 250 VAC
 0,1 mA / 5 VDC
 50 mA / 5 VDC
 T 105 °C

MINICODI - INCREMENTAL ENCODER

The mechanical encoder with digital output are available in absolute or incremental code. The shaft rotation, in the incremental output, generates pulses that, sent to the microprocessor, determine a “relative” position. The counts of pulses continue with the rotation of the shaft, which allows the position to change infinitely, or as the microprocessor allow. Direction may be determined by analyzing difference between the two channels.

Example of incremental encoder configuration with gray code

De- tent	Ang.	Output		
		C	1	2
1	0°	■	■	
2	30°	■	■	■
3	60°	■		■
4	90°	■		
5	120°	■	■	
6	150°	■	■	■
7	180°	■		■
8	210°	■		
9	240°	■	■	
10	270°	■	■	■
11	300°	■		■
12	330°	■		

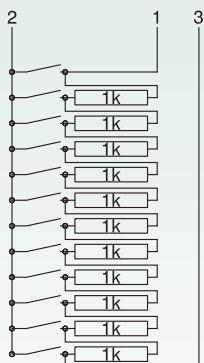
Example of incremental encoder obtained with momentary positions

Pos.	Ang.	Output	
		1	2
1 momentary	+30°	■	
0 stable	0		
2 momentary	-30°		■

MINICODI - POTENTIOMETER

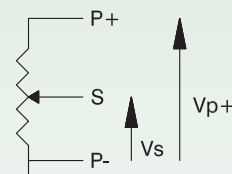
The potentiometer is a mechanical encoder with resistive analogical output. The potentiometer version can be implemented either using a continuous “carbon” layer or a resistor array. The potentiometer has a rotation that can be infinite or steps (positions). Push to select function available.

Potentiometer resistor array



Pos.	Ang.	2	
		1	3
1	0°	10K	11K
2	30°	1	10K
3	60°	2K	9K
4	90°	3K	8K
5	120°	4K	7K
6	150°	5K	6K
7	180°	6K	5K
8	210°	7K	4K
9	240°	8K	3K
10	270°	9K	2K
11	300°	10K	1K
12	330°	11K	10

Potentiometer carbon film



Value between P- and S		
Detent	Ang.	Output voltage %
1	0°	0%
2	35°	11%
3	70°	22%
4	105°	33%
5	140°	44%
6	175°	56%
7	210°	67%
8	245°	78%
9	280°	89%
10	315°	100%

endstop

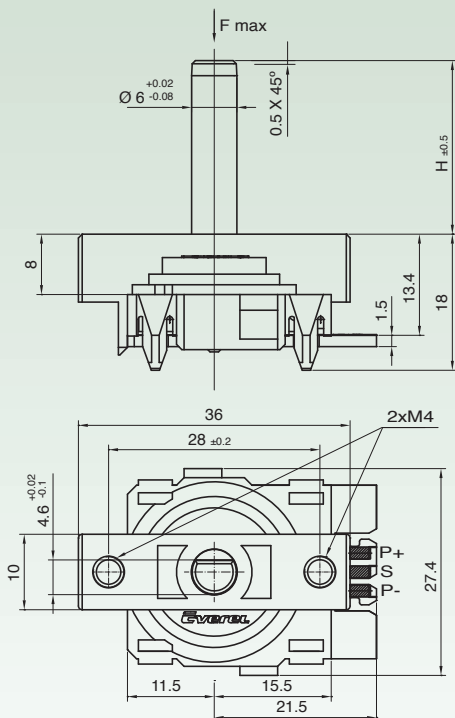
MS

MINICODI	FIXING TYPE	H SHAFT (mm)	NUMBER OF POSITIONS
MS1	Screw m4	<ul style="list-style-type: none"> ■ 11 ■ 13 	<ul style="list-style-type: none"> ■ Free rotation 360° ■ Free rotation with mechanical stop
MS2	Self tapping screw	<ul style="list-style-type: none"> ■ 16 ■ 18 ■ 20,4 ■ 23 	<ul style="list-style-type: none"> ■ Positions number: min. 2 - max 21 with or without mechanical stop ■ Double momentary

MS1



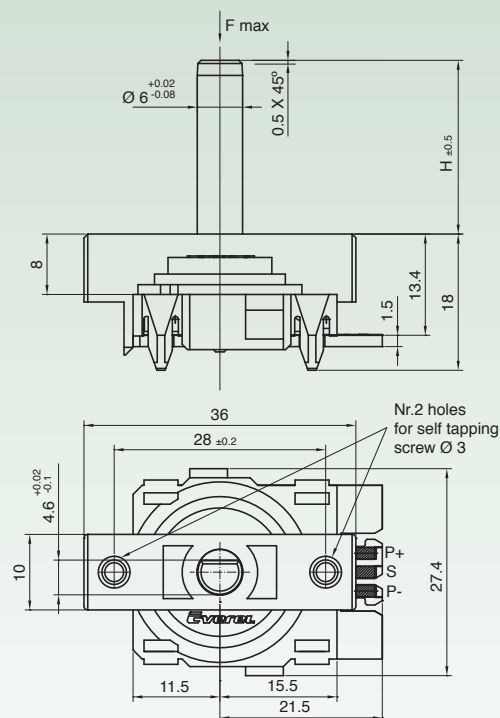
MS1



MS1 encoder, body standard version with M4 screw fixing type.

MS2

MS2

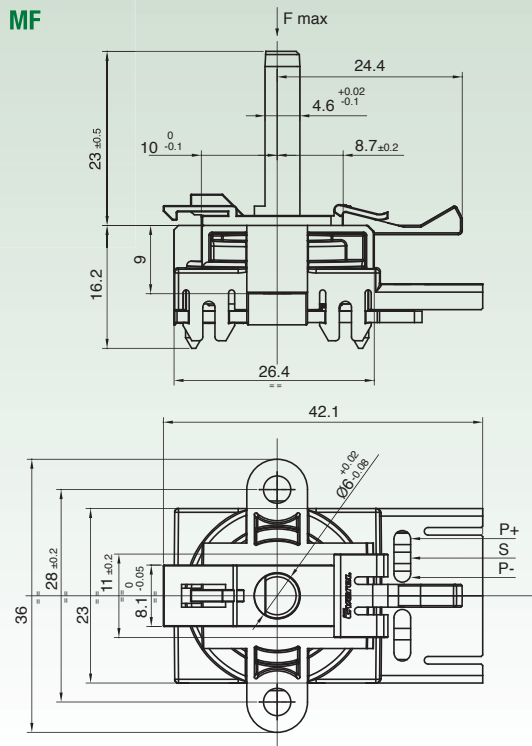


MS2 encoder, body standard version with self tapping screw fixing type.

MF



MINICODI	FIXING TYPE	H SHAFT (mm)	NUMBER OF POSITIONS
MF	<ul style="list-style-type: none"> ■ Self tapping screw ■ Snap in 	<ul style="list-style-type: none"> ■ 23 	<ul style="list-style-type: none"> ■ 3 P ■ 6 P ■ 8 P ■ 10 P ■ 12 P

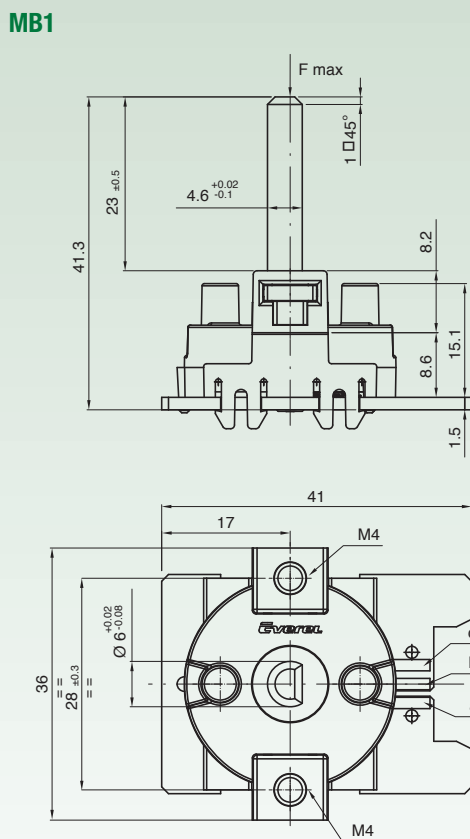


MF encoder, version with snap in fixing type or self tapping fixing type.

MB

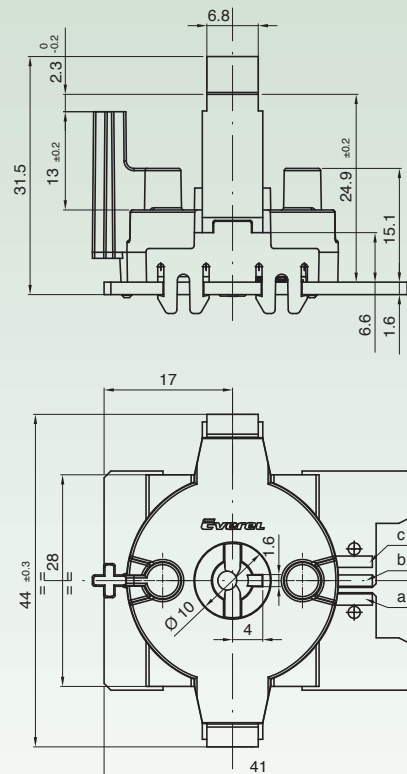
MINICODI	FIXING TYPE	H SHAFT (mm)	NUMBER OF POSITIONS
MB1	Screw m4	<ul style="list-style-type: none"> ■ 13,7 cross ■ 23 	<ul style="list-style-type: none"> ■ Free rotation with 1 position at 0° ■ Free rotation with 20 positions
MB2	Snap in		

MB1



MS1 encoder, version with M4 screw fixing type.

MB2



MS2 encoder, version with snap in fixing type.

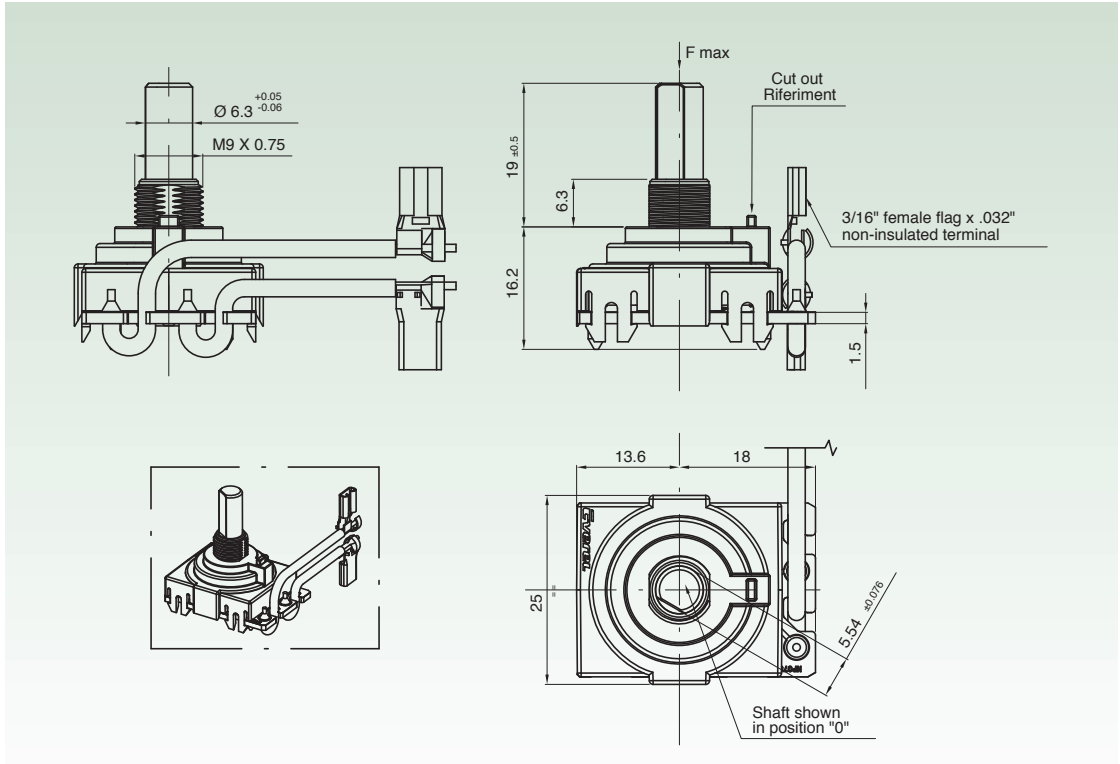
MB2



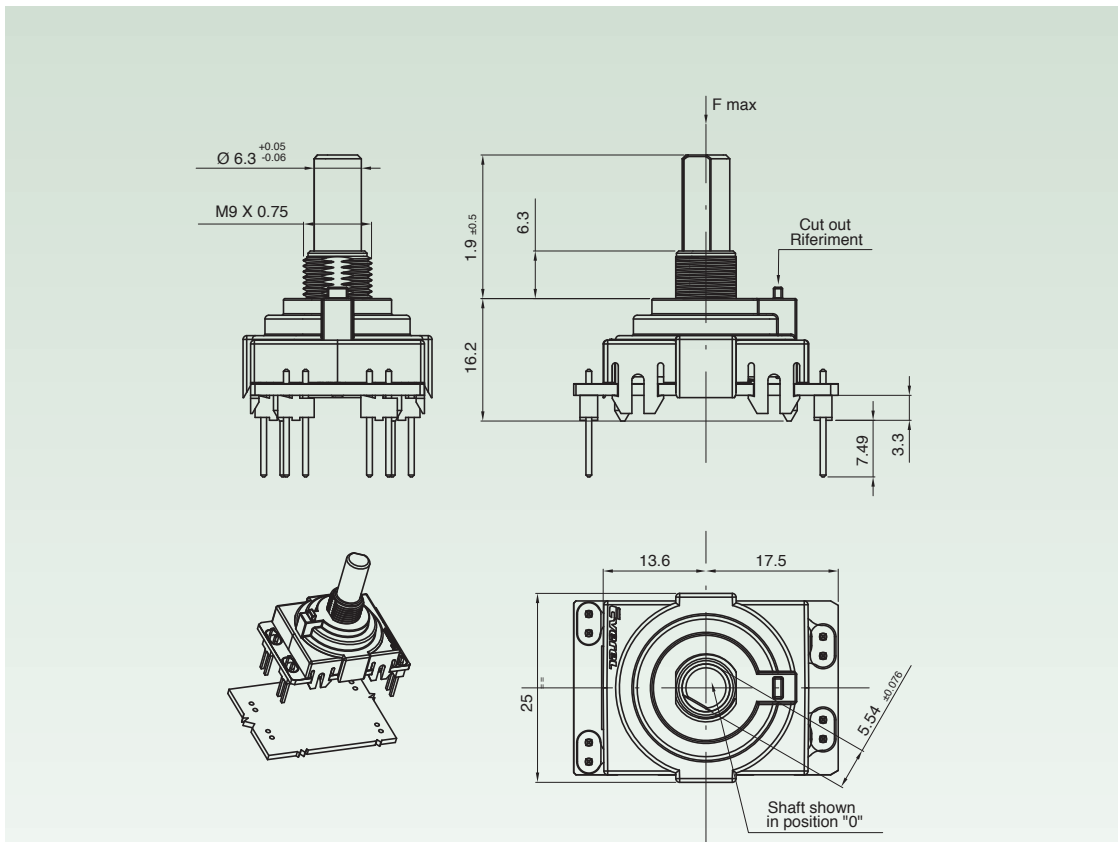
MV1



MINICODI	FIXING TYPE	H SHAFT (mm)	NUMBER OF POSITIONS
MV1	Threaded ring	■ 12,7	■ Free rotation 360° with stop
MV2	Soldering pin		



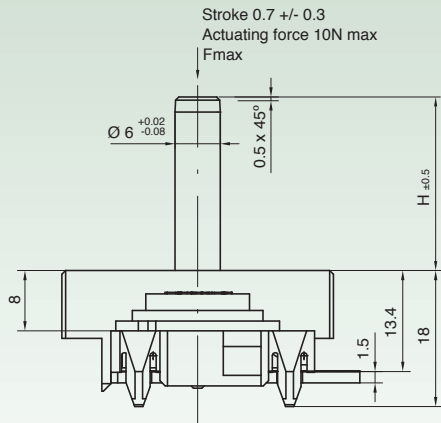
MV2



MK

MINICODI	FIXING TYPE	H SHAFT (mm)	NUMBER OF POSITIONS
MK1	Screw m4	<ul style="list-style-type: none"> ■ 13 ■ 18,7 	<ul style="list-style-type: none"> ■ 21 positions free rotation
MK2	Self tapping screw	<ul style="list-style-type: none"> ■ 23 ■ 24 	<ul style="list-style-type: none"> ■ 20 positions free rotation ■ Double momentary

SHAFT



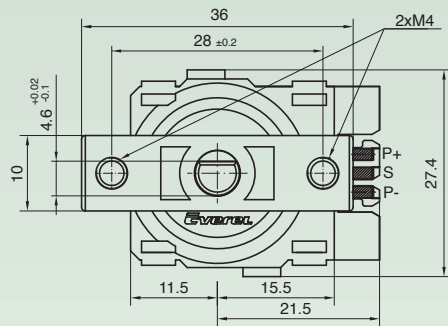
PUSH TO SELECT

The push to select accessory is used to select a scroll menu function and to confirm the selected value (i.e. temperature).

MK1



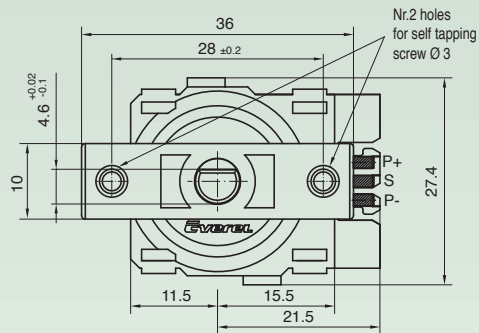
MK1



MK1 encoder, version with M4 screw fixing type.

MK2

MK2



MK2 encoder, version with self tapping screw fixing type.

Motors

05



**Shaded Pole
Motor Ø 52**

194



**Shaded Pole
Motor Ø 58**

196



**Fans
and Accessories**

198



EC Brushless Motor

200



SHADED POLE MOTOR Ø 52

FEATURES

Motor life: from 3.000 hours (brass bearings) to 30.000 hours (ball bearings)

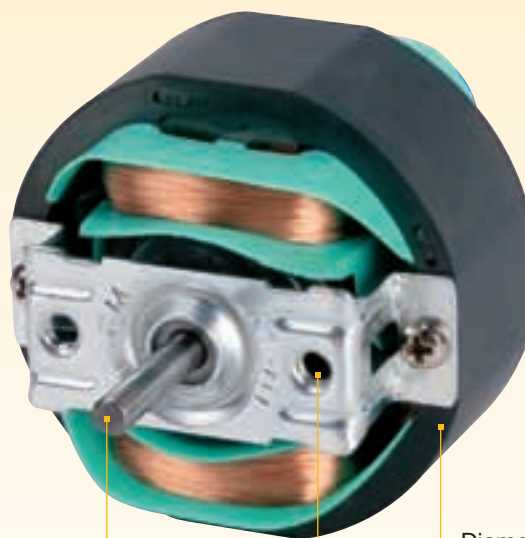
Heat and fire resistance version available
GWIT 775 °C

2-speed version available

Class of insulation according to IEC 85: B or F

Voltage: 12 - 110 - 230 - 240 VAC

Ideal for reduced space, they are available in a wide range of versions and they are featuring high electromagnetic efficiency. This allows Giem to meet several application requirements: ventilators, fan heaters, air cleaners, and humidifiers



Diameter: 52 mm

Shaft diameter 4 mm;
clock-wise and counter clock-wise

Fixing holes threaded M4

OPTIONS



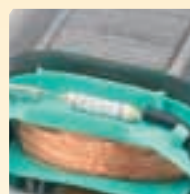
Shaft can be smooth, milled or with grooves with length on demand



Brass bearings or ball bearings



Stack height from 16 to 30 mm



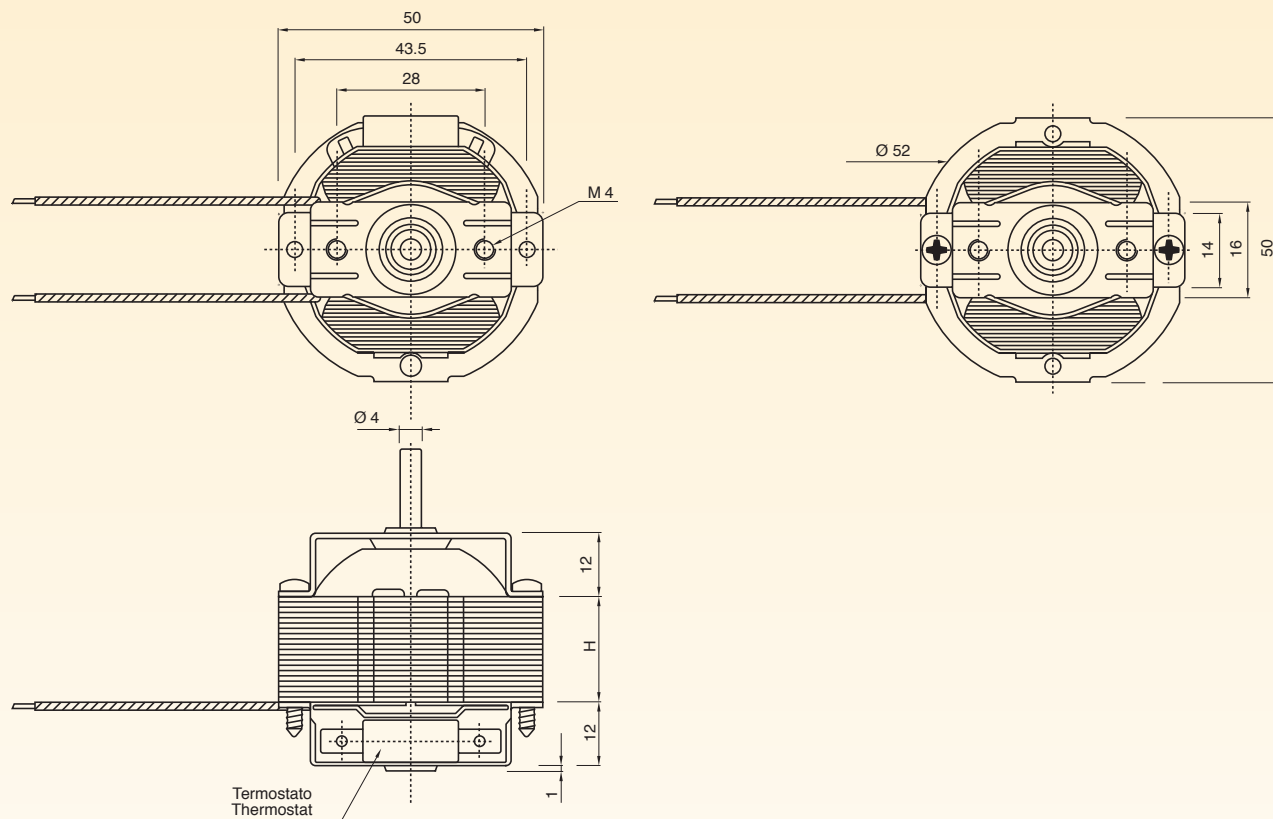
Fuse



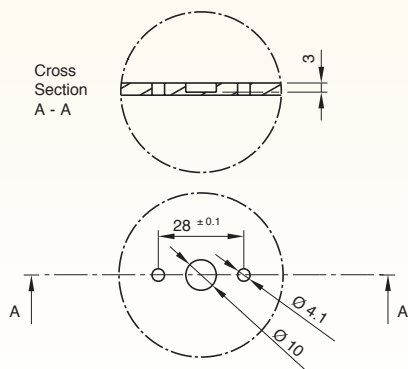
Thermostat

Motors protected by motor impedance or thermal protected by fuse or thermostat (autoreset or PTC)

DIMENSIONS

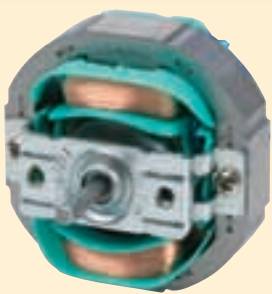


CUT OUT



TECHNICAL FEATURES

Stack height (H) mm	Power absorption W		
	Low consumption version	Normal version	Powered version
16	8	15	25
20	10	20	25
25	15	20	30
30	20	30	40



on demand

SHADED POLE MOTOR Ø 58

FEATURES

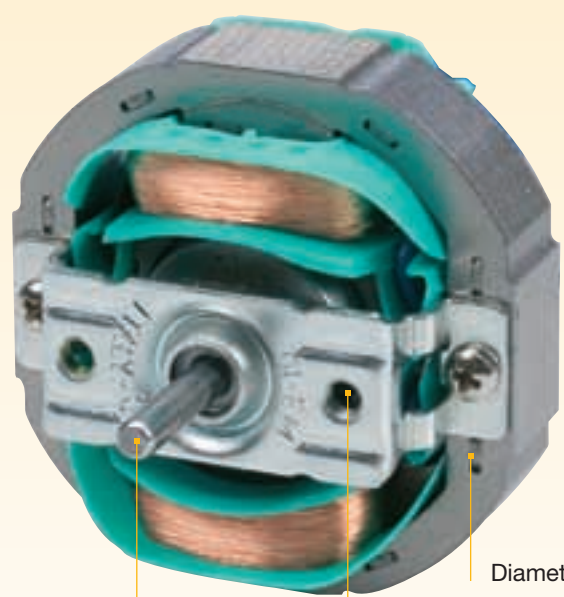
Motor life: from 3.000 hours (brass bearings) to 30.000 hours (ball bearings)

Heat and fire resistance version available
GWIT 775 °C

2-speed version available

Class of insulation according to IEC 85: B or F

Voltage: 12 - 110 - 230 - 240 VAC



Shaft diameter 4 mm;
clock-wise and counter clock-wise

Diameter: 58 mm
Fixing holes threaded M4

OPTIONS



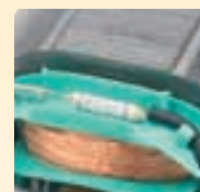
Shaft can be smooth, milled or with grooves with length on demand



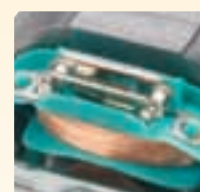
Brass bearings or ball bearings



Stack height from 16 to 30 mm



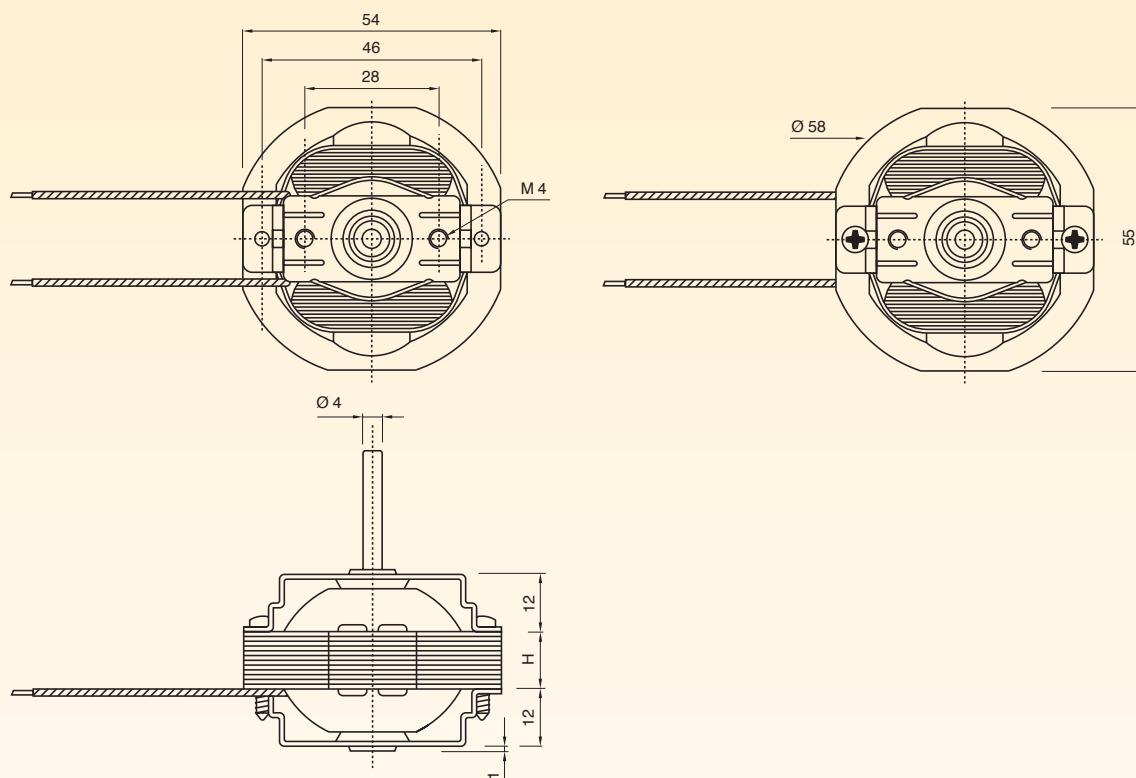
Fuse



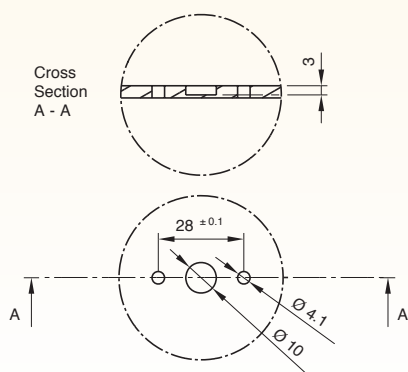
Thermostat

Motors protected by motor impedance or thermal protected by fuse or thermostat (autoreset or PTC)

DIMENSIONS



CUT OUT



TECHNICAL FEATURES

Stack height (H) mm	Power absorption W		
	Low consumption version	Normal version	Powered version
12	8	15	25
16	10	20	30
20	15	25	30
25	15	25	35
30	20	30	40
35	20	35	50

FANS AND ACCESSORIES

AVAILABLE FOR SHADED POLE MOTORS Ø 52 AND Ø 58

FEATURES

Wide offer of fans, with different colours, materials and dimensions for motors Ø 58 and Ø 52

Forcing and suction version

Nylon or aluminum

Snap-in mounting without tools on Ø 4 mm shaft

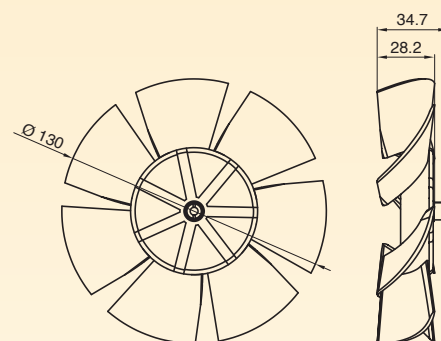


PLASTIC 7-BLADES FAN

Material: Nylon
Colour: Black
Diameter: 130 mm

Code

GM1VN01A00

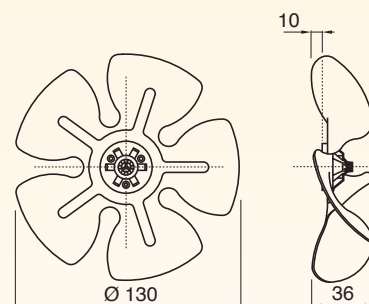


METAL 5-BLADES FAN

Material: Aluminum
Colour: Glossy
Diameter: 130 mm

Code

GMVKW52002



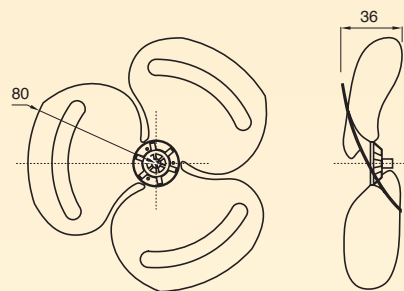


METAL 3-BLADES FAN

Material: Iron sheet
 Colour: Black
 Diameter: 156 mm

Code

GMVTR51004

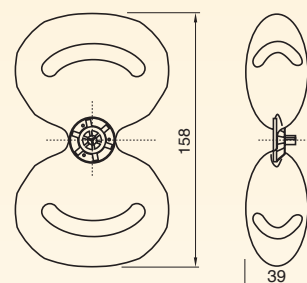


METAL 2-BLADES FAN

Material: Plastic, aluminum
 Colour: Black
 Diameter: 158 mm

Code

GMVCD51001



CENTRIFUGAL PLASTIC FAN

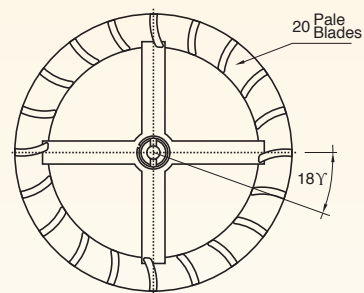
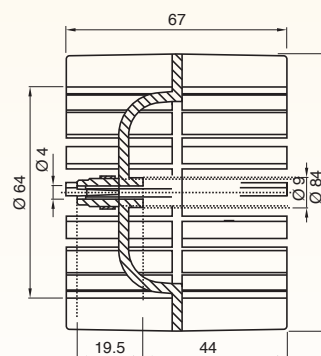
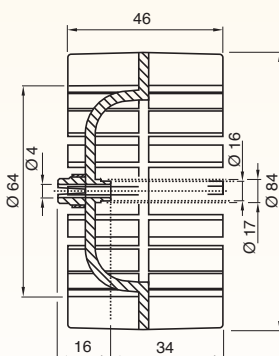
Material: Nylon
 Colour: Black
 Diameter: 84 mm
 Height: 46 mm / 67 mm

Code (h. 46)

GMVDD00010

Code (h. 67)

GMVXX03020



EC BRUSHLESS MOTOR



**EXTREMELY SILENT
LOW ENERGY CONSUMPTION
HIGH PERFORMANCE**

RATED VOLTAGE	230 VAC (-15%; +10%)
INSULATION CLASS	F
RATED MECHANICAL POWER	1,2 W
RATED ELECTRIC POWER	6,7 W
MOTOR EFFICIENCY	18%
WITHSTAND VOLTAGE	1800 V
TORQUE DIRECTION	CW
NUMBER OF POLES	2
DRIVE	Half bridge
MAX SPEED	3.000 rpm
PROTECTION	Thermostat 100 °C
OPERATING TEMPERATURE	-5 °C / +40 °C
NOTE	Shaft lenght: on request Wires color: on request

Everel has released the Performance and Performance Plus EC brushless motors series.

The Performance Plus version, which integrates more advanced electronics, allows the control of motor speed and the possibility of reversing the rotation; it also can be din integrate the same board with humidity sensor, presence sensor, and timer.

- Energy saving: up to 70% compared to traditional motor
- Integrated electronic
- Power supply 230 VAC / 1 / 50-60
- Same dimensions and cut-out of standard motors (diameter 58 mm)
- Performance Plus version: humidity sensor, presence sensor, timer, lighting mgmt, firmware customization



OPTIONALS



Shaft can be smooth, milled or with grooves with length on demand

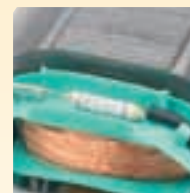


Brass bearings or ball bearings



Stack height from 12 to 35 mm

Fuse



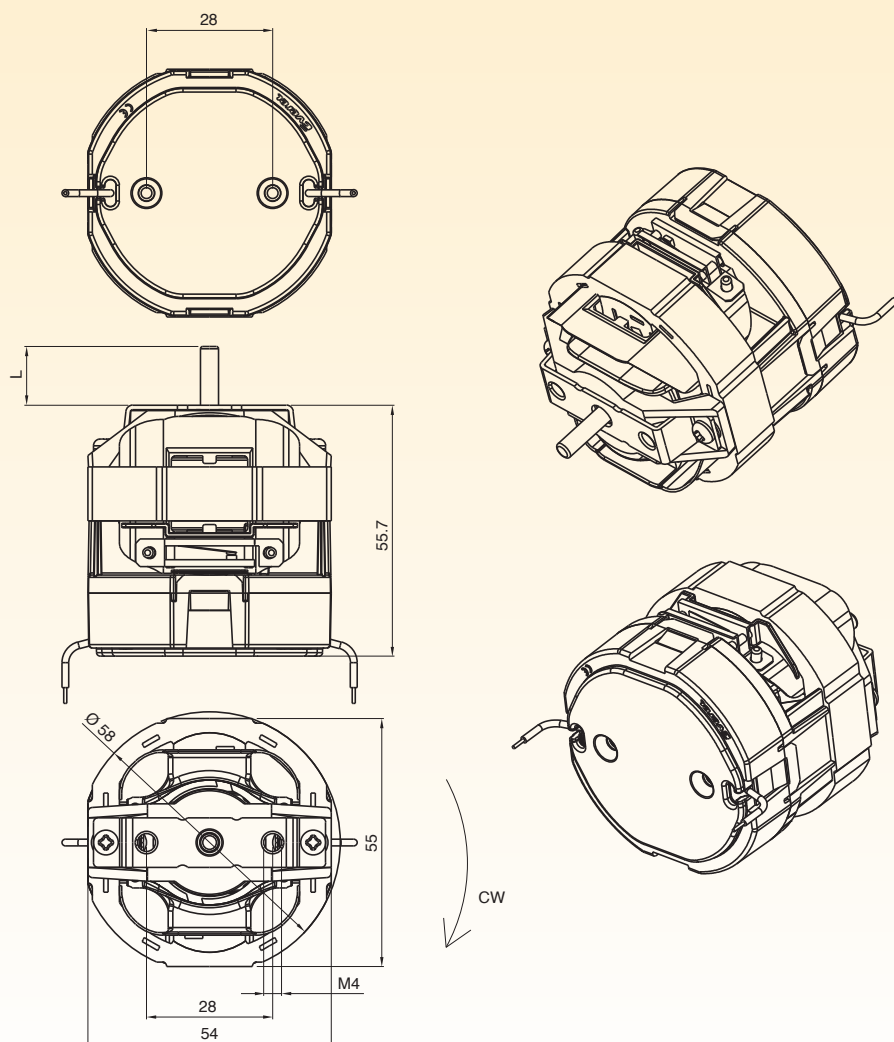
Motors protected by motor impedance or thermal protected by fuse or thermostat (autoreset or PTC)

Thermostat



DRAWING

(Performance version)

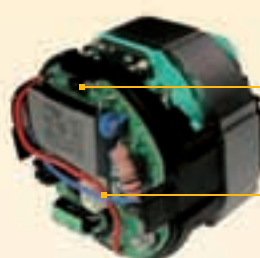


Different covers available

TECHNICAL FEATURES**PERFORMANCE**

Integrated electronic and power supply board

Installation from electronic side available

PERFORMANCE PLUS

Timer management

Humidity sensor connector
Speed control
Presence sensor connection**New SELV version 12 V available**

SELV: Safety Extra Low Voltage

Stack height (H) mm	Power absorption W	Shaft Power W
12	6,5 ... 11	1,3 ... 2,2
16	7,5 ... 12	1,9 ... 3
20	8,5 ... 13	2,2 ... 3,3
25	9,5 ... 15	2,8 ... 4,5
30	10,5 ... 17	3,1 ... 5,1
35	11,5 ... 20	3,4 ... 6

Stack height (H) mm	Power absorption W	Shaft Power W
12	5 ... 8	1,5 ... 2,4
16	6 ... 9	2,1 ... 3,1
20	7 ... 10	2,4 ... 3,5
25	8 ... 12	2 ... 4,2
30	9 ... 14	3,2 ... 4,9
35	10 ... 17	3,5 ... 6

Ventilation Units

05



Ventilation Blower

204



Axial Blower

205



Centrifugal Blowers

206



Axial/Tangential Blower

208



Fan Blower 50 mm deep

209



Centrifugal Blower to exhaust cooking vapours

210



Ventilation Unit for Oven

211



Dishwasher Cooling Ventilation Unit

212



PATENTED



VENTILATION BLOWER

WITH SNAP-IN MOUNTING

FEATURES

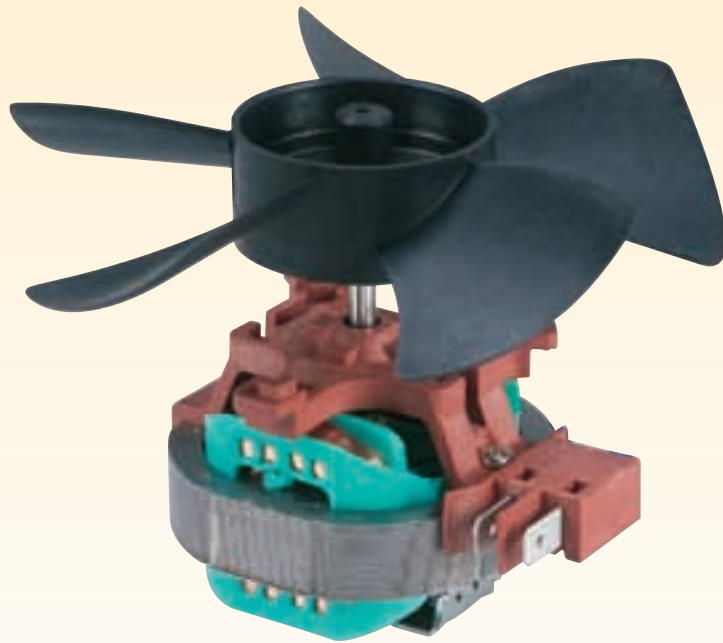
Easy mounting without tools

Forcing or suction fan available

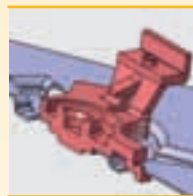
Motor \varnothing 58

Special plastic flange with easy fastening system

Ventilation blower consisting of motor with fan, with an easy fastening system. Efficient and silent, it is suitable to be used in every ventilation and cooling solutions.



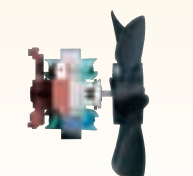
OPTIONS



Snap-in mounting
example

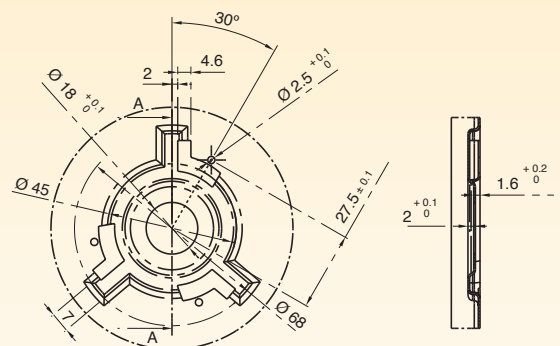


Quick
connection 6.3



Snap-in
backmounting
solution

CUT OUT





AXIAL BLOWER

FEATURES

Class of insulation: F

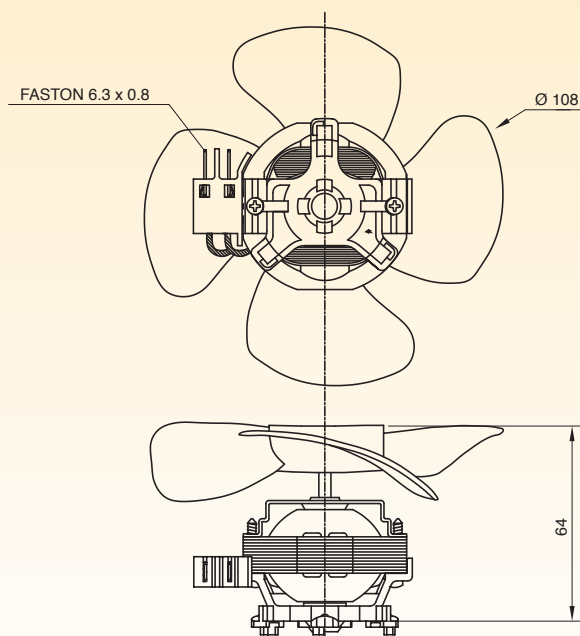
Motor \varnothing 58 with quick connection
6.3 mm + 4 blades-fan

Mounting system: fastening system
without tools

Endurance test 3000 h /120 °C



DRAWING





CENTRIFUGAL BLOWERS

COMMON FEATURES

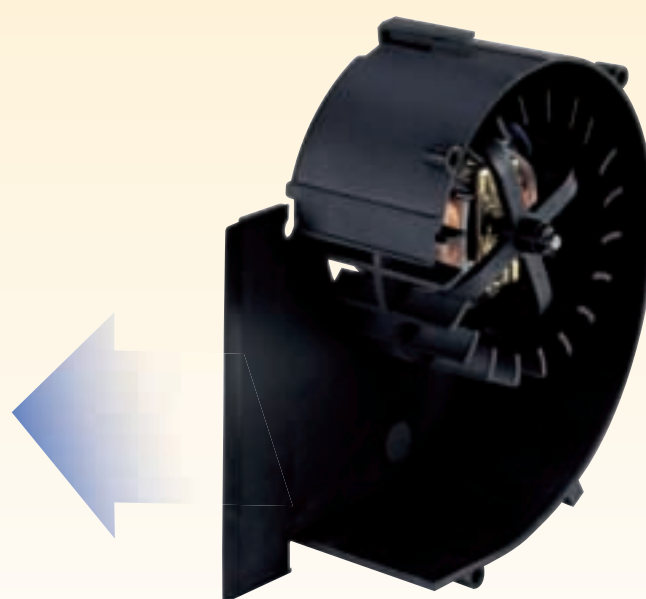
Voltages from 100 to 240 VAC - 50/60 Hz

Blower output up to 70 m³/h (up to 41 CFM)

Ideal for oil radiators and electric convectors

Ventilator blowers consisting of a motor with centrifugal fan inserted in an archimede an screw which. Besides guaranteeing stable pressure and volume of the conveyed air in output, it also provides the highest possible pressure. Efficient and silent, it is suitable for turbo convectors, ventilation in general and for the cooling of electronic appliances and office machines applications.

GMR



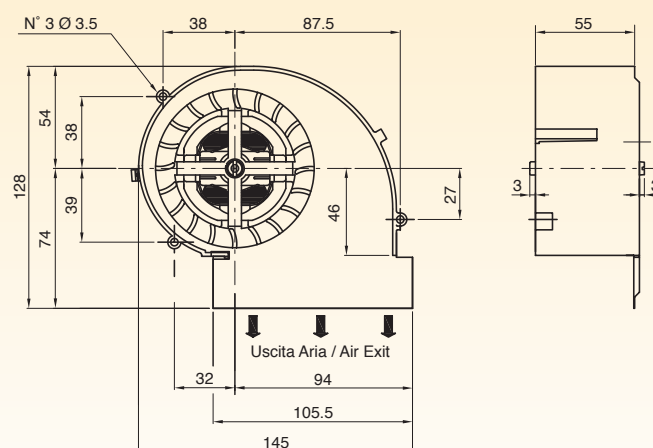
FEATURES

PA centrifugal fan

Housing of PA-FG with lateral screw fixing

Fan diameter: 84 mm

DRAWING





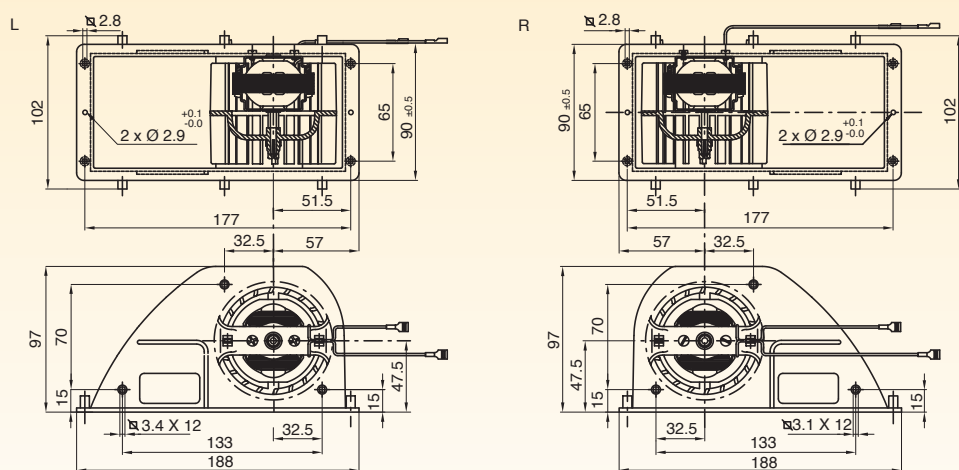
FEATURES

Housing of PA-FG with lateral screw fixing

PA centrifugal fan

Motor diameter 58 / T12

DRAWING



OPTIONS

Version with left or right aspiration available

Thermal protection on request





PATENTED



AXIAL/ TANGENTIAL BLOWER

FEATURES

Class of insulation: F/H

Motor \varnothing 58 + housing in fiber glass reinforced thermoplastic material
+ 7 blades-fan

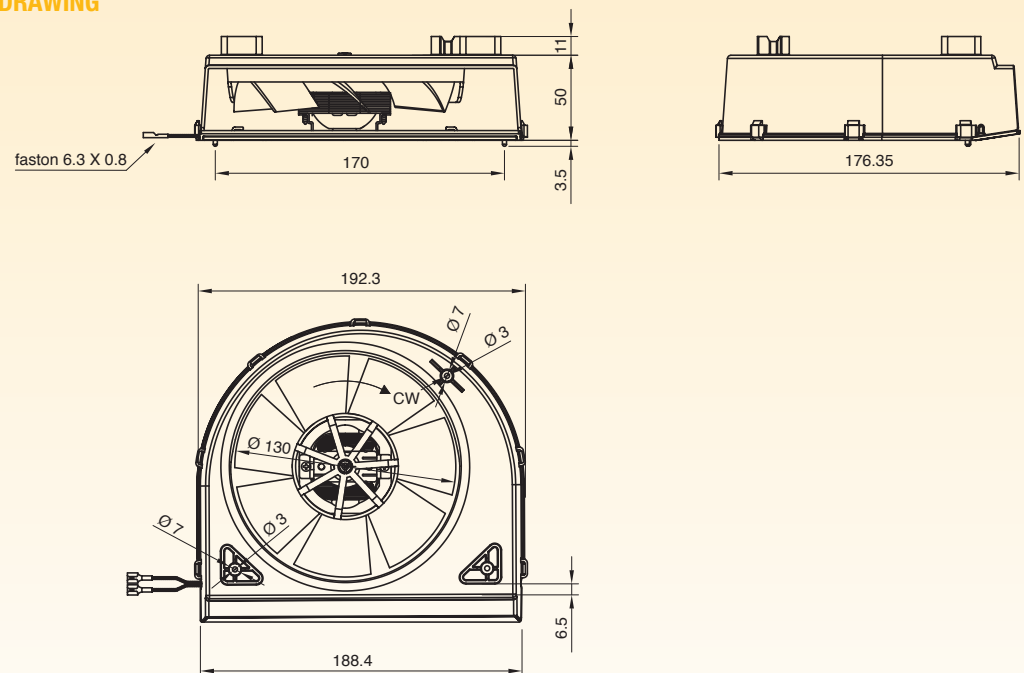
Mounting system: self screwing

Endurance test 3000 h /120 °C

Designed for the built-in oven cooling, noiseless, it is the best compromise between costs and benefits. The axial design provide long-term stability and balance to the blower.



DRAWING





FAN BLOWER 50 MM DEEP

FEATURES

Reduced dimensions

Suitable for ambient temperature till 120 °C

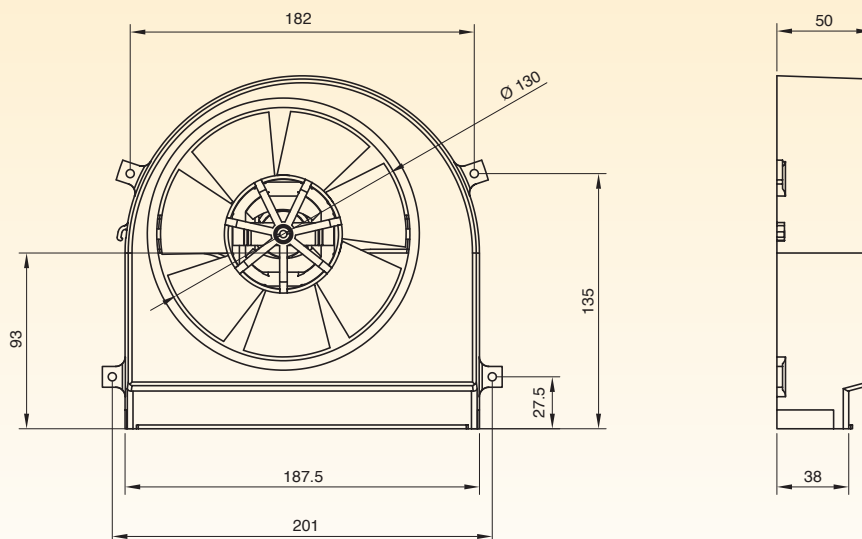
Applications: oven ventilation

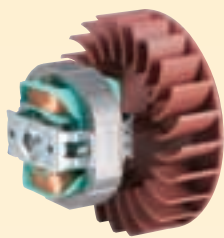
Class H version available

Blower output: between 70 m³/h and
100 m³/h (between 41 CFM and 59 CFM)



DRAWING





CENTRIFUGAL BLOWER

TO EXHAUST
COOKING VAPOURS

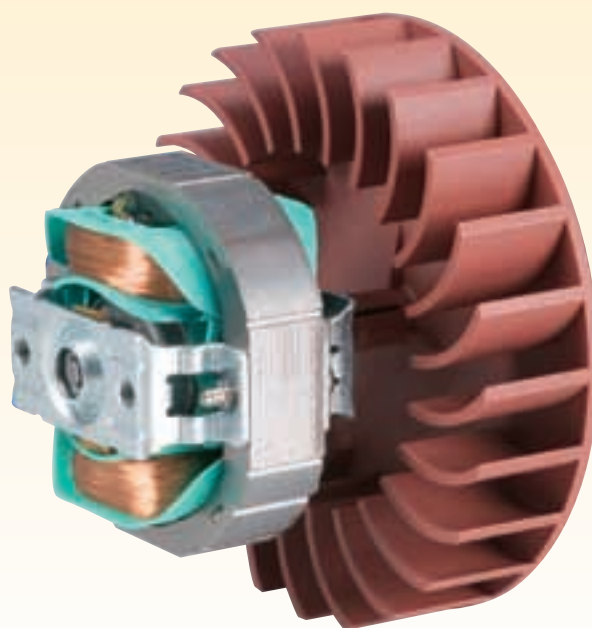
FEATURES

Class of insulation: F

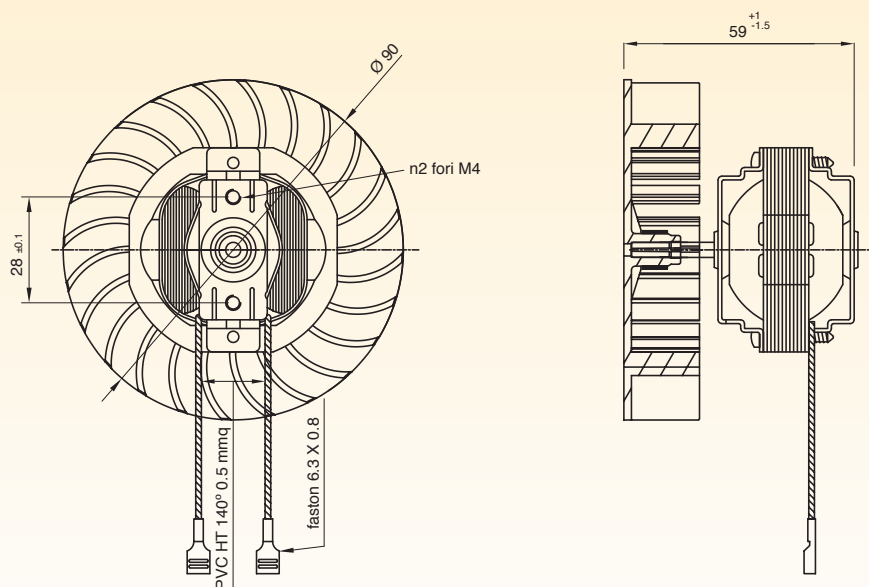
Motor \varnothing 58 + 24 blades-fan

Mounting system: M4 Screws

Endurance test 3000 h /120 °C



DRAWING



VENTILATION UNIT FOR OVEN

UP TO 900 MM SIZE

PATENTED



FEATURES

Suitable to cool down ovens' frontal door and electronic control

Suitable to exhaust cooking vapours

Class of insulation: F; H version also available

Motor Ø 58 + housing in fiber glass reinforced + 7-blades fan

Mounting system: screws

Life test: 5.000h/120 °C

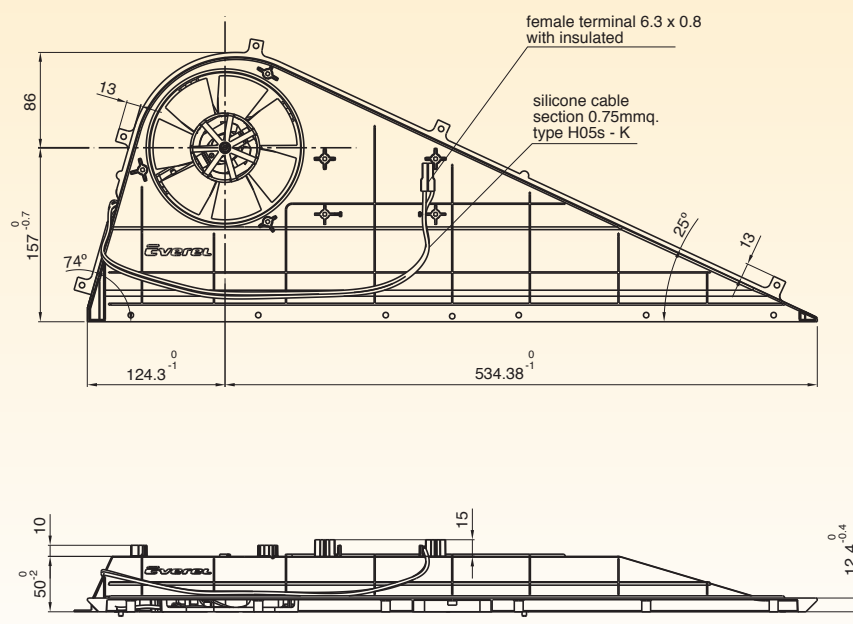
Blower output: 90 m³

Height: 50-60 mm

Version for oven up to 600 mm available



DRAWING





DISHWASHER COOLING VENTILATION UNIT

FEATURES

Suitable to cool down the outside of dishwasher's vat

It reduces drying time

Class of insulation: F; available also H version

Motor \varnothing 58 + 12-blades fan and plastic cage

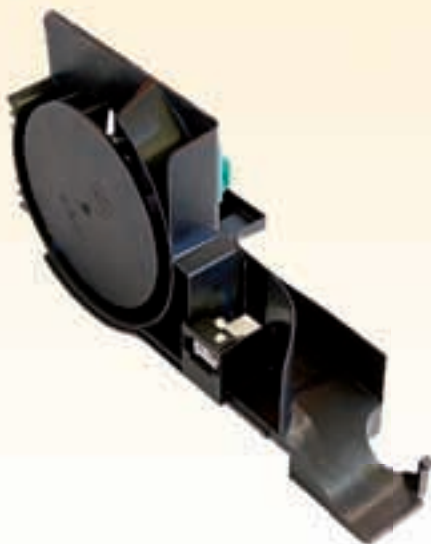
Mounting system: screws

Life test: 5.000h/120 °C

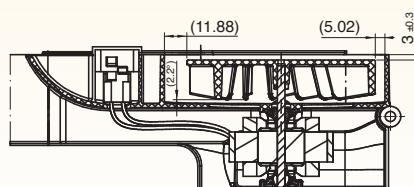
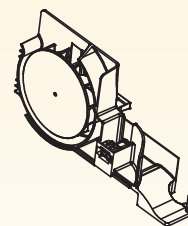
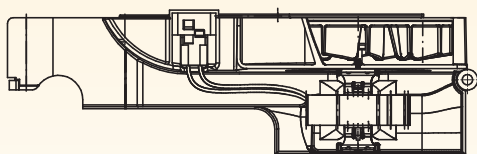
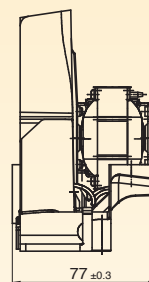
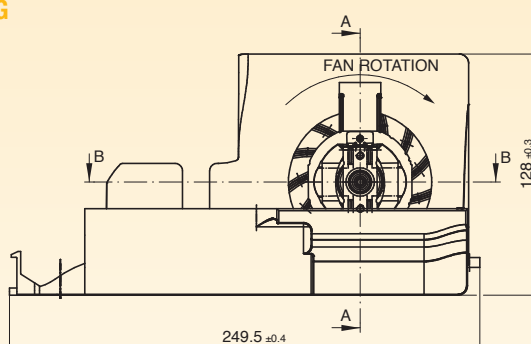
Blower output: 45 m³

Height: 50-60 mm

PA 66 FG plastic housing



DRAWING



Power Connectors

06



STS

216



SFS

216



SST

217



SW

218



STF

220



SFO

221



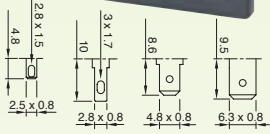
SCM81

221

STS

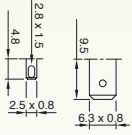
STS3

C14
Class I
T 70 °C



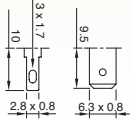
STS5

C16
Class I
T 120 °C



STS2

C18
Class II
T 70 °C



10 A / 250 VAC
EN 60320

10 A / 250 VAC
15 A / 125 VAC
UL 498

TYPICAL APPLICATIONS

Coffee machine, appliance inlet for cold/warm conditions with/without earthing contact, for "snap in" fastening

WIRING DIAGRAMAS

- 2-pole
- 2-pole + earth

CUT OUT

27x20 mm

GWT

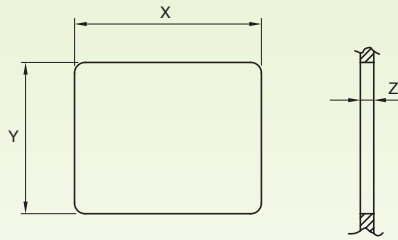
850 °C

GWT NO FLAME (<2sec)

750 °C on demand

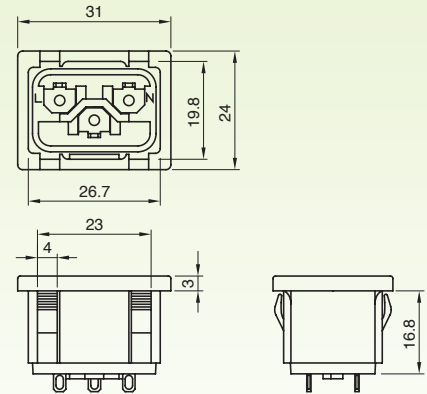


CUT OUT



Z	X	Y
1 ... 1,8	27	20,0 +0,2
1,8 ... 3,0	27	20,2 +0,2

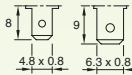
DRAWING



SFS

SFS2

H
Class II
T 70 °C



SFS3

F
Class I
T 70 °C



10 A / 250 VAC
EN 60320

10 A / 250 VAC
15 A / 125 VAC
UL 498

TYPICAL APPLICATIONS

Small appliances, appliance outlet for cold conditions with/without earthing contact, for "snap in" fastening

WIRING DIAGRAMAS

- 2-pole
- 2-pole + earth

CUT OUT

32x25 mm

GWT

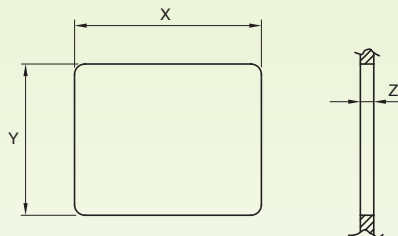
850 °C

GWT NO FLAME (<2sec)

750 °C on demand

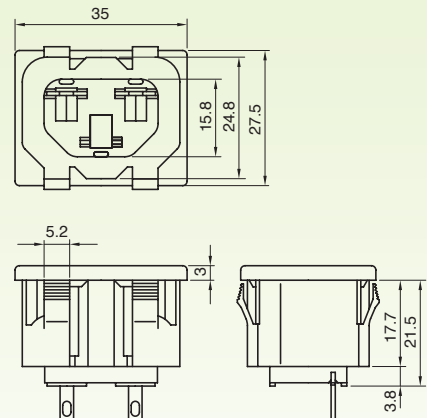


CUT OUT



Z	X	Y
1 ... 1,8	32,5	25,0 +0,2
1,9 ... 3,0	32,5	25,2 +0,2

DRAWING



TYPICAL APPLICATIONS Small appliances, appliance inlet for cold conditions with/without earthing contact and 1 fuse-holder

WIRING DIAGRAMAS

- 2-pole with fuse-holder
- 2-pole + earth with fuse-holder

CUT OUT 31x27 mm

GWFI 850 °C

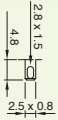
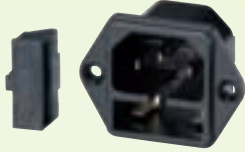
GWIT 750 °C on demand



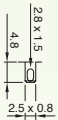
CUT OUT

Mounting hole 90° countersink

SST...
C14
Class I
T 70 °C



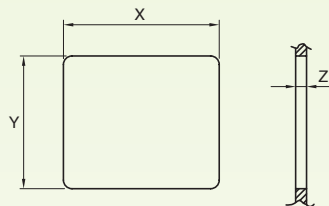
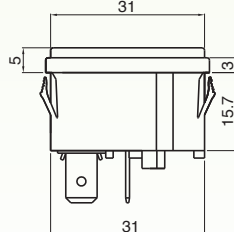
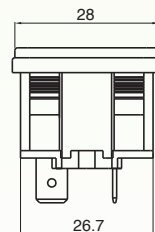
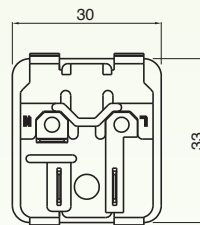
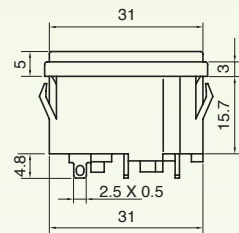
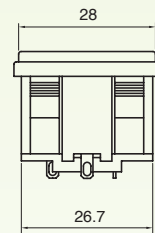
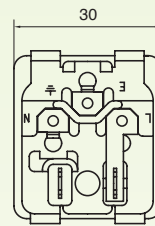
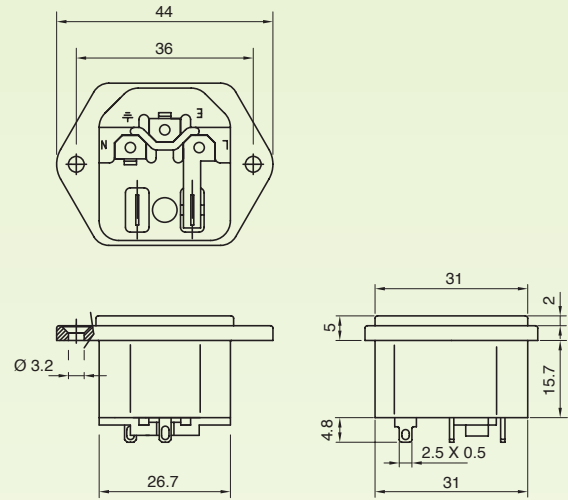
SST...
C14
Class I
T 70 °C



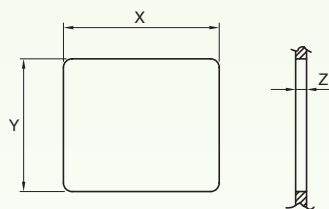
SST...
C18
Class II
T 70 °C



DRAWING



Z	X	Y	
1 ... 1,8	31,3 ... 31,5	27,0	+0,2
1,9 ... 3,2	31,5 ... 31,7	27,0	+0,2



Z	X	Y	
1 ... 1,8	31,3 ... 31,5	27,0	+0,2
1,9 ... 3,2	31,5 ... 31,7	27,0	+0,2

SW

10 A / 250 VAC EN 60320 6 A / 250 VAC UL 498

Fuse max 6.3 A 250 VAC

TYPICAL APPLICATIONS

Small appliances, appliance inlet for cold conditions with earthing contact, 1 or 2 fuse-holders For voltage selector

WIRING DIAGRAMS

■ 2-pole + earth with fuse-holder slots

CUT OUT

56x28 mm

GWT

850 °C

GWT NO FLAME (<2sec)

750 °C on demand



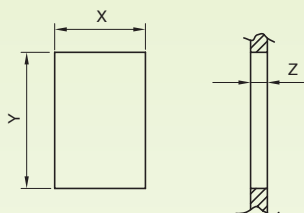
SW.

C14 Class I T 70 °C



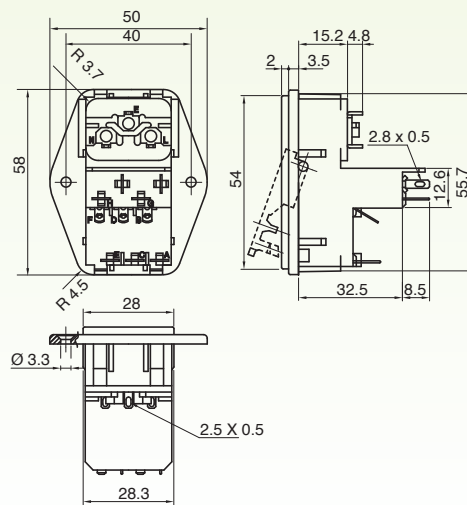
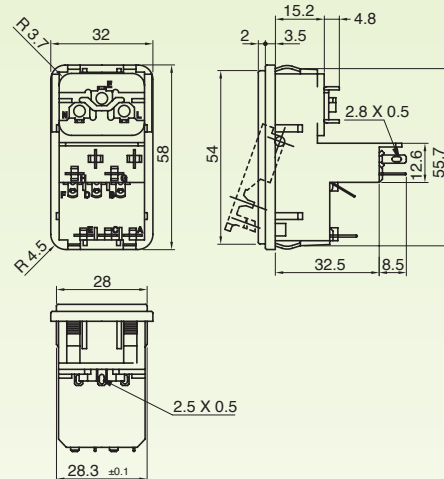
TC 2.8 x 1.5

CUT OUT



Z	X	Y
0,8 ... 2,0	55,9 ... 56,1	28,5 ... 28,7
2,1 ... 3,2	56,2 ... 56,4	28,5 ... 28,7

DRAWING



SW5.

C14 Class I T 70 °C



TC 2.8 x 1.5

Mounting hole 90° countersink

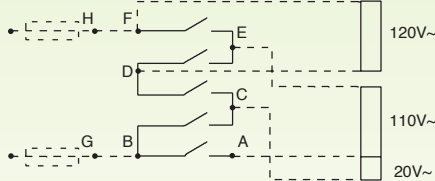
ACTUATING DEVICE FOR VOLTAGE SELECTOR

Accessories available for SW. and SW5.

SW950A1



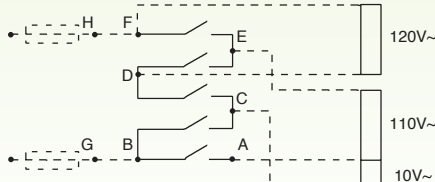
	100V~	120V~	220V~	240V~
F - E	↔	↔	↔	↔
D - E	↔	↔	↔	↔
D - C	↔	↔	↔	↔
B - C	↔	↔	↔	↔
B - A	↔	↔	↔	↔



SW966A1



	100V~	120V~	230V~	240V~
F - E	↔	↔	↔	↔
D - E	↔	↔	↔	↔
D - C	↔	↔	↔	↔
B - C	↔	↔	↔	↔
B - A	↔	↔	↔	↔



10 A / 250 VAC EN 60320 6 A / 250 VAC UL 498

Fuse max 6.3 A 250 VAC

TYPICAL APPLICATIONS

Small appliances, appliance inlet for cold conditions with earthing contact, 1 or 2 fuse holders With cut out for switch

WIRING DIAGRAMAS

■ 2-pole + earth with fuse-holder slots

CUT OUT

56x28 mm

GWT

850 °C

GWT NO FLAME (<2sec)

750 °C on demand



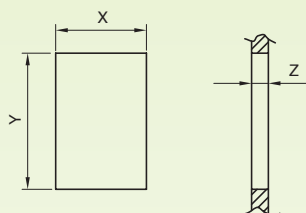
SW10.

C14
Class I
T 70 °C



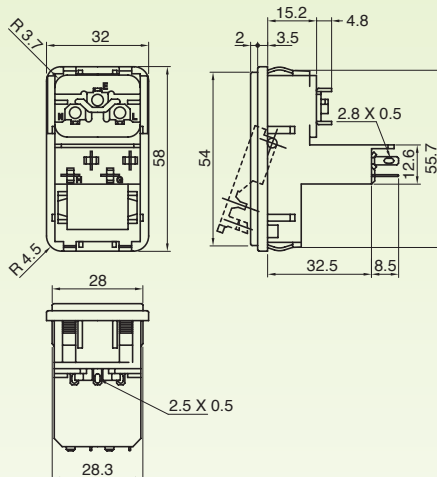
2,8 x 1,5

CUT OUT



Z	X	Y
0,8 ... 2,0	55,9 ... 56,1	28,5 ... 28,7
2,1 ... 3,2	56,2 ... 56,4	28,5 ... 28,7

DRAWING



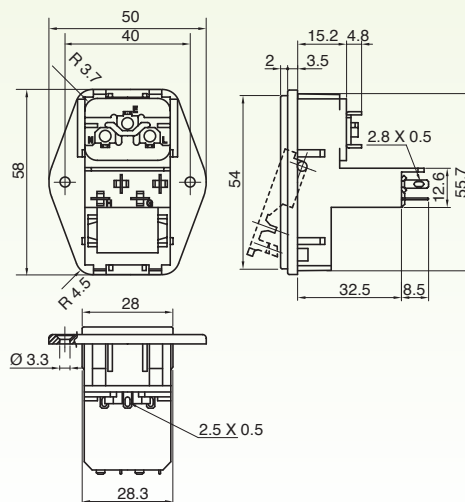
SW15.

C14
Class I
T 70 °C



2,8 x 1,5

Mounting hole 90° countersink



FUSE-HOLDERS

Accessories available for the whole SW series



SW900A1

USA fuse-holders
Fuse-holders dimensions: 6.3 x 32 mm



SW900A1

European fuse-holders
Fuse-holders dimensions: 5 x 20 mm
Fuse max 6.3 A 250 VAC

STF

10 A / 250 VAC 10 A / 250 VAC
EN 60320 15 A / 125 VAC
 UL 498

TYPICAL APPLICATIONS Ironing systems, appliance inlet for cold/warm conditions with earthing contact, mounting hole with 90° countersink

WIRING DIAGRAMS 2-pole + earth

CUT OUT screw fixing

GWT 850 °C

GWT NO FLAME (<2sec) 750 °C on demand



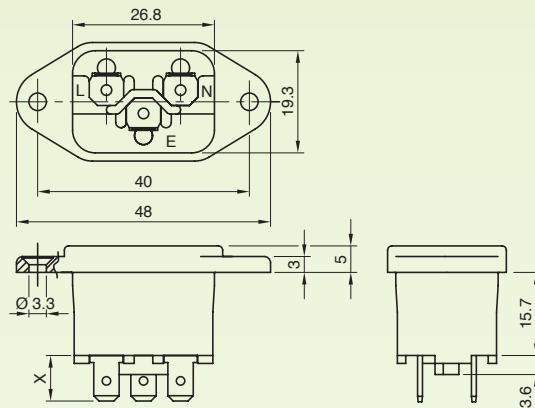
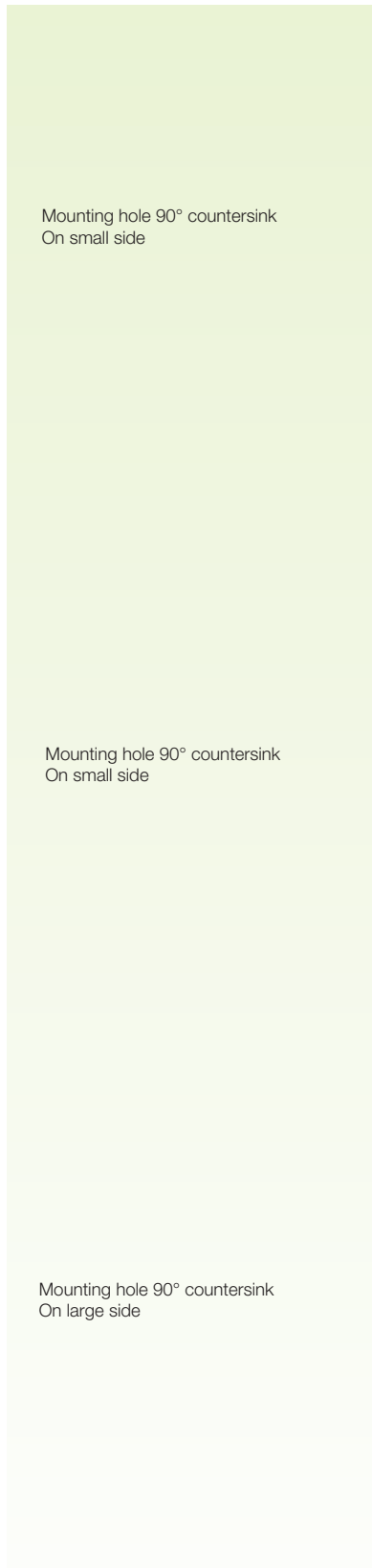
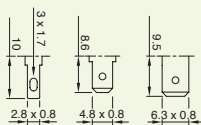
CUT OUT

Mounting hole 90° countersink
 On small side

DRAWING

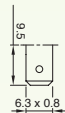
STF...

C14
 Class I
 T 70 °C

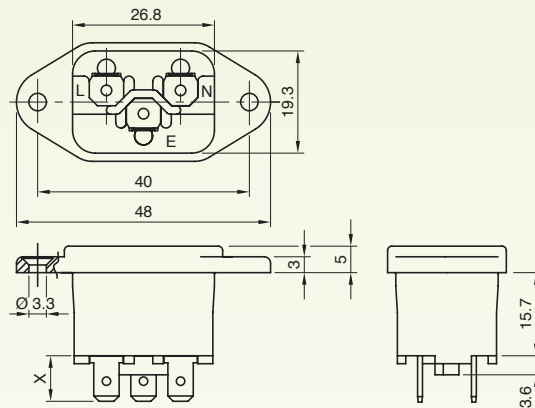


STF...

C16
 Class I
 T 120 °C

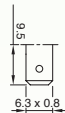


Mounting hole 90° countersink
 On small side

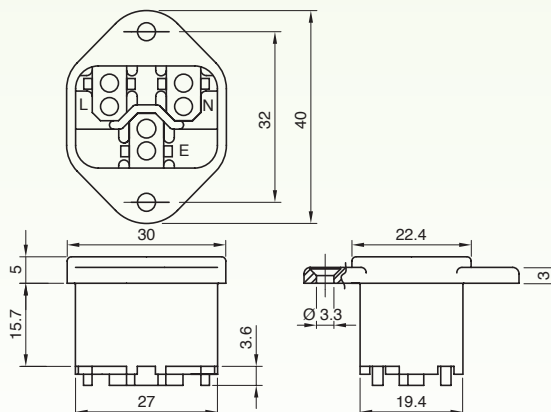


STF...

C16
 Class I
 T 120 °C



Mounting hole 90° countersink
 On large side



SFO

10 A / 250 VAC
EN 60320

10 A / 250 VAC
15 A / 125 VAC
UL 498

TYPICAL APPLICATIONS

Computer and peripherals, connector for cold/warm conditions with earthing contact, rewirable

WIRING DIAGRAMAS

Power inlet connector 2-pole + earth

CUT OUT

With electric wire

GWT

850 °C

GWT NO FLAME (<2sec)

750 °C on demand



SFO 430

C13
Class I
T 70 °C



Screw terminals

SFO 440

C13
Class I
T 70 °C



Screw terminals

SFO 550

C15
Class I
T 120 °C



Screw terminals

SCM81



10 A / 250 VAC
CEI 23-50 - II Ed. 2007
+V1:2008 +V2:2011

TYPICAL APPLICATIONS

Bathroom furniture

WIRING DIAGRAMAS

- Italian 2-pole
- Italian 2-pole + earth

CUT OUT

27x12 mm

GWT

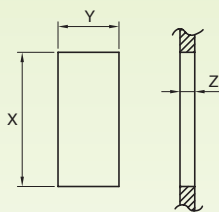
850 °C

GWT NO FLAME (<2sec)

750 °C on demand

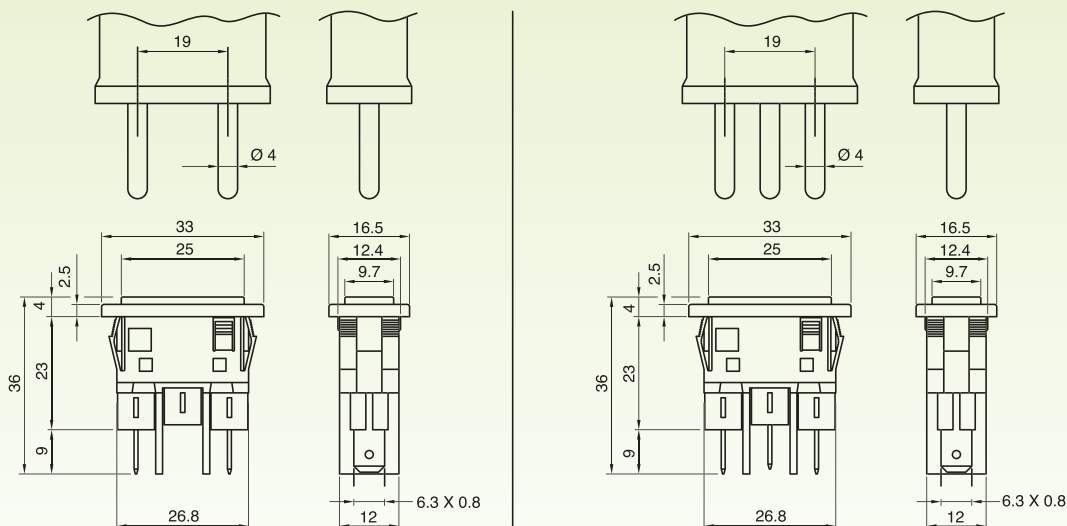


CUT OUT



Z	X	Y
0,75 ... 1,25	12,4	$27,3^{+0,0}_{-0,1}$
1,25 ... 2,0	12,4	$27,5^{+0,0}_{-0,1}$
2,0 ... 3,0	12,4	$27,9^{+0,0}_{-0,2}$
3,0 ... 4,0	12,4	$28,1^{+0,0}_{-0,2}$

DRAWING



Inductors

07



Cooking Inductors

224

COOKING INDUCTORS



FEATURES

DIAMETER from $\varnothing 145$ to $\varnothing 210$ (other shape on demand)

POWER from 1200W to 3000W (on demand)

INDUCTANCE AND RESISTANCE specific values available on demand

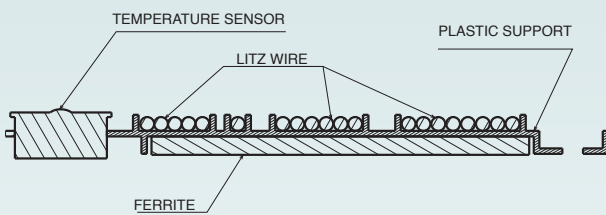
Plastic support (base)



Aluminium support (base)

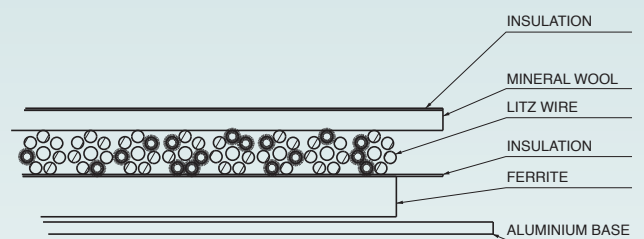


DRAWING



Power, shape, dimensions and coil can be customized.

DRAWING



Power, shape, dimensions and coil can be customized.

EXAMPLE OF ALUMINIUM SUPPORT VERSION WITH Ø 210 MM

PERFORMANCES

	Max Temperature
Insulating layers	300°C
Copper esame	220°C
Ferrite Curie temperature	450°C
Glue	250°C
Temperature sensor	250°C
Connection wires	250°C

	Ø 210
P Peak [W]	2500
P Max [W]	2500
P Continuous [W]	2000
Rac @ 25°C [mOhm]	110 +/- 20
L@10kHz [uH]	80 +/- 15%
Total Thickness [mm]	12.5 +/- 0.5

COMPONENTS

Aluminium Plate
Thickness: 1.2 mm

Ferrites

	Units	Ø 210
Number	[nr]	on demand
Size (LxWxH)	[mm]	on demand
Min Bs _{at} @100°C	[mT]	390
Min. Permeability		2000
Min. Curie Temperature	[°C]	450

Insulation Layers

	Units	Ø 210
Material		Mica
Thickness	[mm]	0.2

Wire to glass insulation layer

	Units	Ø 210
Material		Mineral wool
Disc diameter	[mm]	on demand
Hole diameter	[mm]	on demand
Mineral wool thickness	[mm]	2.0

NTC sensor

	Ø 210
Beta Value (25/85)	on demand
Max Temperature	250°C

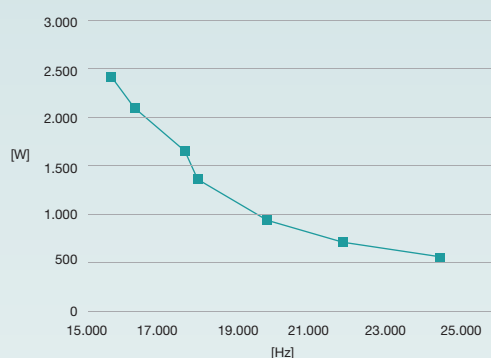
Litz Wire

	Units	Ø 210
Insulation	°C	220°C
N° wires		32
Wires diameter	[mm]	0.4
Total area	[mmq]	4.019

Mineral Wool

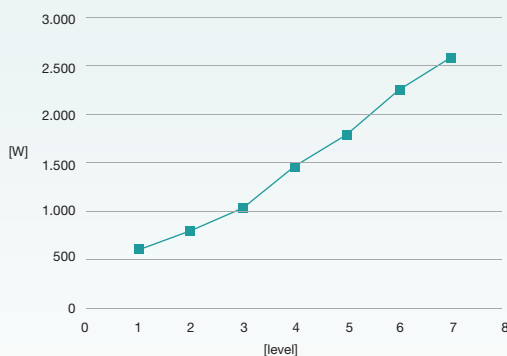
	Units	Ø 210
Max temperature	°C	250°C
Mineral Wool thickness	[mm]	2.0

Inductor power







Power measured on the inductor

Plug Power



Power measured on the plug

Approvals and Ratings

Almost all Everel switches have been tested and approved according to EN61058-1 standard, they are identified with the European approval logo , they are also in conformity with UL1054 and C22.2 - 55 identified with    logos. Every approval is available on the web site www.everel.eu.

Some of our switches use materials that comply with EN 60335 GWT NO FLAME (< 2sec), other series this feature is available on demand.

Signal lights are approved according to VDE 0710, most Encoders and Selectors are approved according to EN 61058-1, Motors and Ventilation Units are approved according to EN60335-1, Power Connectors are approved according to EN 60320-1 with exception of SCM 81 which is approved according to CEI 23-50.



Cycle No. life endurance

Most Everel products reach the 50.000 electromechanical cycles, this is indicated by the abbreviation 5E4; if it is not mentioned the operating ratings are meant to be approved for an electro-mechanical life endurance of 10.000 cycles.



RoHS directive and REACH regulation

All Everel products are made using materials and procedures conforming to RoHS 2011/65/EU directive concerning restrictions on the use of hazardous substances and the handling of waste of electric and electronic devices. Our products are also compliant with REACH regulation EC No.1907/2006.



Ambient temperature

The T125 marking means that the item is approved in conformity with EN61058-1 for a max room temperature of 125°C (T stays for Temperature and the number stays for the maximum room temperature).

Obviously, the item performances can be extremely reduced or compromised if the product is used outside the admitted temperature range, in very moist or in corrosive environments.



IP- Protection Degree

The protection degree against solid or liquid elements penetration (IP degree) refers to the actuating side of the switch. After the assembly of the items the customer is responsible for its tightness and its enduring performances and features.



GAP between the contacts

Most Everel items (in this catalogue) show an air insulation gap among the contacts > 3 mm, and are suitable to disconnect the appliance from power supply.

The symbol μ identifies the items with a gap between the contacts < 3 mm.



CE marking

Our items meet the requirement of the Low voltage Directive 2006/95/EC.



Operating conditions

The products functional parameters are guaranteed with the operative conditions illustrated by the reference standard (EN 61058-1 and UL 1054 or UL 61058 on demand from 06/2015).

We recommend to use our items only after a period of at least 24 hours at a minimum temperature of 16°C, in order to avoid possible inconveniences due to the hardening of the plastic material.



Data modification in this catalogue

We reserve the right to introduce any improving changes on the products and on the projects that we consider necessary. Drawings and pictures showed in the catalogue do not have to be considered as binding. Item samples and drawings are available on demand for detailed dimensional and aesthetical evaluation of the product. Further information and updates are available on www.everel.eu.



© Copyright 2012 - Property of Everel Company
All rights reserved, any reproduction (including extracts) require a written agreement by Everel Group S.p.A.

Printed in October 2012

Graphic: Imprimatur ADV - Verona
Print: ProntoStampa - Bergamo

- Headquarters
- Production Site
- Sales Network



Everel Group S.p.A.

[Headquarters]
Via Cavour, 9
37067 Valeggio sul Mincio (VR) - Italia
tel. +39 045 6313711
fax +39 045 6313730

Dreefs GmbH

Ernst-Dreefs-Straße 7
96364 Marktrodach - Germania
tel. +49 9261 9610
fax +49 9261 961248

Everel Romania Srl

Calea Timisorii 109
Lipova - Arad - Romania
tel. +40 257 563087
fax +40 257 563086

Everel Asia Pacific Co., Ltd

Room 1005, 10th Floor,
Far East Finance Centre,
16 Harcourt Road, Hong Kong