

Natural Strength

Our double-walled cases



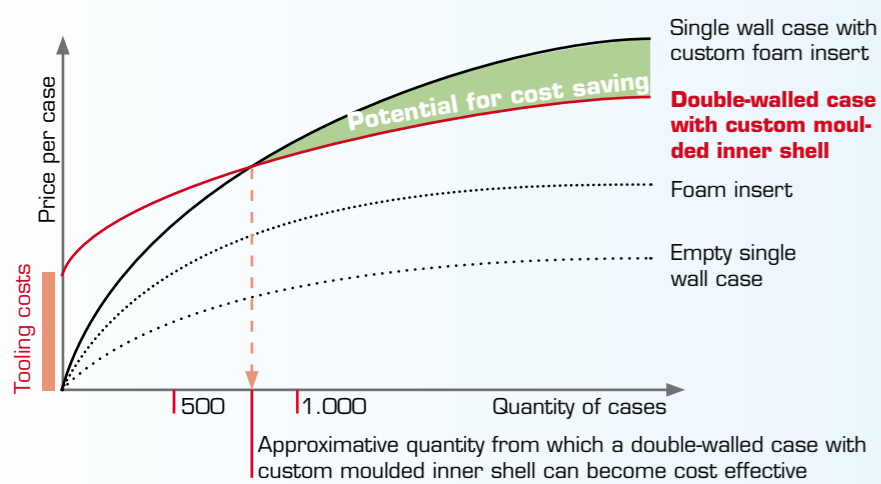
Cases for industry
Blow moulding
Injection moulding

www.hofbauer.co.uk

Custom moulded inner shell

Blow moulded cases feature double-walled construction creating an impact absorbing air-cushion, for built in strength & stability. The inner wall can be moulded to suit your products - a professional solution to provide high quality protection.

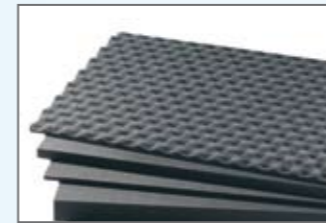
From 800 units Hofbauer can offer experience in design and skill in production, to produce a double-walled case, with moulded inner wall that will prove more cost effective than conventional foam interiors.



Double-walled case with custom moulded inner shell.

Foam inserts

Customised foam inserts in medium density Polyurethane or higher density Polyethylene can be supplied in a selection of colours.



Foam sets comprising: Profile, pick-and-pluck, and plain foam pads



Laser etched ID in foam



Antistatic foam



Moulded foam parts (EPP, EPS, EPE)



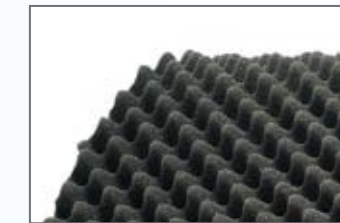
Pluck foam (PU)



Soft PU foam



Hard PE foam



Profile foam (PU)



Laboratory or mobile working station; easily cleaned hygienically; secure and efficient interior layout.



Megabag with custom moulded inner shell.



Designed for operation within the case.



Professional operation with an organised case interior.

Accessories



Trolley (a)

To special request, various Hofbauer cases can be supplied with a removable trolley with integrated telescopic handle.

Shoulder strap (b)

Adjustable and removable shoulder strap for easy handling.

Lid stays (c)

For opening angle of 90°.

Document files (d)

Various styles of document files available in most cases.

Dividing boards (e-g)

Dividers to separate lid and base, supplied in a variety of materials, for secure storage.

Standard dividing board: leather look and pressed fibreboard (e)

Classic dividing board: fabrics and pressed fibreboard, removable (f)

Con-Pearl dividing board: extremely lightweight, sturdy PP panel (g)



Dimension Executive Case with a base dividing board and executive document file.



Customised panels are possible on request.

Corporate Branding

Printing

Printed logo's can be offered on most cases to enhance corporate image.

Smooth panel options

For cases with grained or raised surface finish, a smooth rebated panel can be incorporated (subject to quantity) during moulding. The panel offers possibilities for smooth application of labels and quality printing. Furthermore corporate logo's can be incorporated and moulded in raised relief as a permanent part of the case.

Catches and handles in special colours are possible, subject to quantity.



Custom Moulded Cases



Blow moulded case, for global agricultural OEM, designed to customer's requirement in both size & colour. With catches featuring the company logo in a raised contour.

Quality and distinction, **made in Germany**, at affordable prices.



Secure and organised tool storage, bespoke design for major OEM. Strong, reliable, robust, easy to clean. Moulded in strength with weakness eliminated.

QUANTUM T



- Newly developed, double-walled case with snap-shut catches
- Modern, functional design, with folding, ergonomic handle
- Extremely robust yet lightweight
- Manufactured using Hofbauer's unique skill in extrusion blow moulding
- Made from durable, recyclable Polypropylene (PP)
- Custom fitted interiors
- Smooth rebate for logo, labels etc.
- 2 Standard colours: light grey and black
- Printed logo or labels for corporate identity (subject to available space)
- Excellent cost effectiveness

Options (subject to quantity):

- Special colour case or catches
- Bespoke moulded inner shell as alternative to foam inserts

QUANTUM	T 1000	T 1100	T 1200	T 2000	T 2100	T 2200	T 3000	T 3100
Black	9150006	9150008	9150010	9150004	9150002	9150000	9150013	9150015
Black with metal lid stays	9150017	9150019	9150021	9150023	9150025	9150027	9150029	9150031
Light Grey	9150007	9150009	9150011	9150005	9150003	9150001	9150014	9150016
Light Grey with metal lid stays	9150018	9150020	9150022	9150024	9150026	9150028	9150030	9150032
Ext. Dim. mm (L x W x H)	460 x 375 x 96	460 x 375 x 120	460 x 375 x 147	520 x 410 x 110	520 x 410 x 150	520 x 410 x 195	562 x 434 x 141	562 x 434 x 181
Max. Int. Dim. mm (L x W)	420 x 300	420 x 300	420 x 300	475 x 340	475 x 340	475 x 340	513 x 360	513 x 360
Min. Int. Dim. mm (L x W x H)	400 x 280 x 70	400 x 280 x 80	400 x 280 x 120	455 x 320 x 90	455 x 320 x 130	455 x 320 x 170	492 x 339 x 121	492 x 339 x 161
Height Int. Dim. mm (Total = Base HB + Lid HL)	70 = 50 + 20	80 = 46 + 34	120 = 75 + 45	90 = 60 + 30	130 = 80 + 50	170 = 100 + 70	121 = 71 + 50	161 = 91 + 70
Empty Weight kg approx.	ca. 1,9	ca. 2,1	ca. 2,3	ca. 2,7	ca. 2,8	ca. 3,6	ca. 3,7	ca. 3,9

Accessories

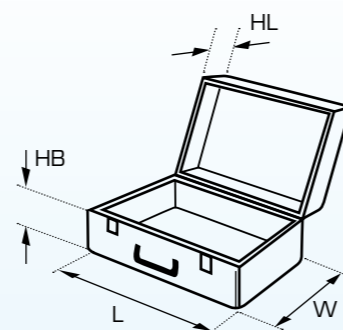
- Lid stays
- Divider board
- Document file
- Trolley
- Labels
- Foam set
- Shoulder Strap

Range of colours*

Standard colours	Snap-shut catches + handle
black	black
light grey	blue
	red

* customised colours on request

Size details



HB Height Base / HL Height Lid

MEGABAG



- Quality construction and eye-catching design makes Megabag the ideal solution for a variety of applications
- Lockable with a separate, optional, combination padlock
- Comfortable fold-down, recessed handle
- Scratch resistant surface
- Large, stable hinge/feet with living hinge
- Carries loads up to 40 kg
- Manufactured using Hofbauer's unique skill in extrusion blow moulding
- Made from durable, recyclable Polypropylene (PP)
- Custom fitted interiors
- 2 Standard colours: light grey and black

MEGABAG	1000	2000	3000	4000
Black	91 30 01	91 30 11	91 30 21	91 30 31
Black with metal lid stays	91 36 01	91 36 11	91 36 21	91 36 31
Light Grey	91 30 02	91 30 12	91 30 22	91 30 32
Light Grey with metal lid stays	91 36 02	91 36 12	91 36 22	91 36 32
Ext. Dim. mm (L x W x H)	455 x 368 x 166	534 x 427 x 157	534 x 427 x 182	534 x 427 x 207
Max. Int. Dim. mm (L x W)	410 x 300	480 x 355	480 x 355	480 x 355
Min. Int. Dim. mm (L x W x H)	400 x 290	471 x 346	469 x 344	469 x 344
Height Int. Dim. mm (Total = Base HB + Lid HL)	140 = 90 + 50	130 = 85 + 45	155 = 110 + 45	180 = 110 + 70
Empty Weight kg approx.	ca. 2,6	ca. 3,2	ca. 3,3	ca. 3,7

Accessories

- Lid stays
- Divider board
- Document file
- Trolley
- Padlock
- Shoulder Strap
- Foam set
- Smooth Logo Panel (qty restriction)



Range of colours*

Standard colours	Snap-shut catches + handle
black	black
light grey	blue
	red

* customised colours on request



Megabag in "metallic" silver

DIMENSION



- Eye-catching image & design
- "Right-side-up" lock mechanism, prevents the case from being opened while inverted
- Double security with both key and combination locks
- Ergonomic fold down handle for added comfort
- Exceptionally scratch resistant surface finish
- Also available with a briefcase interior, as standard
- Extremely durable living hinge
- Able to carry loads up to 40 kg due to double wall construction
- Printed metal lock strip – subject to quantity

DIMENSION	1030 AK	1030	1032
Black	90 25 30	91 23 30	91 23 32
Black with metal lid stays	included*	91 28 30	91 28 32
Ext. Dim. mm (L x W x H)	477 x 365 x 147	477 x 365 x 147	477 x 365 x 180
Max. Int. Dim. mm (L x W)	445 x 326	445 x 326	445 x 326
Min. Int. Dim. mm (L x W x H)	435 x 320	435 x 320	435 x 320
Height Int. Dim. mm (Total = Base HB + Lid HL)	110 = 70 + 40	110 = 70 + 40	144 = 89 + 55
Empty Weight kg approx.	ca. 3,4	ca. 2,7	ca. 3,1

* included in Executive case

Accessories

- Lid stays
- Divider board
- Document file
- Trolley
- Label
- Foam set
- Shoulder Strap

Range of colours*

Standard colours

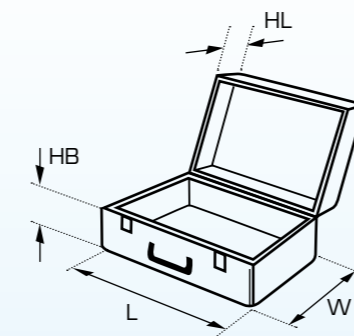


* customised colours on request



Dimension Executive Case (AK) with a Classic Document File and a removable Classic Dividing Board.

Size details



HB Height Base / HL Height Lid

ULTRABAG

MULTIBAG

- Smart, functional, flexible – an effective solution
- Convenient, practical rectangular shaped interior
- Integrated durable living hinge clip-catches
- Scratch resistant embossed surface
- Extremely durable integrated living hinge
- Able to carry loads of up to 20 kg
- Manufactured using Hofbauer's unique skill in extrusion blow moulding Made from durable, recyclable Polypropylene (PP)
- Custom fitted interiors
- 2 Standard colours: light grey and black



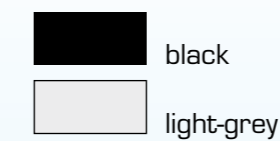
	ULTRABAG	MULTIBAG 1	MULTIBAG 2
Black	91 11 01	91 11 11	91 11 21
Light grey	91 11 06	91 11 15	91 11 25
Ext. Dim. mm (L x W x H)	414 x 366 x 116	360 x 313 x 92	360 x 313 x 123
Max. Int. Dim. mm (L x W)	375 x 270	325 x 223	325 x 223
Min. Int. Dim. mm (L x W)	350 x 250	312 x 212	312 x 212
Height Int. Dim. mm (Total = Base HB + Lid HL)	95 = 55 + 40	69 = 40 + 29	94 = 53 + 41
Empty Weight kg approx.	ca. 1,3	ca. 1,0	ca. 1,3

Accessories

- Lid stays
- Divider board
- Document file
- Foam set
- Shoulder Strap

Range of colours*

Standard colours



* customised colours on request



Multibag with custom moulded inner base section and injection moulded panel in lid.



Ultrabag with smooth rebate panel and printing (customised).

CITYBAG KS



- The classical industrial case option, with snap-shut catches
- Cost effective solution
- A hard-wearing, robust all rounder
- Comfortable fold down handle
- Extremely durable living hinge
- Able to carry loads up to 40 kg
- Manufactured using Hofbauer's unique skill in extrusion blow moulding
- Made from durable, recyclable Polypropylene (PP)
- Textured, scuff resistant surface finish

CITYBAG	KS 1025	KS 1015	KS 1035	KS 1045	KS 1047	KS 1065
Black	91 13 25	91 13 15	91 13 35	91 13 45	91 13 47	91 13 65
Black with metal lid stays	91 16 25	91 16 15	91 16 35	91 16 45	91 16 47	91 16 65
Ext. Dim. mm (L x W x H)	443 x 333 x 116	477 x 365 x 112	477 x 365 x 145	562 x 430 x 190	562 x 430 x 225	604 x 473 x 180
Max. Int. Dim. mm (L x W)	411 x 295	445 x 326	445 x 326	513 x 377	513 x 377	565 x 428
Min. Int. Dim. mm (L x W)	403 x 287	436 x 322	435 x 320	495 x 359	494 x 358	545 x 413
Height Int. Dim. mm (Total = Base HB + Lid HL)	76 = 55 + 21	75 = 55 + 20	112 = 72 + 40	155 = 95 + 60	179 = 107 + 72	145 = 90 + 55
Empty Weight kg approx.	ca. 1,8	ca. 1,9	ca. 2,1	ca. 3,5	ca. 3,9	ca. 3,9

Accessories

- Lid stays
- Divider board
- Document file
- Trolley
- Labels
- Foam set
- Shoulder Strap

Range of colours*

Standard colours

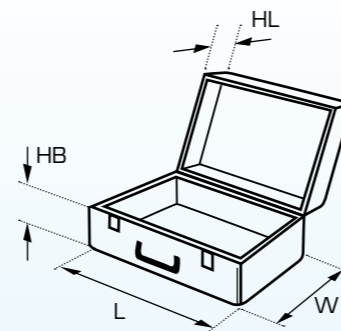


* customised colours on request



Coloured foam inserts not only protect valuable products, but also look good.

Size details



HB Height Base / HL Height Lid

CITYBAG SL



- Versatile all-rounder, ultimate sturdiness, the classical industrial case
- Solid metal lock strip with key locks
- Comfortable fold down handle
- Embossed scratch resistant surface
- Also available fitted with a briefcase interior, as standard
- Extremely durable living hinge
- Able to carry loads of up to 40 kg
- Manufactured using Hofbauer's unique skill in extrusion blow moulding
- Made from durable, recyclable Polypropylene (PP)

CITYBAG	SL 1020	SL 1010	SL 1030	SL 1032	SL 1040	SL 1042	SL 1043	SL 1060
Black	91 13 20	91 13 10	91 13 30	91 13 32	91 13 40	91 13 42	91 13 43	91 13 60
Black with metal lid stays	91 18 20	91 18 10	91 18 30	91 18 32	91 18 40	91 18 42	91 18 43	91 18 60
Executive case	90 13 20	90 13 10	-	-	-	-	-	-
Ext. Dim. mm (L x W x H)	433 x 333 x 116	477 x 365 x 112	477 x 365 x 145	477 x 365 x 185	562 x 430 x 190	562 x 430 x 225	562 x 430 x 240	604 x 473 x 180
Max. Int. Dim. mm (L x W)	411 x 295	445 x 326	445 x 326	445 x 326	513 x 377	513 x 377	513 x 377	565 x 428
Min. Int. Dim. mm (L x W)	403 x 287	436 x 322	435 x 320	439 x 310	495 x 359	494 x 358	488 x 349	545 x 413
Height Int. Dim. mm (Total = Base HB + Lid HL)	76 = 55 + 21	75 = 55 + 20	112 = 72 + 40	137 = 84 + 53	155 = 95 + 60	179 = 107 + 72	203 = 118 + 85	145 = 90 + 55
Empty Weight kg ap.	ca. 1,8	ca. 1,9	ca. 2,4	ca. 2,4	ca. 3,6	ca. 3,9	ca. 4,3	ca. 4,4

Accessories

- Lid stays
- Divider board
- Document file
- Trolley
- Foam set
- Shoulder Strap
- Labels

Range of colours*

Standard colours



* customised colours on request



Case to protect and transport valuable equipment

Natural Attraction
Our flexible cases

hofbauer
Cases for industry
Blow moulding
Injection moulding

www.hofbauer.co.uk

Natural Survivor
Our waterproof cases

hofbauer
Cases for industry
Blow moulding
Injection moulding

www.hofbauer.co.uk

Natural Hard Workers
Our dependable tool cases

hofbauer
Cases for industry
Blow moulding
Injection moulding

www.hofbauer.co.uk

For further brochures and product information please call our Hotline
+44 (0) 1452 30 97 82
or as PDF download on our website.



Cases for industry
Blow moulding
Injection moulding

Hofbauer (UK) Ltd
St. Albans Road
Empire Way
Gloucester
GL2 5FW, England
Tel. +44 (0) 1452 30 97 82
Fax: +44 (0) 1452 30 98 84

cases@hofbauer.co.uk
www.hofbauer.co.uk