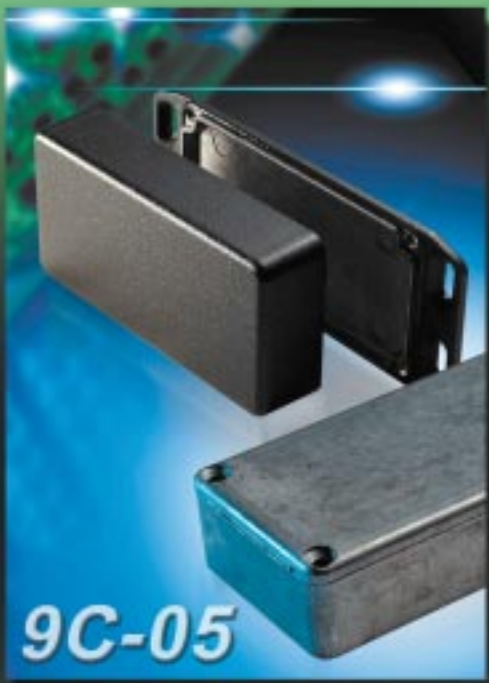




HAMMOND
MANUFACTURING™

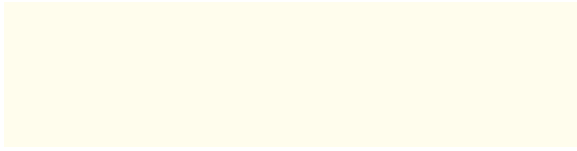


***Electronic
Enclosures***



Product Color Information

Plastic Enclosures:



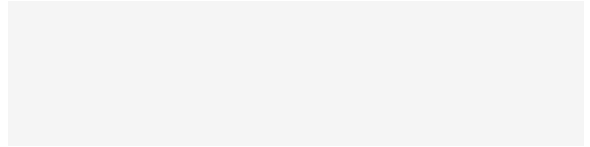
Beige



Blue

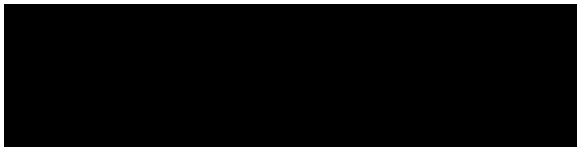


Black



Grey

Painted Diecast Aluminum Enclosures:

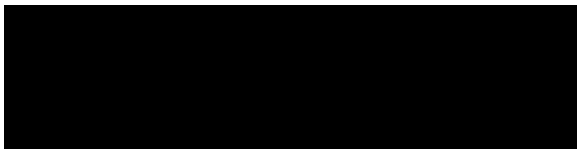


Black

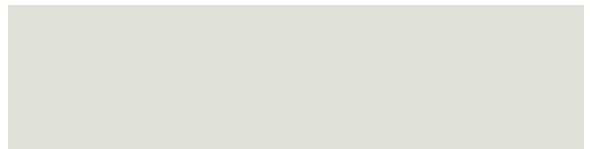


*Watertight - 1590Z Series
Grey (RAL 7001)*

General Purpose Metal Enclosures:



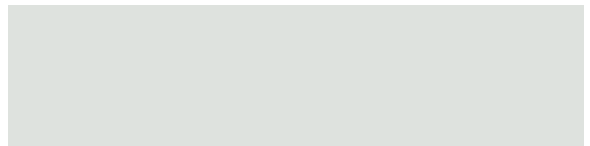
Black



Contempra Grey (RAL 7032)



Blue



ASA 61 Grey

NOTE: This color chart page is included for reference only. It was created with printers ink and gives only a representation of the actual colors. Textures of plastic, paint and lighting will shift appearance of colors. If precise color matching is required please contact us for actual color chip samples.

Plastic Enclosures

Pages 2-47

Plastic

Diecast Aluminum Enclosures

Pages 48-59

Diecast

Sealed Diecast Aluminum Enclosures

Pages 60-71

Sealed Diecast

General Purpose Metal Enclosures

Pages 72-99

Metal

Accessories, Technical Data & Index

Pages 100-112

Accessories



Plastic



Watertight Flat Lid
Pages 4-5



Flanged Lid
Pages 18-21



Wallmount & Handheld
Page 35



Watertight Clear Lid
Pages 6-7



Bottom Flange
Pages 22-23



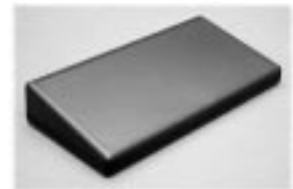
Hand Held
Pages 36-37



Watertight Styled Lid
Pages 8-9



"T" - Display Case
Pages 24-25



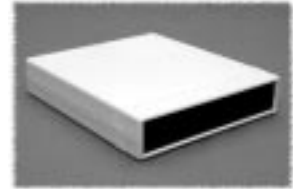
Sloped Console
Pages 38-41



Miniature
Pages 10-11



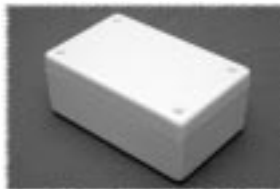
Hand Held Instrument
Pages 26-29



Instrument Case
Pages 42-46



Translucent
Pages 12-13



Heavy Duty
Pages 30-33



Potting Boxes
Page 47



Multipurpose
Pages 14-17



Heavy Duty Watertight
Page 34



Watertight Flat Lid - (1554 Series)

Plastic



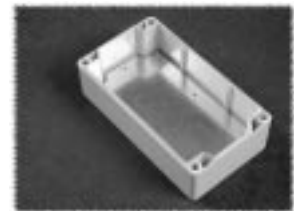
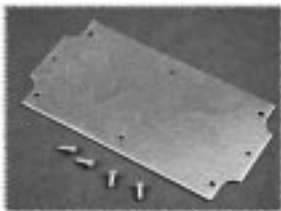
KEY FEATURES

- Electronic instrument enclosures, designed for mounting printed circuit boards or DIN rail mounted components.
- Molded in general purpose ABS plastic or polycarbonate material.
- The general purpose ABS plastic carries a UL flammability rating of UL94HB. Not recommended for outdoor use.
- The polycarbonate material carries a UL flammability rating of UL94 5V and is suitable for outdoor use.
- Color is light gray (RAL 7035)
- Gasketed lid with two piece “tongue & groove” construction provides protection against access of oil, dust and water.
- Designed to meet IP66 & NEMA 4, 4X, 12 & 13 ratings
- Gasket is factory poured using high temperature U.L. listed - silicone rubber gasket material.
- Lid is secured with self captivated M4 stainless steel machine screws (included), threaded into integral stainless steel bushings (for repetitive assembly & disassembly).
- All stainless steel hardware to avoid corrosion caused by dissimilar metals.
- Lid and mounting holes are located outside of the gasket seal.
- Heavy duty 16 gauge galvanized steel panels available (see chart)
- Internal features are maximized for mounting options:
 - Internal DIN rail mounting tabs molded in all except the 1554CGY & 1554C2GY
 - Threaded (M3) integral brass inserts & standoffs designed for M3.5 or #6 self tapping screws for P.C. board or inner panel mounting in all but the smallest size (1554BGY & 1554B2GY)
 - Vertical P.C. card guides (for 1.5 mm thick P.C. boards) are molded in all but the smallest size (1554BGY & 1554B2GY)

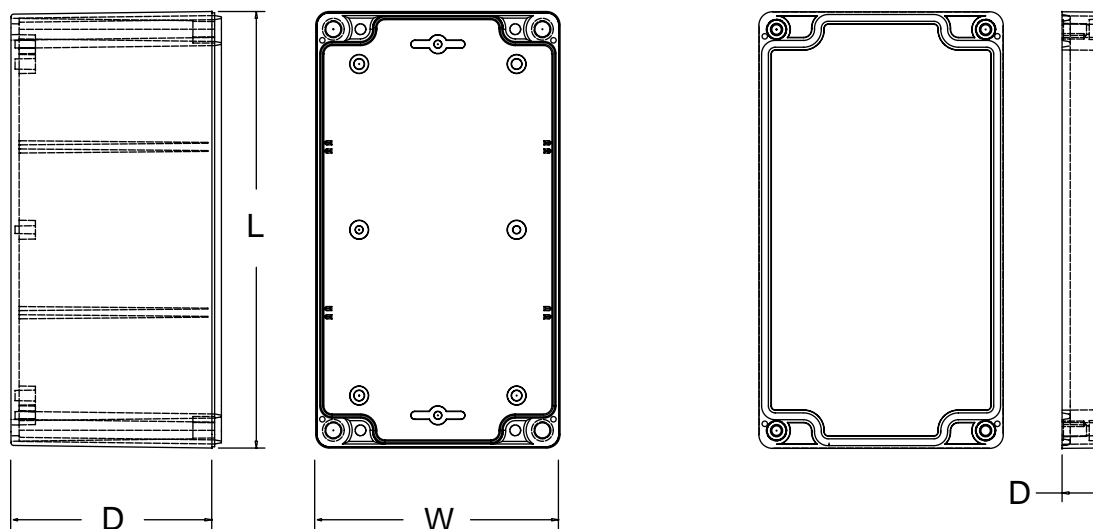
ACCESSORIES

Panels

Heavy duty panel for mounting components. Galvanized 16 ga. steel. Includes mounting hardware.
See table (facing page) for part numbers



Watertight Flat Lid - (1554 Series)



Body View

Lid View

Plastic

Part Number		Units	Dimensions					Optional Inner Panel Part Number	Units	Dimensions	
ABS	Poly-carbonate		Length (L)	Width (W)	Overall Depth (D)					Length	Width
		Assembled			Box	Lid					
1554BGY	1554B2GY	inch mm	2.6 65	2.6 65	1.6 40	.98 25	.59 15	1554BPL	inch mm	2.2 56	2.2 59
1554EGY	1554E2GY	inch mm	3.5 90	3.5 90	2.4 60	1.77 45	.59 15	1554EPL	inch mm	3.1 79	3.1 79
1554CGY	1554C2GY	inch mm	4.7 120	2.6 65	1.6 40	.98 25	.59 15	1554CPL	inch mm	4.4 112	2.1 53
1554DGY	1554D2GY	inch mm	4.7 120	2.6 65	2.4 60	1.77 45	.59 15	1554CPL	inch mm	4.4 112	2.1 53
1554FGY	1554F2GY	inch mm	4.7 120	3.5 90	2.4 60	1.77 45	.59 15	1554FPL	inch mm	4.3 109	3.1 79
1554GGY	1554G2GY	inch mm	4.7 120	3.5 90	3.2 80	2.56 65	.59 15	1554FPL	inch mm	4.3 109	3.1 79
1554NGY	1554N2GY	inch mm	4.7 120	4.7 120	2.4 60	1.77 45	.59 15	1554NPL	inch mm	4.25 108	4.2 107
1554PGY	1554P2GY	inch mm	4.7 120	4.7 120	3.15 80	2.56 65	.59 15	1554NPL	inch mm	4.25 108	4.2 107
1554JGY	1554J2GY	inch mm	6.3 160	3.5 90	2.4 60	1.77 45	.59 15	1554JPL	inch mm	5.8 147	3.0 76
1554KGY	1554K2GY	inch mm	6.3 160	3.5 90	3.5 90	2.95 75	.59 15	1554JPL	inch mm	5.8 147	3.0 76
1554RGY	1554R2GY	inch mm	6.3 160	6.3 160	2.4 60	1.77 45	.59 15	1554RPL	inch mm	5.94 151	5.8 147
1554SGY	1554S2GY	inch mm	6.3 160	6.3 160	3.5 90	2.95 75	.59 15	1554RPL	inch mm	5.94 151	5.8 147
1554HGY	1554H2GY	inch mm	7.1 180	4.7 120	2.4 60	1.77 45	.59 15	1554HPL	inch mm	6.6 168	4.2 107
1554TGY	1554T2GY	inch mm	7.1 180	4.7 120	3.5 90	2.95 75	.59 15	1554HPL	inch mm	6.6 168	4.2 107
1554UGY	1554U2GY	inch mm	7.9 200	4.7 120	3.5 90	2.95 75	.59 15	1554UPL	inch mm	7.6 193	4.2 107
1554VGY	1554V2GY	inch mm	9.5 240	6.3 160	3.5 90	2.95 75	.59 15	1554VPL	inch mm	9.1 231	5.7 145

NOTE: Please refer to our website www.hammondmfg.com for complete drawings & photos of each part number



CANADA
Guelph, Ontario (519) 822-2960
St. Laurent, Quebec (514) 343-9010
USA
Cheektowaga, NY (716) 651-0086



EUROPE
Basingstoke, UK +44 1256 812812

AUSTRALASIA
Queenstown, SA, Australia +61 8 8240 2244

Watertight Clear Lid - (1554 Series)

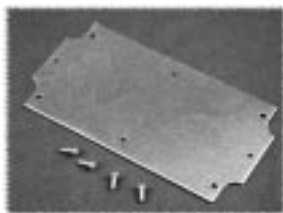
Plastic



KEY FEATURES

- Electronic instrument enclosures, designed for mounting printed circuit boards or DIN rail mounted components.
- Clear polycarbonate lid allows for maximum visibility of protected internal components.
- Molded in polycarbonate material which carries a UL flammability rating of UL94 5V and is suitable for outdoor use.
- Color is light gray (RAL 7035)
- Gasketed lid with two piece “tongue & groove” construction provides protection against access of oil, dust and water.
- Designed to meet IP66 & NEMA 4, 4X, 12 & 13 ratings
- Gasket is factory poured using high temperature U.L. listed - silicone rubber gasket material.
- Lid is secured with self capturing M4 stainless steel machine screws (included), threaded into integral stainless steel bushings (for repetitive assembly & disassembly).
- All stainless steel hardware to avoid corrosion caused by dissimilar metals.
- Lid and mounting holes are located outside of the gasket seal.
- Heavy duty 16 gauge galvanized steel panels available (see chart)
- Internal features are maximized for mounting options:
 - Internal DIN rail mounting tabs molded in all except the 1554C2GYCL
 - Threaded (M3) integral brass inserts & standoffs designed for M3.5 or #6 self tapping screws for P.C. board or inner panel mounting in all but the smallest size (1554B2GYCL)
 - Vertical P.C. card guides (for 1.5 mm thick P.C. boards) are molded in all but the smallest size (1554B2GYCL)

ACCESSORIES

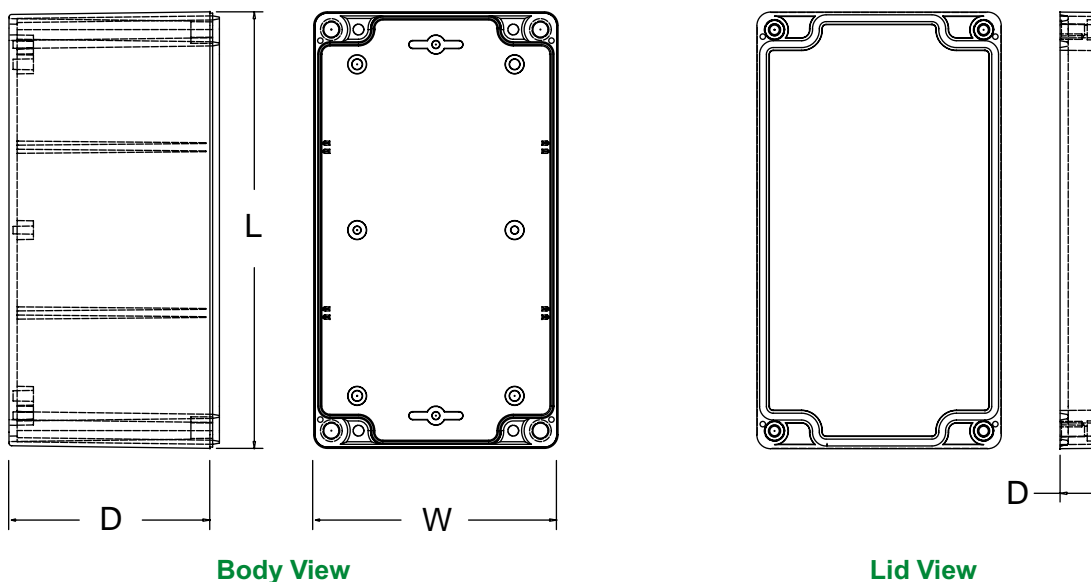


Panels

Heavy duty panel for mounting components. Galvanized 16 ga. steel. Includes mounting hardware. **See table (facing page) for part numbers**



Watertight Clear Lid - (1554 Series)



Plastic

Part Number	Units	Dimensions					Optional Inner Panel Part Number	Units	Dimensions	
		Length (L)	Width (W)	Overall Depth (D)					Length	Width
				Assembled	Box	Lid				
1554B2GYCL	inch mm	2.6 65	2.6 65	1.6 40	.98 25	.59 15	1554BPL	inch mm	2.2 56	2.2 59
1554E2GYCL	inch mm	3.5 90	3.5 90	2.4 60	1.77 45	.59 15	1554EPL	inch mm	3.1 79	3.1 79
1554C2GYCL	inch mm	4.7 120	2.6 65	1.6 40	.98 25	.59 15	1554CPL	inch mm	4.4 112	2.1 53
1554D2GYCL	inch mm	4.7 120	2.6 65	2.4 60	1.77 45	.59 15	1554CPL	inch mm	4.4 112	2.1 53
1554F2GYCL	inch mm	4.7 120	3.5 90	2.4 60	1.77 45	.59 15	1554FPL	inch mm	4.3 109	3.1 79
1554G2GYCL	inch mm	4.7 120	3.5 90	3.2 80	2.56 65	.59 15	1554FPL	inch mm	4.3 109	3.1 79
1554N2GYCL	inch mm	4.7 120	4.7 120	2.4 60	1.77 45	.59 15	1554NPL	inch mm	4.25 108	4.2 107
1554P2GYCL	inch mm	4.7 120	4.7 120	3.15 80	2.56 65	.59 15	1554NPL	inch mm	4.25 108	4.2 107
1554J2GYCL	inch mm	6.3 160	3.5 90	2.4 60	1.77 45	.59 15	1554JPL	inch mm	5.8 147	3.0 76
1554K2GYCL	inch mm	6.3 160	3.5 90	3.5 90	2.95 75	.59 15	1554JPL	inch mm	5.8 147	3.0 76
1554R2GYCL	inch mm	6.3 160	6.3 160	2.4 60	1.77 45	.59 15	1554RPL	inch mm	5.94 151	5.8 147
1554S2GYCL	inch mm	6.3 160	6.3 160	3.5 90	2.95 75	.59 15	1554RPL	inch mm	5.94 151	5.8 147
1554H2GYCL	inch mm	7.1 180	4.7 120	2.4 60	1.77 45	.59 15	1554HPL	inch mm	6.6 168	4.2 107
1554T2GYCL	inch mm	7.1 180	4.7 120	3.5 90	2.95 75	.59 15	1554HPL	inch mm	6.6 168	4.2 107
1554U2GYCL	inch mm	7.9 200	4.7 120	3.5 90	2.95 75	.59 15	1554UPL	inch mm	7.6 193	4.2 107
1554V2GYCL	inch mm	9.5 240	6.3 160	3.5 90	2.95 75	.59 15	1554VPL	inch mm	9.1 231	5.7 145

NOTE: Please refer to our website www.hammondmfg.com for complete drawings & photos of each part number



CANADA
Guelph, Ontario (519) 822-2960
St. Laurent, Quebec (514) 343-9010
USA
Cheektowaga, NY (716) 651-0086

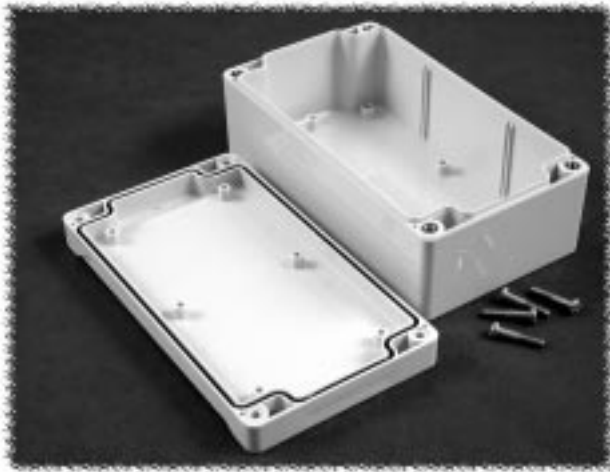
www.hammondmfg.com

EUROPE
Basingstoke, UK +44 1256 812812

AUSTRALASIA
Queenstown, SA, Australia +61 8 8240 2244

Watertight Styled Lid - (1555 Series)

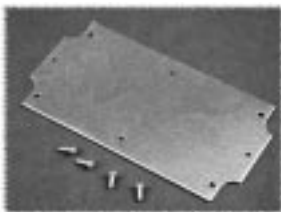
Plastic



KEY FEATURES

- Electronic instrument enclosures, designed for mounting printed circuit boards or DIN rail mounted components.
- “Styled” lid version has three main advantages over our flat lid (1554 series)
 - Smooth recessed surface on lid for a membrane keypad or label
 - Standoffs molded in the interior of the lid (except for the 1555BGY & 1555B2GY) - designed for #6 self tapping screws
 - More modern “styled” look vs. our traditional flat lid (1554 series)
- Molded in general purpose ABS plastic or polycarbonate material.
- The general purpose ABS plastic carries a UL flammability rating of UL94HB. Not recommended for outdoor use.
- The polycarbonate material carries a UL flammability rating of UL94 5V and is suitable for outdoor use.
- Color is light gray (RAL 7035)
- Gasketed lid with two piece “tongue & groove” construction provides protection against access of oil, dust and water.
- Designed to meet IP66 & NEMA 4, 4X, 12 & 13 ratings
- Gasket is factory poured using high temperature U.L. listed - silicone rubber gasket material.
- Lid is secured with self captivating M4 stainless steel machine screws (included), threaded into integral stainless steel bushings (for repetitive assembly & disassembly).
- All stainless steel hardware to avoid corrosion caused by dissimilar metals.
- Lid and mounting holes are located outside of the gasket seal.
- Heavy duty 16 gauge galvanized steel panels available (see chart)
- Internal features are maximized for mounting options:
 - Internal DIN rail mounting tabs molded in all except the 1555CGY & 1555C2GY.
 - Threaded (M3) integral brass inserts & standoffs designed for M3.5 or #6 self tapping screws for P.C. board or inner panel mounting in all but the smallest size (1555BGY & 1555B2GY)
 - Vertical P.C. card guides (for 1.5 mm thick P.C. boards) are molded in all but the smallest size (1555BGY & 1555B2GY)

ACCESSORIES

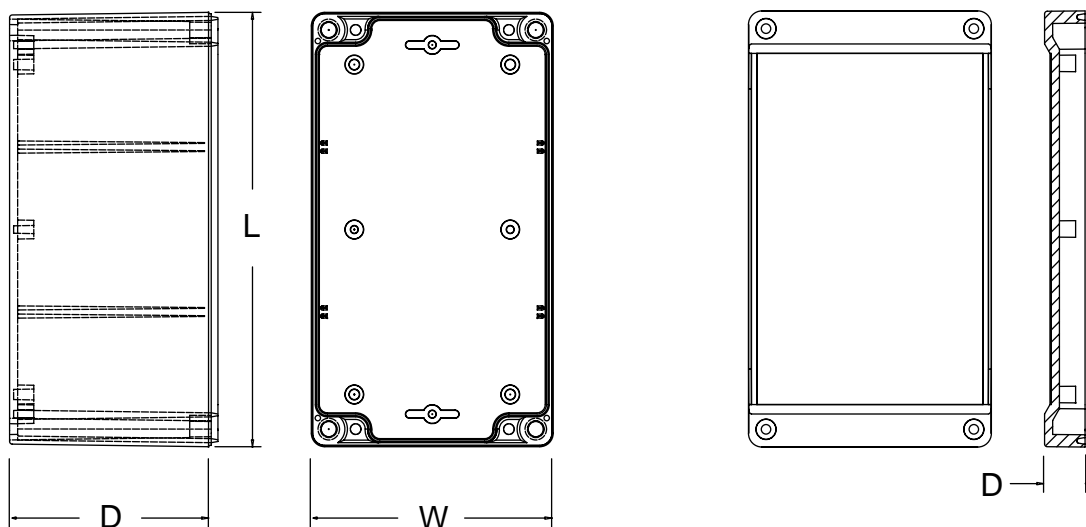


Panels

Heavy duty panel for mounting components. Galvanized 16 ga. steel. Includes mounting hardware.
See table (facing page) for part numbers



Watertight Styled Lid - (1555 Series)



Body View

Lid View

Plastic

Part Number		Units	Dimensions					Optional Inner Panel Part Number	Units	Dimensions	
ABS	Poly-carbonate		Length (L)	Width (W)	Overall Depth (D)					Length	Width
					Assembled	Box	Lid				
1555BGY	1555B2GY	inch	2.6	2.6	1.6	.98	.59	1554BPL	inch	2.2	2.2
		mm	65	65	40	25	15		mm	56	59
1555EGY	1555E2GY	inch	3.5	3.5	2.4	1.77	.59	1554EPL	inch	3.1	3.1
		mm	90	90	60	45	15		mm	79	79
1555CGY	1555C2GY	inch	4.7	2.6	1.6	.98	.59	1554CPL	inch	4.4	2.1
		mm	120	65	40	25	15		mm	112	53
1555DGY	1555D2GY	inch	4.7	2.6	2.4	1.77	.59	1554CPL	inch	4.4	2.1
		mm	120	65	60	45	15		mm	112	53
1555FGY	1555F2GY	inch	4.7	3.5	2.4	1.77	.59	1554FPL	inch	4.3	3.1
		mm	120	90	60	45	15		mm	109	79
1555GGY	1555G2GY	inch	4.7	3.5	3.2	2.56	.59	1554FPL	inch	4.3	3.1
		mm	120	90	80	65	15		mm	109	79
1555NGY	1555N2GY	inch	4.7	4.7	2.4	1.77	.59	1554NPL	inch	4.25	4.2
		mm	120	120	60	45	15		mm	108	107
1555PGY	1555P2GY	inch	4.7	4.7	3.15	2.56	.59	1554NPL	inch	4.25	4.2
		mm	120	120	80	65	15		mm	108	107
1555JGY	1555J2GY	inch	6.3	3.5	2.4	1.77	.59	1554JPL	inch	5.8	3.0
		mm	160	90	60	45	15		mm	147	76
1555KGY	1555K2GY	inch	6.3	3.5	3.5	2.95	.59	1554JPL	inch	5.8	3.0
		mm	160	90	90	75	15		mm	147	76
1555RGY	1555R2GY	inch	6.3	6.3	2.4	1.77	.59	1554RPL	inch	5.94	5.8
		mm	160	160	60	45	15		mm	151	147
1555SGY	1555S2GY	inch	6.3	6.3	3.5	2.95	.59	1554RPL	inch	5.94	5.8
		mm	160	160	90	75	15		mm	151	147
1555HGY	1555H2GY	inch	7.1	4.7	2.4	1.77	.59	1554HPL	inch	6.6	4.2
		mm	180	120	60	45	15		mm	168	107
1555TGY	1555T2GY	inch	7.1	4.7	3.5	2.95	.59	1554HPL	inch	6.6	4.2
		mm	180	120	90	75	15		mm	168	107
1555UGY	1555U2GY	inch	7.9	4.7	3.5	2.95	.59	1554UPL	inch	7.6	4.2
		mm	200	120	90	75	15		mm	193	107
1555VGY	1555V2GY	inch	9.5	6.3	3.5	2.95	.59	1554VPL	inch	9.1	5.7
		mm	240	160	90	75	15		mm	231	145

NOTE: Please refer to our website www.hammondmgf.com for complete drawings & photos of each part number



CANADA
Guelph, Ontario (519) 822-2960
St. Laurent, Quebec (514) 343-9010
USA
Cheektowaga, NY (716) 651-0086



EUROPE
Basingstoke, UK +44 1256 812812

AUSTRALASIA
Queenstown, SA, Australia +61 8 8240 2244

Miniature Multipurpose - ABS (1551 Series)

Plastic



KEY FEATURES

- Miniature electronic enclosures, ideally suited for mounting small printed circuit boards.
- Molded in a choice of black or grey general purpose ABS plastic.
- 2 P.C. board standoffs molded into interior.
- Lap joint construction provides protection against access of dust and splashing water.
- Designed to meet IP54
- Two versions available (with or without key ring kit).
- Models with key ring kit are predrilled in narrow side.

Satin texture finish...

Lap joint construction...



Unit assembled with self-tapping screws...

10



CANADA

Guelph, Ontario (519) 822-2960
St. Laurent, Quebec (514) 343-9010

USA

Cheektowaga, NY (716) 651-0086



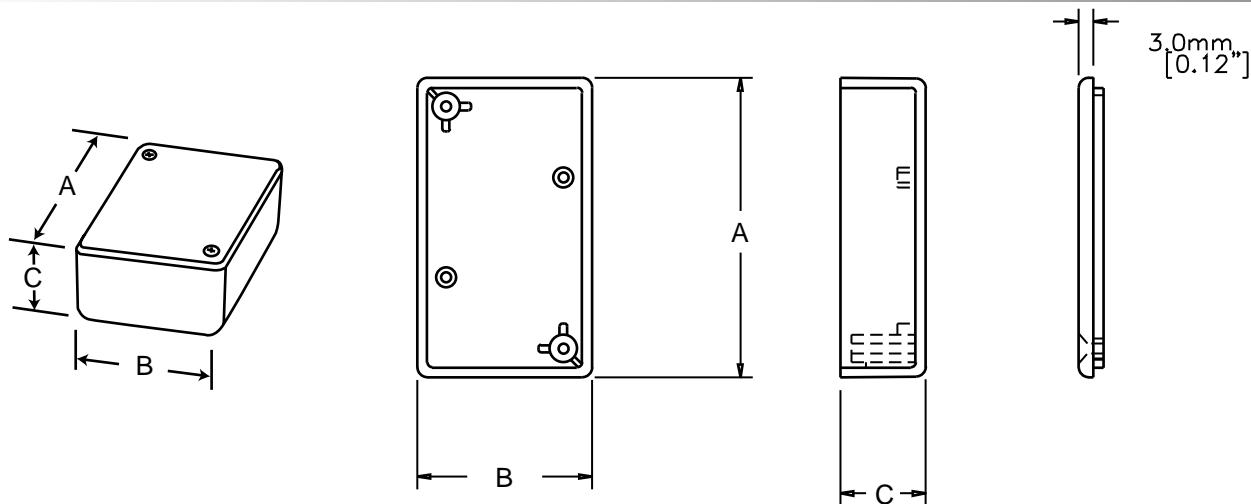
EUROPE

Basingstoke, UK +44 1256 812812

AUSTRALASIA

Queenstown, SA, Australia +61 8 8240 2244

Miniature Multipurpose - ABS (1551 Series)



WITHOUT KEY RING KIT

Part Number		Units	Dimensions		
Black	Grey		A	B	C (No Lid)
1551GBK	1551GGY	inch mm	1.97 50	1.38 35	.67 17
1551HBK	1551HGY	inch mm	2.36 60	1.38 35	.67 17
1551KBK	1551KGY	inch mm	3.15 80	1.57 40	.67 17

WITH KEY RING KIT

Part Number		Units	Dimensions		
Black	Grey		A	B	C (No Lid)
1551GRBK	1551GRGY	inch mm	1.97 50	1.38 35	.67 17
1551HRBK	1551HRGY	inch mm	2.36 60	1.38 35	.67 17
1551KRBK	1551KRGY	inch mm	3.15 80	1.57 40	.67 17

NOTES: - Assembled height = dimension "C" + 0.12" (3.0 mm)
 - Average wall thickness: 0.08" (2.0 mm)

ACCESSORIES



Internal (P.C.B.) Mount Screws

Self-tapping type, #2 x 3/16", nickel plated (used to mount P.C. board).

1551ATS100 - Package of 100



Replacement Screws

Self-tapping type, #4 x 0.5", nickel plated (used with grey enclosures).

1591TS100 - Package of 100



Key Ring Kit

Requires a 0.156" (4 mm) round hole for mounting. Consists of a tough black molded nylon post and a plated 3/4" (19 mm) key ring. **1427KR**



Replacement Screws

Self-tapping type, #4 x 0.5", black oxide (used with black enclosures).

1591TS100BK - Package of 100



CANADA
 Guelph, Ontario (519) 822-2960
 St. Laurent, Quebec (514) 343-9010
USA
 Cheektowaga, NY (716) 651-0086



EUROPE
 Basingstoke, UK +44 1256 812812

AUSTRALASIA
 Queenstown, SA, Australia +61 8 8240 2244

Translucent Polycarbonate (1591 Series)

Plastic



KEY FEATURES

- Electronic instrument enclosures, designed for mounting printed circuit boards.
- Ideally suited for modern styling or where internal components need to be visible.
- Molded in flame retardant, easy to machine, translucent polycarbonate (material carries a UL flammability rating of 94V-0).
- Integral card guides accept 1.5 mm (0.062") P.C. cards.
- Lap joint construction provides protection against access of dust and splashing water.
- Designed to meet IP54
- Ice blue version is almost totally transparent to blue, white and near white LEDs, readouts & displays.
- Crystal Clear version is almost totally transparent
- IR Red version is almost totally transparent to infrared devices.
- Visit our web site for color & detail photos of each part.
- Lid is secured with M3 x 10 mm Philips machine screws, threaded into tapped integral brass bushings.

ACCESSORIES



P.C. Board Card Adaptors

Allows horizontal mounting of P.C. board(s). **See "Accessories Section" for full details!**

- 1591Z6** - Package of 6
- 1591Z50** - Package of 50
- 1591Z100** - Package of 100



Flange Kits

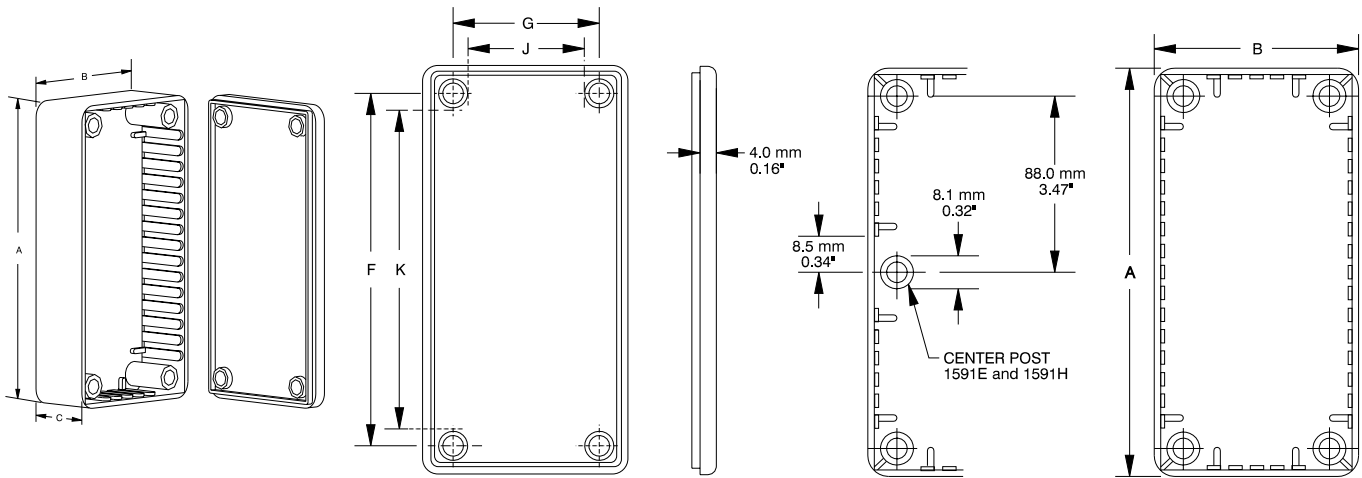
Mount to either the rear (using glue) or can be attached to the lid using existing lid screws and holes. **See "Accessories Section" for full details!**



Replacement Screws

Machine screws, nickel plated, M3 - 0.5 x 10mm
1591MS100 - Package of 100

Translucent Polycarbonate (1591 Series)



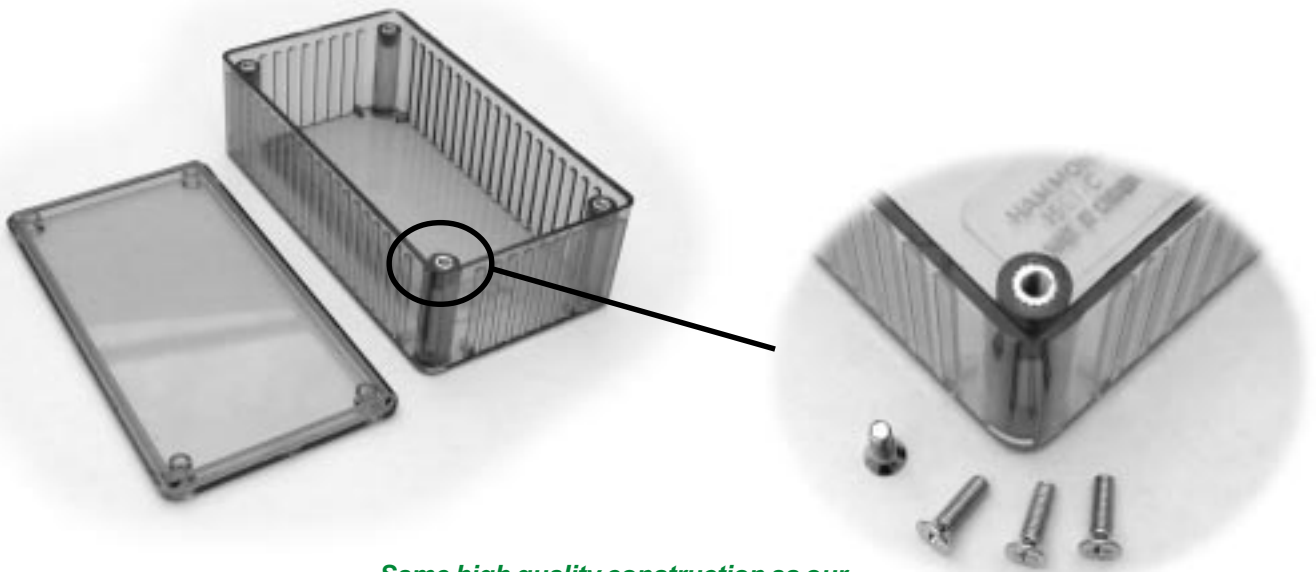
Lid (Inside & Edge View)

Top View

Plastic

Part Number			Units	Dimensions						P.C. Card Clearance	
Ice Blue	IR Red	Crystal Clear		A	B	C (No Lid)	F	G	J	K	
1591ATBU	1591ATRD	1591ATCL	inch mm	3.9 100	2.0 50	0.8 21	3.4 86	1.4 36	1.1 29	3.1 79	
1591BTBU	1591BTRD	1591BTCL	inch mm	4.4 112	2.4 62	1.1 27	3.9 98	1.9 48	1.6 41	3.5 91	
1591CTBU	1591CTRD	1591CTCL	inch mm	4.7 120	2.6 65	1.4 36	4.2 106	2.0 51	1.7 44	3.9 99	
1591DTBU	1591DTRD	1591DTCL	inch mm	5.9 150	3.2 80	1.8 46	5.4 136	2.6 66	2.3 59	5.0 129	
1591ETBU	1591ETRD	1591ETCL	inch mm	7.5 191	4.3 110	2.2 57	6.9 176	3.8 96	3.5 89	6.6 170	

NOTES: - Assembled height = dimension "C" + 0.16" (4.0 mm)
 - Average wall thickness: 0.06" (1.5 mm)



Same high quality construction as our
 ABS plastic series (brass inserts & machine screws)
 for repetitive assembly & disassembly...



CANADA
 Guelph, Ontario (519) 822-2960
 St. Laurent, Quebec (514) 343-9010
USA
 Cheektowaga, NY (716) 651-0086

www.hammondmfg.com

EUROPE
 Basingstoke, UK +44 1256 812812

AUSTRALASIA
 Queenstown, SA, Australia +61 8 8240 2244

Multipurpose - ABS (1591 Series)

Plastic

Brass bushings for repetitive assembly and disassembly...

No "gate" marks on bottom...



Uses machine screws into brass bushings...

Lap joint construction...

OTHER KEY FEATURES

- Electronic instrument enclosures, designed for mounting printed circuit boards.
- Integral card guides accept 1.5 mm (0.062") P.C. cards.
- Two piece lap joint construction provides protection against access of dust and splashing water.
- Designed to meet IP54
- Molded in flame retardant ABS plastic (material carries a UL flammability rating of 94V-0).
- Lid is secured with M3 x 10 mm Philips machine screws, threaded into integral brass bushings. The black enclosure comes with black screws. All others are nickel plated.

ACCESSORIES



P.C. Board Card Adaptors

Allows horizontal mounting of P.C. board(s). See "Accessories Section" for full details!
1591Z6 - Package of 6
1591Z50 - Package of 50
1591Z100 - Package of 100



Replacement Screws

Machine screws, nickel plated, M3 - 0.5 x 10mm
1591MS100 - Package of 100
Machine screws, black, M3 - 0.5 x 10mm
1591MS100BK - Package of 100



Flange Kits

Mount to either the rear (using glue) or can be attached to the lid using existing lid screws and holes. See "Accessories Section" for full details!



Clear Lids

Stocked in prototype quantities - made of clear, flame retardant polycarbonate. Lid ONLY.
1591LC - use with 1591L & M
1591AC - use with 1591A
1591BC - use with 1591B
1591CC - use with 1591C
1591DC - use with 1591D
1591EC - use with 1591E
1591GC - use with 1591G
1591HC - use with 1591H
1591SC - use with 1591S
1591TC - use with 1591T
1591UC - use with 1591U
1591VC - use with 1591V

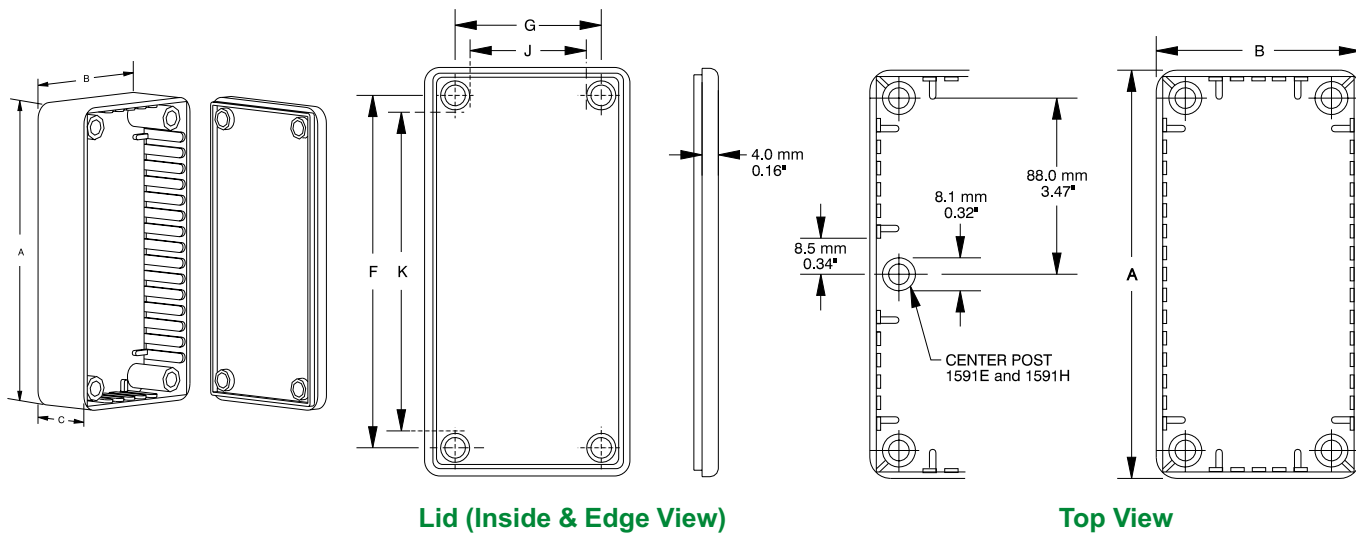


Belt or Pocket Clip

Molded from tough nylon, includes 2 nylon screws (insulated to avoid internal interference) and mounting template.
1599CLIP - Black
1599CLIPGY - Grey

Multipurpose - ABS (1591 Series)

Plastic



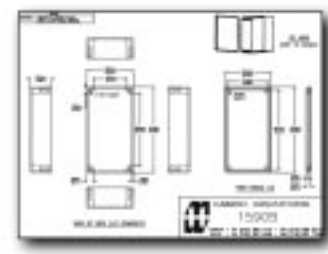
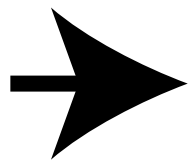
Lid (Inside & Edge View)

Top View

Part Number					Units	Dimensions					P.C. Card Clearance	
Beige	Black	Blue	Grey	Black Shielded		A	B	C (No Lid)	F	G	J	K
1591MBG	1591MBK	1591MBU	1591MGY	1591RMBK	inch	3.3	2.2	0.8	2.8	1.7	1.3	2.5
					mm	85	56	21	71	42	34	63
1591LBG	1591LBK	1591LBU	1591LGY	1591RLBK	inch	3.3	2.2	1.4	2.9	1.7	1.4	2.5
					mm	85	56	35	73	44	35	64
1591ABG	1591ABK	1591ABU	1591AGY	1591RABK	inch	3.9	2.0	0.8	3.4	1.4	1.1	3.1
					mm	100	50	21	86	36	29	79
1591SBG	1591SBK	1591SBU	1591SGY	1591RSBK	inch	4.3	3.2	1.6	3.8	2.7	2.4	3.5
					mm	110	82	40	98	70	61	89
1591BBG	1591BBK	1591BBU	1591BGY	1591RBBK	inch	4.4	2.4	1.1	3.9	1.9	1.6	3.5
					mm	112	62	27	98	48	41	91
1591CBG	1591CBK	1591CBU	1591CGY	1591RCBK	inch	4.7	2.6	1.4	4.2	2.0	1.7	3.9
					mm	120	65	36	106	51	44	99
1591TBG	1591TBK	1591TBU	1591TGY	1591RTBK	inch	4.7	3.2	2.2	4.2	2.6	2.3	3.9
					mm	120	80	55	106	66	59	99
1591UBG	1591UBK	1591UBU	1591UGY	1591RUBK	inch	4.7	4.7	2.2	4.2	4.2	3.9	3.9
					mm	120	120	55	106	106	99	99
1591VBG	1591VBK	1591VBU	1591VGY	1591RVBK	inch	4.7	4.7	3.5	4.2	4.2	3.9	3.9
					mm	120	120	90	106	106	99	99
1591GBG	1591GBK	1591GBU	1591GGY	1591RGBK	inch	4.8	3.7	1.2	4.2	3.1	2.8	3.9
					mm	121	94	30	106	79	73	100
1591DBG	1591DBK	1591DBU	1591DGY	1591RDBK	inch	5.9	3.2	1.8	5.4	2.6	2.3	5.0
					mm	150	80	46	136	66	59	129
1591HBG	1591HBK	1591HBU	1591HGY	1591RHBK	inch	6.5	2.8	1.0	6.0	2.2	1.9	5.6
					mm	165	71	25	153	56	50	144
1591EBG	1591EBK	1591EBU	1591EGY	1591REBK	inch	7.5	4.3	2.2	6.9	3.8	3.5	6.6
					mm	191	110	57	176	96	89	170

NOTES: - Assembled height = dimension "C" + 0.16" (4.0 mm)
 - Average wall thickness: 0.06" (1.5 mm)

For detailed drawings, CAD files and color photos visit our website at: www.hammondmg.com



CANADA
 Guelph, Ontario (519) 822-2960
 St. Laurent, Quebec (514) 343-9010
USA
 Cheektowaga, NY (716) 651-0086

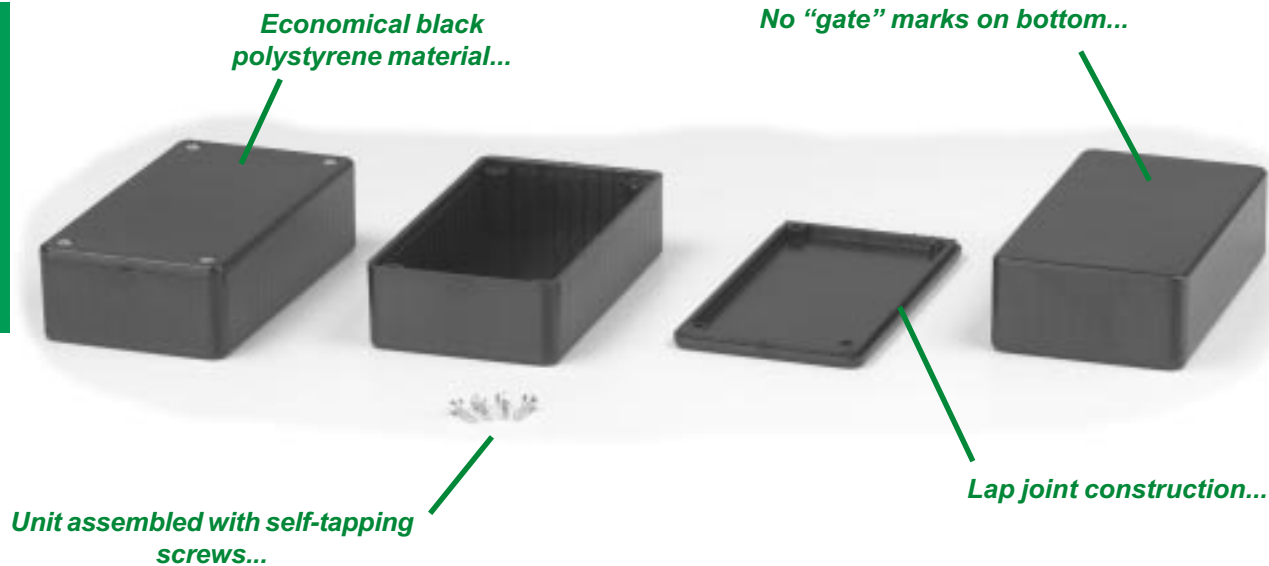
www.hammondmg.com

EUROPE
 Basingstoke, UK +44 1256 812812

AUSTRALASIA
 Queenstown, SA, Australia +61 8 8240 2244

Multipurpose - Polystyrene (1591 Series)

Plastic



OTHER KEY FEATURES

- Electronic instrument enclosures, designed for mounting printed circuit boards.
- Integral card guides accept 1.5 mm (0.062") P.C. cards.
- Lap joint construction provides protection against access of dust and splashing water.
- Designed to meet IP54
- Molded in economical black polystyrene.
- Lid is secured with black anodized self-tapping #4 x 0.5" Philips screws.

ACCESSORIES



P.C. Board Card Adaptors

Allows horizontal mounting of P.C. board(s). See "Accessories Section" for full details!
1591Z6 - Package of 6
1591Z50 - Package of 50
1591Z100 - Package of 100



Replacement Screws

Self-tapping type, black oxide, #4 x 0.5"
1591TS100BK - Package of 100



Flange Kits

Mount to either the rear (using glue) or can be attached to the lid using existing lid screws and holes. See "Accessories Section" for full details!



Clear Lids

Stocked in prototype quantities - made of clear, flame retardant polycarbonate. Lid ONLY.
1591LC - use with 1591L & M
1591AC - use with 1591A
1591BC - use with 1591B
1591CC - use with 1591C
1591DC - use with 1591D
1591EC - use with 1591E
1591GC - use with 1591G
1591HC - use with 1591H
1591SC - use with 1591S
1591TC - use with 1591T
1591UC - use with 1591U
1591VC - use with 1591V

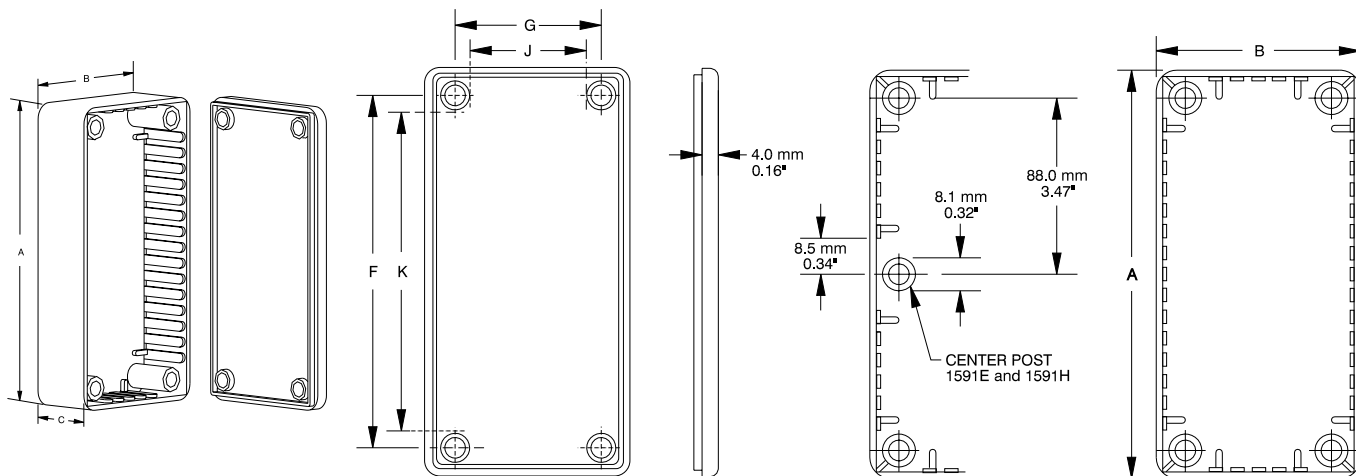


Belt or Pocket Clip

Molded from tough nylon, includes 2 nylon screws and mounting template.
1599CLIP - Black
1599CLIPGY - Grey

Multipurpose - Polystyrene (1591 Series)

Plastic



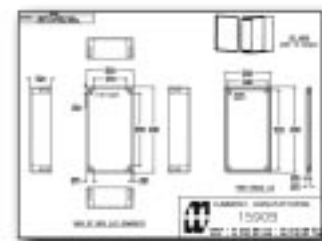
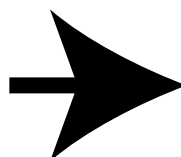
Lid (Inside & Edge View)

Top View

Part Number	Units	Dimensions						P.C. Card Clearance	
		A	B	C (No Lid)	F	G	J	K	
1591MSBK	inch	3.3	2.2	0.8	2.8	1.7	1.3	2.5	
	mm	85	56	21	71	42	34	63	
1591LSBK	inch	3.3	2.2	1.4	2.9	1.7	1.4	2.5	
	mm	85	56	35	73	44	35	64	
1591ASBK	inch	3.9	2.0	0.8	3.4	1.4	1.1	3.1	
	mm	100	50	21	86	36	29	79	
1591SSBK	inch	4.3	3.2	1.6	3.8	2.7	2.4	3.5	
	mm	110	82	40	98	70	61	89	
1591BSBK	inch	4.4	2.4	1.1	3.9	1.9	1.6	3.5	
	mm	112	62	27	98	48	41	91	
1591CSBK	inch	4.7	2.6	1.4	4.2	2.0	1.7	3.9	
	mm	120	65	36	106	51	44	99	
1591TSBK	inch	4.7	3.2	2.2	4.2	2.6	2.3	3.9	
	mm	120	80	55	106	66	59	99	
1591USBK	inch	4.7	4.7	2.2	4.2	4.2	3.9	3.9	
	mm	120	120	55	106	106	99	99	
1591VSBK	inch	4.7	4.7	3.5	4.2	4.2	3.9	3.9	
	mm	120	120	90	106	106	99	99	
1591GSBK	inch	4.8	3.7	1.2	4.2	3.1	2.8	3.9	
	mm	121	94	30	106	79	73	100	
1591DSBK	inch	5.9	3.2	1.8	5.4	2.6	2.3	5.0	
	mm	150	80	46	136	66	59	129	
1591HSBK	inch	6.5	2.8	1.0	6.0	2.2	1.9	5.6	
	mm	165	71	25	153	56	50	144	
1591ESBK	inch	7.5	4.3	2.2	6.9	3.8	3.5	6.6	
	mm	191	110	57	176	96	89	170	

NOTES: - Assembled height = dimension "C" + 0.16" (4.0 mm)
 - Average wall thickness: 0.08" (2.0 mm)

For detailed drawings, CAD files and color photos visit our website at: www.hammondmg.com



CANADA
 Guelph, Ontario (519) 822-2960
 St. Laurent, Quebec (514) 343-9010
USA
 Cheektowaga, NY (716) 651-0086

www.hammondmg.com

EUROPE
 Basingstoke, UK +44 1256 812812

AUSTRALASIA
 Queenstown, SA, Australia +61 8 8240 2244

Flanged Lid Version - ABS (1591 Series)

Plastic



Molded in Flame Retardant ABS

Brass bushings for repetitive assembly and disassembly...

P.C. board standoffs molded into lid...

Lap joint construction...

Enclosure uses machine screws into brass bushings...

OTHER KEY FEATURES

- Electronic instrument enclosures, designed for mounting printed circuit boards.
- Designed for applications where the enclosure needs to be easily wall or shelf mounted.
- Perfect where extra enclosure security is required by restricting access to lid screws.
- Integral card guides accept 1.5 mm (0.062") P.C. cards.
- Lap joint construction provides protection against access of dust and splashing water.
- Designed to meet IP54
- Molded in flame retardant ABS plastic (material carries a UL flammability rating of 94V-0).
- Lid is secured with M3 x 10 mm Philips machine screws, threaded into integral brass bushings. The black enclosure comes with black screws. The grey are nickel plated.

ACCESSORIES



P.C. Board Card Adaptors

Allows horizontal mounting of P.C. board(s). See "Accessories Section" for full details!

- 1591Z6** - Package of 6
- 1591Z50** - Package of 50
- 1591Z100** - Package of 100



Replacement Screws

Machine screws, nickel plated, M3 - 0.5 x 10mm

1591MS100 - Package of 100

Machine screws, black, M3 - 0.5 x 10mm

1591MS100BK - Package of 100



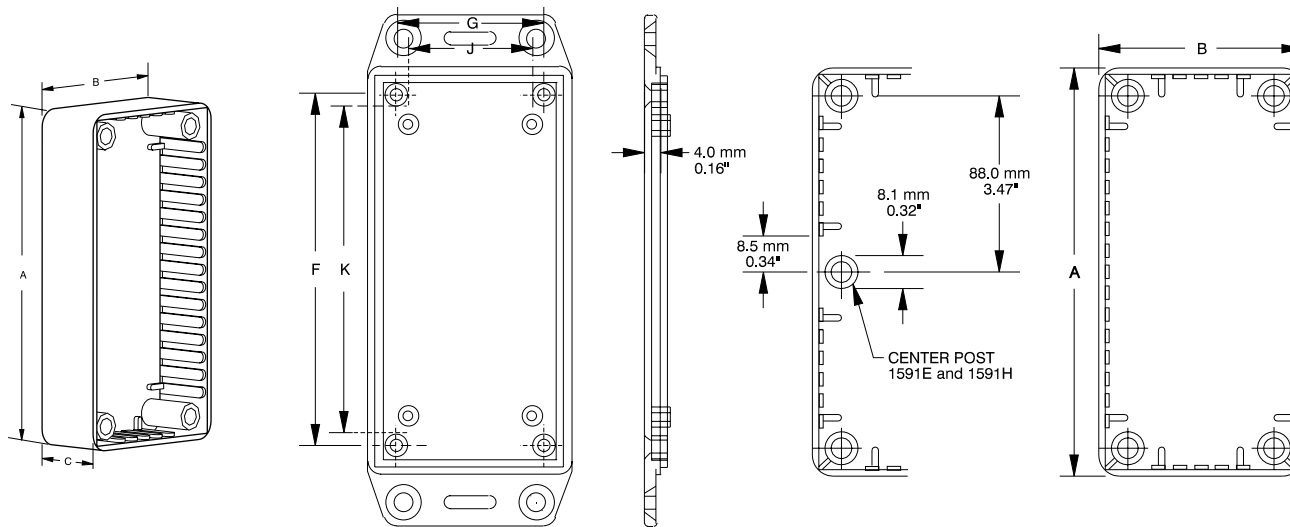
P.C. Board Screws

Self-tapping type, used for bosses in the 1591 lid for P.C. board installation. #4 x 1/4" (6.4 mm)

- 1593ATS50** - Package of 50
- 1593ATS100** - Package of 100

Flanged Lid Version - ABS (1591 Series)

Plastic



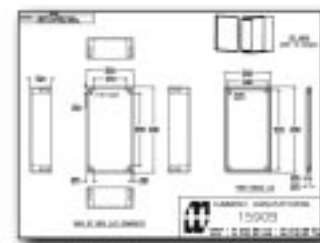
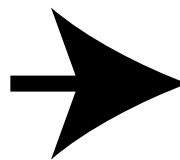
Lid (Inside & Edge View)

Top View

Part Number		Units	Dimensions					P.C. Card Clearance	
Black	Grey		A	B	C (No Lid)	F	G	J	K
1591MFLBK	1591MFLGY	inch	3.3	2.2	0.8	2.8	1.7	1.3	2.5
		mm	85	56	21	71	42	34	63
1591LFLBK	1591LFLGY	inch	3.3	2.2	1.4	2.9	1.7	1.4	2.5
		mm	85	56	35	73	44	35	64
1591AFLBK	1591AFLGY	inch	3.9	2.0	0.8	3.4	1.4	1.1	3.1
		mm	100	50	21	86	36	29	79
1591SFLBK	1591SFLGY	inch	4.3	3.2	1.6	3.8	2.7	2.4	3.5
		mm	110	82	40	98	70	61	89
1591BFLBK	1591BFLGY	inch	4.4	2.4	1.1	3.9	1.9	1.6	3.5
		mm	112	62	27	98	48	41	91
1591CFLBK	1591CFLGY	inch	4.7	2.6	1.4	4.2	2.0	1.7	3.9
		mm	120	65	36	106	51	44	99
1591TFLBK	1591TFLGY	inch	4.7	3.2	2.2	4.2	2.6	2.3	3.9
		mm	120	80	55	106	66	59	99
1591UFLBK	1591UFLGY	inch	4.7	4.7	2.2	4.2	4.2	3.9	3.9
		mm	120	120	55	106	106	99	99
1591VFLBK	1591VFLGY	inch	4.7	4.7	3.5	4.2	4.2	3.9	3.9
		mm	120	120	90	106	106	99	99
1591GFLBK	1591GFLGY	inch	4.8	3.7	1.2	4.2	3.1	2.8	3.9
		mm	121	94	30	106	79	73	100
1591DFLBK	1591DFLGY	inch	5.9	3.2	1.8	5.4	2.6	2.3	5.0
		mm	150	80	46	136	66	59	129
1591HFLBK	1591HFLGY	inch	6.5	2.8	1.0	6.0	2.2	1.9	5.6
		mm	165	71	25	153	56	50	144
1591EFLBK	1591EFLGY	inch	7.5	4.3	2.2	6.9	3.8	3.5	6.6
		mm	191	110	57	176	96	89	170

NOTES: - Assembled height = dimension "C" + 0.16" (4.0 mm)
 - Average wall thickness: 0.06" (1.5 mm)

For detailed drawings, CAD files and color photos visit our website at: www.hammondmg.com



CANADA
 Guelph, Ontario (519) 822-2960
 St. Laurent, Quebec (514) 343-9010
USA
 Cheektowaga, NY (716) 651-0086

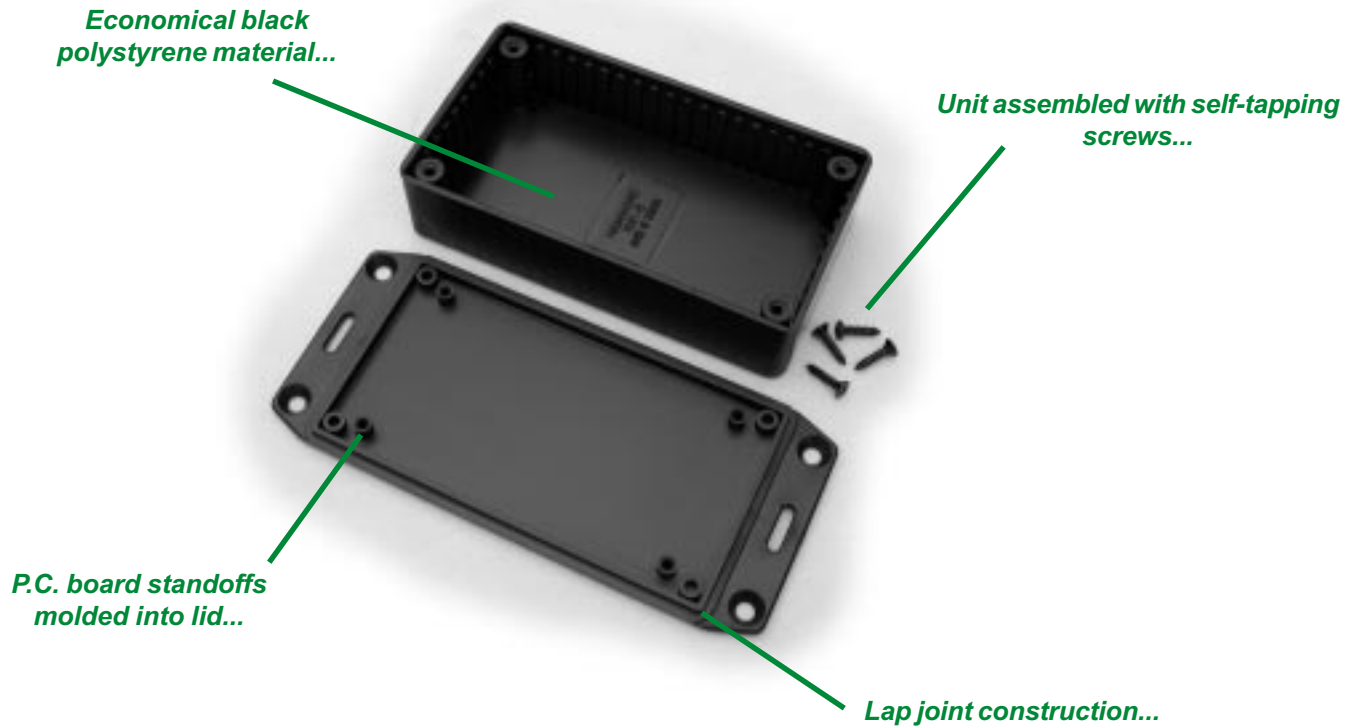
www.hammondmg.com

EUROPE
 Basingstoke, UK +44 1256 812812

AUSTRALASIA
 Queenstown, SA, Australia +61 8 8240 2244

Flanged Lid Version - Polystyrene (1591 Series)

Plastic



OTHER KEY FEATURES

- Electronic instrument enclosures, designed for mounting printed circuit boards.
- Designed for applications where the enclosure needs to be easily wall or shelf mounted.
- Perfect where extra enclosure security is required by restricting access to lid screws.
- Integral card guides accept 1.5 mm (0.062") P.C. cards.
- Two piece lap joint construction provides protection against access of dust and splashing water.
- Designed to meet IP54
- Molded in economical black polystyrene.
- Lid is secured with black self-tapping #4 x 0.5" Philips screws.

ACCESSORIES



P.C. Board Card Adaptors

Allows horizontal mounting of P.C. board(s). See "Accessories Section" for full details!

- 1591Z6** - Package of 6
- 1591Z50** - Package of 50
- 1591Z100** - Package of 100



Replacement Screws

Self-tapping type, black oxide, #4 x 0.5"

1591TS100BK - Package of 100



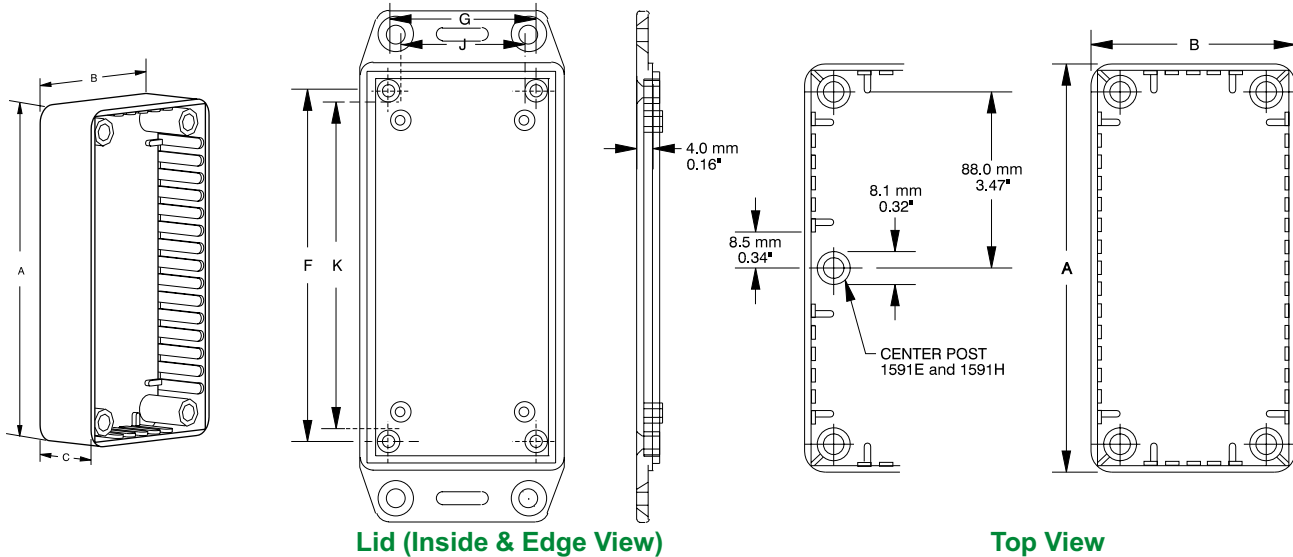
P.C. Board Screws

Self-tapping type, used for bosses in the 1591 lid for P.C. board installation. #4 x 1/4" (6.4 mm)

- 1593ATS50** - Package of 50
- 1593ATS100** - Package of 100

Flanged Lid Version - Polystyrene (1591 Series)

Plastic



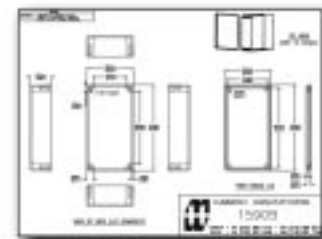
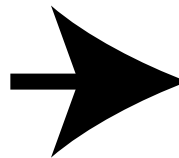
Lid (Inside & Edge View)

Top View

Part Number	Units	Dimensions					P.C. Card Clearance	
		A	B	C (No Lid)	F	G	J	K
1591MSFLBK	inch	3.3	2.2	0.8	2.8	1.7	1.3	2.5
	mm	85	56	21	71	42	34	63
1591LSFLBK	inch	3.3	2.2	1.4	2.9	1.7	1.4	2.5
	mm	85	56	35	73	44	35	64
1591ASFLBK	inch	3.9	2.0	0.8	3.4	1.4	1.1	3.1
	mm	100	50	21	86	36	29	79
1591SSFLBK	inch	4.3	3.2	1.6	3.8	2.7	2.4	3.5
	mm	110	82	40	98	70	61	89
1591BSFLBK	inch	4.4	2.4	1.1	3.9	1.9	1.6	3.5
	mm	112	62	27	98	48	41	91
1591CSFLBK	inch	4.7	2.6	1.4	4.2	2.0	1.7	3.9
	mm	120	65	36	106	51	44	99
1591TSFLBK	inch	4.7	3.2	2.2	4.2	2.6	2.3	3.9
	mm	120	80	55	106	66	59	99
1591USFLBK	inch	4.7	4.7	2.2	4.2	4.2	3.9	3.9
	mm	120	120	55	106	106	99	99
1591VSFLBK	inch	4.7	4.7	3.5	4.2	4.2	3.9	3.9
	mm	120	120	90	106	106	99	99
1591GSFLBK	inch	4.8	3.7	1.2	4.2	3.1	2.8	3.9
	mm	121	94	30	106	79	73	100
1591DSFLBK	inch	5.9	3.2	1.8	5.4	2.6	2.3	5.0
	mm	150	80	46	136	66	59	129
1591HSFLBK	inch	6.5	2.8	1.0	6.0	2.2	1.9	5.6
	mm	165	71	25	153	56	50	144
1591ESFLBK	inch	7.5	4.3	2.2	6.9	3.8	3.5	6.6
	mm	191	110	57	176	96	89	170

NOTES: - Assembled height = dimension "C" + 0.16" (4.0 mm)
 - Average wall thickness: 0.08" (2.0 mm)

For detailed drawings, CAD files and color photos visit our website at:
www.hammondmg.com



CANADA
 Guelph, Ontario (519) 822-2960
 St. Laurent, Quebec (514) 343-9010
USA
 Cheektowaga, NY (716) 651-0086

www.hammondmg.com

EUROPE
 Basingstoke, UK +44 1256 812812

AUSTRALASIA
 Queenstown, SA, Australia +61 8 8240 2244

Multipurpose - With Bottom Flange (1591 Series)

Plastic

Available in flame retardant ABS plastic OR economical polystyrene (black only)...

Flame retardant ABS version includes wear resistant brass bushings...

Flanges are factory glued to rear (also allows easy access to lid)...

Flange slots allow for easy cable tie hanging...

Flame retardant ABS version includes machine screws (polystyrene are self-tapping)...

OTHER KEY FEATURES

- Electronic instrument enclosures, designed for mounting printed circuit boards.
- Integral card guides accept 1.5 mm (0.062") P.C. cards.
- Lap joint construction provides protection against access of dust and splashing water.
- Designed to meet IP54
- Designed for applications where the enclosure needs to be easily wall or shelf mounted.
- No "gate" (circle) marks on bottom of enclosure
- Available in either flame retardant black ABS plastic (material carries a UL flammability rating of 94V-0) or economical black polystyrene.
- Flame retardant ABS version's lid is secured with black M3 x 10 mm Philips machine screws, threaded into integral brass bushings.
- Polystyrene version's lid is secured with black self-tapping #4 x 0.5" Philips screws.

ACCESSORIES



P.C. Board Card Adaptors

Allows horizontal mounting of P.C. board(s). See "Accessories Section" for full details!

- 1591Z6** - Package of 6
- 1591Z50** - Package of 50
- 1591Z100** - Package of 100



Clear Lids

Stocked in prototype quantities - made of clear flame retardant polycarbonate. Lid ONLY.

- 1591LC** - use with 1591L & M
- 1591AC** - use with 1591A
- 1591BC** - use with 1591B
- 1591CC** - use with 1591C
- 1591DC** - use with 1591D
- 1591EC** - use with 1591E
- 1591GC** - use with 1591G
- 1591HC** - use with 1591H
- 1591SC** - use with 1591S
- 1591TC** - use with 1591T
- 1591UC** - use with 1591U
- 1591VC** - use with 1591V



Replacement Screws

Machine screws, black, M3 - 0.5 x 10mm (used in the ABS version).

- 1591MS100BK** - Package of 100



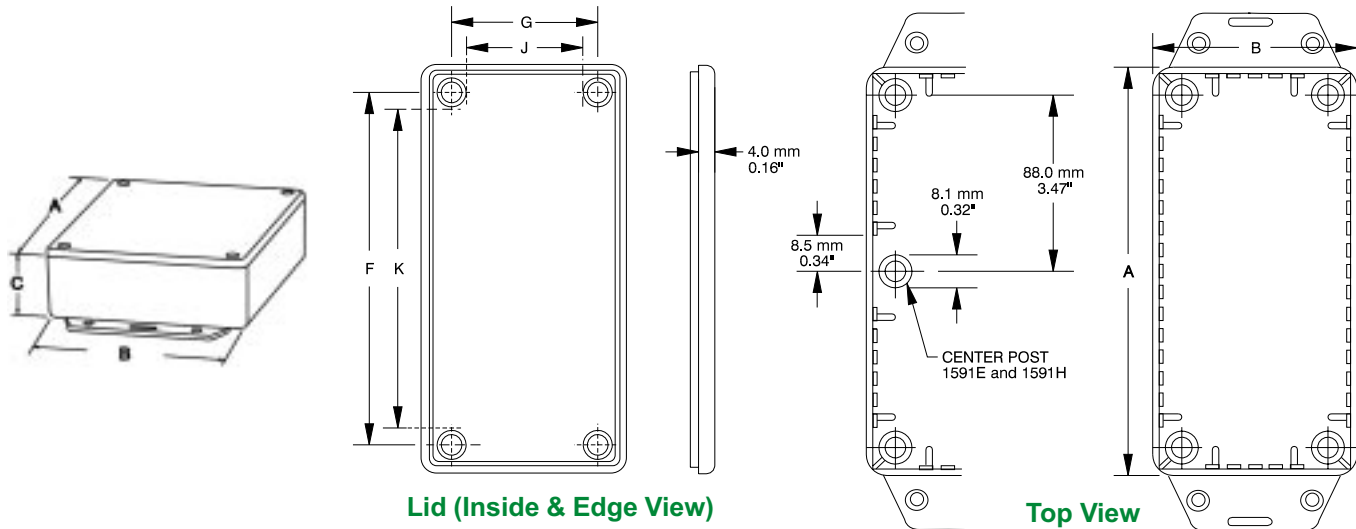
Replacement Screws

Self-tapping type, black oxide, #4 x 0.5" (used in the polystyrene version).

- 1591TS100BK** - Package of 100

Multipurpose - With Bottom Flange (1591 Series)

Plastic

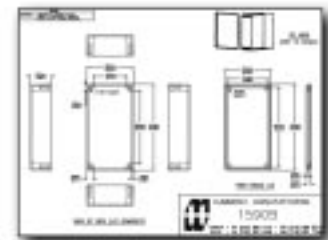
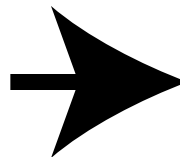


Part Number		Units	Dimensions					P.C. Card Clearance	
Black ABS with flange	Black Styrene with flange		A	B	C (No Lid)	F	G	J	K
1591MFBK	1591MFSBK	inch mm	3.3 85	2.2 56	0.8 21	2.8 71	1.7 42	1.3 34	2.5 63
1591LFBK	1591LFSBK	inch mm	3.3 85	2.2 56	1.4 35	2.9 73	1.7 44	1.4 35	2.5 64
1591AFBK	1591AFSBK	inch mm	3.9 100	2.0 50	0.8 21	3.4 86	1.4 36	1.1 29	3.1 79
1591SFBK	1591SFSBK	inch mm	4.3 110	3.2 82	1.6 40	3.8 98	2.7 70	2.4 61	3.5 89
1591BFBK	1591BFSBK	inch mm	4.4 112	2.4 62	1.1 27	3.9 98	1.9 48	1.6 41	3.5 91
1591CFBK	1591CFSBK	inch mm	4.7 120	2.6 65	1.4 36	4.2 106	2.0 51	1.7 44	3.9 99
1591TFBK	1591TFSBK	inch mm	4.7 120	3.2 80	2.2 55	4.2 106	2.6 66	2.3 59	3.9 99
1591UFBK	1591UFSBK	inch mm	4.7 120	4.7 120	2.2 55	4.2 106	4.2 106	3.9 99	3.9 99
1591VFBK	1591VFSBK	inch mm	4.7 120	4.7 120	3.5 90	4.2 106	4.2 106	3.9 99	3.9 99
1591GFBK	1591GFSBK	inch mm	4.8 121	3.7 94	1.2 30	4.2 106	3.1 79	2.8 73	3.9 100
1591DFBK	1591DFSBK	inch mm	5.9 150	3.2 80	1.8 46	5.4 136	2.6 66	2.3 59	5.0 129
1591HFBK	1591HFSBK	inch mm	6.5 165	2.8 71	1.0 25	6.0 153	2.2 56	1.9 50	5.6 144
1591EFBK	1591EFSBK	inch mm	7.5 191	4.3 110	2.2 57	6.9 176	3.8 96	3.5 89	6.6 170

NOTES: - Assembled height = dimension "C" + 0.16" (4.0 mm)
 - Average wall thickness: Flame retardant ABS=0.06" (1.5 mm), Polystyrene = 0.08" (2.0 mm)

For detailed drawings, CAD files or color photos visit our website at:

www.hammondmg.com



CANADA
 Guelph, Ontario (519) 822-2960
 St. Laurent, Quebec (514) 343-9010
USA
 Cheektowaga, NY (716) 651-0086

www.hammondmg.com

EUROPE
 Basingstoke, UK +44 1256 812812

AUSTRALASIA
 Queenstown, SA, Australia +61 8 8240 2244

Hand Held Display (1592 Series)

Plastic

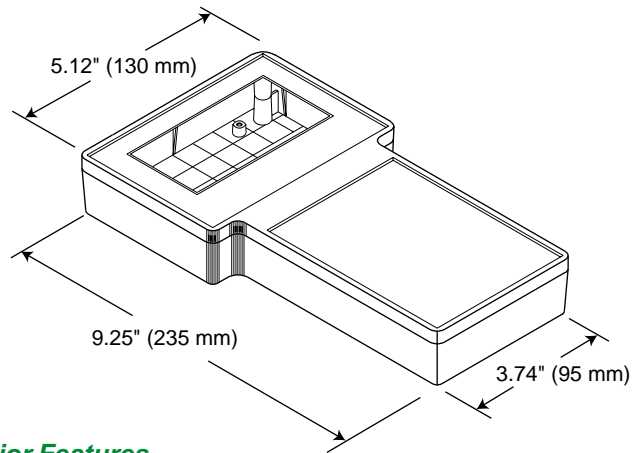
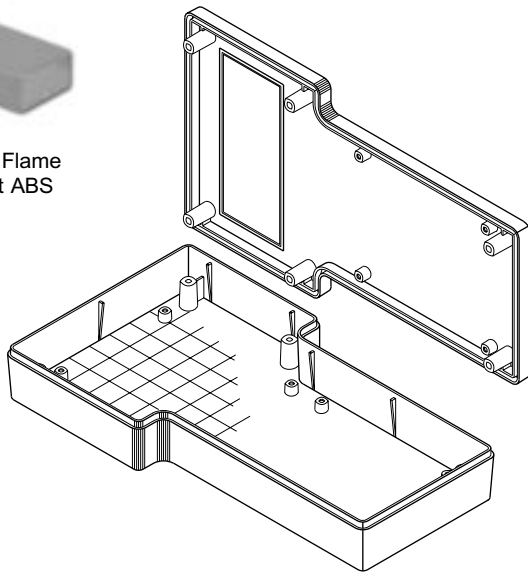


KEY FEATURES

- Ergonomically designed for a comfortable fit into the user's hand.
- Perfect for instrument or mobile data enclosures requiring a keypad and display.
- Available with either a solid display area (1592ETSD) or a versatile opening with a clear lens (1592ETCD).
- Molded in flame retardant ABS plastic, choice of black or grey (material carries a UL flammability rating of 94V-O)
- 1592ETSD offers a solid display area 122 mm x 85 mm (4.8" x 3.4") that will accommodate display boards up to 118 mm x 60 mm (4.6" x 2.37").
- 1592ETCD offers a clear polycarbonate lens 102 mm x 45 mm (4.0" x 1.77") and a plain mylar mask kit allowing for installation of a wide variety of display boards. The lens fits snugly into the case and provides protection from dirt and dust.
- The back of the case has been designed to accept a magnetic strip or velcro mounting tab (see accessories).
- The display area has been insert tooled in order to provide the capability of custom molding a low-cost display area to specific requirements.



Molded in Flame Retardant ABS



Key Pad Area Features

Has been designed to accept membrane keypads up to 87 mm x 119 mm (3.4" x 4.68"). Insert tooled in order to provide the capability of custom molding a low-cost display area to specific requirements.

Rubber Feet Features

Designed in order to fit into the recessed mounting screw areas to provide both a standoff from the work surface as well as additional sealing from dirt and moisture.

Interior Features

A total of eight mounting bosses have been provided in order to facilitate the use of P.C. cards and other components. These bosses have been strategically placed to provide maximum usable space. A light crosshatch has been provided in order to facilitate layout design. The interior of the lid of the 1592ET has been designed with mounting bosses to facilitate use of displays and other components.

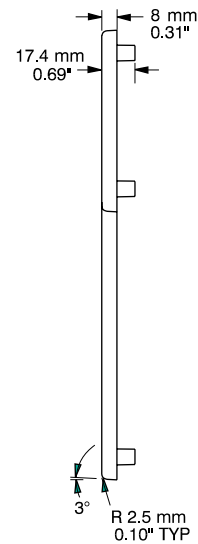
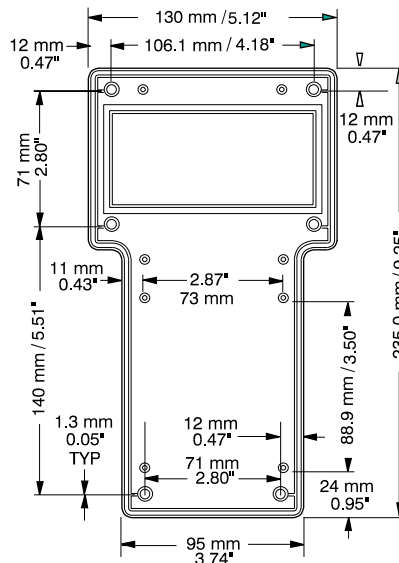
Gasket Features

The 1592ET has been designed to accommodate a gasket, available as accessory part 1592ETG. With proper sealing of the display lens, other modifications and the use of the gasket, the unit will provide protection from dirt, dust and liquids.

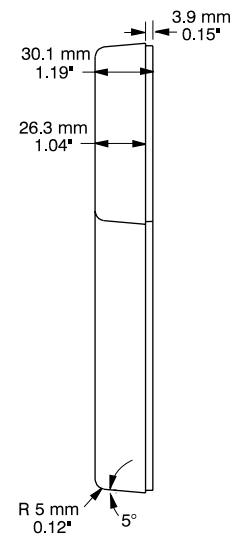
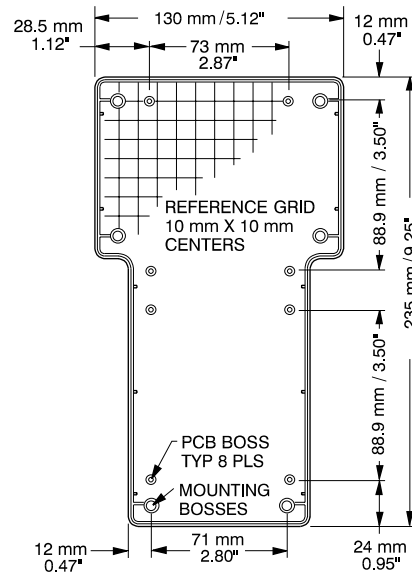
Hand Held Display (1592 Series)

Plastic

Lid (Inside & Edge View)



Base (Inside & Edge View)



Part Number	Color	Description
1592ETSDGY	Grey	Grey case with solid display area
1592ETSDBK	Black	Black case with solid display area
1592ETCDGY	Grey	Grey case with open display insert and clear polycarbonate lens kit
1592ETCDBK	Black	Black case with open display insert and clear polycarbonate lens kit
1592ETG		Gasket kit with 76 cm (30") of gasket (for one unit)
1592ETRF		Rubber feet (package of 6)
1592ETM		Magnetic strip 7.62 cm (3") square
1592ETV		Velcro mounting tab
1594MS100		M3 - 0.5 x 20mm countersunk flat head replacement screws



CANADA
Guelph, Ontario (519) 822-2960
St. Laurent, Quebec (514) 343-9010
USA
Cheektowaga, NY (716) 651-0086

www.hammondmfg.com

EUROPE
Basingstoke, UK +44 1256 812812

AUSTRALASIA
Queenstown, SA, Australia +61 8 8240 2244

Hand Held Instrument (1593 Series)

Plastic



KEY FEATURES

- Electronic instrument enclosures, ideally suited for mounting printed circuit boards.
- Ergonomically designed for a comfortable fit into the user's hand.
- Two piece lap joint construction provides protection against dust accumulation and splashing water.
- Molded in a choice of black or grey general purpose ABS plastic.
- Unit is secured with self-tapping screws.

ACCESSORIES



Replacement Screws

Package of 100 self-tapping #4 oval head:

1593KS100 .875" (22.2mm) for K, L & X

1593MS100 .625" (15.9mm) for S & T

1593QS100 .75" (19.1mm) for J, N, P, Q, D & Y



P.C. Board Screws

Self-tapping type, used for bosses in the 1591 lid for P.C. board installation. #4 x 1/4" (6.4 mm)

1593ATS50 - Package of 50

1593ATS100 - Package of 100

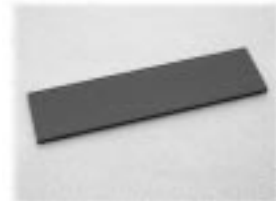


Belt or Pocket Clip

Molded from tough nylon, includes 2 nylon screws and mounting template.

Black - **1599CLIP**

Grey - **1599CLIPGY**



Optional Infrared Panel

Sold in packages of 10

1593DIR10 for 1593D

1593NIR10 for 1593N

1593PIR10 for 1593K, L, P, Q, Y & X

1593SIR10 for 1593S & T

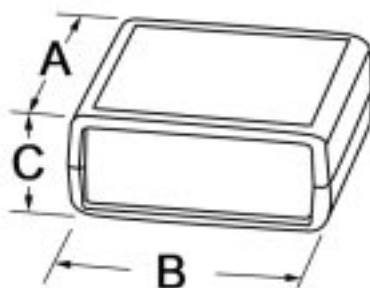
Hand Held Instrument (1593 Series)

Plastic

Recessed top for membrane display or pad...

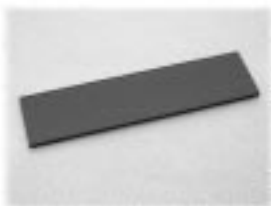
Four P.C. card standoffs molded in bottom...

Removable front & rear panels for easy modification (or replace with optional IR panel) - sized to accept most popular connectors...



Part Number		Units	Dimensions			Battery Compartment	Front Open (w/panel)	Rear Open (w/panel)
Black	Grey		A	B	C			
1593KBK	1593KGY	inch mm	2.6 66	2.6 66	1.1 28	N	Y	Y
1593LBK	1593LGY	inch mm	3.6 92	2.6 66	1.1 28	N	Y	Y
1593NBK	1593NGY	inch mm	4.3 110	2.9 75	1.0 25	N	Y	Y
1593XBK	1593XGY	inch mm	5.5 140	2.6 66	1.1 28	N	Y	Y

NOTE: 1593N is designed to house the smart card readers.



Optional Infrared Panel

Sold in packages of 10
1593NIR10 for 1593N
1593PIR10 for 1593K, L & X



Replacement Screws

Package of 100 self-tapping #4 oval head:
1593KS100 .875" (22.2mm) for K, L & X
1593QS100 .75" (19.1mm) for N



P.C. Board Screws

Self-tapping type, used for bosses in the 1591 lid for P.C. board installation. #4 x 1/4" (6.4 mm)
1593ATS50 - Package of 50
1593ATS100 - Package of 100



CANADA
 Guelph, Ontario (519) 822-2960
 St. Laurent, Quebec (514) 343-9010
USA
 Cheektowaga, NY (716) 651-0086

www.hammondmfg.com

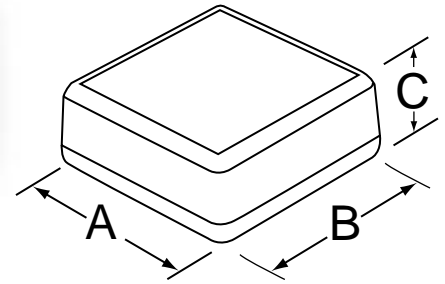
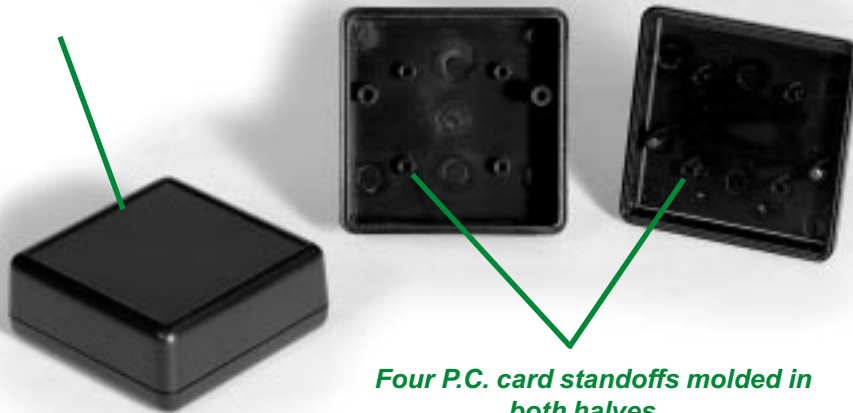
EUROPE
 Basingstoke, UK +44 1256 812812

AUSTRALASIA
 Queenstown, SA, Australia +61 8 8240 2244

Hand Held Instrument (1593 Series)

Plastic

Recessed top for membrane display or pad...



Four P.C. card standoffs molded in both halves...

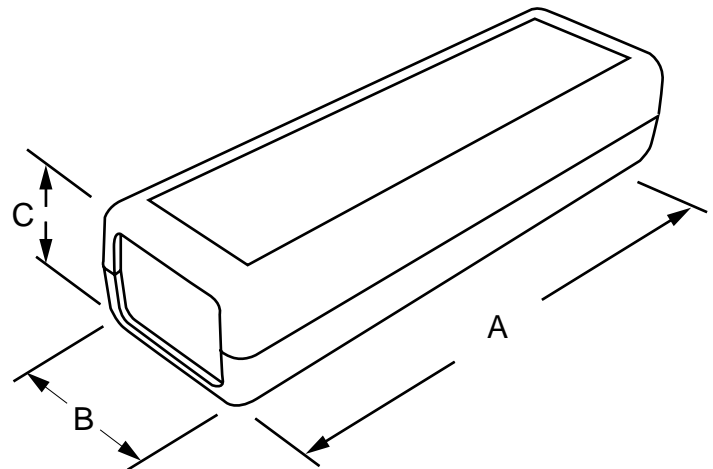
Part Number		Units	Dimensions			Battery Compartment	Front Open (w/panel)	Rear Open (w/panel)
Black	Grey		A	B	C			
1593JBK	1593JGY	inch mm	2.6 66	2.6 66	1.1 28	N	N	N

Replacement Screws

Package of 100 self-tapping #4 oval head:
1593QS100 .75" (19.1mm)

PCB Screws

To mount P.C. boards into standoffs (#4 x 1/4" pan head screws)
1593ATS100 - Package of 100
1593ATS50 - Package of 50



Part Number		Units	Dimensions			Battery Compartment	Front Open (w/panel)	Rear Open (w/panel)
Black	Grey		A	B	C			
1593DBK	1593DGY	inch mm	4.5 114	1.4 36	1.0 25	N	Y	Y

Optional Infrared Panel

1593DIR10 - Package of 10

Replacement Screws

Package of 100 self-tapping #4 oval head:
1593QS100 .75" (19.1mm)

PCB Screws

To mount P.C. boards into standoffs (#4 x 1/4" pan head screws)
1593ATS100 - Package of 100
1593ATS50 - Package of 50

Hand Held Instrument (1593 Series)

Plastic

Recessed top for membrane display or pad...

Four vertical P.C. card guides molded in...

Long life battery door with our "three snap" location door...

Removable front panel (or replace with optional IR panel) for easy modification - sized to accept most popular connectors...

P.C. card standoffs molded in both halves...



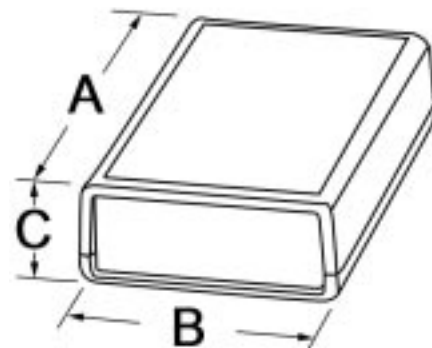
Part Number		Units	Dimensions			Battery Compartment	Front Open (w/panel)	Rear Open (w/panel)
Black	Grey		A	B	C			
1593SBK	1593SGY	inch mm	3.6 92	2.6 66	.83 21	Y*	Y	N
1593PBK	1593PGY	inch mm	3.6 92	2.6 66	1.1 28	Y	Y	N
1593TBK	1593TGY	inch mm	4.4 112	2.6 66	.83 21	Y*	Y	N
1593QBK	1593QGY	inch mm	4.4 112	2.6 66	1.1 28	Y	Y	N
1593YBK	1593YGY	inch mm	5.5 140	2.6 66	1.1 28	Y	Y	N

NOTES: * Due to their low profile design, the 1593S & 1593T models will not accept batteries larger than AAA.

Battery Holder Kits

- Designed for our battery door enclosures.
- Kits include all the parts required to install the batteries
- Kit includes the battery holder, wires, divider and foam anti-rattle pad.

Part Number	Battery holder kit for:
BH1AAWKIT	1 AA Cell
BH2AAWKIT	2 AA Cells
BH1AAAWKIT	1 AAA Cell
BH2AAAWKIT	2 AAA Cells
BH3AAAWKIT	3 AAA Cells
BH4AAAWKIT	4 AAA Cells
BS61KIT	1 - 9V Cell



Optional Infrared Panel

Package of 10

- 1593PIR10 - for 1593P, Q & Y
1593SIR10 - for 1593S & T

Replacement Screws

Package of 100 self-tapping #4 oval head:

- 1593MS100 .625" (15.9mm) for 1593S & T
1593QS100 .75" (19.1mm) for 1593P, Q & Y

PCB Screws

To mount P.C. boards into standoffs

- (#4 x 1/4" pan head screws)
1593ATS100 - Package of 100
1593ATS50 - Package of 50



CANADA
Guelph, Ontario (519) 822-2960
St. Laurent, Quebec (514) 343-9010
USA
Cheektowaga, NY (716) 651-0086



EUROPE
Basingstoke, UK +44 1256 812812

AUSTRALASIA
Queenstown, SA, Australia +61 8 8240 2244

Heavy Duty - ABS (1594 Series)

Plastic

Heavy duty - thick wall design...

Brass bushings for repetitive assembly and disassembly...



Molded in Flame Retardant ABS

Enclosure uses machine screws into brass bushings...

Lap joint construction...

OTHER KEY FEATURES

- Rugged electronic instrument enclosures, designed for mounting printed circuit boards. Heavy duty with an average wall thickness of .12" (3.1 mm)
- Molded in flame retardant ABS plastic (material carries a UL flammability rating of 94V-0).
- Designed to meet IP54, watertight version meets IP65.
- Countersunk lid is secured with four M3 x 0.5" x 0.71" (18 mm) Philips machine screws threaded into tapped integral brass bushings.
- Stocked in black and grey with matte textured finish.
- Watertight version has a silicon rubber seal.

ACCESSORIES



P.C. Board Card Guides

Allow for vertical or horizontal mounting of P.C. board. Each part number contains either 25 or 5 "sets". Each "set" includes four adaptors (2 - for the short side, 2 - for the long side). Molded from black ABS plastic.



Belt or Pocket Clip

Molded from tough nylon, includes 2 nylon screws and mounting template. Black - **1599CLIP** Grey - **1599CLIPGY**



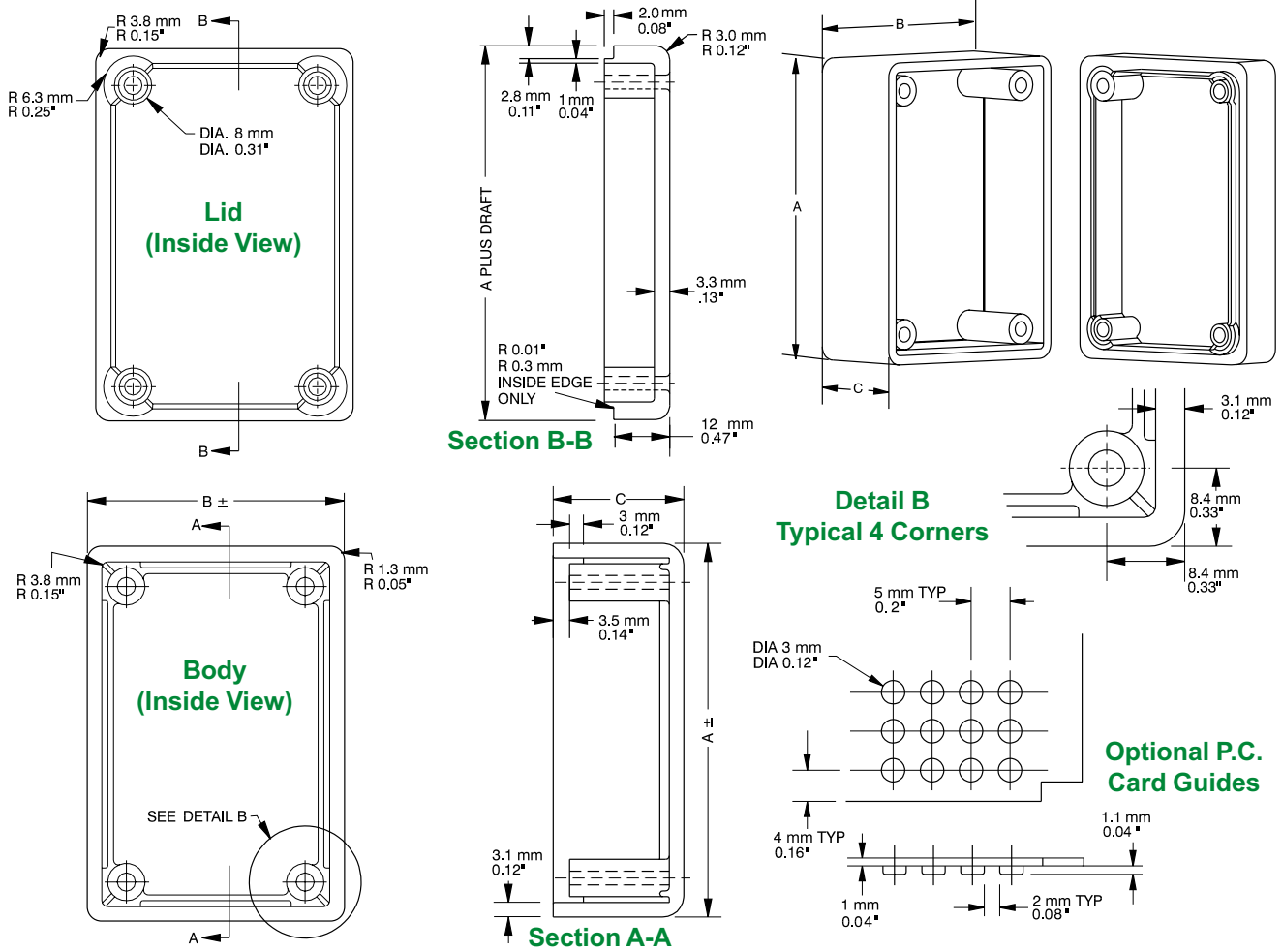
Replacement Screws

Machine screw, used in flame retardant ABS 1594 series (ie...with brass inserts). M3 - 0.5 x 20 mm
1594MS100 - Package of 100
1594WMS100 - Package of 100 (for watertight version).

Use with part number	Accessories					
	PC Card Guides		Belt or Pocket Clip		Replacement screws (100 per bag)	Replacement screws for watertight (100 per bag)
	(25 sets of 4)	(5 sets of 4)	Black	Grey		
1594A	1594AZ25	1594AD5	1599CLIP	1599CLIPGY	1594MS100	1594WMS100
1594B	1594BZ25	1594BD5	1599CLIP	1599CLIPGY	1594MS100	1594WMS100
1594C	1594CZ25	1594CD5	1599CLIP	1599CLIPGY	1594MS100	1594WMS100
1594D	1594DZ25	1594DD5	1599CLIP	1599CLIPGY	1594MS100	1594WMS100
1594E	1594EZ25	1594ED5	1599CLIP	1599CLIPGY	1594MS100	1594WMS100

Heavy Duty - ABS (1594 Series)

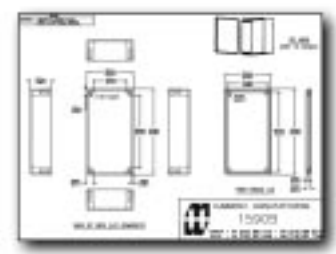
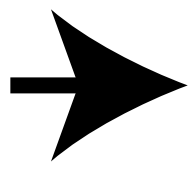
Plastic



Part Number				Units	Dimensions			
Black	Grey	Black Shielded	Black Watertight		A	B	C	Assembled Height
1594ABK	1594AGY	1594RABK	1594AWBK	inch	2.2	2.2	1.1	1.6
				mm	56	56	28	40
1594BBK	1594BGY	1594RBBK	1594BWBK	inch	3.2	2.2	1.1	1.6
				mm	81	56	28	40
1594CBK	1594CGY	1594RCBK	1594CWBK	inch	4.1	2.6	1.3	1.8
				mm	105	66	33	45
1594DBK	1594DGY	1594RDBK	1594DWBK	inch	5.2	2.6	1.7	2.2
				mm	131	66	43	55
1594EBK	1594EGY	1594REBK	1594EWBK	inch	6.6	4.2	2.1	2.6
				mm	167	107	53	65

NOTES: - Assembled height = dimension "C" + 0.47" (12.0 mm)
 - Average wall thickness: 0.12" (3.1 mm)

For detailed drawings, CAD files and color photos visit our website at: www.hammondmg.com



CANADA
 Guelph, Ontario (519) 822-2960
 St. Laurent, Quebec (514) 343-9010
USA
 Cheektowaga, NY (716) 651-0086

www.hammondmg.com

EUROPE
 Basingstoke, UK +44 1256 812812

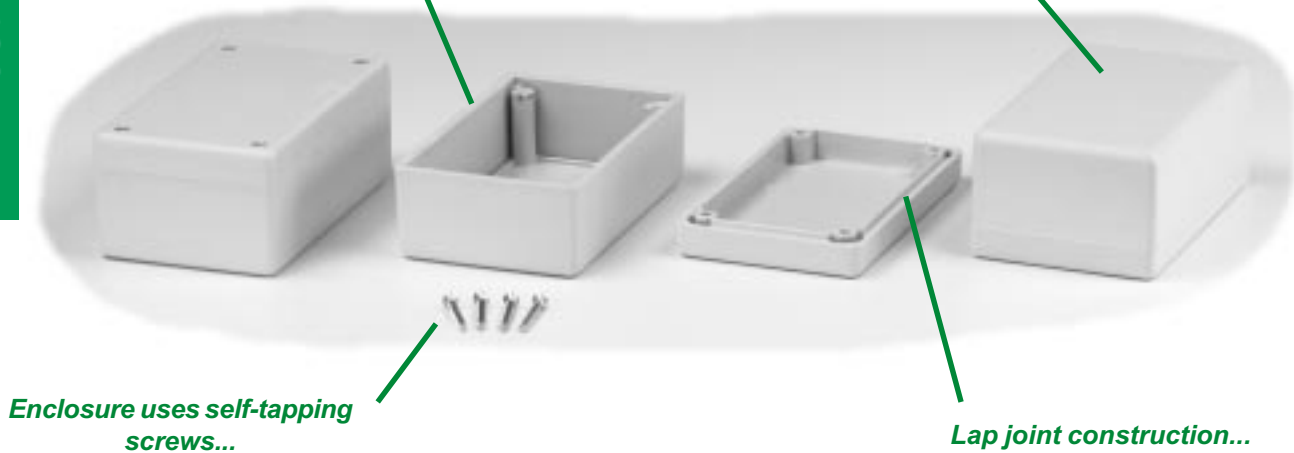
AUSTRALASIA
 Queenstown, SA, Australia +61 8 8240 2244

Heavy Duty - Polystyrene (1594 Series)

Plastic

Heavy duty - thick wall design...

No "gate" marks on bottom ...



Enclosure uses self-tapping screws...

Lap joint construction...

OTHER KEY FEATURES

- Rugged electronic instrument enclosures, designed for mounting printed circuit boards. Heavy duty with an average wall thickness of .12" (3.1 mm)
- Molded in economical high impact polystyrene.
- Designed to meet IP54.
- Countersunk lid is secured with four #4 x 1" (25.4 mm) self-tapping screws
- Stocked in grey with matte textured finish.

ACCESSORIES



P.C. Board Card Guides

Allow for vertical or horizontal mounting of P.C. board. Each part number contains either 25 or 5 "sets". Each "set" includes four adaptors (2 - for the short side, 2 - for the long side). Molded in black ABS.



Belt or Pocket Clip

Molded from tough nylon, includes 2 nylon screws and mounting template. Black - **1599CLIP** Grey - **1599CLIPGY**



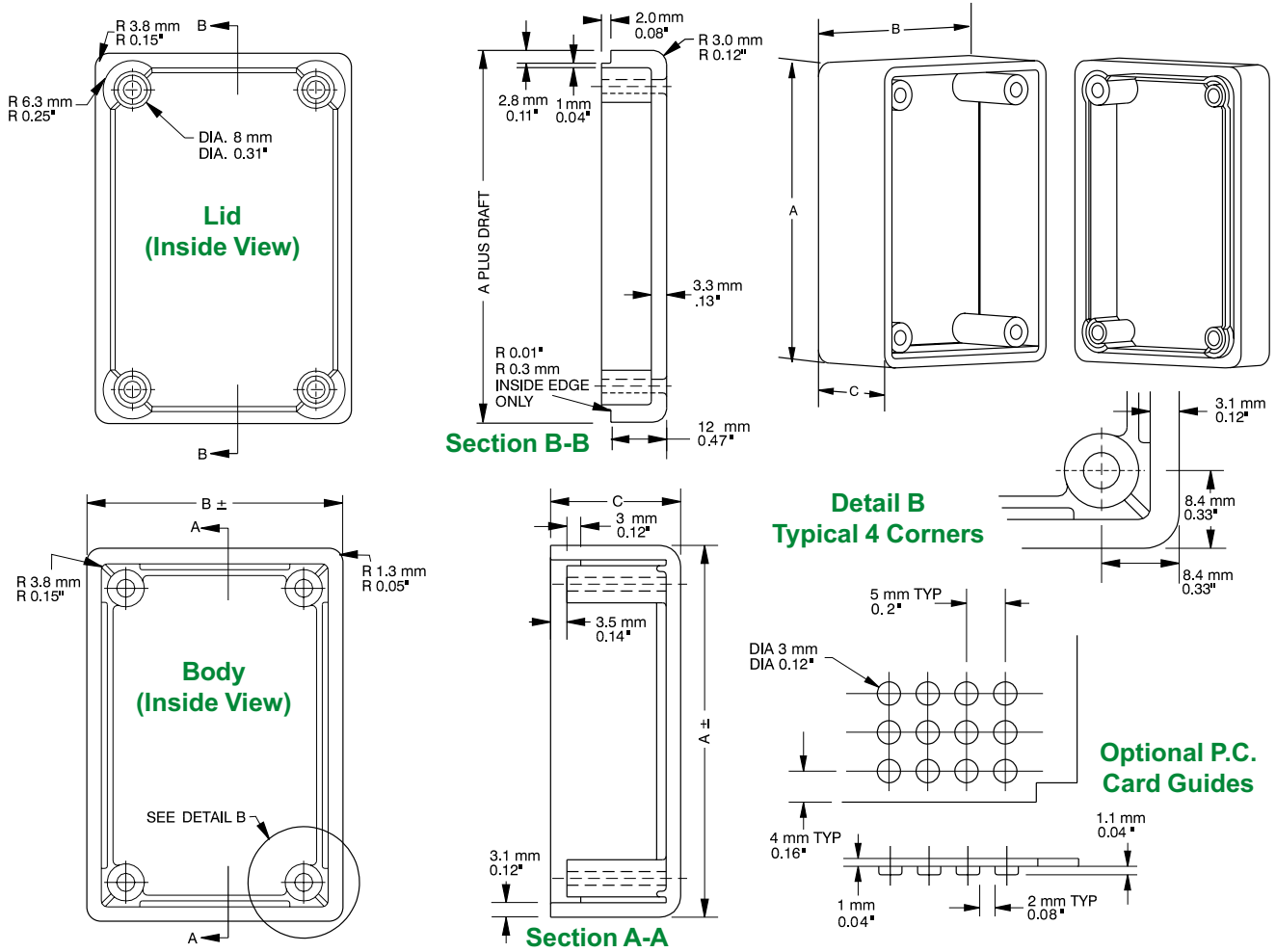
Replacement Screws

Self-tapping type used in polystyrene type 1594 series (ie...no brass inserts). #4 x 1" (25.4 mm) **1594TS100** - Package of 100

Use with part number	Accessories			
	PC Card Guides		Belt or Pocket Clip	Replacement screws (100 per bag)
	(25 sets of 4)	(5 sets of 4)		
1594ASGY	1594AZ25	1594AD5	1599CLIPGY	1594TS100
1594BSGY	1594BZ25	1594BD5	1599CLIPGY	1594TS100
1594CSGY	1594CZ25	1594CD5	1599CLIPGY	1594TS100
1594DSGY	1594DZ25	1594DD5	1599CLIPGY	1594TS100
1594ESGY	1594EZ25	1594ED5	1599CLIPGY	1594TS100

Heavy Duty - Polystyrene (1594 Series)

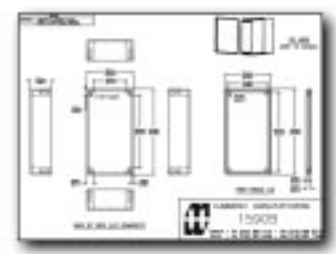
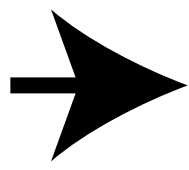
Plastic



Part Number	Units	Dimensions			Assembled Height
		A	B	C	
1594ASGY	inch	2.2	2.2	1.1	1.6
	mm	56	56	28	40
1594BSGY	inch	3.2	2.2	1.1	1.6
	mm	81	56	28	40
1594CSGY	inch	4.1	2.6	1.3	1.8
	mm	105	66	33	45
1594DSGY	inch	5.2	2.6	1.7	2.2
	mm	131	66	43	55
1594ESGY	inch	6.6	4.2	2.1	2.6
	mm	167	107	53	65

NOTES: - Assembled height = dimension "C" + 0.47" (12.0 mm)
 - Average wall thickness: 0.12" (3.1 mm)

For detailed drawings, CAD files and color photos visit our website at: www.hammondmg.com



CANADA
 Guelph, Ontario (519) 822-2960
 St. Laurent, Quebec (514) 343-9010
USA
 Cheektowaga, NY (716) 651-0086

www.hammondmg.com

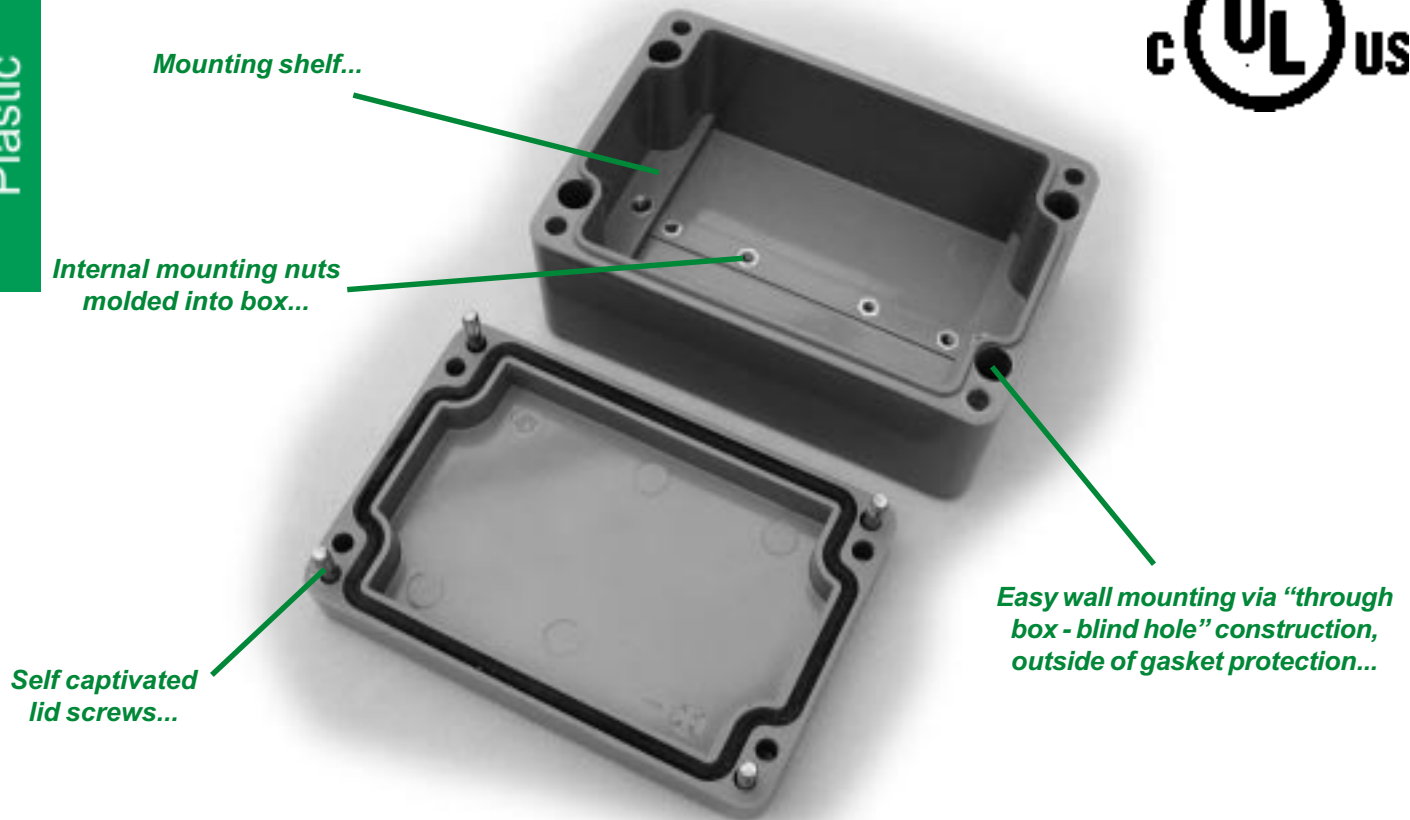
EUROPE
 Basingstoke, UK +44 1256 812812

AUSTRALASIA
 Queenstown, SA, Australia +61 8 8240 2244

Watertight, heavy duty (1590ZGRP Series)

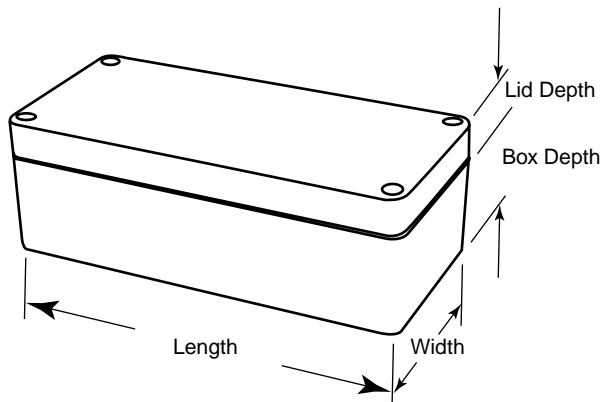


Plastic



OTHER KEY FEATURES

- Molded in grey, glass reinforced polyester.
- Heavy duty, thick wall design.
- Includes gasketed lid with two piece "tongue and groove" construction.
- Gasket material is Mohogumi rubber (EDPM.) Heat resistance 100-120 degree C, cold -40 degree C.
- Designed to meet IP65.
- North American Mark of Safety - cUL & UL listed. Certified to Nema 4X standards (UL508) - File #E65324
- See our sealed diecast aluminum enclosure section for similar sizes, cast in aluminum.



Part Number	Units	Dimensions			
		Length	Width	Box Depth	Lid Depth
1590ZGRP081	inch mm	3.17 80	2.94 75	1.58 40	0.59 15
1590ZGRP082	inch mm	4.32 110	2.94 75	1.58 40	0.59 15
1590ZGRP121	inch mm	4.72 120	4.78 122	2.56 65	0.98 25
1590ZGRP083	inch mm	6.30 160	2.94 75	1.58 40	0.59 15
1590ZGRP161	inch mm	6.30 160	6.30 160	2.76 70	0.80 20
1590ZGRP123	inch mm	8.66 220	4.72 120	2.56 65	0.98 25
1590ZGRP162	inch mm	10.24 260	6.30 160	2.76 70	0.77 20



Takachi Wallmount & Handheld (1597 Series)

Part Number	Color	Units	Dimensions		
			Width	Length	Depth (includes lid)
1597CGY	Grey	inch	4.33	5.5	1.38
		mm	110	140	35
1597CBK	Black	inch	4.33	5.5	1.38
		mm	110	140	35
1597DGY	Grey	inch	4.92	7.09	1.38
		mm	125	180	35



Plastic

KEY FEATURES

- Molded in ABS plastic with unique rounded sides - two piece molded construction. Top & bottom "snap" together
- Includes molded in keyhole knockout areas (2) for mounting either vertically or horizontally.
- Bottom half includes 6 molded in, P.C. board standoffs

Part Number	Color	Units	Dimensions		
			Width	Length	Depth (includes lid)
1597X	Grey	inch	3.5	5.5	1.8
		mm	90	140	45
1597Y	Grey	inch	5.3	7.9	2.0
		mm	135	200	50



KEY FEATURES

- Molded in ABS plastic
- Includes machine screws & brass inserts providing extra strength for repeated assembly and disassembly of lid.
- Bottom & top half include molded in, P.C. board standoffs

Part Number	Color	Units	Dimensions		
			Width	Length	Depth (includes lid)
1597V	Grey	inch	1.6	5.1	1.0
		mm	40	130	25



KEY FEATURES

- Molded in ABS plastic
- Two piece molded construction. Top & bottom "snap" together



CANADA
Guelph, Ontario (519) 822-2960
St. Laurent, Quebec (514) 343-9010
USA
Cheektowaga, NY (716) 651-0086

www.hammondmfg.com

EUROPE
Basingstoke, UK +44 1256 812812

AUSTRALASIA
Queenstown, SA, Australia +61 8 8240 2244

Hand Held (1599 Series)

Plastic

Recessed top panel for membrane display or pad...

P.C. card standoffs and vertical card guides molded in...

Flame retardant ABS version includes wear resistant brass bushings...

Flame retardant ABS version includes four machine screws (polystyrene are self-tapping)...

Long life battery door option with our "three snap" location door...

OTHER KEY FEATURES

- Attractively styled and ergonomically designed for use as a "hand-held" instrument enclosure.
- Lap joint construction provides protection against access of dust and splashing water.
- Extra deep top and ultra shallow base are specifically designed to enhance the aesthetics of the enclosure and provide the user with flexibility and assembly efficiency.
- Designed to meet IP54.
- Flame retardant ABS plastic carries a UL flammability rating of 94 V-O.
- Accessory screws for mounting P.C. boards into standoffs P/N **1593ATS50** (qty. 50), P/N **1593ATS100** (qty. 100).
- Two keyhole knockouts are molded into the inside of the base to facilitate wall mount installation.

Fire Retardant ABS Plastic

Part Number	See Size Chart	Color	Battery Door	Belt Clip	Shielded
1599BBK	1599B	Black	-	-	-
1599BGY	1599B	Grey	-	-	-
1599RBBK	1599B	Black	-	-	Yes
1599BBKBAT	1599B	Black	Yes	-	-
1599BGYBAT	1599B	Grey	Yes	-	-
1599BBKCP	1599B	Black	-	Yes	-
1599BGYCP	1599B	Grey	-	Yes	-
1599BBKBATCP	1599B	Black	Yes	Yes	-
1599BGYBATCP	1599B	Grey	Yes	Yes	-
1599EBK	1599E	Black	-	-	-
1599EGY	1599E	Grey	-	-	-
1599REBK	1599E	Black	-	-	Yes
1599EBKBAT	1599E	Black	Yes	-	-
1599EGYBAT	1599E	Grey	Yes	-	-
1599HBK	1599H	Black	-	-	-
1599HGY	1599H	Grey	-	-	-
1599RHBK	1599H	Black	-	-	Yes
1599HBKBAT	1599H	Black	Yes	-	-
1599HGYBAT	1599H	Grey	Yes	-	-
1599KBK	1599K	Black	-	-	-
1599KGY	1599K	Grey	-	-	-
1599KBKBAT	1599K	Black	Yes	-	-
1599KGYBAT	1599K	Grey	Yes	-	-

High Impact Polystyrene

Part Number	See Size Chart	Color	Battery Door
1599BSGY	1599B	Grey	-
1599BSGYBAT	1599B	Grey	Yes
1599ESGY	1599E	Grey	-
1599ESGYBAT	1599E	Grey	Yes
1599HSGY	1599H	Grey	-
1599HSGYBAT	1599H	Grey	Yes
1599KSGY	1599K	Grey	-
1599KSGYBAT	1599K	Grey	Yes

Battery Holder Kits

- Kits include all the parts required to install the batteries
- Kit includes the battery holder, wires, divider and foam anti-rattle pad.

Part Number	Battery holder kit for:
BH1AAWKIT	1 AA Cell
BH2AAWKIT	2 AA Cells
BH1AAAWKIT	1 AAA Cell
BH2AAAWKIT	2 AAA Cells
BH3AAAWKIT	3 AAA Cells
BH4AAAWKIT	4 AAA Cells
BS61KIT	1 - 9V Cell

36



CANADA

Guelph, Ontario (519) 822-2960
St. Laurent, Quebec (514) 343-9010

USA

Cheektowaga, NY (716) 651-0086



EUROPE

Basingstoke, UK +44 1256 812812

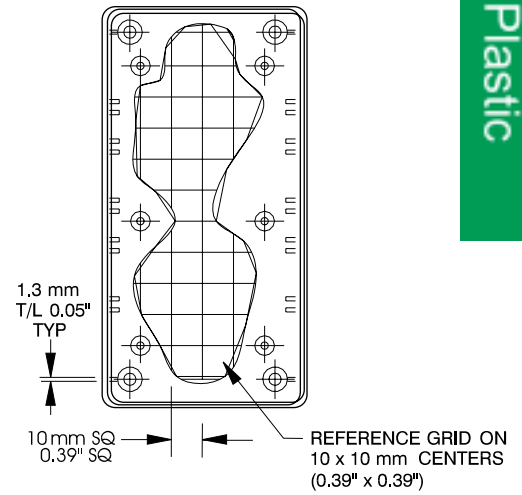
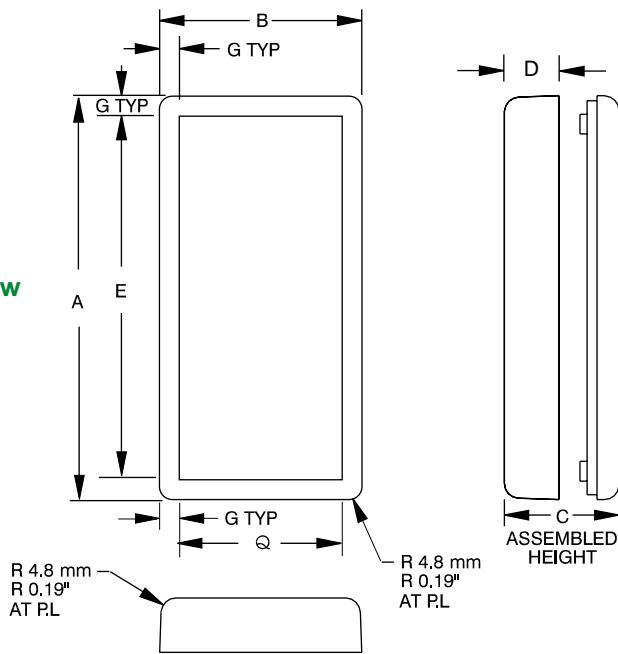
AUSTRALASIA

Queenstown, SA, Australia +61 8 8240 2244

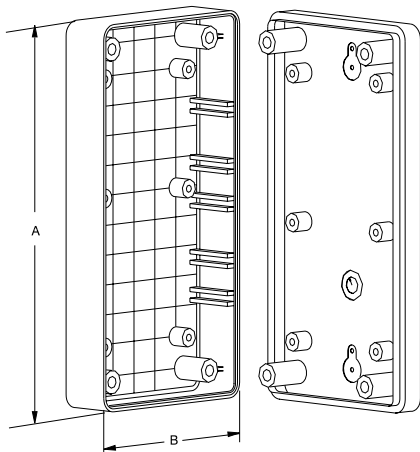
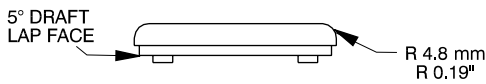
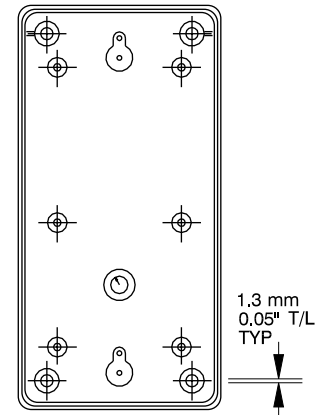
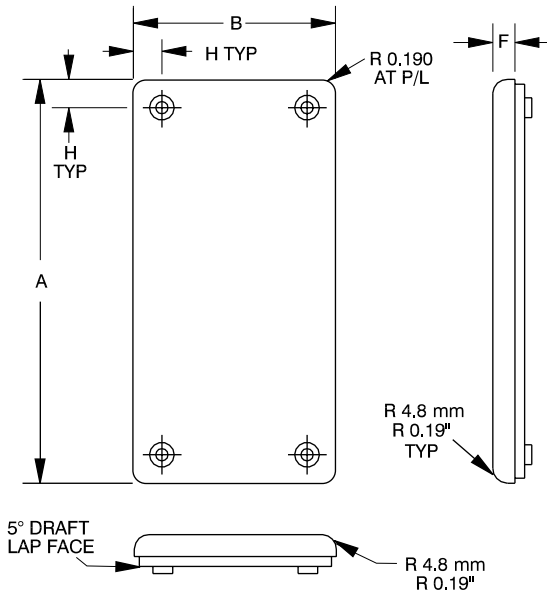
Hand Held (1599 Series)

Plastic

Body View



Lid View



SIZE CHART

Part Number	Units	Dimensions								
		A	B	C	D	F	G	H	Q	E
1599B	inch	5.12	2.56	0.97	0.69	.28	.24	.36	2.06	4.62
	mm	130	65	25	17.5	7	6	9	52.2	117.2
1599E	inch	6.70	3.35	1.33	1.02	.31	.24	.40	2.81	6.16
	mm	170	85	34	26	8	6	10	71	157
1599H	inch	8.66	4.33	1.73	1.38	.35	.24	.44	3.73	8.06
	mm	220	110	44	35	9	6	11	94.8	204.8
1599K	inch	8.66	5.51	1.58	1.19	.35	.24	.44	4.98	8.11
	mm	220	140	40	30	9	6	11	126	206



CANADA
Guelph, Ontario (519) 822-2960
St. Laurent, Quebec (514) 343-9010
USA
Cheektowaga, NY (716) 651-0086

www.hammondmfg.com

EUROPE
Basingstoke, UK +44 1256 812812

AUSTRALASIA
Queenstown, SA, Australia +61 8 8240 2244

Short Slope Console (1599 Series)

Plastic



FEATURES (Fire Retardant - ABS Version)

- Attractively styled and ergonomically designed, molded in flame retardant ABS grey or black plastic (material carries a UL flammability rating of 94V-0).
- Rear of units contain one or two (depending on width), removable panels for easy modifications (see our website).
- Two piece lap joint construction provides protection against access of dust and splashing water.
- Designed to meet IP54.
- P.C. board card bosses are molded in for easy installation (see our website).
- Accessory screws for mounting P.C. boards into standoffs P/N **1593ATS50** (qty. 50), P/N **1593ATS100** (qty. 100).
- Base is secured with machine screws into brass bushings for repetitive assembly and disassembly.

Part Number		Rear Panel	P.C. Card Bosses		Units	Dimensions			
Black	Grey		Base	Top		Width	Length	Depth (Rear)	Depth (Front)
1599ETSBK	1599ETSGY	1	6	-	inch mm	3.37 85.5	6.69 170	1.34 34.1	0.73 18.6
1599HTSBK	1599HTSGY	2	6	-	inch mm	4.33 110	8.66 220	1.57 40	0.75 19
1599KTSBK	1599KTSGY	2	8	8	inch mm	5.51 140	8.66 220	1.83 46.5	0.82 20.7

FEATURES (Polystyrene Version)

- Same features as above except molded in economical polystyrene.
- Polystyrene version uses self-tapping screws. Perfect where economy is important and where repetitive assembly and disassembly of lid is not vital.

Part Number	Color	Rear Panel	P.C. Card Bosses		Units	Dimensions			
			Base	Top		Width	Length	Depth (Rear)	Depth (Front)
1599ESTSGY	Grey	1	6	-	inch mm	3.37 85.5	6.69 170	1.34 34.1	0.73 18.6
1599HSTSGY	Grey	2	6	-	inch mm	4.33 110	8.66 220	1.57 40	0.75 19
1599KSTSGY	Grey	2	8	8	inch mm	5.51 140	8.66 220	1.83 46.5	0.82 20.7

Long Slope Console (1599 Series)

Plastic



FEATURES (Fire Retardant - ABS Version)

- Attractively styled and ergonomically designed, molded in flame retardant ABS grey or black plastic (material carries a UL flammability rating of 94V-0).
- Rear of unit contains one removable panel for easy modifications (see our website).
- Two piece lap joint construction provides protection against access of dust and splashing water.
- Designed to meet IP54.
- P.C. board card bosses are molded in for easy installation (see our website).
- Accessory screws for mounting P.C. boards into standoffs P/N **1593ATS50** (qty. 50), P/N **1593ATS100** (qty. 100).
- Base is secured with machine screws into brass bushings for repetitive assembly and disassembly.

Part Number		Battery Door	Rear Panel	P.C. Card Bosses		Units	Dimensions			
Black	Grey			Base	Top		Width	Length	Depth (Rear)	Depth (Front)
1599KTLBK	1599KTLGY	-	1	8	8	inch mm	5.50 140	8.66 220	1.60 40.5	0.71 18
1599KTLBKBAT	1599KTLGYBAT	Yes	1	8	8	inch mm	5.50 140	8.66 220	1.60 40.5	0.71 18

FEATURES (Polystyrene Version)

- Same features as above except molded in economical polystyrene.
- Polystyrene version uses self-tapping screws. Perfect where economy is important and where repetitive assembly and disassembly of lid is not vital.

Part Number	Color	Battery Door	Rear Panel	P.C. Card Bosses		Units	Dimensions			
				Base	Top		Width	Length	Depth (Rear)	Depth (Front)
1599KSTLGY	Grey	-	1	8	8	inch mm	5.50 140	8.66 220	1.60 40.5	0.71 18
1599KSTLGYBAT	Grey	Yes	1	8	8	inch mm	5.50 140	8.66 220	1.60 40.5	0.71 18



CANADA
Guelph, Ontario (519) 822-2960
St. Laurent, Quebec (514) 343-9010
USA
Cheektowaga, NY (716) 651-0086



EUROPE
Basingstoke, UK +44 1256 812812

AUSTRALASIA
Queenstown, SA, Australia +61 8 8240 2244

Accessories (1599 Series)

ACCESSORIES

Plastic



Replacement Screws for ABS

Machine screw, used in flame retardant ABS 1599B series (ie...with brass inserts).

M3 - 0.5 x 20 mm

1594MS100 - Package of 100

Machine screw, used in flame retardant ABS 1599E, H & K series (ie...with brass inserts).

M3 - 0.5 x 10 mm

1591MS100 - Package of 100



Replacement Screws for Polystyrene

Self-tapping type, used in polystyrene 1599BS series (ie...no brass inserts).

4 x 3/4"

1599BTS100 - Package of 100

Self-tapping type, used in polystyrene 1599ES, HS & KS series (ie...no brass inserts). # 4 x 5/8"

1598TS100 - Package of 100

Battery Holder Kits

- Designed for our battery door enclosures.
- Kits include all the parts required to install the battery or batteries.
- Kit includes the battery holder, wires, divider and foam anti-rattle pad.

Part Number	Battery holder kit for:	Fits Battery Door Enclosure Size:
BH1AAWKIT	1 AA Cell	B, E, H & K
BH2AAWKIT	2 AA Cells	B, E, H & K
BH1AAAWKIT	1 AAA Cell	B, E, H & K
BH2AAAWKIT	2 AAA Cells	B, E, H & K
BH3AAAWKIT	3 AAA Cells	E, H & K
BH4AAAWKIT	4 AAA Cells	E, H & K
BS61KIT	1 - 9V Cell	B, E, H & K

Nylon screws for electrical insulation and strength...



High strength nylon clip for belt or pocket...

Belt or Pocket Clip (for hand held)

Molded from tough nylon, includes 2 nylon screws and mounting template.

Black - **1599CLIP**

Grey - **1599CLIPGY**

P.C. Board Mounting Screws

Self-tapping type, used for bosses in the 1599 series for P.C. board installation. # 4 x 1/4" (6.4 mm)

1593ATS50 - Package of 50

1593ATS100 - Package of 100



Battery Dividers (for hand held)

Grey ABS plastic panel barriers which insert vertically into the P.C. card guides of the 1599B series.

1599BD5 - Package of 5

1599BD100 - Package of 100

Grey ABS plastic panel barriers which insert vertically into the P.C. card guides of the 1599E series.

1599ED5 - Package of 5

1599ED100 - Package of 100

Grey ABS plastic panel barriers which insert vertically into the P.C. card guides of the 1599H series.

1599HD5 - Package of 5

1599HD100 - Package of 100



Instrument Consoles - ABS (1595 Series)



Molded in Flame Retardant ABS

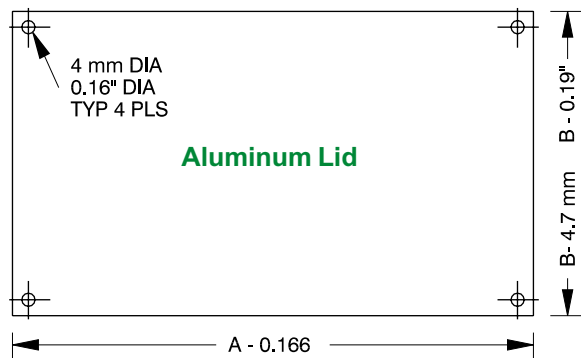
Plastic

KEY FEATURES

- Desk top electronic instrument enclosure, ideally suited for mounting printed circuit boards.
- Molded in fire retardant ABS plastic (material carries a UL flammability rating of 94V-0).
- Two piece construction. Integral card guides accept 1.5 mm (0.062") P.C. cards. 0.20" diameter stand off bosses in the base for supporting various subassemblies.
- Integral brass bushings with four M3 x 0.5" x 8 mm (0.31") Philips pan head machine screws hold recessed panel into sloping front of case.
- 1.01 mm (0.04") aluminum panel with paper on one side.
- Four self-adhesive feet included. Stocked in black and grey.

Part Number		Units	Dimensions					
Black	Grey		A	B	C	D	E	R
1595CBK	1595CGY	inch	6.35	3.78	2.28	2.52	4.66	0.63
		mm	161	96	58	64	118	15.9
1595EBK	1595EGY	inch	8.47	5.12	2.95	3.23	6.78	1.00
		mm	215	130	75	82	72	25.4

NOTES: - Average wall thickness: 0.1" (2.5 mm)



Aluminum Lid

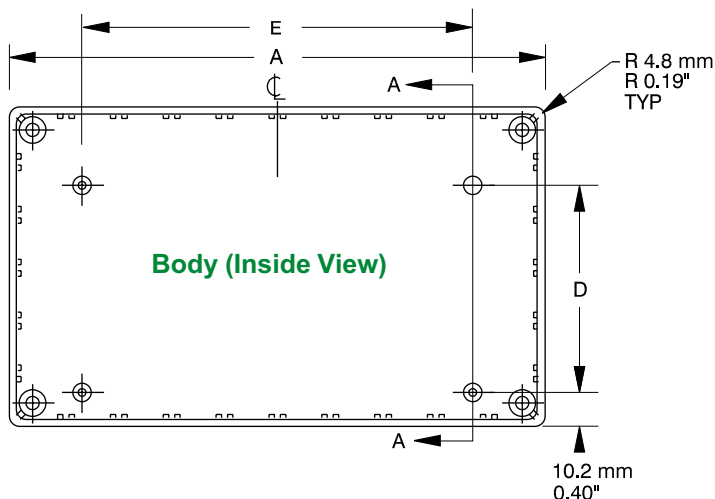
ACCESSORIES

Replacement Lid Screws

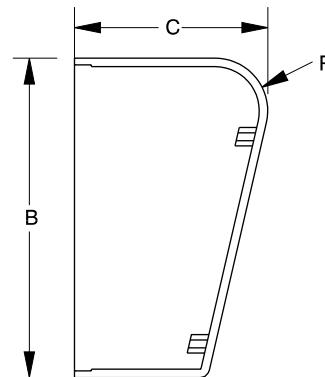
Machine screws for aluminum lid of 1595 series
M3 - 0.5" x 8 mm
1595MS100 - Package of 100

Accessory Internal Boss Screws

Self-tapping type screws for 1595 series - #6 x 0.25" (6.4 mm)
1598ATS100 - Package of 100



Body (Inside View)



Section A-A



CANADA
Guelph, Ontario (519) 822-2960
St. Laurent, Quebec (514) 343-9010
USA
Cheektowaga, NY (716) 651-0086



EUROPE
Basingstoke, UK +44 1256 812812

AUSTRALASIA
Queenstown, SA, Australia +61 8 8240 2244

Instrument Case - ABS (1598 Series)

Plastic

Molded in P.C. card standoffs and vertical card guides...

Positive fit, tongue & groove construction requires only two mounting screws...

Brass bushings for repetitive assembly and disassembly...



Complete with four rubber feet and hardware...

For extra strength, front & back panels are made of aluminum...

OTHER KEY FEATURES

- Desk top electronic instrument enclosure, ideally suited for mounting printed circuit boards.
- Molded in flame retardant ABS plastic (material carries a UL flammability rating of 94V-0).
- Designed to meet IP54.
- Two sets of vertical 1.5 mm (0.062") P.C. board guides are molded into case halves front and rear.
- Front and rear panels are 1.6 mm (0.064") brushed aluminum with protective paper on one side.
- Cases halves are secured with M3 x 0.5" x 10 mm (0.39") Philips machine screws threaded into tapped integral brass bushings.
- Integral horizontal P.C. card mounts on Eurocard centers.
- Stocked in matte textured black and grey.
- EMI/RFI shielded cases are stocked in black (see table).

ACCESSORIES



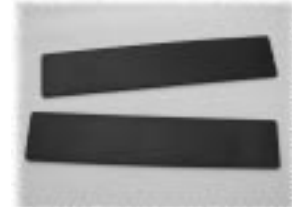
Replacement Screws

Machine screws, used in flame retardant ABS 1598 series (ie...with brass inserts). M3 - 0.5" x 10 mm
1591MS100 - Package of 100



Nylon Circuit Board Standoffs

Self adhesive pad allows placement anywhere in the enclosure.
1598ZPC25 - Package of 25
1598ZPC100 - Package of 100



Optional Plastic End Panels (Black)

Molded from black fire retardant ABS plastic. Part contains both front & back panel.

- 1598PLABK** - Use with 1598A
- 1598PLBBK** - Use with 1598B
- 1598PLBBBK** - Use with 1598BB
- 1598PLCBK** - Use with 1598C
- 1598PLDBK** - Use with 1598D
- 1598PLEBK** - Use with 1598E
- 1598PLFBK** - Use with 1598F
- 1598PLGBK** - Use with 1598G
- 1598PLHBK** - Use with 1598H
- 1598PLJBK** - Use with 1598J



P.C. Board Screws

Self-tapping type, used in bosses in the 1598 series for P.C. board installation. #6 x 1/4" (6.4 mm)
1598ATS100 - Package of 100



Tilt Handles

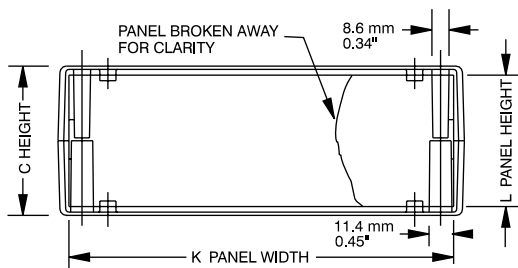
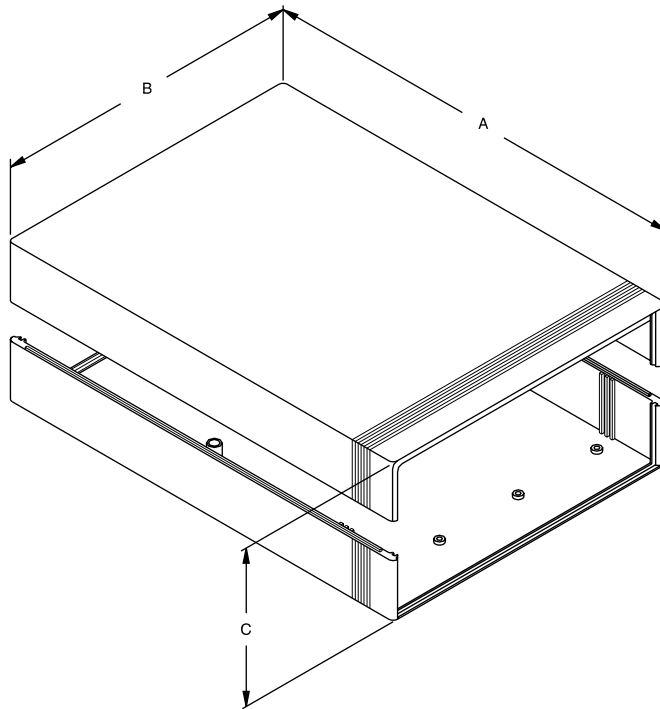
Used as a tilt handle and/or bail - 8 detent positions.
1598TH1 - Use with 1598C,E,F & G
1598TH2 - Use with 1598D, H & J

Instrument Case - ABS (1598 Series)

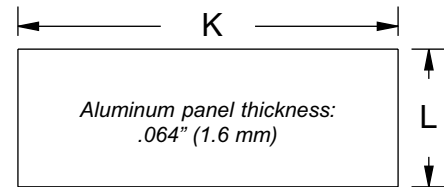


Molded in Flame Retardant ABS

Plastic



End View



Front or Rear Panel

Part Number			Units	Dimensions			Panel Size	
Black	Grey	Black Shielded		A	B	C	K	L
1598BBK	1598BGY	1598RBBK	inch mm	5.28 134	5.31 135	1.96 50	5.04 128	1.77 45
1598ABK	1598AGY	1598RABK	inch mm	6.18 157	3.70 94	1.42 36	3.39 86	1.06 27
1598EBK	1598EGY	1598REBK	inch mm	6.30 160	6.30 160	3.38 86	5.98 152	3.11 79
1598BBBK	1598BBGY	1598RBBBK	inch mm	7.05 179	6.06 154	1.42 36	5.75 146	1.14 29
1598CBK	1598CGY	1598RCBK	inch mm	7.09 180	6.10 155	2.04 52	5.71 145	1.81 46
1598DBK	1598DGY	1598RDBK	inch mm	7.09 180	8.11 206	2.52 64	7.80 198	2.28 58
1598FBK	1598FGY	1598RFBK	inch mm	9.84 250	6.30 160	1.58 40	5.98 152	1.38 35
1598GBK	1598GGY	1598RGBK	inch mm	9.84 250	6.30 160	3.00 76	5.98 152	2.72 69
1598HBK	1598HGY	1598RHBK	inch mm	11.02 280	7.87 200	1.58 40	7.56 192	1.38 35
1598JBK	1598JGY	1598RJBK	inch mm	11.02 280	7.87 200	3.00 76	7.56 192	2.72 69

NOTES: - Average top & bottom wall thickness: 0.125" (3.2 mm)
 - Average side wall thickness: 0.18" (4.5 mm)



CANADA
 Guelph, Ontario (519) 822-2960
 St. Laurent, Quebec (514) 343-9010
USA
 Cheektowaga, NY (716) 651-0086



EUROPE
 Basingstoke, UK +44 1256 812812

AUSTRALASIA
 Queenstown, SA, Australia +61 8 8240 2244

Instrument Case - Polystyrene (1598 Series)

Plastic

Molded in P.C. card standoffs and vertical card guides...

Positive fit, tongue & groove construction requires only two mounting screws...

Complete with four rubber feet and hardware...

Two models available, one with easy to modify ABS black plastic or the other with strong aluminum end panels...

OTHER KEY FEATURES

- Modern low profile designed instrument enclosure.
- Two sets of vertical 1.5 mm (0.062") P.C. board guides are molded into case halves, front and rear.
- Molded in economical matte textured grey polystyrene.
- Easy access to interior via shell type construction.
- Designed to meet IP54.
- Integral horizontal P.C. card mounts on Eurocard centers.

ACCESSORIES



Replacement Screws

Self-tapping type, used in polystyrene 1598 series (ie...no brass inserts). # 4 x 5/8" (15.9 mm)
1598TS100 - Package of 100



Nylon Circuit Board Standoffs

Self adhesive pad allows placement anywhere in the enclosure.
1598ZPC25 - Package of 25
1598ZPC100 - Package of 100



Replacement Plastic End Panels (Black)

Molded from black fire retardant ABS plastic. Part contains both front & back panel.

- 1598PLABK** - Use with 1598A
- 1598PLBBK** - Use with 1598B
- 1598PLBBBK** - Use with 1598BB
- 1598PLCBK** - Use with 1598C
- 1598PLDBK** - Use with 1598D
- 1598PLEBK** - Use with 1598E
- 1598PLFBK** - Use with 1598F
- 1598PLGBK** - Use with 1598G
- 1598PLHBK** - Use with 1598H
- 1598PLJBK** - Use with 1598J



P.C. Board Screws

Self-tapping type, used for bosses in the 1598 series for P.C. board installation. # 6 x 1/4" (6.4 mm)
1598ATS100 - Package of 100

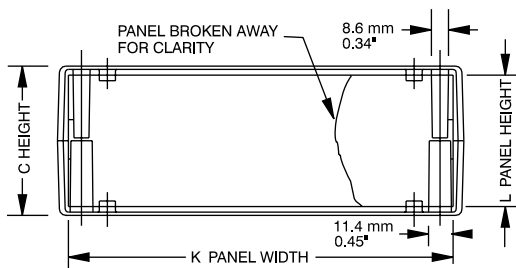
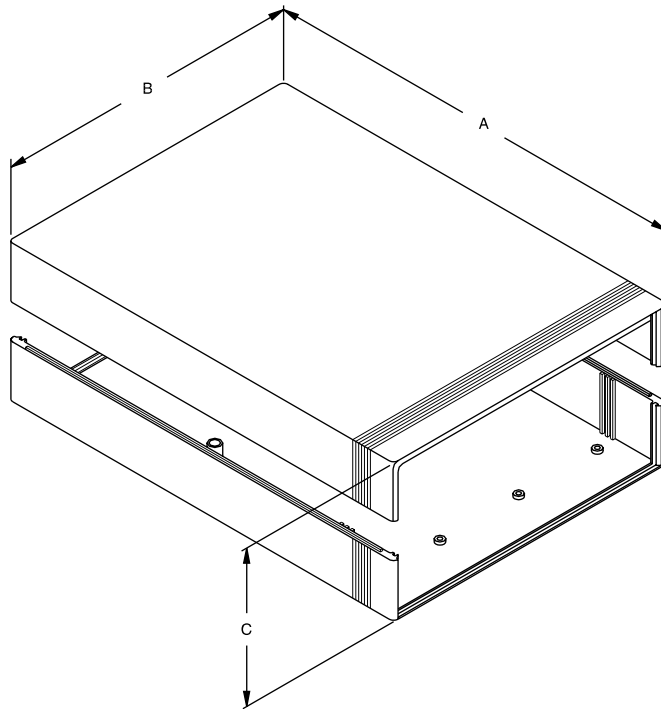


Tilt Handles

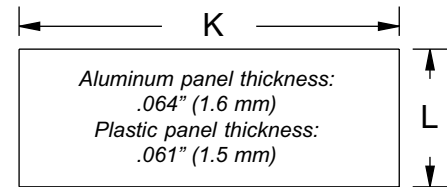
Used as a tilt handle and/or bail - 8 detent positions.
1598TH1 - Use with 1598C,E,F &G
1598TH2 - Use with 1598D, H & J

Instrument Case - Polystyrene (1598 Series)

Plastic



End View



Front or Rear Panel

Part Number		Units	Dimensions			Panel Size	
Grey enclosure with metal panels	Grey enclosure with black plastic panels		A	B	C	K	L
1598BSGY	1598BSGYPBK	inch mm	5.28 134	5.31 135	1.96 50	5.04 128	1.77 45
1598ASGY	1598ASGYPBK	inch mm	6.18 157	3.70 94	1.42 36	3.39 86	1.06 27
1598ESGY	1598ESGYPBK	inch mm	6.30 160	6.30 160	3.38 86	5.98 152	3.11 79
1598BBSGY	1598BBSGYPBK	inch mm	7.05 179	6.06 154	1.42 36	5.75 146	1.14 29
1598CSGY	1598CSGYPBK	inch mm	7.09 180	6.10 155	2.04 52	5.71 145	1.81 46
1598DSGY	1598DSGYPBK	inch mm	7.09 180	8.11 206	2.52 64	7.80 198	2.28 58
1598FSGY	1598FSGYPBK	inch mm	9.84 250	6.30 160	1.58 40	5.98 152	1.38 35
1598GSYG	1598GSYGYPBK	inch mm	9.84 250	6.30 160	3.00 76	5.98 152	2.72 69
1598HSGY	1598HSGYPBK	inch mm	11.02 280	7.87 200	1.58 40	7.56 192	1.38 35
1598JSGY	1598JSGYPBK	inch mm	11.02 280	7.87 200	3.00 76	7.56 192	2.72 69

NOTES: - Average top & bottom wall thickness: 0.125" (3.2 mm)
- Average side wall thickness: 0.18" (4.5 mm)



CANADA
Guelph, Ontario (519) 822-2960
St. Laurent, Quebec (514) 343-9010
USA
Cheektowaga, NY (716) 651-0086

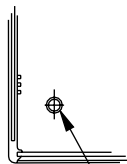
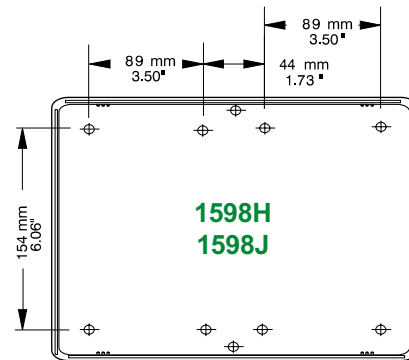
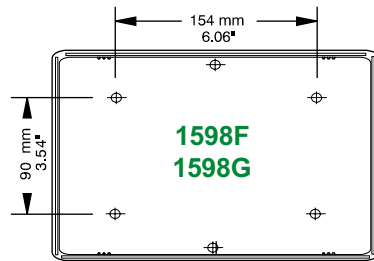
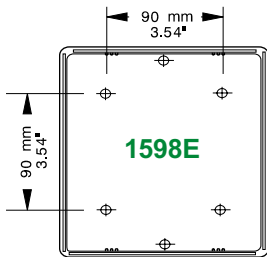
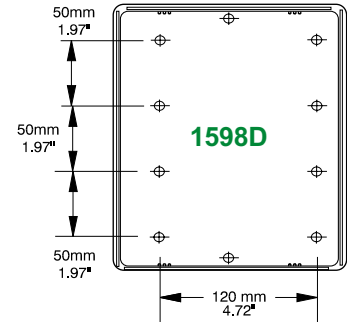
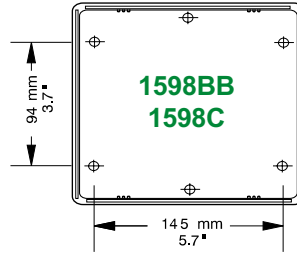
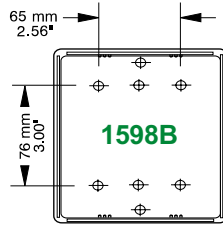
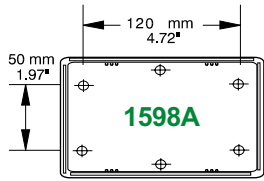


EUROPE
Basingstoke, UK +44 1256 812812

AUSTRALASIA
Queenstown, SA, Australia +61 8 8240 2244

1598 Series Drawings

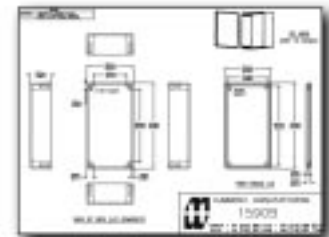
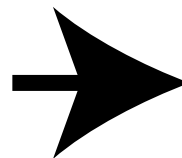
Plastic



POST 3 mm I/S .12" I/S
8 mm DIA O/S .32" DIA O/S

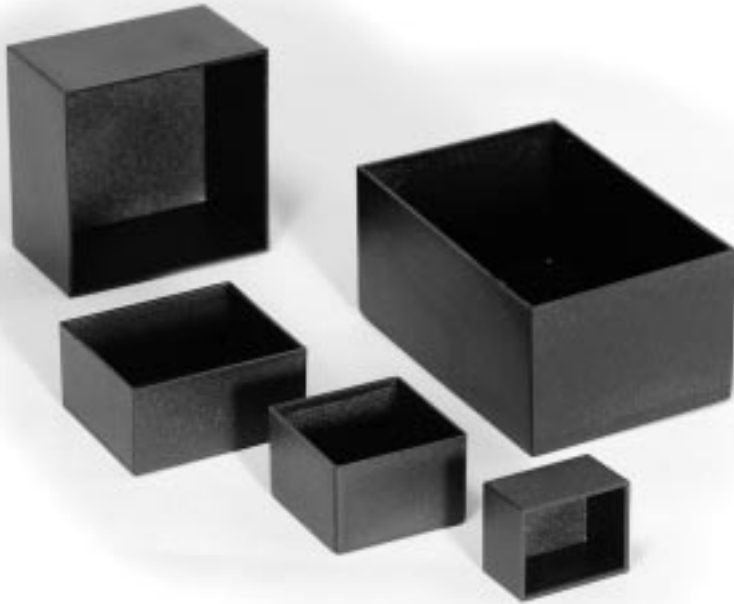
P.C. Board Standoff Detail

For detailed drawings, CAD files and color photos visit our website at: www.hammondmfg.com



Potting Boxes (1596 Series)

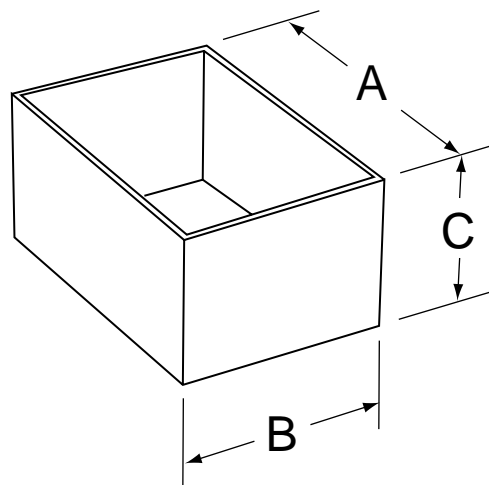
Plastic



Part Number	Units	Dimensions		
		A	B	C
1596B109	inch mm	.46 12	.46 12	.35 9
1596B110	inch mm	.85 22	.55 14	.46 12
1596B101	inch mm	.98 25	.79 20	.59 15
1596B112	inch mm	.98 25	.98 25	.98 25
1596B102	inch mm	1.18 30	.79 20	.59 15
1596B111	inch mm	1.18 30	1.18 30	.79 20
1596B103	inch mm	1.57 40	1.37 35	.79 20
1596B107	inch mm	1.57 40	1.57 40	.79 20
1596B113	inch mm	1.57 40	1.57 40	1.15 29
1596B104	inch mm	1.96 50	1.57 40	1.18 30
1596B108	inch mm	1.96 50	1.96 50	1.18 30
1596B105	inch mm	2.95 75	1.98 50	1.39 35
1596B114	inch mm	2.95 75	2.95 75	1.57 40
1596B115	inch mm	3.50 89	2.52 64	1.28 32.5
1596B106	inch mm	3.93 100	2.36 60	.99 25

KEY FEATURES

- One piece molded construction.
- Molded from black general purpose ABS plastic.
- Temperature rated -20° to +94° C.
- 1.0 mm (0.04") wall thickness.



CANADA
Guelph, Ontario (519) 822-2960
St. Laurent, Quebec (514) 343-9010
USA
Cheektowaga, NY (716) 651-0086

www.hammondmfg.com

EUROPE
Basingstoke, UK +44 1256 812812

AUSTRALASIA
Queenstown, SA, Australia +61 8 8240 2244

Diecast

Diecast Aluminum

Contents - Diecast Aluminum



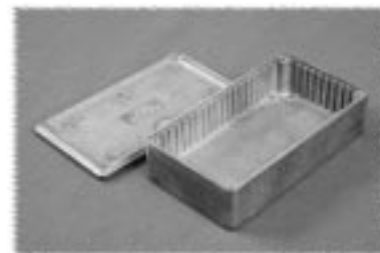
*Natural or Painted Finish
Pages 50-51*



*Flanged Lid
Pages 52-53*



*Bottom Flange
Pages 54-55*



*Internal P.C. Card Guides
Pages 56-58*

Diecast



CANADA
Guelph, Ontario (519) 822-2960
St. Laurent, Quebec (514) 343-9010
USA
Cheektowaga, NY (716) 651-0086

www.hammondmfg.com

EUROPE
Basingstoke, UK +44 1256 812812
AUSTRALASIA
Queenstown, SA, Australia +61 8 8240 2244

Natural & Painted (1590 Series)

Diecast

Countersunk lid with machine screws into drilled and tapped holes...

Vibra finished for a smooth surface with no sharp edges...



Nickel plated machine screws for superior corrosion protection...

Lap joint construction...

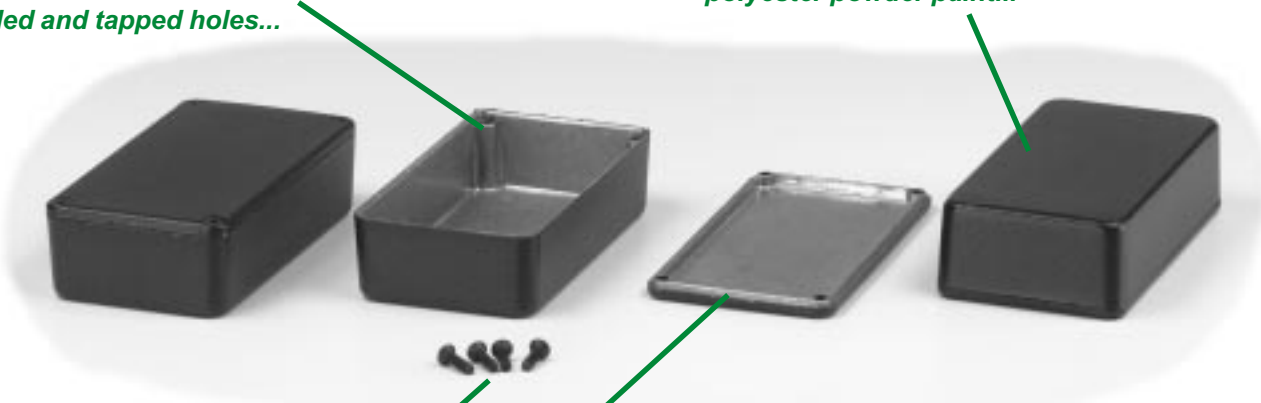
Low draft angle for easy P.C. board mounting...

OTHER KEY FEATURES

- Rugged, diecast aluminum alloy (tough yet easy to machine), electronic instrument enclosure.
- Lap joint construction provides protection against access of dust and splashing water. Also provides for improved EMI/RFI shielding.
- Painted version (shown below) is painted with tough polyester powder paint for a lasting finish, even after machining.
- Four (or 6 in 1590D, 1590DD & 1590E, 8 in 1590F) 6-32 x 1/2" machine screws secure lid - into tapped holes.
- Designed to meet IP54.
- Replacement screws for natural finish series, nickel plated, 6-32 x 1/2" - **1590MS100** - Package of 100
- Replacement screws for black painted series, 6-32 x 1/2" - **1590MS50BK** - Package of 50

Countersunk lid with machine screws into drilled and tapped holes...

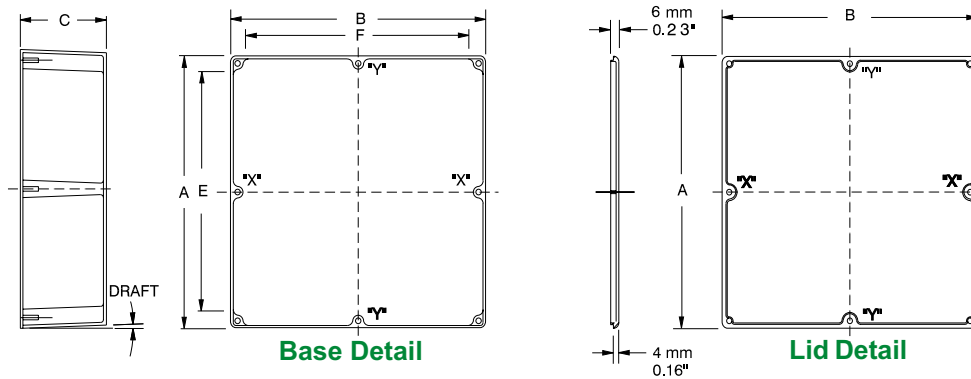
Vibra finished for a smooth surface with no sharp edges, then painted with tough polyester powder paint...



Enclosure uses machine screws into drilled & tapped holes matched to enclosure color...

Lap joint construction - lip masked to ensure good EMI/RFI connection to base...

Natural & Painted (1590 Series)



Part Number		Units	Dimensions					Apx. Draft
Unpainted	Black		A	B	C (No Lid)	E	F	
1590LLB	1590LLBBK	inch mm	1.97 50	1.97 50	.83 21	1.22 31	1.22 31	1°15'
1590LB	1590LBBK	inch mm	1.99 50.5	1.99 50.5	1.06 27	1.36 34.5	1.36 34.5	1°15'
1590H	1590HBK	inch mm	2.07 52.5	1.50 38	1.06 27	1.41 35.9	.86 21.8	1°15'
1590Y	1590YBK	inch mm	3.62 92	3.62 92	1.50 38	2.70 69	2.70 69	1°15'
1590A	1590ABK	inch mm	3.64 92.5	1.52 38.5	1.06 27	3.01 76.5	.89 22.5	1°15'
1590G	1590GBK	inch mm	3.94 100	1.97 50	0.83 21	3.31 84	1.34 34	1°15'
1590S	1590SBK	inch mm	4.35 110.5	3.21 81.5	1.57 40	3.72 94.5	2.58 65.5	1°15'
1590B	1590BBK	inch mm	4.39 111.5	2.34 59.5	1.06 27	3.76 95.5	1.71 43.5	1°15'
1590BB	1590BBBK	inch mm	4.67 118.5	3.68 93.5	1.18 30	4.04 102.5	3.05 77.5	1°15'
1590U	1590UBK	inch mm	4.70 119.5	4.70 119.5	2.17 55	4.07 103.5	4.07 103.5	1°15'
1590V	1590VBK	inch mm	4.70 119.5	4.70 119.5	3.54 90	4.07 103.5	4.07 103.5	1°15'
1590C	1590CBK	inch mm	4.72 120	3.70 94	2.07 52.5	4.09 104	3.07 78	2°
1590Q	1590QBK	inch mm	4.72 120	4.72 120	1.18 30	4.09 104	4.09 104	1°15'
1590T	1590TBK	inch mm	4.74 120.5	3.13 79.5	2.17 55	4.11 104.5	2.50 63.5	1°15'
1590N1	1590N1BK	inch mm	4.77 121.1	2.60 66	1.39 35.3	4.09 103.8	1.92 48.7	1°15'
1590KK	1590KKBK	inch mm	4.92 125	4.92 125	2.10 53	4.13 105	4.13 105	1°15'
1590K	1590KBK	inch mm	4.92 125	4.92 125	2.95 75	4.27 108.5	4.27 108.5	1°15'
1590J	1590JBK	inch mm	5.71 145	3.74 95	1.77 45	5.06 128.5	3.09 78.5	2°
1590P1	1590P1BK	inch mm	6.01 153	3.24 82	1.81 46	5.38 137	2.48 63	2°
1590DD	1590DDBK	inch mm	7.38 187.5	4.70 119.5	1.30 33	6.77 172	4.07 103.5	1°15'
1590D	1590DBK	inch mm	7.38 187.5	4.70 119.5	2.05 52	6.75 171.5	4.07 103.5	2°
1590E	1590EBK	inch mm	7.38 187.5	4.70 119.5	3.07 78	6.75 171.5	4.07 103.5	2°
1590F	1590FBK	inch mm	7.38 187.5	7.38 187.5	2.48 63	6.75 171.5	6.75 171.5	2°
1590R1	1590R1BK	inch mm	7.55 192	4.38 111	2.24 57	6.92 176	3.76 95.4	2°

Notes: Assembled height = dimension "C" + .16" (4.0 mm). Wall & lid thickness is roughly .08" (2 mm) and varies with draft due to part being cast. Posts "X" exist on parts 1590D, 1590DD & 1590E. Posts "X" & "Y" exist on part 1590F. For detailed drawings, CAD files or color photos visit our website at: www.hammondmg.com

Diecast



CANADA
Guelph, Ontario (519) 822-2960
St. Laurent, Quebec (514) 343-9010
USA
Cheektowaga, NY (716) 651-0086

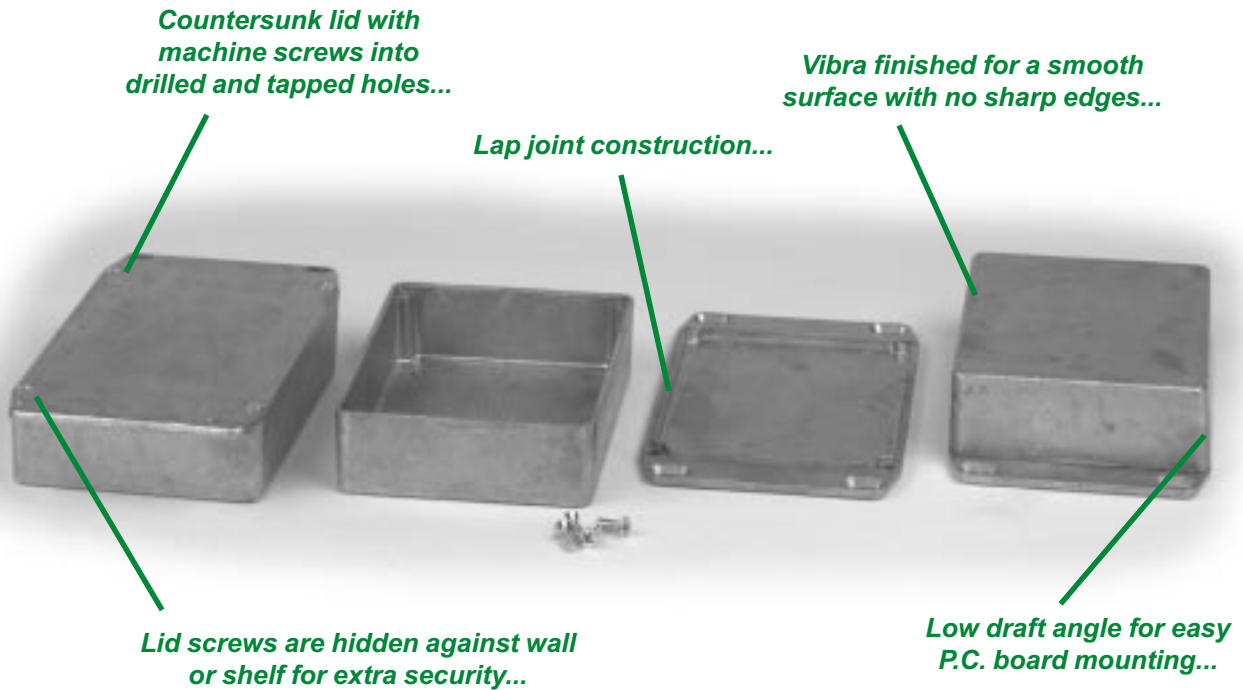
www.hammondmg.com

EUROPE
Basingstoke, UK +44 1256 812812

AUSTRALASIA
Queenstown, SA, Australia +61 8 8240 2244

Natural & Painted Flanged Lid (1590 Series)

Diecast

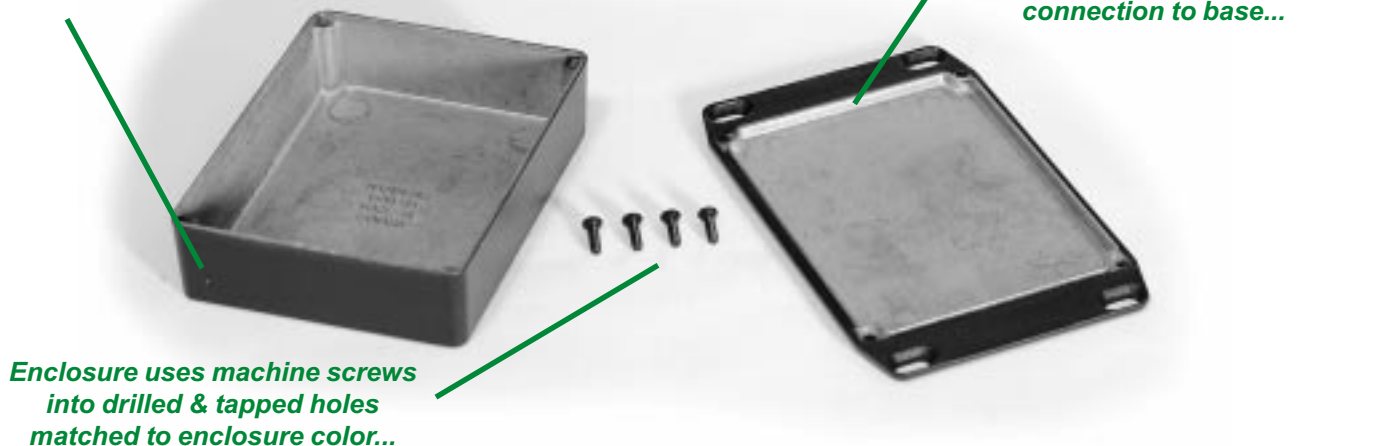


KEY FEATURES

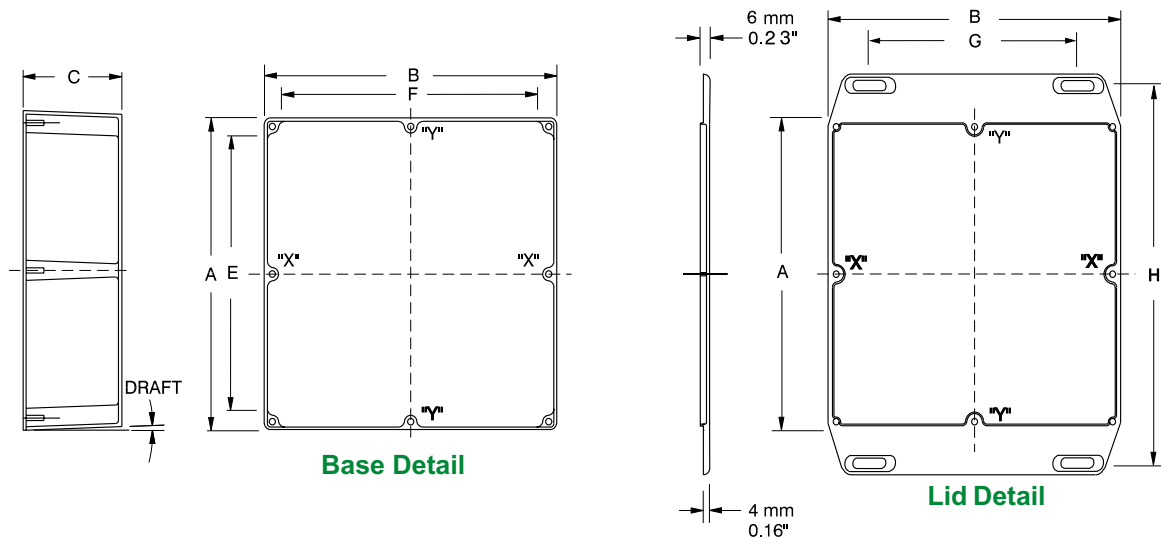
- Rugged, diecast aluminum alloy (tough yet easy to machine), electronic instrument enclosure.
- Lap joint construction provides protection against access of dust and splashing water. Also provides for improved EMI/RFI shielding.
- Flanged lid allows for easy mounting to walls or shelves.
- These enclosures share the same body and features as our regular type 1590 enclosure except the lid is extended and four countersunk holes are cast into the flanges.
- The flanged lid allows for added security as the lid screws are hidden against the wall or shelf.
- Painted version is painted with tough polyester powder paint for a lasting finish, even after machining.
- Four (or 6 in 1590D, 1590DD & 1590E, 8 in 1590F) 6-32 x 1/2" machine screws secure lid - into tapped holes.
- Designed to meet IP54.
- Replacement screws for natural finish series, nickel plated, 6-32 x 1/2" - **1590MS100** - Package of 100
- Replacement black chromate screws for black series, 6-32 x 1/2" - **1590MS50BK** - Package of 50

Vibra finished for a smooth surface with no sharp edges, then painted with tough polyester powder paint...

Lap joint construction - lip masked to ensure good EMI/RFI connection to base...



Natural & Painted Flanged Lid (1590 Series)



Part Number		Units	Dimensions							Apx. Draft
Unpainted	Black		A	B	C (No Lid)	E	F	G	H	
1590LBFL	1590LBFLBK	inch mm	1.99 50.5	1.99 50.5	1.06 27	1.36 34.5	1.36 34.5	1.04 26	2.57 65	1°15'
1590AFL	1590AFLBK	inch mm	3.64 92.5	1.52 38.5	1.06 27	3.01 76.5	.89 22.5	.54 14	4.32 110	1°15'
1590GFL	1590GFLBK	inch mm	3.94 100	1.97 50	0.83 21	3.31 84	1.34 34	0.99 25.3	4.45 113	1°15'
1590SFL	1590SFLBK	inch mm	4.35 110.5	3.21 81.5	1.57 40	3.72 94.5	2.58 65.5	2.26 57	5.03 128	1°15'
1590BFL	1590BFLBK	inch mm	4.39 111.5	2.34 59.5	1.06 27	3.76 95.5	1.71 43.5	1.40 35.6	4.99 127	1°15'
1590BBFL	1590BBFLBK	inch mm	4.67 118.5	3.68 93.5	1.18 30	4.04 102.5	3.05 77.5	2.73 69	5.38 137	1°15'
1590UFL	1590UFLBK	inch mm	4.70 119.5	4.70 119.5	2.17 55	4.07 103.5	4.07 103.5	3.77 96	5.42 138	1°15'
1590VFL	1590VFLBK	inch mm	4.70 119.5	4.70 119.5	3.54 90	4.07 103.5	4.07 103.5	3.73 96	5.42 138	1°15'
1590CFL	1590CFLBK	inch mm	4.72 120	3.70 94	2.07 52.5	4.09 104	3.07 78	2.73 69	5.38 137	2°
1590QFL	1590QFLBK	inch mm	4.72 120	4.72 120	1.18 30	4.09 104	4.09 104	2.73 69	8.04 204	1°15'
1590TFL	1590TFLBK	inch mm	4.74 120.5	3.13 79.5	2.17 55	4.11 104.5	2.50 63.5	2.19 56	5.42 138	1°15'
1590N1FL	1590N1FLBK	inch mm	4.77 121.1	2.60 66	1.39 35.3	4.09 103.8	1.92 48.7	1.52 38.5	5.35 135.8	1°15'
1590P1FL	1590P1FLBK	inch mm	6.01 153	3.24 82	1.81 46	5.38 137	2.48 63	2.20 56	6.62 168	2°
1590DDFL	1590DDFLBK	inch mm	7.38 187.5	4.70 119.5	1.30 33	6.77 172	4.07 103.5	3.73 95	8.08 205	1°15'
1590DFL	1590DFLBK	inch mm	7.38 187.5	4.70 119.5	2.05 52	6.75 171.5	4.07 103.5	3.73 96	8.08 205	2°
1590EFL	1590EFLBK	inch mm	7.38 187.5	4.70 119.5	3.07 78	6.75 171.5	4.07 103.5	3.73 96	8.08 205	2°
1590FFL	1590FFLBK	inch mm	7.38 187.5	7.38 187.5	2.48 63	6.75 171.5	6.75 171.5	6.43 163	8.08 205	2°
1590R1FL	1590R1FLBK	inch mm	7.55 192	4.38 111	2.24 57	6.92 176	3.76 95.4	3.13 79.4	8.05 204	2°

Notes: Assembled height = dimension "C" + .16" (4.0 mm). Wall & lid thickness is roughly .08" (2 mm) and varies with draft due to part being cast. Posts "X" exist on parts 1590D, 1590DD & 1590E. Posts "X" & "Y" exist on part 1590F. For detailed drawings, CAD files or color photos visit our website at: www.hammondmfg.com



CANADA
Guelph, Ontario (519) 822-2960
St. Laurent, Quebec (514) 343-9010
USA
Cheektowaga, NY (716) 651-0086



EUROPE
Basingstoke, UK +44 1256 812812

AUSTRALASIA
Queenstown, SA, Australia +61 8 8240 2244

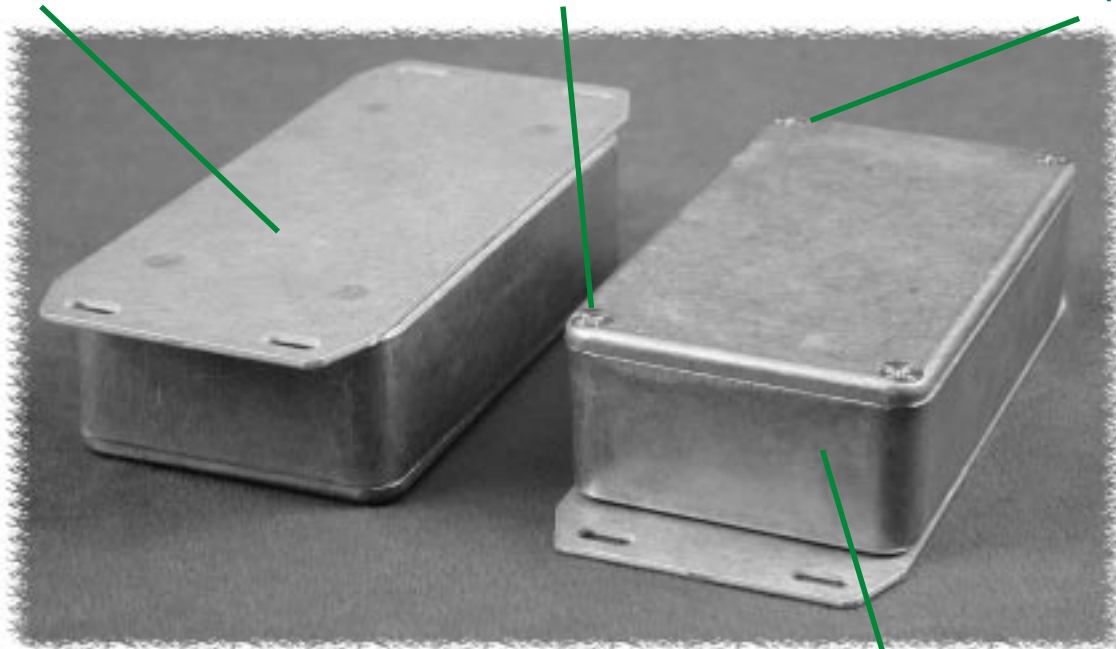
Diecast

Natural & Painted With Flange (1590 Series)

Bottom flange is an aluminum plate, welded onto the base of the enclosure...

Lid screws are exposed for easy enclosure access...

Countersunk lid with machine screws into drilled and tapped holes...

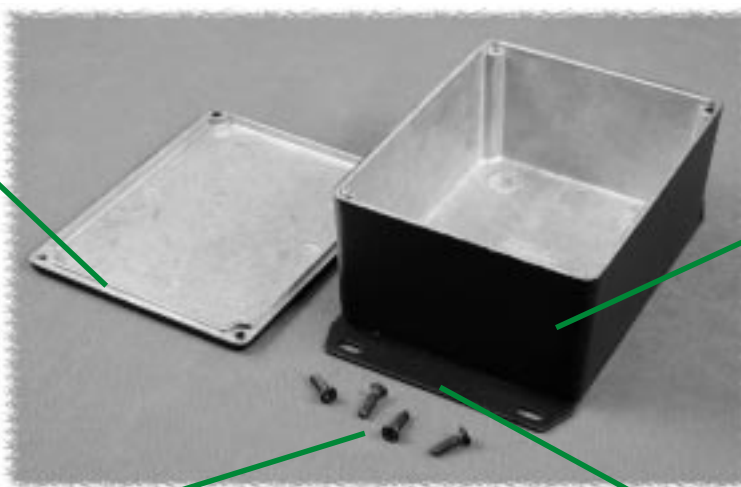


Vibra finished for a smooth surface with no sharp edges...

OTHER KEY FEATURES

- Rugged, diecast aluminum alloy (tough yet easy to machine), electronic instrument enclosure.
- Lap joint construction provides protection against access of dust and splashing water. Also provides for improved EMI/RFI shielding.
- Painted version (shown below) is painted with tough polyester powder paint for a lasting finish, even after machining.
- Four (or 6 in 1590D, 1590DD & 1590E, 8 in 1590F) 6-32 x 1/2" machine screws secure lid - into tapped holes.
- Designed to meet IP54
- Replacement screws for natural finish series, nickel plated, 6-32 x 1/2" - **1590MS100** - Package of 100
- Replacement black chromate screws for black series, 6-32 x 1/2" - **1590MS50BK** - Package of 50

Lap joint construction - lip masked to ensure good EMI/RFI connection to base...

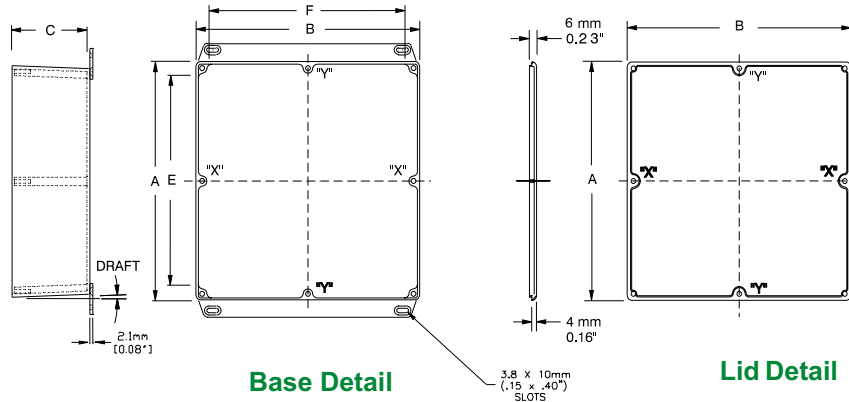


Vibra finished for a smooth surface with no sharp edges, then painted with tough polyester powder paint...

Enclosure uses machine screws into drilled & tapped holes matched to enclosure color...

Bottom flange is an aluminum plate, welded onto the base of the enclosure...

Natural & Painted With Flange (1590 Series)



Base Detail

Lid Detail

Part Number		Units	Dimensions					Apx. Draft
Unpainted	Black		A	B	C (No Lid)	E	F	
1590LLBF	1590LLFBK	inch mm	1.97 50	1.97 50	0.83 21	1.22 31	1.22 31	1°15'
1590LBF	1590LBFBK	inch mm	1.99 50.5	1.99 50.5	1.06 27	1.36 34.5	1.36 34.5	1°15'
1590HF	1590HFBK	inch mm	2.07 52.5	1.50 38	1.06 27	1.41 35.9	.86 21.8	1°15'
1590YF	1590YFBK	inch mm	3.62 92	3.62 92	1.50 38	2.70 69	2.70 69	1°15'
1590AF	1590AFBK	inch mm	3.64 92.5	1.52 38.5	1.06 27	3.01 76.5	.89 22.5	1°15'
1590GF	1590GFBK	inch mm	3.94 100	1.97 50	0.83 21	3.31 84	1.34 34	1°15'
1590SF	1590SFBK	inch mm	4.35 110.5	3.21 81.5	1.57 40	3.72 94.5	2.58 65.5	1°15'
1590BF	1590BFBK	inch mm	4.39 111.5	2.34 59.5	1.06 27	3.76 95.5	1.71 43.5	1°15'
1590BBF	1590BBFBK	inch mm	4.67 118.5	3.68 93.5	1.18 30	4.04 102.5	3.05 77.5	1°15'
1590UF	1590UFBK	inch mm	4.70 119.5	4.70 119.5	2.17 55	4.07 103.5	4.07 103.5	1°15'
1590VF	1590VFBK	inch mm	4.70 119.5	4.70 119.5	3.54 90	4.07 103.5	4.07 103.5	1°15'
1590CF	1590CFBK	inch mm	4.72 120	3.70 94	2.07 52.5	4.09 104	3.07 78	2°
1590QF	1590QFBK	inch mm	4.72 120	4.72 120	1.18 30	4.09 104	4.09 104	1°15'
1590TF	1590TFBK	inch mm	4.74 120.5	3.13 79.5	2.17 55	4.11 104.5	2.50 63.5	1°15'
1590N1F	1590N1FBK	inch mm	4.77 121.1	2.60 66	1.39 35.3	4.09 103.8	1.92 48.7	1°15'
1590KKF	1590KKFBK	inch mm	4.92 125	4.92 125	2.10 53	4.13 105	4.13 105	1°15'
1590KF	1590KFBK	inch mm	4.92 125	4.92 125	2.95 75	4.27 108.5	4.27 108.5	1°15'
1590JF	1590JFBK	inch mm	5.71 145	3.74 95	1.77 45	5.06 128.5	3.09 78.5	2°
1590P1F	1590P1FBK	inch mm	6.01 153	3.24 82	1.81 46	5.38 137	2.48 63	2°
1590DDF	1590DDFBK	inch mm	7.38 187.5	4.70 119.5	1.30 33	6.77 172	4.07 103.5	1°15'
1590DF	1590DFBK	inch mm	7.38 187.5	4.70 119.5	2.05 52	6.75 171.5	4.07 103.5	2°
1590EF	1590EFBK	inch mm	7.38 187.5	4.70 119.5	3.07 78	6.75 171.5	4.07 103.5	2°
1590FF	1590FFBK	inch mm	7.38 187.5	7.38 187.5	2.48 63	6.75 171.5	6.75 171.5	2°
1590R1F	1590R1FBK	inch mm	7.55 192	4.38 111	2.24 57	6.92 176	3.76 95.4	2°

Notes: Assembled height = dimension "C" + .16" (4.0 mm). Wall & lid thickness is roughly .08" (2 mm) and varies with draft due to part being cast. Posts "X" exist on parts 1590D, 1590DD & 1590E. Posts "X" & "Y" exist on part 1590F. For detailed drawings, CAD files or color photos visit our website at: www.hammondmgf.com

Diecast



CANADA
Guelph, Ontario (519) 822-2960
St. Laurent, Quebec (514) 343-9010
USA
Cheektowaga, NY (716) 651-0086

www.hammondmgf.com

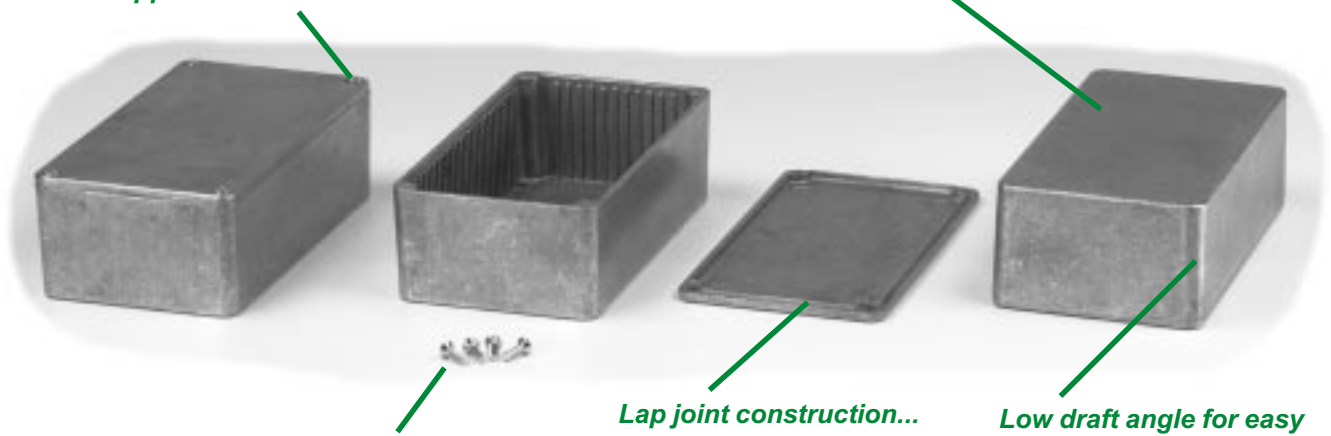
EUROPE
Basingstoke, UK +44 1256 812812

AUSTRALASIA
Queenstown, SA, Australia +61 8 8240 2244

P.C. Card Guide (1590 Series)

Countersunk lid with machine screws into drilled and tapped holes...

Vibra finished for a smooth surface with no sharp edges...



Enclosure uses machine screws into threaded holes...

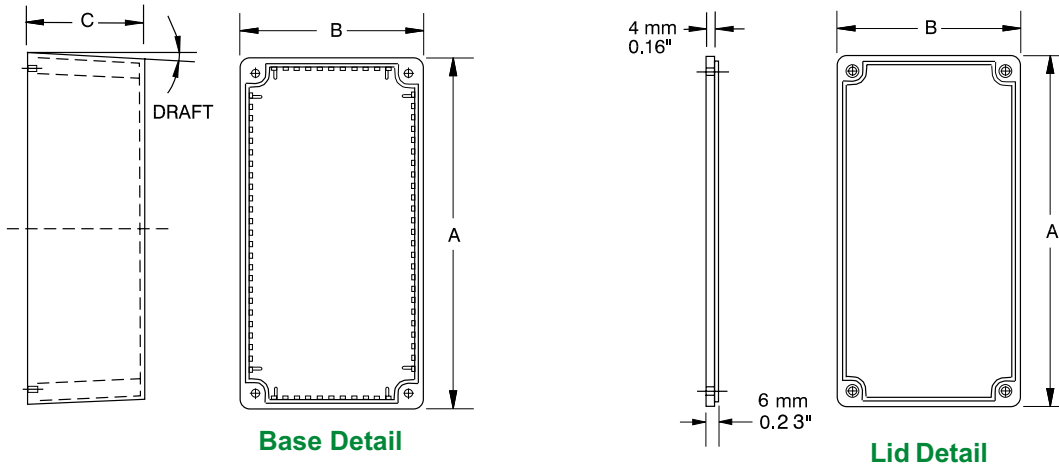
Lap joint construction...

Low draft angle for easy P.C. board mounting...

Diecast

OTHER KEY FEATURES

- Rugged, diecast aluminum alloy (tough yet easy to machine), electronic instrument enclosure.
- Lap joint construction provides protection against access of dust and splashing water. Also provides for improved EMI/RFI shielding.
- Painted version is painted with tough powder paint for a lasting finish, even after machining.
- Designed to meet IP54.
- Integral card guides cast in, accept 1.5 mm (0.062") P.C. cards.



- Notes:**
- Assembled height = dimension "C" + .16" (4.0 mm)
 - Wall & lid thickness is roughly .08" (2 mm) and varies with draft due to part being cast.
 - For detailed drawings, CAD files or color photos visit our website at: www.hammondmfg.com

ACCESSORIES



P.C. Board Card Adaptors
Allows horizontal mounting of P.C. board(s). See "Accessories Section" for full details!
1591Z6 - Package of 6
1591Z50 - Package of 50
1591Z100 - Package of 100



Replacement Screws
See Parts Table (next page)

Flanged Version

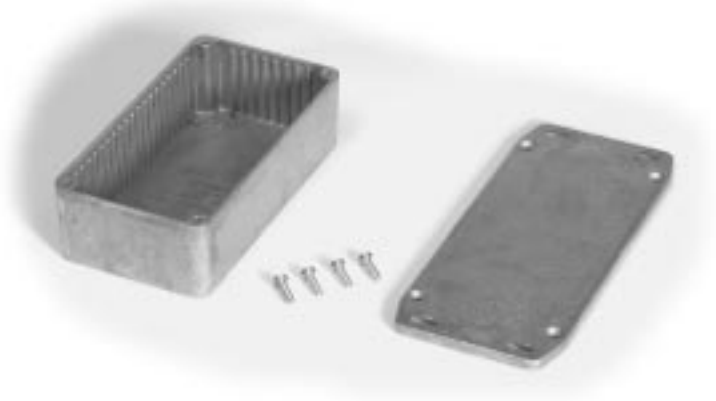


KEY FEATURES

- Same as previous page.
- Factory installed flanges.
- Lid screws are exposed for easy enclosure access.
- Designed to meet IP54.

Diecast

Flanged Lid Version



KEY FEATURES

- Same as previous page.
- Lid screws are hidden against wall or shelf for extra security.
- Designed to meet IP54.

Part Number				Units	Dimensions			Apx. Draft	Screw Thread	Part Number
Unpainted	Black	Flanged (Unpainted)	Flanged Lid (Unpainted)		A	B	C (No Lid)			Replacement Screws (Pkg. 100)
1590L	1590LBK	1590LF	-	inch mm	3.96 101	1.98 50	.83 21	2°	M3-0.5x10mm	1591MS100
1590M	1590MBK	1590MF	-	inch mm	4.48 114	2.49 63	1.06 27	2°	M3-0.5x10mm	1591MS100
1590N	1590NBK	1590NF	1590NFL	inch mm	4.75 121	2.61 66	1.42 36	2°	6-32x1/2"	1590MS100
1590P	1590PBK	1590PF	1590PFL	inch mm	6.01 153	3.24 82	1.81 46	2°	6-32x1/2"	1590MS100
1590R	1590RBK	1590RF	-	inch mm	7.55 192	4.38 111	2.24 57	2°	6-32x1/2"	1590MS100

Notes: Assembled height = dimension "C" + .16" (4.0 mm). Wall & lid thickness is roughly .08" (2 mm) and varies with draft due to part being cast. For detailed drawings, CAD files or color photos visit our website at: www.hammondmfg.com



CANADA
Guelph, Ontario (519) 822-2960
St. Laurent, Quebec (514) 343-9010
USA
Cheektowaga, NY (716) 651-0086



EUROPE
Basingstoke, UK +44 1256 812812

AUSTRALASIA
Queenstown, SA, Australia +61 8 8240 2244

P.C. Card Guide (1590 Series)

Watertight Version



KEY FEATURES

- Same as previous page.
- Bead of silicone rubber around lid perimeter.
- Designed to meet IP65.
- Painted version uses tough powder paint on exterior only.

Part Number		Units	Dimensions			Apx. Draft
Unpainted	Black		A	B	C (No Lid)	
1590WN	1590WNBK	inch mm	4.75 121	2.61 66	1.42 36	2°
1590WP	1590WPBK	inch mm	6.01 153	3.24 82	1.81 46	2°

Diecast

Watertight Flanged Lid Version



KEY FEATURES

- Same as previous page.
- Lid screws are hidden against wall or shelf for extra security.
- Bead of silicone rubber around lid perimeter.
- Designed to meet IP65.
- Painted version uses tough powder paint on exterior only.

Part Number		Units	Dimensions			Apx. Draft
Unpainted	Black		A	B	C (No Lid)	
1590WNFL	1590WNFLBK	inch mm	4.75 121	2.61 66	1.42 36	2°
1590WPFL	1590WPFLBK	inch mm	6.01 153	3.24 82	1.81 46	2°

Watertight Flanged Version

KEY FEATURES



- Same as previous page.
- Bead of silicone rubber around lid perimeter.
- Designed to meet IP65.
- Painted version uses tough powder paint on exterior only.

Part Number		Units	Dimensions			Apx. Draft
Unpainted	Black		A	B	C (No Lid)	
1590WNF	1590WNFBK	inch mm	4.75 121	2.61 66	1.42 36	2°
1590WPF	1590WPFBK	inch mm	6.01 153	3.24 82	1.81 46	2°

Accessories (1590 Series)

Replacement Screws



As used in the natural finish 1590 diecast series (except 1590L, 1590LBK, 1590LGY, 1590M, 1590MBK, 1590MGY use 1591MS100 below)

Machine screw, nickel plated. 6-32 x 1/2"

1590MS100 - Package of 100



As used in the 1590 diecast series 1590L, 1590LBK, 1590LGY, 1590M, 1590MBK, 1590MGY only.

Machine screw, nickel plated. M3 - 0.5 x 10 mm

1591MS100 - Package of 100



Machine screw, black oxide finish, as used in the black 1590 diecast series.

6-32 x 1/2"

1590MS50BK - Package of 50



Stainless steel, machine screw as used in the watertight 1590 diecast series.

6-32 x 1/2"

1590WMS100 - Package of 100



Black stainless steel (not painted, black oxide finished), machine screw as used in the black watertight 1590 diecast series.

6-32 x 1/2"

1590WMS100BK - Package of 100

Diecast



CANADA

Guelph, Ontario (519) 822-2960
St. Laurent, Quebec (514) 343-9010

USA

Cheektowaga, NY (716) 651-0086



EUROPE

Basingstoke, UK +44 1256 812812

AUSTRALASIA

Queenstown, SA, Australia +61 8 8240 2244



Sealed Diecast



Contents - Sealed Diecast Aluminum



Natural or Painted Finish
Pages 62-63



Flanged Lid
Pages 64-65



Bottom Flange
Pages 66-67



Heavy Duty - Thick Wall
Pages 68-71

Sealed Diecast

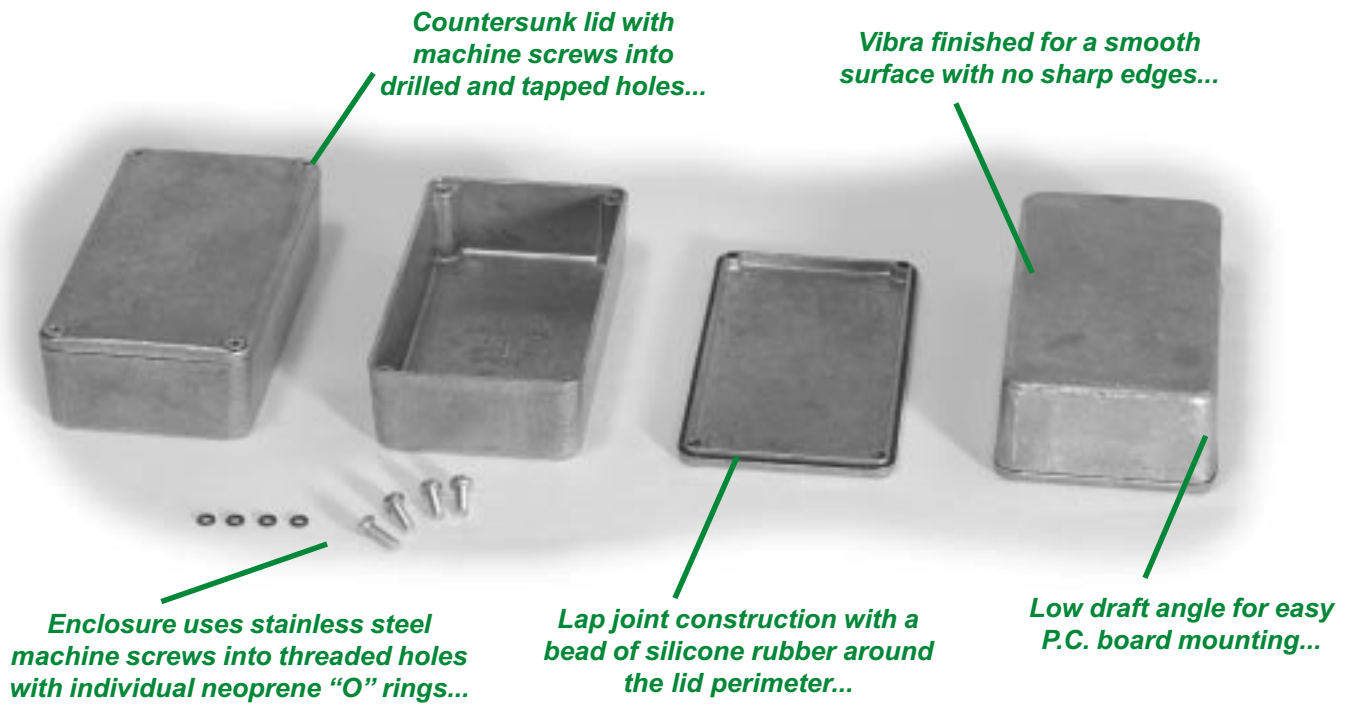


CANADA
Guelph, Ontario (519) 822-2960
St. Laurent, Quebec (514) 343-9010
USA
Cheektowaga, NY (716) 651-0086

www.hammondmfg.com

EUROPE
Basingstoke, UK +44 1256 812812
AUSTRALASIA
Queenstown, SA, Australia +61 8 8240 2244

Natural & Painted Watertight (1590W Series)



OTHER KEY FEATURES

Sealed Diecast

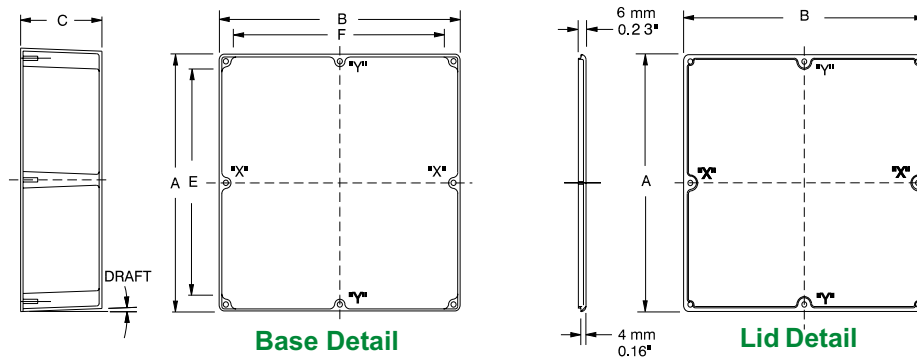
- Rugged, diecast aluminum alloy (tough yet easy to machine), electronic instrument enclosure.
- Two piece lap joint construction with a bead of silicone rubber around the perimeter provides protection against access of dust and water. Silicone rubber remains usable from -62 to +232°C (-80 to +450 °F)
- Painted version is painted with tough polyester powder paint for a lasting finish, even after machining.
- 4 (or 6 in 1590D, DD & E, 8 in 1590F) 6-32 x 1/2" stainless steel machine screws secure lid - into tapped holes.
- Designed to meet IP65.
- Replacement screws for natural finish series, stainless steel, 6-32 x 1/2" - **1590WMS100**
- Replacement black oxide screws for black finish, stainless steel, 6-32 x 1/2" - **1590WMS100BK**

Countersunk lid with machine screws into drilled and tapped holes...

Vibra finished for a smooth surface with no sharp edges, then painted with tough polyester powder paint...



Natural & Painted Watertight (1590W Series)



Base Detail

Lid Detail

Part Number		Units	Dimensions					Apx. Draft
Unpainted	Black		A	B	C (No Lid)	E	F	
1590WLLB	1590WLLBBK	inch mm	1.97 50	1.97 50	0.83 21	1.22 31	1.22 31	1°15'
1590WLB	1590WLBK	inch mm	1.99 50.5	1.99 50.5	1.06 27	1.36 34.5	1.36 34.5	1°15'
1590WH	1590WHBK	inch mm	2.07 52.5	1.50 38	1.06 27	1.41 35.9	.86 21.8	1°15'
1590WY	1590WYBK	inch mm	3.62 92	3.62 92	1.50 38	2.70 69	2.70 69	1°15'
1590WA	1590WABK	inch mm	3.64 92.5	1.52 38.5	1.06 27	3.01 76.5	.89 22.5	1°15'
1590WG	1590WGBK	inch mm	3.94 100	1.97 50	0.83 21	3.31 84	1.34 34	1°15'
1590WS	1590WSBK	inch mm	4.35 110.5	3.21 81.5	1.57 40	3.72 94.5	2.58 65.5	1°15'
1590WB	1590WBBK	inch mm	4.39 111.5	2.34 59.5	1.06 27	3.76 95.5	1.71 43.5	1°15'
1590WBB	1590WBBBK	inch mm	4.67 118.5	3.68 93.5	1.18 30	4.04 102.5	3.05 77.5	1°15'
1590WU	1590WUBK	inch mm	4.70 119.5	4.70 119.5	2.17 55	4.07 103.5	4.07 103.5	1°15'
1590WV	1590WVBK	inch mm	4.70 119.5	4.70 119.5	3.54 90	4.07 103.5	4.07 103.5	1°15'
1590WC	1590WCBK	inch mm	4.72 120	3.70 94	2.07 52.5	4.09 104	3.07 78	2°
1590WQ	1590WQBK	inch mm	4.72 120	4.72 120	1.18 30	4.09 104	4.09 104	1°15'
1590WT	1590WTBK	inch mm	4.74 120.5	3.13 79.5	2.17 55	4.11 104.5	2.50 63.5	1°15'
1590WN1	1590WN1BK	inch mm	4.77 121.1	2.60 66	1.39 35.3	4.09 103.8	1.92 48.7	1°15'
1590WKK	1590WKKBK	inch mm	4.92 125	4.92 125	2.10 53	4.13 105	4.13 105	1°15'
1590WK	1590WKBK	inch mm	4.92 125	4.92 125	2.95 75	4.27 108.5	4.27 108.5	1°15'
1590WJ	1590WJBK	inch mm	5.71 145	3.74 95	1.77 45	5.06 128.5	3.09 78.5	2°
1590WP1	1590WP1BK	inch mm	6.01 153	3.24 82	1.81 46	5.38 137	2.48 63	2°
1590WDD	1590WDDBK	inch mm	7.38 187.5	4.70 119.5	1.30 33	6.77 172	4.07 103.5	1°15'
1590WD	1590WDBK	inch mm	7.38 187.5	4.70 119.5	2.05 52	6.75 171.5	4.07 103.5	2°
1590WE	1590WEBK	inch mm	7.38 187.5	4.70 119.5	3.07 78	6.75 171.5	4.07 103.5	2°
1590WF	1590WFBK	inch mm	7.38 187.5	7.38 187.5	2.48 63	6.75 171.5	6.75 171.5	2°
1590WR1	1590WR1BK	inch mm	7.55 192	4.38 111	2.24 57	6.92 176	3.76 95.4	2°

Sealed Diecast

Notes: Assembled height = dimension "C" + .16" (4.0 mm). Wall & lid thickness is roughly .08" (2 mm) and varies with draft due to part being cast. Posts "X" exist on parts 1590D, 1590DD & 1590E. Posts "X" & "Y" exist on part 1590F. For detailed drawings, CAD files or color photos visit our website at: www.hammondmg.com



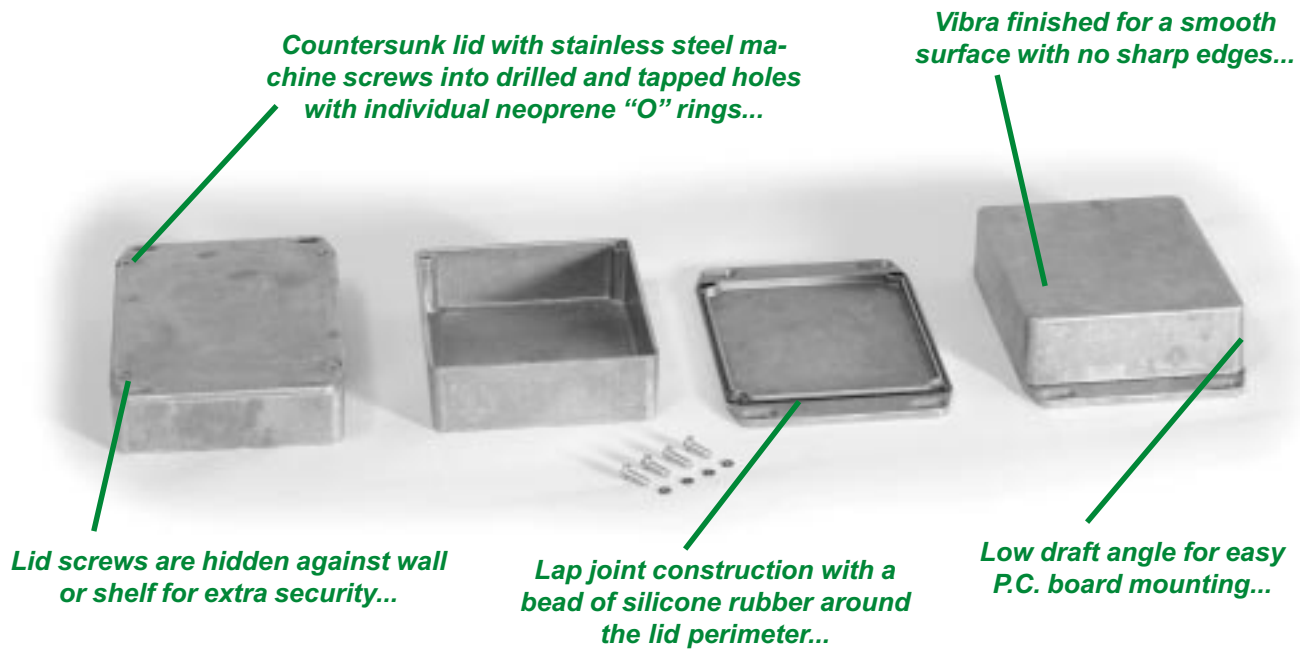
CANADA
Guelph, Ontario (519) 822-2960
St. Laurent, Quebec (514) 343-9010
USA
Cheektowaga, NY (716) 651-0086



EUROPE
Basingstoke, UK +44 1256 812812

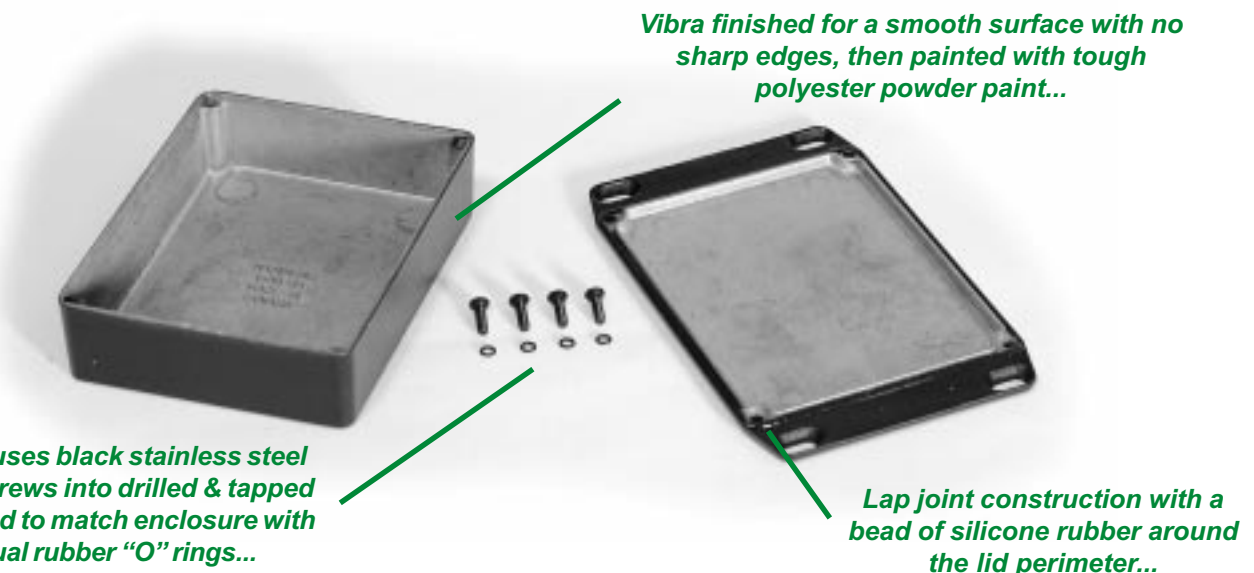
AUSTRALASIA
Queenstown, SA, Australia +61 8 8240 2244

Watertight With Flanged Lid (1590W Series)

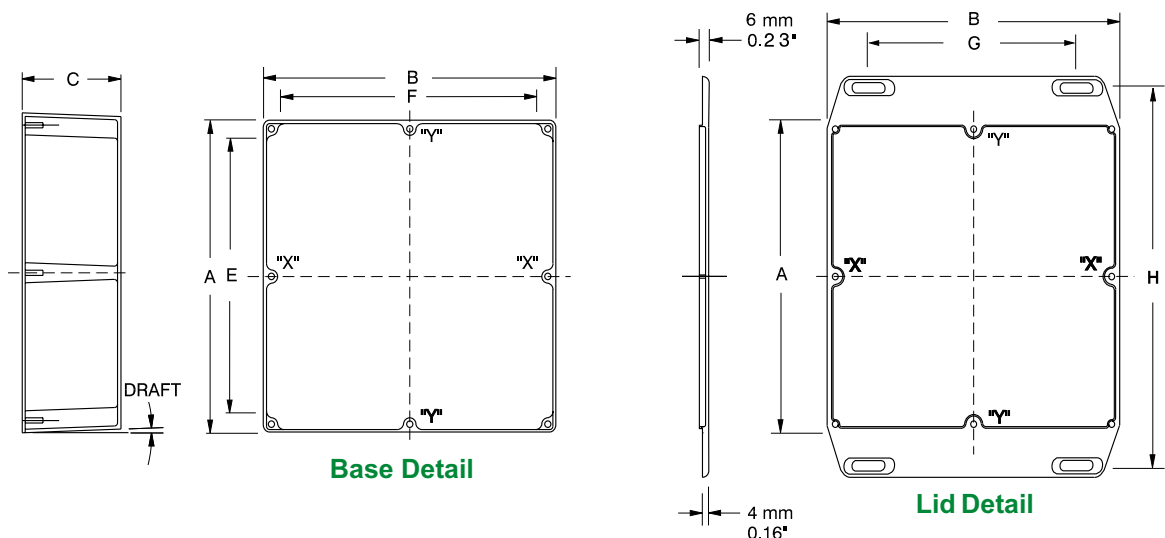


KEY FEATURES

- Rugged, diecast aluminum alloy (tough yet easy to machine), electronic instrument enclosure.
- Two piece lap joint construction with a bead of silicone rubber around the perimeter provides protection against access of dust and water. Silicone rubber remains usable from -62 to +232°C (-80 to +450 °F)•
- Flanged lid allows for easy mounting to walls or shelves.
- These enclosures share the same body and features as our regular type 1590 enclosure except the lid is extended and four countersunk holes are cast into the flanges.
- The flanged lid allows for added security as the lid screws are hidden against the wall or shelf.
- Painted version is painted with tough polyester powder paint for a lasting finish, even after machining.
- Four (or 6 in 1590D, 1590DD & 1590E, 8 in 1590F) 6-32 x 1/2" machine screws secure lid - into tapped holes.
- Designed to meet IP65
- Replacement screws for natural finish series, stainless steel, 6-32 x 1/2" - **1590WMS100**
- Replacement black oxide screws for black finish, stainless steel, 6-32 x 1/2" - **1590WMS100BK**



Watertight With Flanged Lid (1590W Series)



Part Number		Units	Dimensions							Apx. Draft
Unpainted	Black		A	B	C (No Lid)	E	F	G	H	
1590WLBFL	1590WLBFLBK	inch mm	1.99 50.5	1.99 50.5	1.06 27	1.36 34.5	1.36 34.5	1.04 26	2.57 65	1°15'
1590WAFL	1590WAFLBK	inch mm	3.64 92.5	1.52 38.5	1.06 27	3.01 76.5	.89 22.5	.54 14	4.32 110	1°15'
1590WGFL	1590WGFLBK	inch mm	3.94 100	1.97 50	0.83 21	3.31 84	1.34 34	0.99 25.3	4.45 113	1°15'
1590WSFL	1590WSFLBK	inch mm	4.35 110.5	3.21 81.5	1.57 40	3.72 94.5	2.58 65.5	2.26 57	5.03 128	1°15'
1590WBFL	1590WBFLBK	inch mm	4.39 111.5	2.34 59.5	1.06 27	3.76 95.5	1.71 43.5	1.40 35.6	4.99 127	1°15'
1590WBBFL	1590WBBFLBK	inch mm	4.67 118.5	3.68 93.5	1.18 30	4.04 102.5	3.05 77.5	2.73 69	5.38 137	1°15'
1590WUFL	1590WUFLBK	inch mm	4.70 119.5	4.70 119.5	2.17 55	4.07 103.5	4.07 103.5	3.77 96	5.42 138	1°15'
1590WVFL	1590WVFLBK	inch mm	4.70 119.5	4.70 119.5	3.54 90	4.07 103.5	4.07 103.5	3.73 96	5.42 138	1°15'
1590WCFL	1590WCFLBK	inch mm	4.72 120	3.70 94	2.07 52.5	4.09 104	3.07 78	2.73 69	5.38 137	2°
1590WQFL	1590WQFLBK	inch mm	4.72 120	4.72 120	1.18 30	4.09 104	4.09 104	2.73 69	8.04 204	1°15'
1590WTFL	1590WTFLBK	inch mm	4.74 120.5	3.13 79.5	2.17 55	4.11 104.5	2.50 63.5	2.19 56	5.42 138	1°15'
1590WN1FL	1590WN1FLBK	inch mm	4.77 121.1	2.60 66	1.39 35.3	4.09 103.8	1.92 48.7	1.52 38.5	5.35 135.8	1°15'
1590WP1FL	1590WP1FLBK	inch mm	6.01 153	3.24 82	1.81 46	5.38 137	2.48 63	2.20 56	6.62 168	2°
1590WDDFL	1590WDDFLBK	inch mm	7.38 187.5	4.70 119.5	1.30 33	6.77 172	4.07 103.5	3.73 95	8.08 205	1°15'
1590WDFL	1590WDFLBK	inch mm	7.38 187.5	4.70 119.5	2.05 52	6.75 171.5	4.07 103.5	3.73 96	8.08 205	2°
1590WEFL	1590WEFLBK	inch mm	7.38 187.5	4.70 119.5	3.07 78	6.75 171.5	4.07 103.5	3.73 96	8.08 205	2°
1590WFFL	1590WFFLBK	inch mm	7.38 187.5	7.38 187.5	2.48 63	6.75 171.5	6.75 171.5	6.43 163	8.08 205	2°
1590WR1FL	1590WR1FLBK	inch mm	7.55 192	4.38 111	2.24 57	6.92 176	3.76 95.4	3.13 79.4	8.05 204	2°

Notes: Assembled height = dimension "C" + .16" (4.0 mm). Wall & lid thickness is roughly .08" (2 mm) and varies with draft due to part being cast. Posts "X" exist on parts 1590D, 1590DD & 1590E. Posts "X" & "Y" exist on part 1590F. For detailed drawings, CAD files or color photos visit our website at: www.hammondmfg.com

Sealed Diecast



CANADA
Guelph, Ontario (519) 822-2960
St. Laurent, Quebec (514) 343-9010
USA
Cheektowaga, NY (716) 651-0086



EUROPE
Basingstoke, UK +44 1256 812812

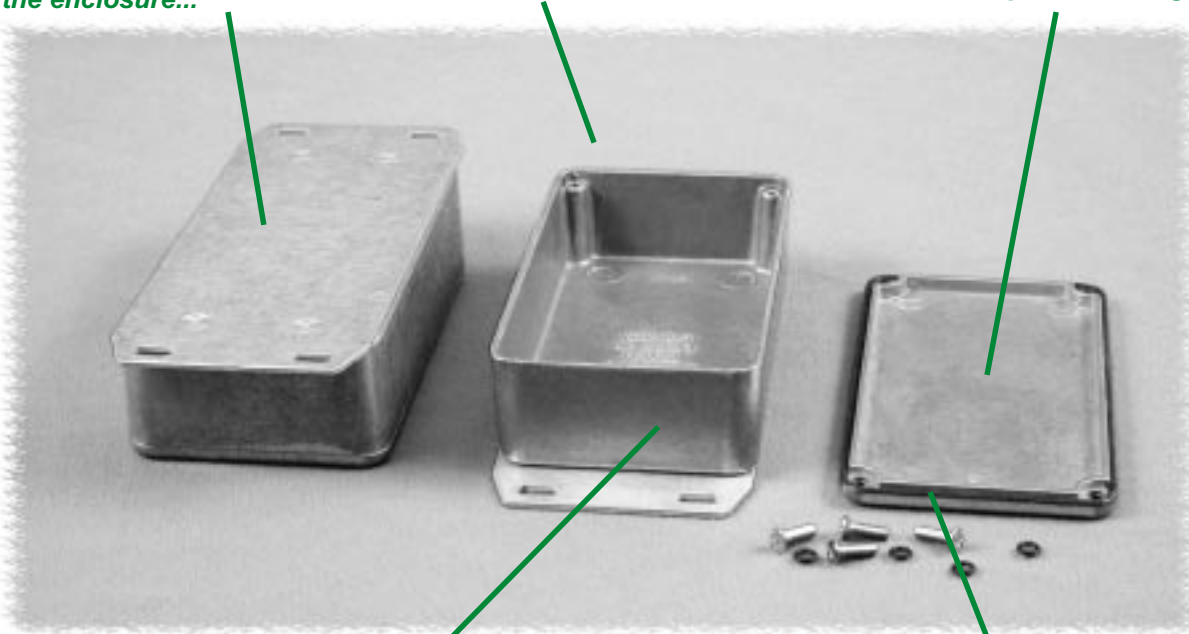
AUSTRALASIA
Queenstown, SA, Australia +61 8 8240 2244

Watertight With Bottom Flange (1590W Series)

Bottom flange is an aluminum plate, welded onto the base of the enclosure...

Lid screws are exposed for easy enclosure access...

Countersunk lid with stainless steel machine screws into drilled and tapped holes with individual neoprene "O" rings...



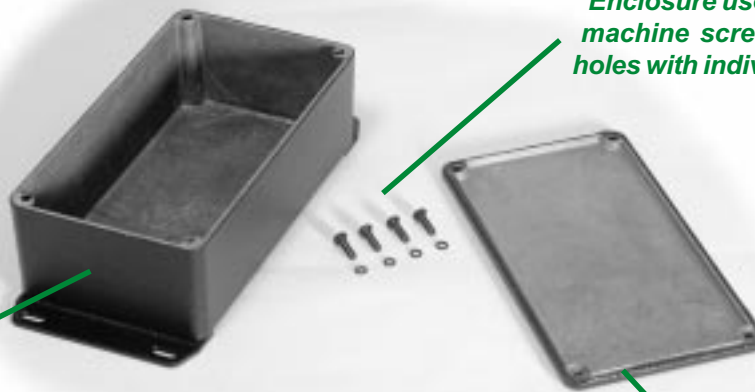
Vibra finished for a smooth surface with no sharp edges...

Lap joint construction with a bead of silicone rubber around the lid perimeter...

OTHER KEY FEATURES

- Rugged, diecast aluminum alloy (tough yet easy to machine), electronic instrument enclosure.
- Two piece lap joint construction with a bead of silicone rubber around the perimeter provides protection against access of dust and water. Silicone rubber remains usable from -62 to +232°C (-80 to +450 °F)
- Painted version is painted with tough polyester powder paint for a lasting finish, even after machining.
- Four (or 6 in 1590D, 1590DD & 1590E, 8 in 1590F) 6-32 x 1/2" stainless steel machine screws secure lid - into tapped holes.
- Low side wall draft angle (2 degrees or less) for easy P.C. board mounting.
- Designed to meet IP65
- Replacement screws for natural finish series, stainless steel, 6-32 x 1/2" - **1590WMS100**
- Replacement black oxide screws for black finish, stainless steel, 6-32 x 1/2" - **1590WMS100BK**

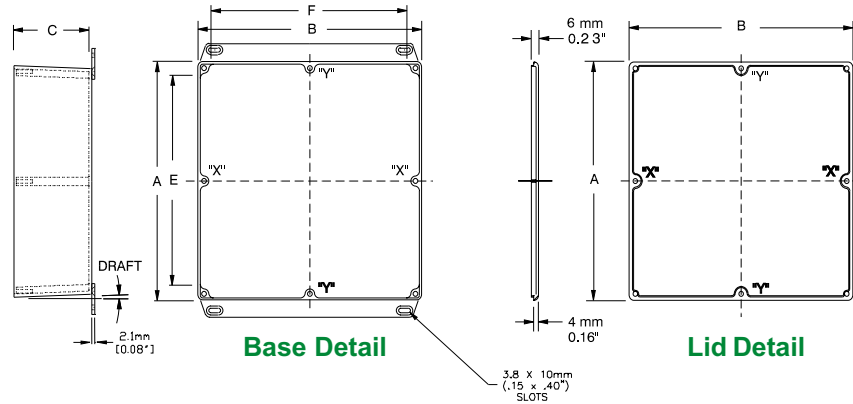
Enclosure uses black stainless steel machine screws into drilled & tapped holes with individual rubber "O" rings...



Vibra finished for a smooth surface with no sharp edges, then painted with tough polyester powder paint...

Lap joint construction with a bead of silicone rubber around the lid perimeter...

Watertight With Bottom Flange (1590W Series)



Part Number		Units	Dimensions					Apx. Draft
Unpainted	Black		A	B	C (No Lid)	E	F	
1590WLLBF	1590WLLBFBK	inch mm	1.97 50	1.97 50	0.83 21	1.22 31	1.22 31	1°15'
1590WLBFB	1590WLBFBK	inch mm	1.99 50.5	1.99 50.5	1.06 27	1.36 34.5	1.36 34.5	1°15'
1590WHFB	1590WHFBK	inch mm	2.07 52.5	1.50 38	1.06 27	1.41 35.9	.86 21.8	1°15'
1590WYFB	1590WYFBK	inch mm	3.62 92	3.62 92	1.50 38	2.70 69	2.70 69	1°15'
1590WAFB	1590WAFBK	inch mm	3.64 92.5	1.52 38.5	1.06 27	3.01 76.5	.89 22.5	1°15'
1590WGBF	1590WGBFK	inch mm	3.94 100	1.97 50	0.83 21	3.31 84	1.34 34	1°15'
1590WSFB	1590WSFBK	inch mm	4.35 110.5	3.21 81.5	1.57 40	3.72 94.5	2.58 65.5	1°15'
1590WBF	1590WBFBK	inch mm	4.39 111.5	2.34 59.5	1.06 27	3.76 95.5	1.71 43.5	1°15'
1590WBBFB	1590WBBFBK	inch mm	4.67 118.5	3.68 93.5	1.18 30	4.04 102.5	3.05 77.5	1°15'
1590WUFB	1590WUFBK	inch mm	4.70 119.5	4.70 119.5	2.17 55	4.07 103.5	4.07 103.5	1°15'
1590WVFB	1590WVFBK	inch mm	4.70 119.5	4.70 119.5	3.54 90	4.07 103.5	4.07 103.5	1°15'
1590WCFB	1590WCFBK	inch mm	4.72 120	3.70 94	2.07 52.5	4.09 104	3.07 78	2°
1590WQFB	1590WQFBK	inch mm	4.72 120	4.72 120	1.18 30	4.09 104	4.09 104	1°15'
1590WTFB	1590WTFBK	inch mm	4.74 120.5	3.13 79.5	2.17 55	4.11 104.5	2.50 63.5	1°15'
1590WN1FB	1590WN1FBK	inch mm	4.77 121.1	2.60 66	1.39 35.3	4.09 103.8	1.92 48.7	1°15'
1590WKKFB	1590WKKFBK	inch mm	4.92 125	4.92 125	2.10 53	4.13 105	4.13 105	1°15'
1590WKFB	1590WKFBK	inch mm	4.92 125	4.92 125	2.95 75	4.27 108.5	4.27 108.5	1°15'
1590WJFB	1590WJFBK	inch mm	5.71 145	3.74 95	1.77 45	5.06 128.5	3.09 78.5	2°
1590WP1FB	1590WP1FBK	inch mm	6.01 153	3.24 82	1.81 46	5.38 137	2.48 63	2°
1590WDDFB	1590WDDFBK	inch mm	7.38 187.5	4.70 119.5	1.30 33	6.77 172	4.07 103.5	1°15'
1590WDFB	1590WDFBK	inch mm	7.38 187.5	4.70 119.5	2.05 52	6.75 171.5	4.07 103.5	2°
1590WEFB	1590WEFBK	inch mm	7.38 187.5	4.70 119.5	3.07 78	6.75 171.5	4.07 103.5	2°
1590WFFB	1590WFFBK	inch mm	7.38 187.5	7.38 187.5	2.48 63	6.75 171.5	6.75 171.5	2°
1590WR1FB	1590WR1FBK	inch mm	7.55 192	4.38 111	2.24 57	6.92 176	3.76 95.4	2°

Notes: Assembled height = dimension "C" + .16" (4.0 mm). Wall & lid thickness is roughly .08" (2 mm) and varies with draft due to part being cast. Posts "X" exist on parts 1590D, 1590DD & 1590E. Posts "X" & "Y" exist on part 1590F. For detailed drawings, CAD files or color photos visit our website at: www.hammondmg.com



CANADA
Guelph, Ontario (519) 822-2960
St. Laurent, Quebec (514) 343-9010
USA
Cheektowaga, NY (716) 651-0086

www.hammondmg.com

EUROPE
Basingstoke, UK +44 1256 812812

AUSTRALASIA
Queenstown, SA, Australia +61 8 8240 2244

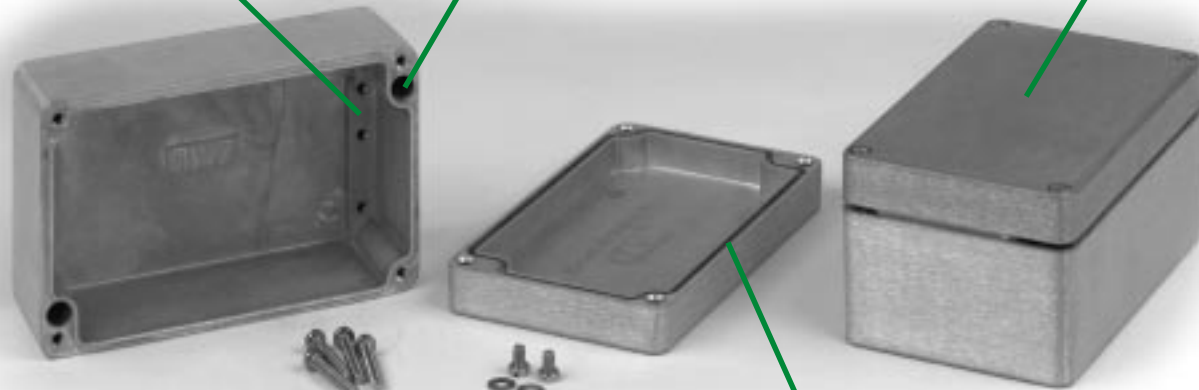
Watertight, heavy duty - thick wall (1590Z Series)

With Mounting Shelf

Mounting shelf

Easy wall mounting via "through box - blind hole" construction, outside of gasket protection...

Natural aluminum with a smooth brushed finish...



Stainless steel captivated machine screws ...

Copper ground screws & washers...

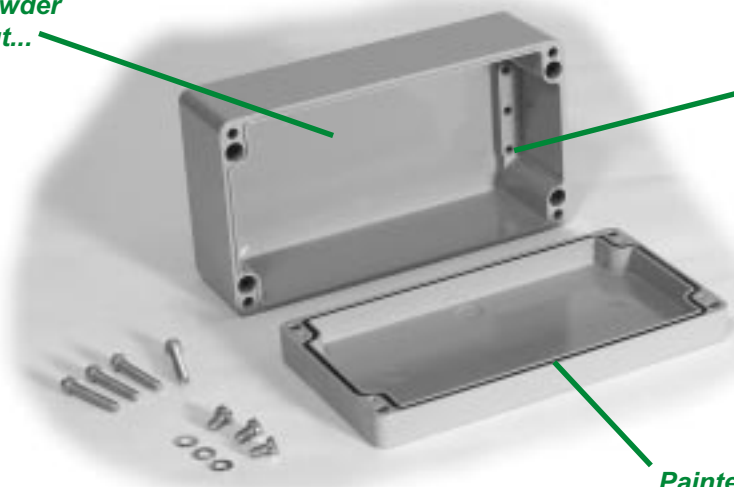
Molded, one piece silicone rubber gasket mounts into cast lid groove, compressed by box tongue...

KEY FEATURES

- Rugged, diecast aluminum alloy (tough yet easy to machine), electronic instrument enclosure.
- "Tongue & groove" construction to provide protection against access of dust and water. Ideal for repetitive opening and closing.
- Unpainted version comes with an installed preformed silicone rubber gasket.
- Painted versions have a poured in silicone rubber gasket.
- Four recessed stainless steel machine screws secure lid into tapped holes. Screws are self capturing.
- Designed to meet IP65.
- North American Mark of Safety - cUL & UL listed. Certified to Nema 4X standards (UL508) - File #E65324.
- Painted version is designed for outdoor applications, painted inside and out with a tough polyester powder paint. Choice of grey (RAL 7001) or black.

Painted versions are powder painted inside and out...

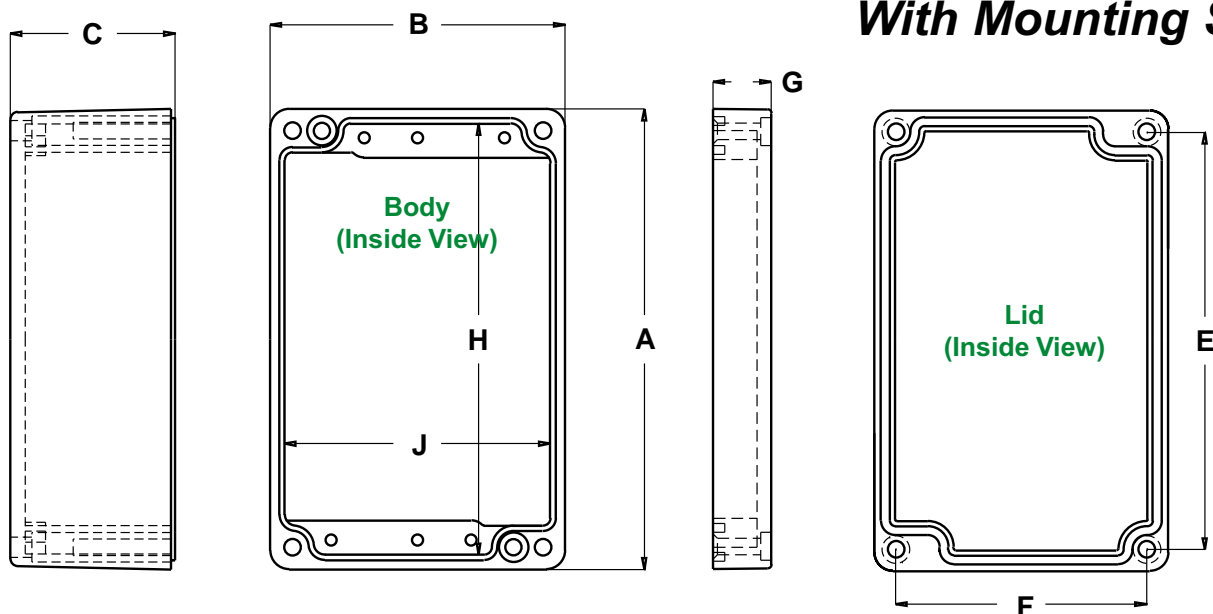
Ground points are left unpainted...



Painted versions include a poured in silicone rubber gasket...



Watertight, heavy duty - thick wall (1590Z Series)



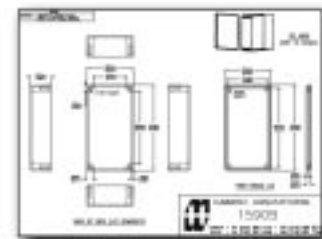
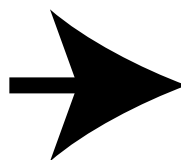
With Mounting Shelf

With Mounting Shelf

Part Number			Units	Dimensions								Lid Grounding Screw	Mounting Shelf
Unpainted	Black	Grey		A	B	C (No Lid)	E	F	G	H	J		
1590Z100	1590Z100BK	1590Z100GY	inch mm	2.94 75	3.14 80	1.57 40	2.49 63	2.68 68	.47 12	2.64 67	2.84 72	No	Yes
1590Z119	1590Z119BK	1590Z119GY	inch mm	4.80 122	4.72 120	2.36 60	4.14 105	4.09 104	.80 20	4.45 113	4.36 111	Yes	Yes
1590Z120	1590Z120BK	1590Z120GY	inch mm	4.92 125	3.15 80	1.72 43	4.46 113	2.68 68	.62 15	4.61 117	2.84 72	No	Yes
1590Z160	1590Z160BK	1590Z160GY	inch mm	6.30 160	6.30 160	2.76 70	5.55 141	5.55 141	.79 20	5.98 152	5.98 152	Yes	Yes
1590Z231	1590Z231BK	1590Z231GY	inch mm	7.88 200	9.05 230	3.63 92	7.10 180	8.28 210	.80 20	7.62 194	8.45 215	Yes	Yes
1590Z150	1590Z150BK	1590Z150GY	inch mm	8.70 220	4.76 120	2.39 60	8.07 205	4.09 104	.79 20	8.31 211	4.37 111	No	Yes
1590Z162	1590Z162BK	1590Z162GY	inch mm	10.24 260	6.25 159	2.75 70	9.38 238	5.50 140	.79 20	9.83 249	5.94 151	Yes	Yes
1590Z166	1590Z166BK	1590Z166GY	inch mm	14.17 360	6.30 160	2.76 70	13.38 340	4.34 110	.79 20	13.7 349	5.87 149	Yes	Yes

Sealed Diecast

For detailed drawings, CAD files or color photos visit our website at:
www.hammondmg.com



CANADA
Guelph, Ontario (519) 822-2960
St. Laurent, Quebec (514) 343-9010
USA
Cheektowaga, NY (716) 651-0086

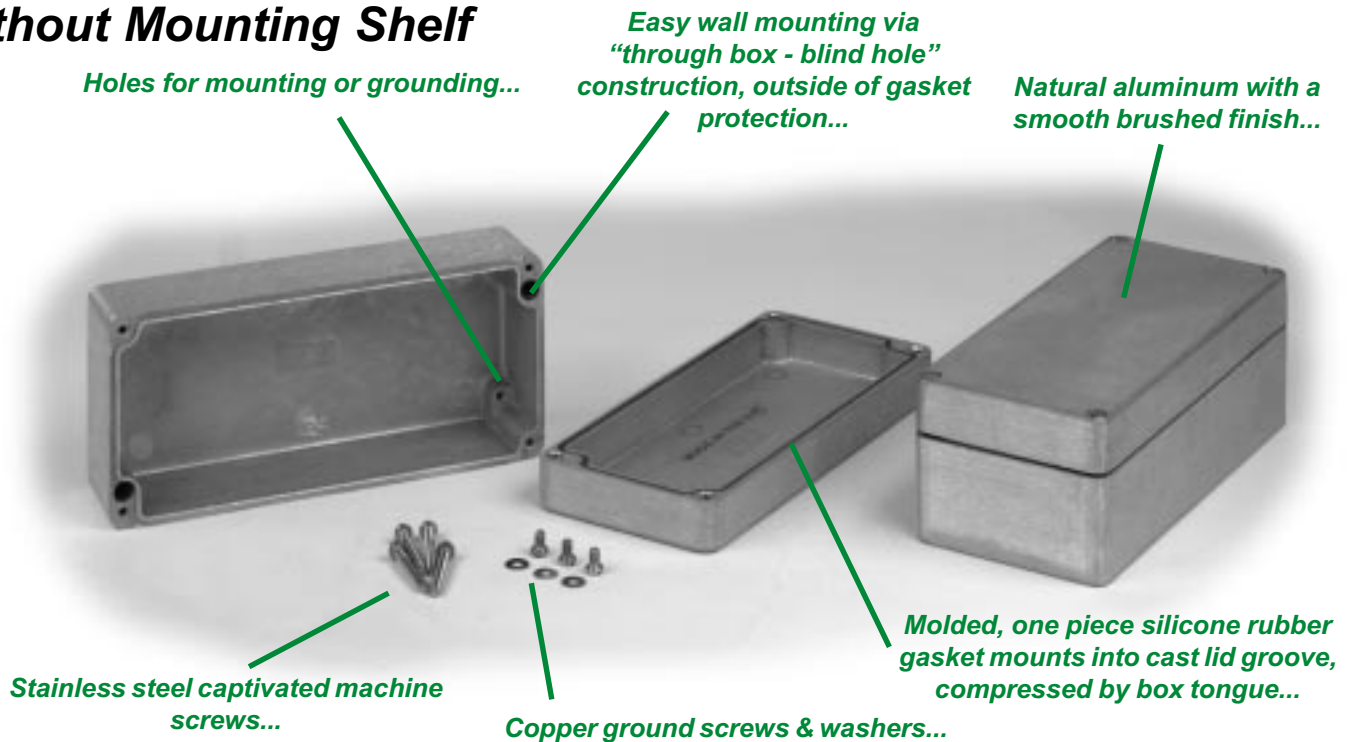
www.hammondmg.com

EUROPE
Basingstoke, UK +44 1256 812812

AUSTRALASIA
Queenstown, SA, Australia +61 8 8240 2244

Watertight, heavy duty - thick wall (1590Z Series)

Without Mounting Shelf

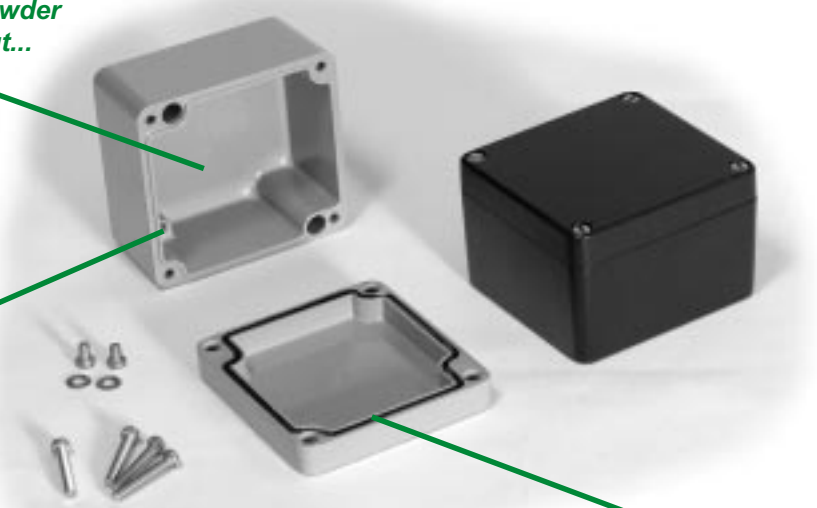


KEY FEATURES

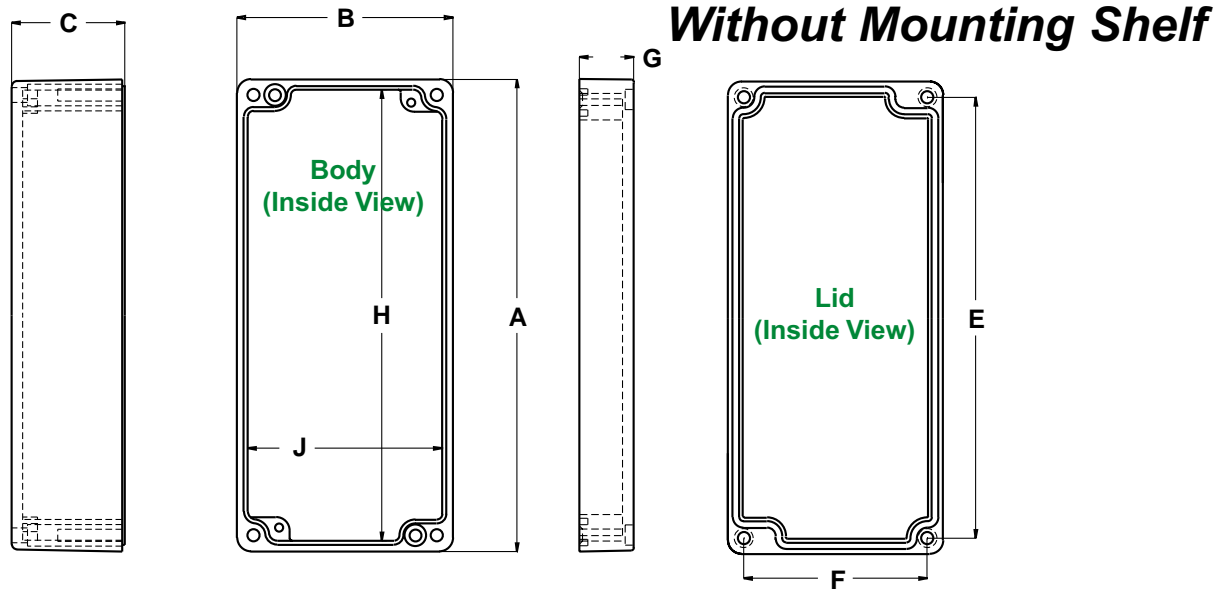
- Rugged, diecast aluminum alloy (tough yet easy to machine), electronic instrument enclosure.
- "Tongue & groove" construction provides protection against access of dust and water. Ideal for repetitive opening and closing.
- Unpainted version comes with an installed preformed silicone rubber gasket.
- Painted versions have a poured in silicone rubber gasket.
- Four recessed stainless steel machine screws secure lid into tapped holes. Screws are self captivated.
- Designed to meet IP65.
- North American Mark of Safety - cUL & UL listed. Certified to Nema 4X standards (UL508) - File #E65324.
- Painted version is designed for outdoor applications, painted inside and out with a tough polyester powder paint. Choice of grey (RAL 7001) or black

Painted versions are powder painted inside and out...

Ground points are left unpainted...



Watertight, heavy duty - thick wall (1590Z Series)

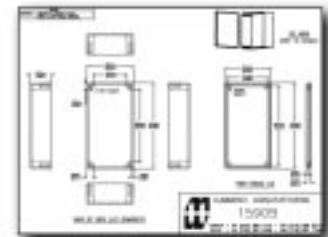
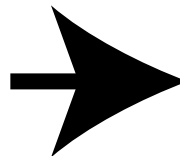


Without Mounting Shelf

Part Number			Units	Dimensions								Lid Grounding Screw	Mounting Shelf
Unpainted	Black	Grey		A	B	C (No Lid)	E	F	G	H	J		
1590Z060	1590Z060BK	1590Z060GY	inch mm	1.98 50	1.77 45	.95 24	1.62 41	1.44 37	.24 6	1.77 45	1.57 40	Yes	No
1590Z061	1590Z061BK	1590Z061GY	inch mm	2.51 64	2.29 58	1.03 26	2.04 52	1.80 46	.39 10	2.21 56	1.97 50	No	No
1590Z110	1590Z110BK	1590Z110GY	inch mm	2.94 75	3.14 80	1.57 40	2.49 63	2.68 68	.47 12	2.64 67	2.84 72	No	No
1590Z062	1590Z062BK	1590Z062GY	inch mm	3.86 98	2.52 64	1.03 26	3.40 86	2.00 52	.39 10	3.50 90	2.20 56	No	No
1590Z063	1590Z063BK	1590Z063GY	inch mm	5.89 150	2.51 64	1.03 26	5.42 138	2.02 51	.39 10	5.60 142	2.20 56	No	No
1590Z130	1590Z130BK	1590Z130GY	inch mm	6.89 175	3.15 80	1.61 40	6.43 163	2.68 68	.47 12	6.56 167	2.84 72	No	No
1590Z135	1590Z135BK	1590Z135GY	inch mm	6.89 175	3.15 80	1.61 40	6.43 163	2.68 68	.79 20	6.56 167	2.84 72	Yes	No

Sealed Diecast

For detailed drawings, CAD files or color photos visit our website at:
www.hammondmg.com



CANADA
Guelph, Ontario (519) 822-2960
St. Laurent, Quebec (514) 343-9010
USA
Cheektowaga, NY (716) 651-0086

www.hammondmg.com

EUROPE
Basingstoke, UK +44 1256 812812

AUSTRALASIA
Queenstown, SA, Australia +61 8 8240 2244



Metal



Metal

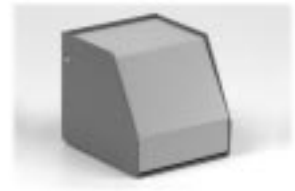
Contents - Metal Instrument



Rack Mount Case
Pages 74-75



Extruded Aluminum
Pages 82-85



Steep Slope Consoles
Page 94



Instrument Case
Pages 76-77



Instrument Case
Page 86



Utility
Page 95



Instrument Case
Page 78



Heavy Duty Instrument Case
Page 87



Steel Utility
Pages 96



Instrument Case
Page 79



Aluminum Instrument Case
Page 88



Steel Chassis
Pages 97 & 99



Instrument Case
Page 80



Sloped Consoles
Pages 89-92



Aluminum Chassis
Pages 98-99



Instrument Case
Page 81



Heavy Duty Case
Page 93

Metal



CANADA
Guelph, Ontario (519) 822-2960
St. Laurent, Quebec (514) 343-9010
USA
Cheektowaga, NY (716) 651-0086

www.hammondmfg.com

EUROPE
Basingstoke, UK +44 1256 812812
AUSTRALASIA
Queenstown, SA, Australia +61 8 8240 2244

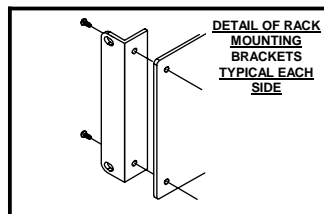
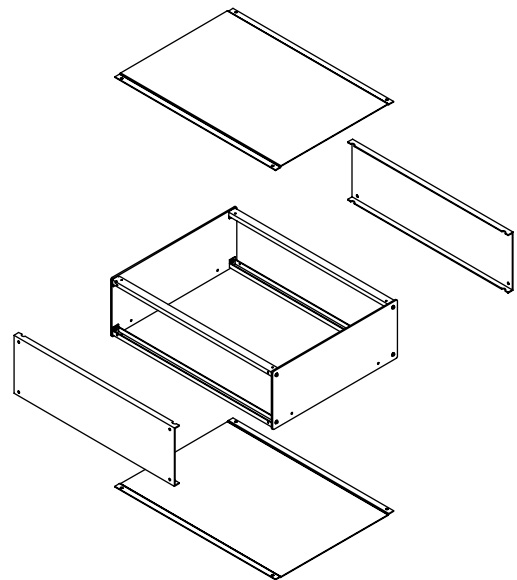
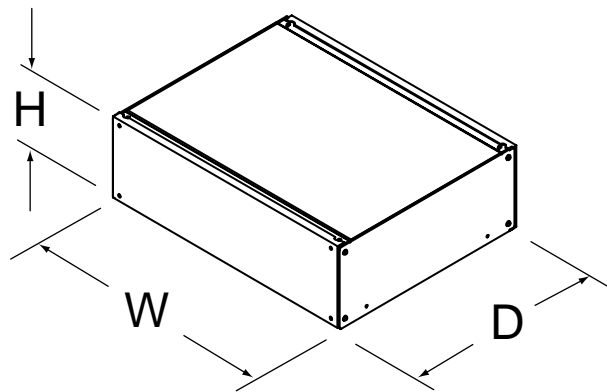
Rack Mount Instrument (RMCS & RMCV Series)



KEY FEATURES

- Perfect for rack mount or table top applications or both!
- Shipped knocked down to avoid shipping damage.
- Uses all PEM nut construction, perfect for applications where repetitive assembly and disassembly are required.
- Strong construction using folded .062" (1.58 mm) top, bottom, front & back panels and .125" (3.18 mm) side panels and horizontal support bars.
- Light weight design by using aluminum panels.
- .125" (3.18 mm) side panels and horizontal support bars.
- Can be used with or without rack mounting brackets (included).
- Front and rear panels are interchangeable (one is off white, the other is smooth black) powder paint.
- Enclosure is finished in rugged textured black powder paint.
- Includes top, bottom, sides, feet, rackmount brackets and all hardware.
- Easy access to inside, as only 4 screws need to be removed from any of the 6 panels.
- Aluminum chassis panel is optional.
- Available in both 19" rack mount and half width.
- Available in both vented and unvented versions.

Metal



Rack Mount Instrument (RMCS & RMCV Series)

19" RACK MOUNT (SOLID TOP & BOTTOM)

Part Number	H Height (In.)	H Height (Units)	W Width (In.)	D Depth (In.)	Accepts Pull Handle	Optional Chassis Panel	Inside Clearance with Chassis Panel Installed	Spare Front Panel	Spare Rear Panel
RMCS19018BK1	1.75	1	17	8	No	RMP1908	0.81"	RMCP1CG	RMCP1BK
RMCS190113BK1	1.75	1	17	13	No	RMP1913	0.81"	RMCP1CG	RMCP1BK
RMCS19038BK1	3.50	2	17	8	1427P	RMP1908	2.56"	RMCP3CG	RMCP3BK
RMCS190313BK1	3.50	2	17	13	1427P	RMP1913	2.56"	RMCP3CG	RMCP3BK
RMCS190513BK1	5.25	3	17	13	1427N	RMP1913	4.31"	RMCP5CG	RMCP5BK
RMCS190713BK1	7.00	4	17	13	1427M	RMP1913	6.06"	RMCP7CG	RMCP7BK
RMCS190813BK1	8.75	5	17	13	1427M	RMP1913	7.81"	RMCP8CG	RMCP8BK
RMCS191013BK1	10.50	6	17	13	1427L	RMP1913	9.56"	RMCP10CG	RMCP10BK
RMCS191015BK1	10.50	6	17	15	1427L	RMP1915	9.56"	RMCP10CG	RMCP10BK

19" RACK MOUNT (VENTILATED TOP & BOTTOM)

Part Number	H Height (In.)	H Height (Units)	W Width (In.)	D Depth (In.)	Accepts Pull Handle	Optional Chassis Panel	Inside Clearance with Chassis Panel Installed	Spare Front Panel	Spare Rear Panel
RMCV19018BK1	1.75	1	17	8	No	RMP1908	0.81"	RMCP1CG	RMCP1BK
RMCV190113BK1	1.75	1	17	13	No	RMP1913	0.81"	RMCP1CG	RMCP1BK
RMCV19038BK1	3.50	2	17	8	1427P	RMP1908	2.56"	RMCP3CG	RMCP3BK
RMCV190313BK1	3.50	2	17	13	1427P	RMP1913	2.56"	RMCP3CG	RMCP3BK
RMCV190513BK1	5.25	3	17	13	1427N	RMP1913	4.31"	RMCP5CG	RMCP5BK
RMCV190713BK1	7.00	4	17	13	1427M	RMP1913	6.06"	RMCP7CG	RMCP7BK
RMCV190813BK1	8.75	5	17	13	1427M	RMP1913	7.81"	RMCP8CG	RMCP8BK
RMCV191013BK1	10.50	6	17	13	1427L	RMP1913	9.56"	RMCP10CG	RMCP10BK
RMCV191015BK1	10.50	6	17	15	1427L	RMP1915	9.56"	RMCP10CG	RMCP10BK

HALF WIDTH - RACK MOUNT (SOLID TOP & BOTTOM)

Part Number	H Height (In.)	H Height (Units)	W Width (In.)	D Depth (In.)	Accepts Pull Handle	Optional Chassis Panel	Inside Clearance with Chassis Panel Installed
RMCS9018BK1	1.75	1	8.5	8	No	RMP908	0.81"
RMCS9038BK1	3.50	2	8.5	8	1427P	RMP908	2.56"
RMCS9058BK1	5.25	3	8.5	8	1427P	RMP908	4.31"

HALF WIDTH - RACK MOUNT (VENTILATED TOP & BOTTOM)

Part Number	H Height (In.)	H Height (Units)	W Width (In.)	D Depth (In.)	Accepts Pull Handle	Optional Chassis Panel	Inside Clearance with Chassis Panel Installed
RMCV9018BK1	1.75	1	8.5	8	No	RMP908	0.81"
RMCV9038BK1	3.50	2	8.5	8	1427P	RMP908	2.56"
RMCV9058BK1	5.25	3	8.5	8	1427P	RMP908	4.31"



CHASSIS PANELS

- Holes provided for bottom mounting.
- Panel is aluminum with an alodine finish.

Metal



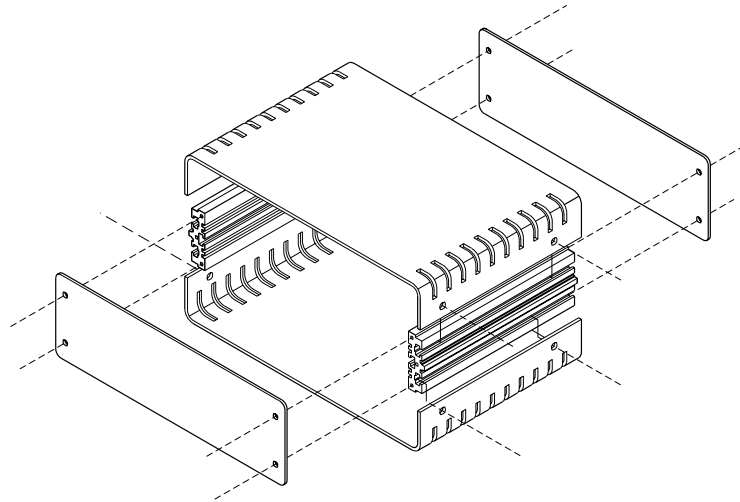
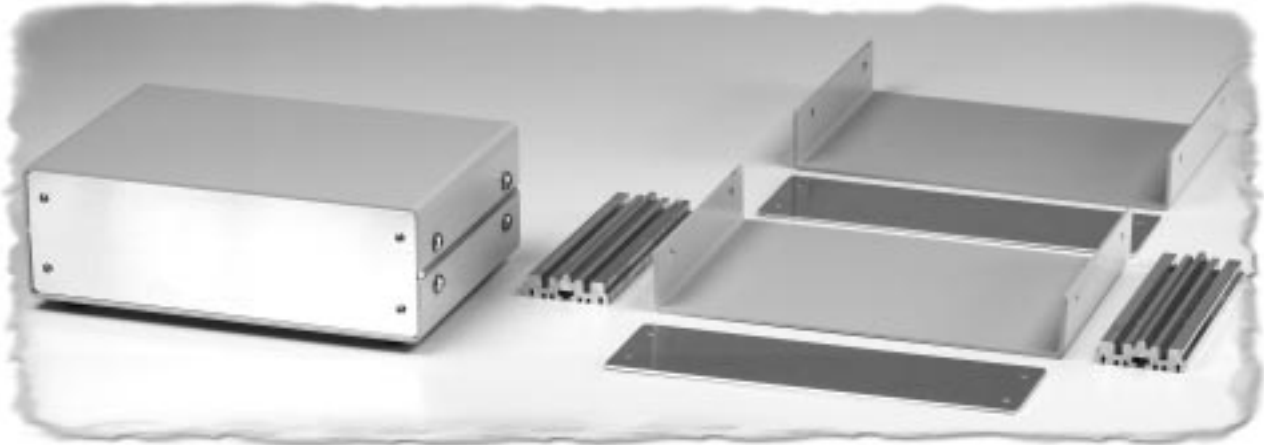
CANADA
Guelph, Ontario (519) 822-2960
St. Laurent, Quebec (514) 343-9010
USA
Cheektowaga, NY (716) 651-0086

www.hammondmfg.com

EUROPE
Basingstoke, UK +44 1256 812812

AUSTRALASIA
Queenstown, SA, Australia +61 8 8240 2244

Instrument Case (1402 Series)



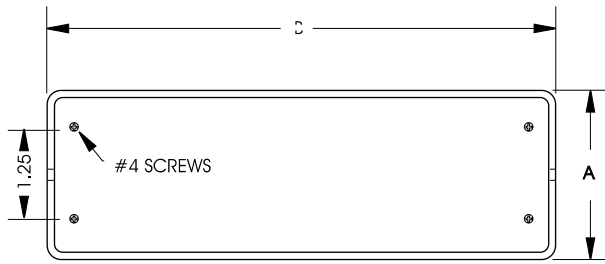
KEY FEATURES

- Top and bottom made from 12 gauge aluminum finished in contemporanea grey powder paint.
- Top and bottom are attached to an internal aluminum extrusion which contains mounting slots for printed circuit boards or panels.
- Front and rear panels are natural aluminum (paper coated one side) which are attached with screws to the aluminum mounting extrusion.
- Panels can be easily removed for access to components.
- Tops and bottoms are available in solid or with vent slots.
- All hardware and self-adhesive rubber feet are included.

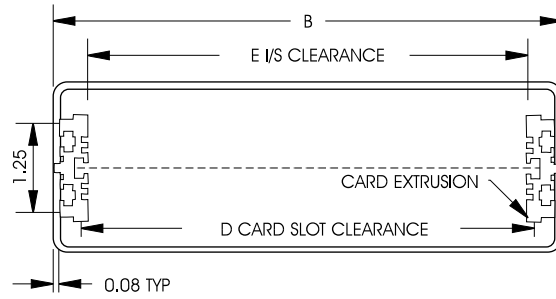
Metal

Part Number		Units	Dimensions							Fits Eurocard Sizes
Solid Top and Base	Vented Top and Base		A	B	C	D	E	F	G	
1402B	1402BV	inch mm	2.4 60	7.1 181	4.9 112	6.34 161	6.16 156.5	3.93 99.82	10	160 x 100
1402D	1402DV	inch mm	2.4 60	7.1 181	7.3 185	6.34 161	6.16 156.5	5.68 144.27	14	160 x 160
1402F	1402FV	inch mm	3.1 80	7.1 181	10.3 261	6.34 161	6.16 156.5	9.18 233.2	22	160 x 234
1402H	1402HV	inch mm	3.9 99	10.0 254	7.3 185	9.25 235	9.07 230.4	5.68 144.3	14	234 x 160
1402K	1402KV	inch mm	3.9 99	10.0 254	9.6 244	9.25 235	9.07 230.4	8.30 210.8	20	234 x 220

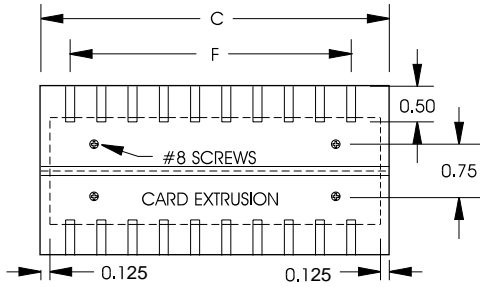
Instrument Case (1402 Series)



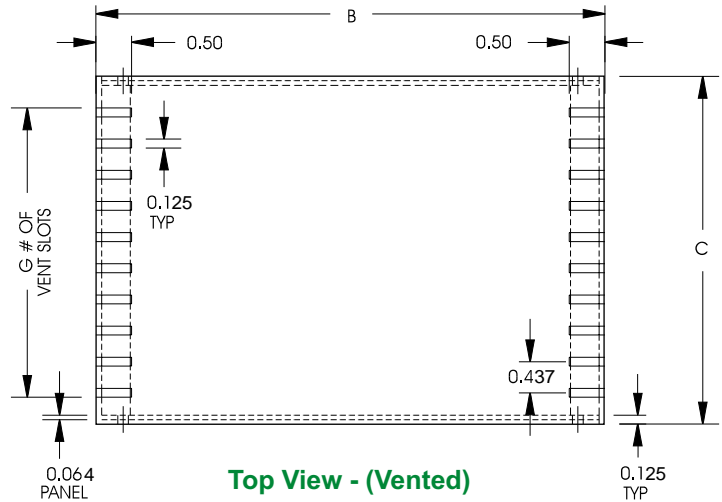
Front View - Panel Mounted



Front View - Panel Removed

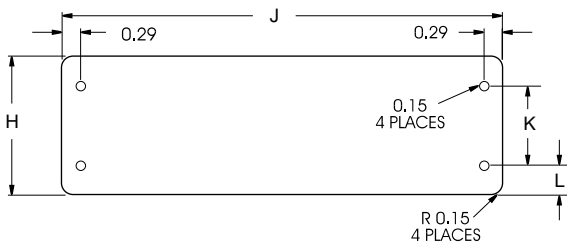


Side View (Vented)



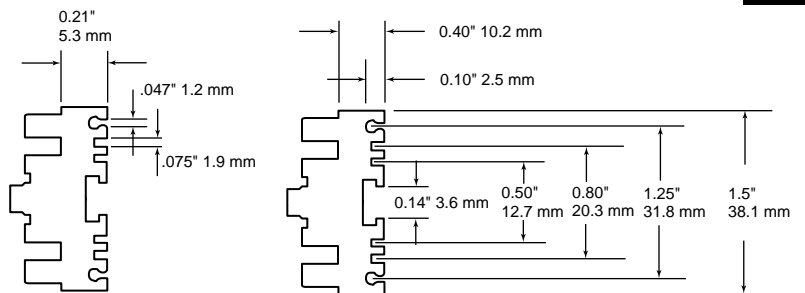
Top View - (Vented)

Front & Rear Panel Detail



Panel for:	Units	Dimensions			
		H	J	K	L
1402B	inch	2.19	6.95	1.25	.468
	mm	55.63	176.53	31.75	11.89
1402D	inch	2.19	6.95	1.25	.468
	mm	55.63	176.53	31.75	11.89
1402F	inch	2.94	6.95	1.25	.843
	mm	74.68	176.53	31.75	21.4
1402H	inch	3.69	9.86	1.25	1.22
	mm	93.73	250.44	31.75	30.99
1402K	inch	3.69	9.86	1.25	1.22
	mm	93.73	250.44	31.75	30.99

Right & Left Side Extrusion Detail



Metal



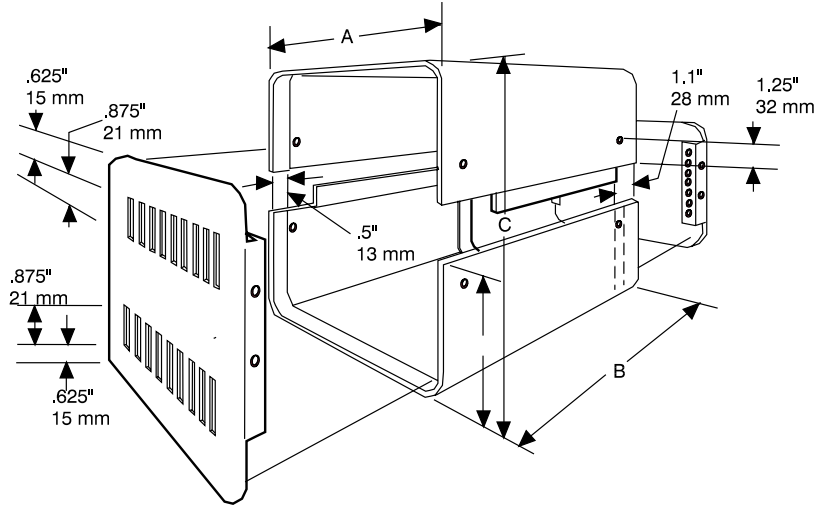
CANADA
Guelph, Ontario (519) 822-2960
St. Laurent, Quebec (514) 343-9010
USA
Cheektowaga, NY (716) 651-0086



EUROPE
Basingstoke, UK +44 1256 812812

AUSTRALASIA
Queenstown, SA, Australia +61 8 8240 2244

Instrument Case (1401 Series)



KEY FEATURES

- 18 gauge steel top & bottom halves finished in contemporanea grey powder paint.
- 0.064" (1.6 mm) thick aluminum panels, front finished in satin black and vented back finished in contemporanea grey powder paint.
- Rear panel is vented top and bottom.
- 6-32 Philips nickel plated screws and self-adhesive rubber feet included.
- Replacement screws **1421J6** (Pkg. of 6, 6-32 Philips head screws).

Metal

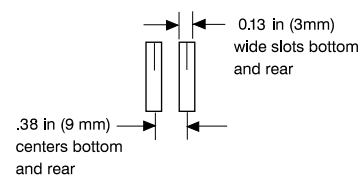
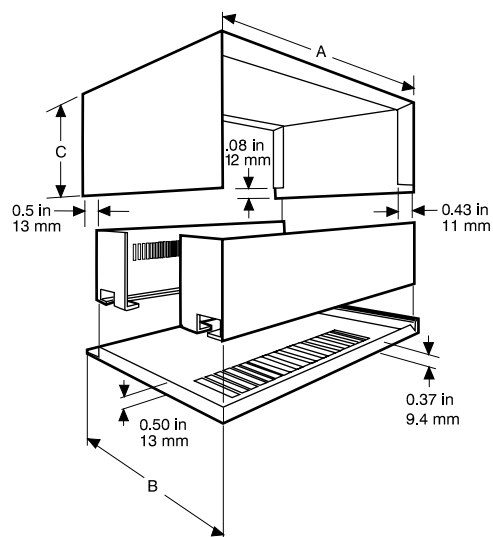
Part Number	Units	Dimensions		
		A	B	C
1401AAA	inch mm	4 101	6 152	4 101
1401AA	inch mm	6 152	6 152	5 127
1401A	inch mm	6 152	10 254	5 127
1401C	inch mm	8 203	10 254	9 229
1401E	inch mm	8 203	8 203	8 203
1401G	inch mm	10 254	12 305	9 229
1401K	inch mm	10 254	14 356	6.5 165
1401M	inch mm	12 305	8 203	9 229
1401N	inch mm	14 356	8 203	9 229
1401P	inch mm	14 356	10 254	5 127

Instrument Case (1426 Series)



KEY FEATURES

- Top and bottom made in 20 gauge steel (for strength) finished in contempra grey or satin gulf blue powder paint.
- Easy to machine 0.064" (1.6 mm) thick aluminum panels front and rear.
- Rear panel and bottom of enclosure is vented.
- Front panel is satin black powder paint, rear panel matches case color.
- 6-32 Philips nickel plated screws and self-adhesive rubber feet included.
- Replacement screws **1421J6** (Pkg. of 6, 6-32 Philips head screws).



Part Number		Units	Dimensions		
Off White	Satin Blue		A	B	C
1426K	1426K-B	inch mm	6 152	5 127	4 102
1426M	1426M-B	inch mm	8 203	6 152	4 102
1426O	1426O-B	inch mm	10 254	7 178	4 102
1426Q	1426Q-B	inch mm	11 279	11.7 297	5.5 140
1426S	1426S-B	inch mm	12 305	6 152	4 102
1426Y	1426Y-B	inch mm	12 305	6 152	5.5 140
1426V	1426V-B	inch mm	12 305	8 203	4 102
1426W	1426W-B	inch mm	12 305	10 254	4 102

Metal



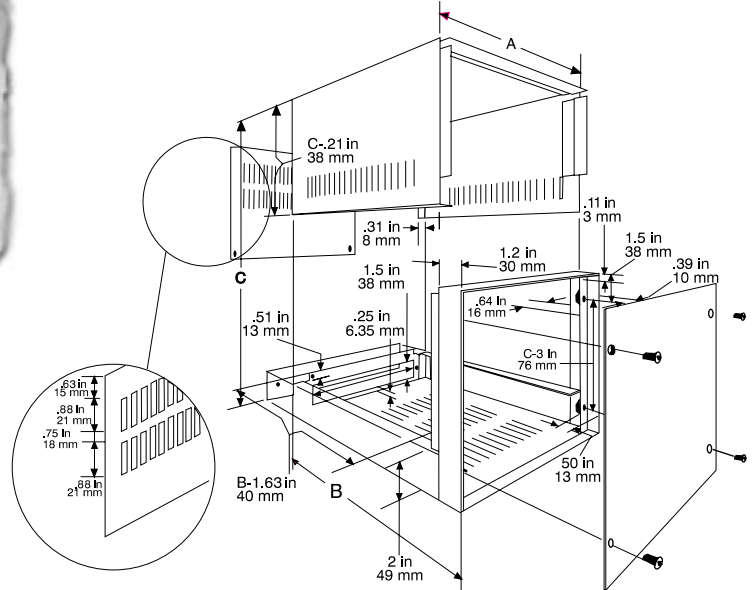
CANADA
Guelph, Ontario (519) 822-2960
St. Laurent, Quebec (514) 343-9010
USA
Cheektowaga, NY (716) 651-0086

www.hammondmfg.com

EUROPE
Basingstoke, UK +44 1256 812812

AUSTRALASIA
Queenstown, SA, Australia +61 8 8240 2244

Instrument Case (1452 Series)



KEY FEATURES

- 20 gauge steel cover and 18 gauge base and frame (for strength) finished in contempra grey powder paint.
- Easy to machine .064" (1.6 mm) thick aluminum panel painted satin black one side only.
- Philips nickel plated screws and self-adhesive rubber feet included.
- Replacement screws **1421J6** (Pkg. of 6, 6-32 Philips head screws).

Metal

Part Number	Units	Dimensions		
		A	B	C
1452DE11	inch mm	7.5 191	10.9 277	8.5 216
1452FF13	inch mm	9.5 241	12.9 328	9.5 241
1452FH17	inch mm	9.5 241	16.9 429	11.5 292
1452GC6	inch mm	10.5 267	5.9 150	6.5 165
1452HD7	inch mm	11.5 292	6.9 175	7.5 191
1452KE9	inch mm	13.5 343	8.9 226	8.5 216
1452PG9	inch mm	17.5 445	8.9 226	10.5 267

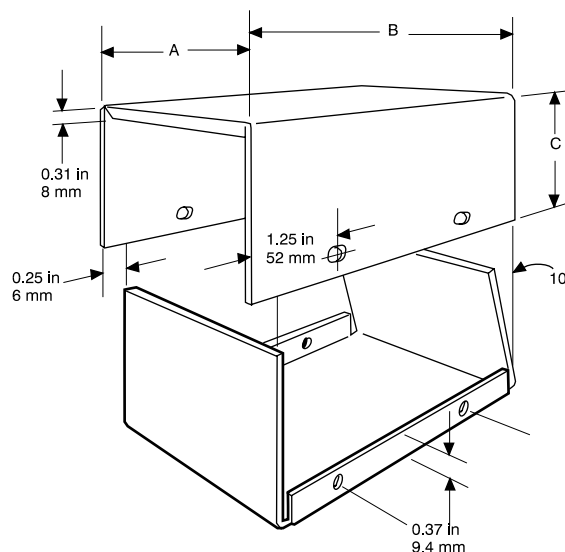
Instrument Case (1454 Series)



KEY FEATURES

Part Number	Units	Dimensions		
		A	B	C
1454C	inch mm	4 102	2.5 64	2 51
1454J	inch mm	4 102	3 76	4 102
1454M	inch mm	4 102	3 76	6 152
1454E	inch mm	4 102	5 127	2 51
1454F	inch mm	4 102	6 152	3 76
1454R	inch mm	5 127	5 127	7.5 191
1454L	inch mm	5 127	6 152	4 102
1454H	inch mm	5 127	7.5 191	2.5 64
1454D	inch mm	5.875 149	4 102	2.125 54
1454DD	inch mm	5.875 149	5.187 132	2.75 70
1454G	inch mm	6 152	2.5 64	2 51
1454K	inch mm	8 203	3.5 89	2.5 64
1454N	inch mm	8 203	6 203	3 76
1454P	inch mm	10 254	5 127	3.5 89
1454S	inch mm	10 254	6 203	3 76
1454W	inch mm	12 305	8 203	3 76

- Made of strong, economical 20 gauge steel.
- Contempra grey panels with textured black covers (powder paint).
- Choice of sloping or vertical front panels by reversing case.
- 6-32 Philips nickel plated screws and self-adhesive rubber feet included.
- Replacement screws **1421J6** (Pkg. of 6, 6-32 Philips head screws).



Notes: - Models with "B" dimension less than 5" (127 mm) have only one hole per side, centered in "B".

Metal



CANADA
Guelph, Ontario (519) 822-2960
St. Laurent, Quebec (514) 343-9010
USA
Cheektowaga, NY (716) 651-0086

www.hammondmfg.com

EUROPE
Basingstoke, UK +44 1256 812812

AUSTRALASIA
Queenstown, SA, Australia +61 8 8240 2244

Extruded With Metal End Plates (1455 Series)



Clear Anodized Version
(Open View)



Black Anodized Version
(Assembled View)

KEY FEATURES

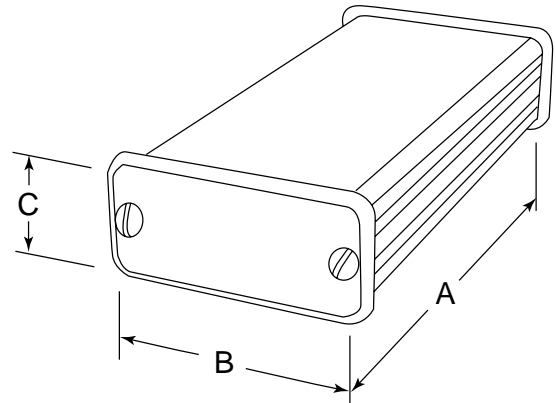
- Designed to house P.C. boards or for equipment interfacing.
- P.C. boards mount horizontally by sliding into internal slots extruded into the enclosure body.
- Visit our web site for drawings of these extrusions for complete detail by part number.
- Rugged body constructed from extruded aluminum with a minimum thickness of .06" (1.5 mm).
- Extruded body includes a sliding removable "belly" plate - except in the smaller "C" sizes (ie: 1455C801 & 1455C1201)
- Available in a clear or black anodized finish.
- Includes two aluminum end panels (matched to aluminum body finish) and two black plastic bezels. These plastic bezels can be optionally installed to create a modern look.
- Hardware and self-adhesive rubber feet included.
- Replacement screws for clear anodized version - **1455MS100** - Package of 100
- Replacement screws for black anodized version - **1455MS100BK** - Package of 100



Metal

Extruded With Metal End Plates (1455 Series)

Part Number		Units	Dimensions		
Clear Anodized	Black Anodized		A	B	C
1455C801	1455C801BK	inch mm	3.15 80	2.125 54	0.91 23
1455C1201	1455C1201BK	inch mm	4.72 120	2.125 54	0.91 23
1455J1201	1455J1201BK	inch mm	4.72 120	3.07 78	1.06 27
1455K1201	1455K1201BK	inch mm	4.72 120	3.07 78	1.69 43
1455L1201	1455L1201BK	inch mm	4.72 120	4.06 103	1.20 30.5
1455N1201	1455N1201BK	inch mm	4.72 120	4.06 103	2.09 53
1455J1601	1455J1601BK	inch mm	6.30 160	3.07 78	1.06 27
1455K1601	1455K1601BK	inch mm	6.30 160	3.07 78	1.69 43
1455L1601	1455L1601BK	inch mm	6.30 160	4.06 103	1.20 30.5
1455N1601	1455N1601BK	inch mm	6.30 160	4.06 103	2.09 53
1455R1601	1455R1601BK	inch mm	6.30 160	6.30 160	1.20 30.5
1455T1601	1455T1601BK	inch mm	6.30 160	6.30 160	2.10 51.5
1455L2201	1455L2201BK	inch mm	8.66 220	4.06 103	1.20 30.5
1455N2201	1455N2201BK	inch mm	8.66 220	4.06 103	2.09 53
1455R2201	1455R2201BK	inch mm	8.66 220	6.30 160	1.20 30.5
1455T2201	1455T2201BK	inch mm	8.66 220	6.30 160	2.10 51.5



Accessory Flange Kits



- Designed to convert the enclosures where shelf or wall mounting is required.
- Flanges are .064" (1.6mm) thick aluminum foot "L" brackets and attach to each end, replacing the plastic and/or aluminum end panels. Finish available in both clear & black to match enclosure.
- Sold in pairs.

Part Number		Use with Series	Units	Dimensions	
Clear Anodized	Black Anodized			Height	Width
1455CF	1455CFBK	1455C	inch mm	1.24 32	2.125 54
1455JF	1455JFBK	1455J	inch mm	1.39 35	3.07 78
1455KF	1455KFBK	1455K	inch mm	2.02 51	3.07 78
1455LF	1455LFBK	1455L	inch mm	1.53 39	4.06 103
1455NF	1455NFBK	1455N	inch mm	2.42 62	4.06 103
1455RF	1455RFBK	1455R	inch mm	1.53 39	6.30 160
1455TF	1455TFBK	1455T	inch mm	2.43 62	6.30 160

Metal



CANADA
Guelph, Ontario (519) 822-2960
St. Laurent, Quebec (514) 343-9010
USA
Cheektowaga, NY (716) 651-0086

www.hammondmfg.com

EUROPE
Basingstoke, UK +44 1256 812812

AUSTRALASIA
Queenstown, SA, Australia +61 8 8240 2244

Extruded With Plastic End Panels (1455 Series)



Clear Anodized Version
(Open View)



Black Anodized Version
(Assembled View)

KEY FEATURES

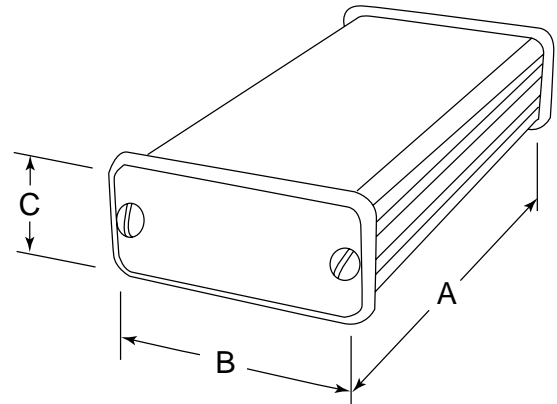
- Designed to house P.C. boards or for equipment interfacing.
- P.C. boards mount horizontally by sliding into internal slots extruded into the enclosure body.
- Visit our web site for drawings of these extrusions for complete detail by part number.
- Rugged body constructed from extruded aluminum with a minimum thickness of .06" (1.5 mm).
- Extruded body includes a sliding removable "belly" plate - except in the smaller "C" sizes (ie: 1455C802 & 1455C1202)
- Available in a clear or black anodized finish.
- Includes two easy to machine, black solid ABS plastic end panels. Panels are one piece with integral bezel.
- Hardware and self-adhesive rubber feet included.
- Replacement screws for clear anodized version - **1455MS100** - Package of 100
- Replacement screws for black anodized version - **1455MS100BK** - Package of 100



Metal

Extruded With Plastic End Panels (1455 Series)

Part Number		Units	Dimensions		
Clear Anodized	Black Anodized		A	B	C
1455C802	1455C802BK	inch mm	3.15 80	2.125 54	0.91 23
1455C1202	1455C1202BK	inch mm	4.72 120	2.125 54	0.91 23
1455J1202	1455J1202BK	inch mm	4.72 120	3.07 78	1.06 27
1455K1202	1455K1202BK	inch mm	4.72 120	3.07 78	1.69 43
1455L1202	1455L1202BK	inch mm	4.72 120	4.06 103	1.20 30.5
1455N1202	1455N1202BK	inch mm	4.72 120	4.06 103	2.09 53
1455J1602	1455J1602BK	inch mm	6.30 160	3.07 78	1.06 27
1455K1602	1455K1602BK	inch mm	6.30 160	3.07 78	1.69 43
1455L1602	1455L1602BK	inch mm	6.30 160	4.06 103	1.20 30.5
1455N1602	1455N1602BK	inch mm	6.30 160	4.06 103	2.09 53
1455R1602	1455R1602BK	inch mm	6.30 160	6.30 160	1.20 30.5
1455T1602	1455T1602BK	inch mm	6.30 160	6.30 160	2.10 51.5
1455L2202	1455L2202BK	inch mm	8.66 220	4.06 103	1.20 30.5
1455N2202	1455N2202BK	inch mm	8.66 220	4.06 103	2.09 53
1455R2202	1455R2202BK	inch mm	8.66 220	6.30 160	1.20 30.5
1455T2202	1455T2202BK	inch mm	8.66 220	6.30 160	2.10 51.5



Accessory Flange Kits



- Designed to convert the enclosures where shelf or wall mounting is required.
- Flanges are .064" (1.6mm) thick aluminum foot "L" brackets and attach to each end, replacing the plastic and/or aluminum end panels. Finish available in both clear & black to match enclosure.
- Sold in pairs.

Part Number		Use with Series	Units	Dimensions	
Clear Anodized	Black Anodized			Height	Width
1455CF	1455CFBK	1455C	inch mm	1.24 32	2.125 54
1455JF	1455JFBK	1455J	inch mm	1.39 35	3.07 78
1455KF	1455KFBK	1455K	inch mm	2.02 51	3.07 78
1455LF	1455LFBK	1455L	inch mm	1.53 39	4.06 103
1455NF	1455NFBK	1455N	inch mm	2.42 62	4.06 103
1455RF	1455RFBK	1455R	inch mm	1.53 39	6.30 160
1455TF	1455TFBK	1455T	inch mm	2.43 62	6.30 160

Metal



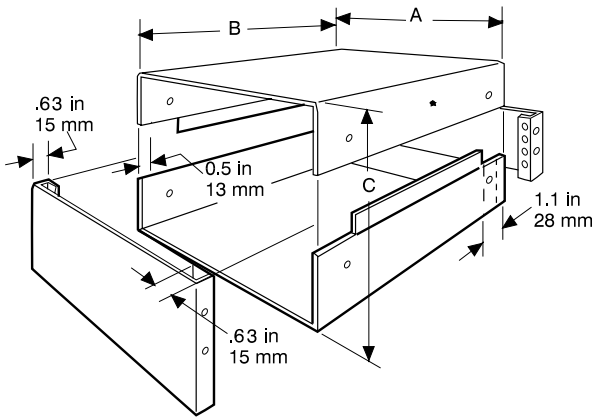
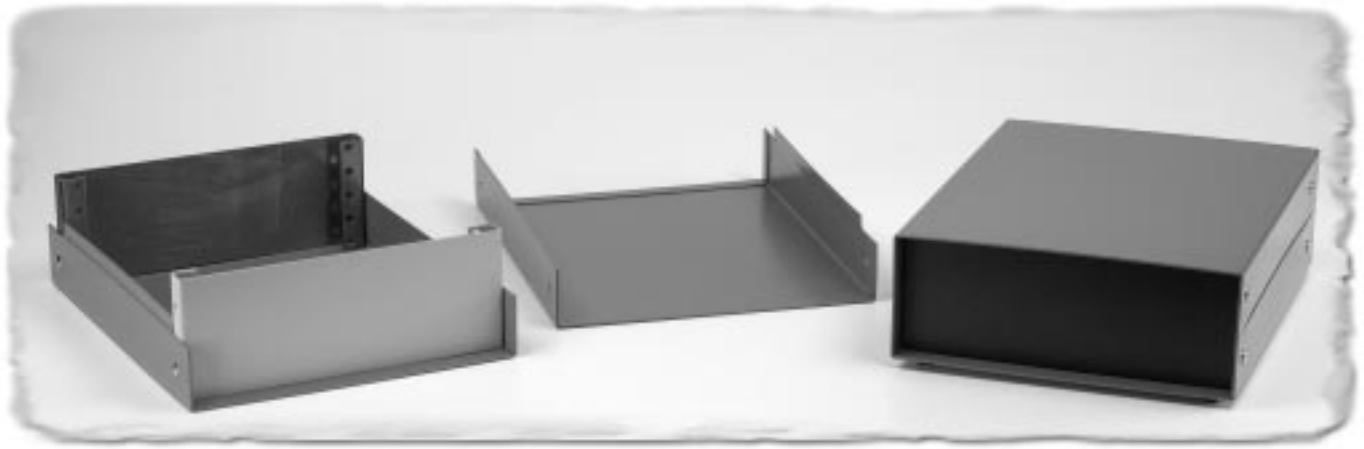
CANADA
Guelph, Ontario (519) 822-2960
St. Laurent, Quebec (514) 343-9010
USA
Cheektowaga, NY (716) 651-0086

www.hammondmfg.com

EUROPE
Basingstoke, UK +44 1256 812812

AUSTRALASIA
Queenstown, SA, Australia +61 8 8240 2244

Instrument Case (1458 Series)



KEY FEATURES

- 18 gauge steel case with black or gulf blue satin finish.
- Easy to machine 0.064" (1.6 mm) thick aluminum panels front and rear panels (one satin black and one contemporanea grey for each case).
- Symmetrical design - end panels are interchangeable.
- 6-32 Philips nickel plated screws and self-adhesive rubber feet included.
- Replacement screws **1421J6** (Pkg. of 6, 6-32 Philips head screws).

Part Number		Units	Dimensions		
Satin Black	Satin Blue		A	B	C
1458A3	1458A3B	inch mm	4 101	4 101	3 76.2
1458B4	1458B4B	inch mm	6 152	4 101	4 101
1458C3	1458C3B	inch mm	6 152	6 152	3 76.2
1458C4	1458C4B	inch mm	6 152	6 152	4 101
1458D3	1458D3B	inch mm	8 203	8 203	3 76.2
1458D4	1458D4B	inch mm	8 203	8 203	4 101
1458D5	1458D5B	inch mm	8 203	8 203	5 127
1458E3	1458E3B	inch mm	8 203	10 254	3 76.2
1458E4	1458E4B	inch mm	8 203	10 254	4 101
1458E5	1458E5B	inch mm	8 203	10 254	5 127
1458G3	1458G3B	inch mm	10 254	8 203	3 76.2
1458G4	1458G4B	inch mm	10 254	8 203	4 101
1458G5	1458G5B	inch mm	10 254	8 203	5 127

Metal

Heavy Duty Steel Instrument (1453 Series)



KEY FEATURES

- All steel, heavy duty construction designed to house heavy, heat producing items (example...power supplies).
- Bottom of unit is 16 gauge steel, top is 18 gauge steel.
- Finished in a rugged, contemptra grey, textured powder finish.
- Top half is of an upside down "U" shape design for easy removal, bottom half is also "U" shaped but includes a fold on all sides including front & back for extra strength and mounting of top case.
- Top case section is heavily ventilated for excellent air circulation with an attractive slant (also doubles as a lifting area - both front & back). Top lip extends 0.75" (19 mm) on both sides adding 1.5" (38 mm) to the total depth.
- Bottom is solid except for 4 holes for mounting heavy duty rubber feet.
- Includes nickel plated self-tapping screws and screw on 0.75" (19 mm) high, rubber feet (**1421T7**).

Part Number	Units	Dimensions		
		H	W	D
1453B	inch	6	6	9.5
	mm	152	152	241
1453C	inch	7	7	11
	mm	178	178	279
1453K	inch	10	9	18
	mm	254	229	457
1453N	inch	12	12	19
	mm	305	305	483

Metal



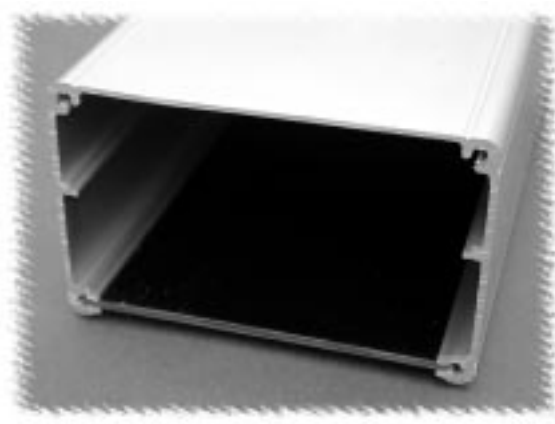
CANADA
Guelph, Ontario (519) 822-2960
St. Laurent, Quebec (514) 343-9010
USA
Cheektowaga, NY (716) 651-0086

www.hammondmfg.com

EUROPE
Basingstoke, UK +44 1256 812812

AUSTRALASIA
Queenstown, SA, Australia +61 8 8240 2244

Aluminum Instrument (1455 & 1456 Series)



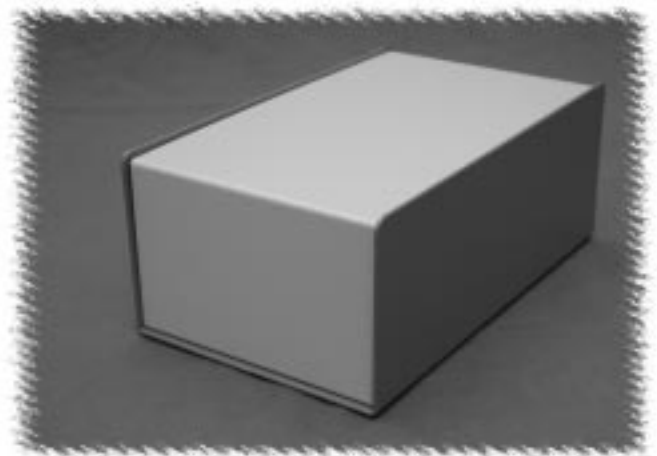
KEY FEATURES

- Designed to house electronics or for equipment interfacing where shelf or wall mounting is required.
- Consists an aluminum “U” shaped extrusion and a slide-in flat aluminum bottom plate. Steel foot “L” brackets are attached to each end. “L” brackets are punched with 0.31” (7.9 mm) diameter keyholes for easy mounting of enclosure.
- Visit our web site for drawings and complete detail by part number.
- Rugged body constructed from extruded aluminum, minimum thickness of .06” (1.5 mm).
- Available in clear or black anodized finish. The bottom slide-in plate is finished to match. The “L” brackets are finished in a textured black powder paint.
- All assembly hardware is included.

Part Number		Units	Dimensions		
Clear Anodized	Black Anodized		A	B	C
1455ZT1601	1455ZT1601BK	inch mm	6.30 160	3.50 88.9	2.20 56
1455ZT2201	1455ZT2201BK	inch mm	8.66 220	3.50 88.9	2.20 56

KEY FEATURES

- Aluminum case 0.081” (2 mm) thick aluminum.
- Aluminum top panel is 0.064” (1.6 mm) thick aluminum.
- Sold pre-assembled with a textured blue case and a choice of a contempora grey **or** a black top panel.
- Comes with self adhesive rubber feet and required mounting hardware.
- Replacement screws **1421J6** (Pkg. of 6, 6-32 Philips head screws).



Part Number		Units	Case Dimensions			Panel Dimensions		
Off White Top and Blue Case	Black Top and Blue Case		Length	Width	Height	Length	Width	Height
1456NEK4WHBU	1456NEK4BKBU	inch mm	10.0 254	6.0 152	4.0 102	9.75 248	5.8 147	3.8 97

Metal

10° Sloped Consoles (1456 Series)



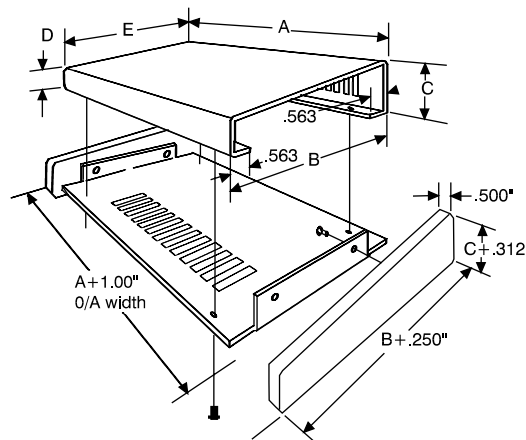
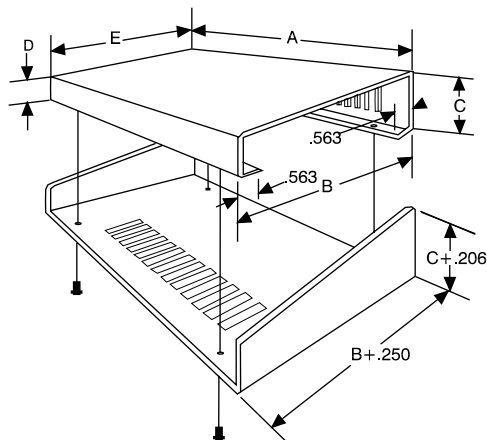
KEY FEATURES (Aluminum Top and Case)

- Aluminum cases 0.081" (2 mm) thick aluminum.
- Aluminum top panel sizes to 14" wide are 0.064" thick aluminum. Larger sizes are 0.081" thick.
- Sold pre-assembled with a textured blue case and a choice of a contemporanea grey (beige) or a black top panel.
- Comes with self adhesive rubber feet and required mounting hardware.
- Replacement screws **1421J6** (Pkg. of 6, 6-32 Philips head screws).

KEY FEATURES (Aluminum Top and Walnut Case)

- Solid oiled walnut sides on a black, ventilated steel base with contempora grey (beige) aluminum top panel.
- Aluminum top panel sizes to 14" wide are 0.064" thick aluminum. Larger sizes are 0.081" thick.
- Comes with self adhesive rubber feet and required mounting hardware.
- Replacement screws **1421J6** (Pkg. of 6, 6-32 Philips head screws).

Part Number			Units	Dimensions				
Beige Top and Blue Case	Black Top and Blue Case	Beige Top and Walnut Case		A	B	C	D	E
1456FE1WHBU	1456FE1BKBU		inch mm	6.5 165	5.5 140	2.5 64	1.5 38	5.6 142
1456PH1WHBU	1456PH1BKBU	1456PH1WHCWW	inch mm	14 356	8.3 211	3 76	1.5 38	8.5 216
1456RL1WHBU	1456RL1BKBU		inch mm	17 432	11.3 287	3.5 89	1.5 38	11.5 292
1456WL1WHBU	1456WL1BKBU		inch mm	20 508	11.3 287	3.5 89	1.5 38	11.5 292



Metal



CANADA
Guelph, Ontario (519) 822-2960
St. Laurent, Quebec (514) 343-9010
USA
Cheektowaga, NY (716) 651-0086

www.hammondmfg.com

EUROPE
Basingstoke, UK +44 1256 812812

AUSTRALASIA
Queenstown, SA, Australia +61 8 8240 2244

15° Sloped Consoles (1456 Series)



KEY FEATURES

Aluminum Top and Case

Same as 10° series (see page 89)

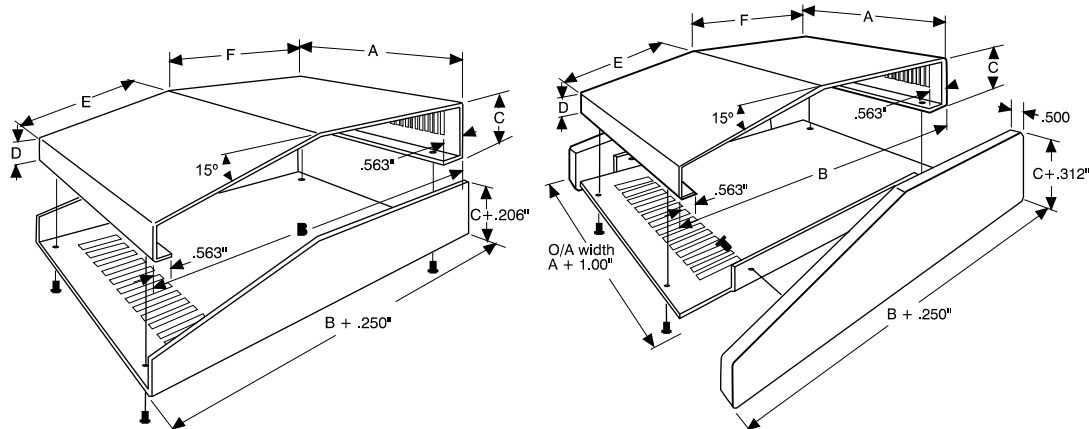
KEY FEATURES

Aluminum Top and Walnut Case

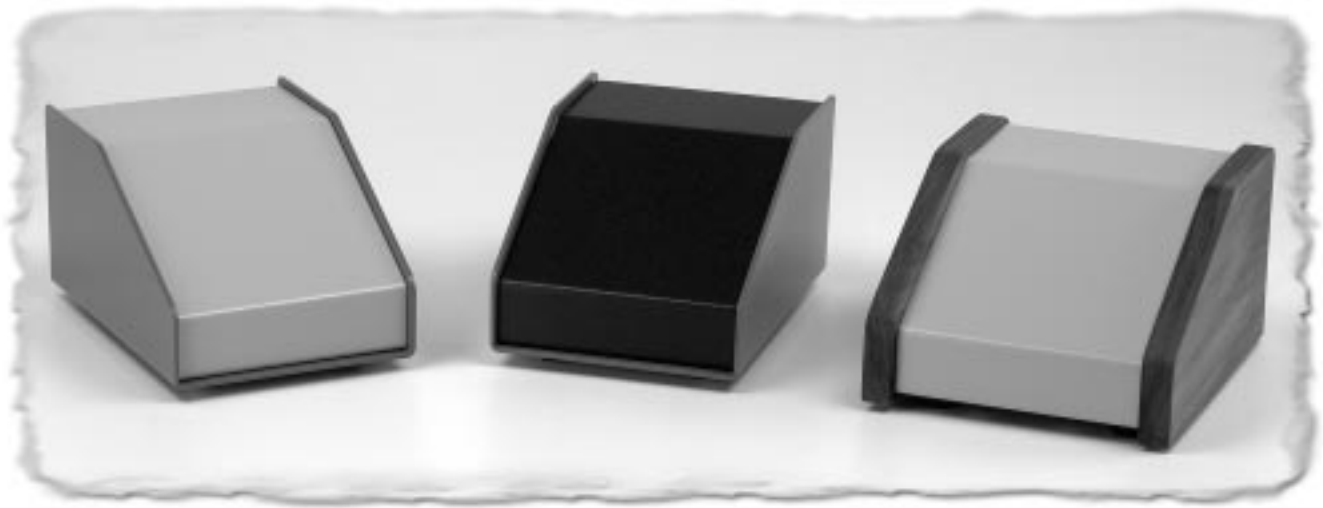
Same as 10° series (see page 89)

Part Number			Units	Dimensions					
Beige Top and Blue Case	Black Top and Blue Case	Beige Top and Walnut Case		A	B	C	D	E	F
1456CE2WHBU	1456CE2BKBU	1456CE2WHCWW	inch mm	4 102	5.5 140	2 51	1.1 28	3.3 84	2.2 56
1456FE2WHBU	1456FE2BKBU		inch mm	6.5 165	5.5 140	2 51	1.1 28	3.3 84	2.2 56
1456FH3WHBU	1456FH3BKBU		inch mm	6.5 165	8.3 211	3 76	1.3 33	6.3 160	2.2 56
1456FH2WHBU	1456FH2BKBU	1456FH2WHCWW	inch mm	6.5 165	8.5 216	2 51	1.1 28	3.3 84	5.2 132
1456KH3WHBU	1456KH3BKBU	1456KH3WHCWW	inch mm	10 254	8.3 211	3 76	1.3 33	6.3 160	2.2 56
1456KL3WHBU	1456KL3BKBU		inch mm	10 254	11.3 287	3 76	1.3 33	6.3 160	5.2 132
1456PH3WHBU	1456PH3BKBU	1456PH3WHCWW	inch mm	14 356	8.3 211	3 76	1.3 33	6.3 160	2.2 56
1456PL3WHBU	1456PL3BKBU	1456PL3WHCWW	inch mm	14 356	11.3 287	3 76	1.3 33	6.3 160	5.2 132
1456RH3WHBU	1456RH3BKBU		inch mm	17 432	8.3 211	3 76	1.3 33	6.3 160	2.2 56
1456RL3WHBU	1456RL3BKBU		inch mm	17 432	11.3 287	3 76	1.3 33	6.3 160	5.2 132
1456WH3WHBU	1456WH3BKBU		inch mm	20 508	8.3 211	3 76	1.3 33	6.3 160	2.2 56
1456WL3WHBU	1456WL3BKBU		inch mm	20 508	11.3 287	3 76	1.3 33	6.3 160	5.2 132

Metal



30° Sloped Consoles (1456 Series)



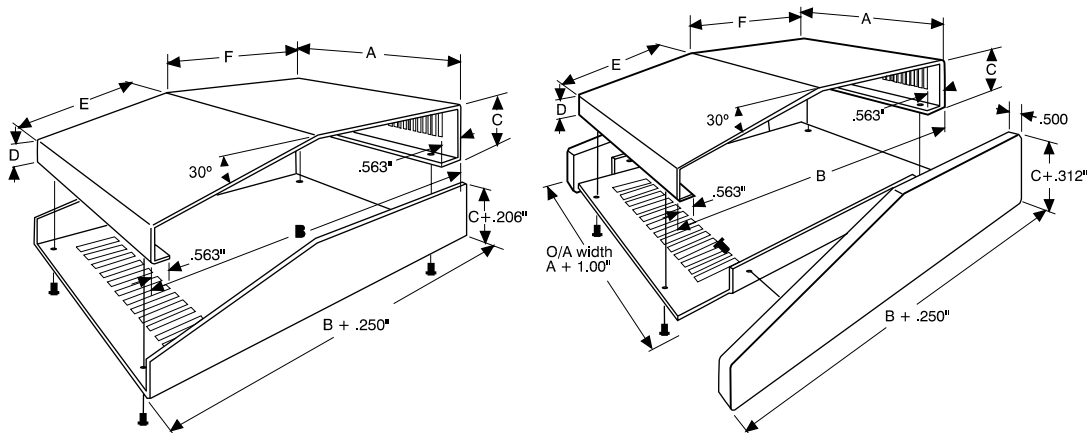
KEY FEATURES

Aluminum Top and Case
Same as 10° series (see page 89)

KEY FEATURES

Aluminum Top and Walnut Case
Same as 10° series (see page 89)

Part Number			Units	Dimensions					
Beige Top and Blue Case	Black Top and Blue Case	Beige Top and Walnut Case		A	B	C	D	E	F
1456CE3WHBU	1456CE3BKBU	1456CE3WHCWW	inch mm	4 102	5.5 140	3 76	1.1 28	3.7 94	2.2 56
1456FE3WHBU	1456FE3BKBU		inch mm	6.5 165	5.5 140	3 76	1.1 28	3.7 94	2.2 56
1456FG4WHBU	1456FG4BKBU		inch mm	6.5 165	7.2 183	4 102	1.1 28	5.7 145	2.2 56
1456KE3WHBU	1456KE3BKBU		inch mm	10 254	5.5 140	3 76	1.1 28	3.7 94	2.2 56
1456KG4WHBU	1456KG4BKBU		inch mm	10 254	7.2 183	4 102	1.1 28	5.7 145	2.2 56
1456KK4WHBU	1456KK4BKBU	1456KK4WHCWW	inch mm	10 254	10.2 259	4 102	1.1 28	5.7 145	5.2 132
1456PG4WHBU	1456PG4BKBU		inch mm	14 356	7.2 183	4 102	1.1 28	5.7 145	2.2 56
1456PK4WHBU	1456PK4BKBU	1456PK4WHCWW	inch mm	14 356	10.2 259	4 102	1.1 28	5.7 145	5.2 132
1456RK4WHBU	1456RK4BKBU		inch mm	17 432	10.2 259	4 102	1.1 28	5.7 145	5.2 132
1456WK4WHBU	1456WK4BKBU		inch mm	20 508	10.2 259	4 102	1.1 28	5.7 145	5.2 132



Metal



CANADA
Guelph, Ontario (519) 822-2960
St. Laurent, Quebec (514) 343-9010
USA
Cheektowaga, NY (716) 651-0086

www.hammondmfg.com

EUROPE
Basingstoke, UK +44 1256 812812

AUSTRALASIA
Queenstown, SA, Australia +61 8 8240 2244

15° & 30° Sloped Consoles (500 & 519 Series)



15° - Steel Base & Back
Aluminum Top



15° - Steel Base
Aluminum Back & Top

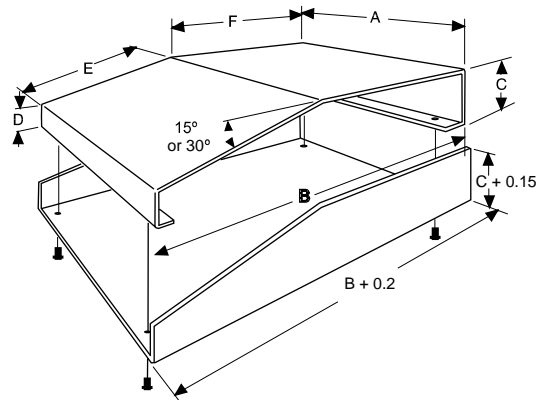


30° - Steel Base
Aluminum Back & Top

KEY FEATURES

- 18 ga. steel base for extra strength with vertical rows in sides for ventilation.
- Easy to machine - aluminum top panels are 0.064" (1.6 mm) thick aluminum.
- Sold pre-assembled with a two tone grey powder paint finish (base is dark satin gray, slope top is smooth light grey).
- Comes with four self adhesive rubber feet and required hardware.
- Replacement screws **1421J6** (Pkg. of 6, 6-32 Philips head screws).

Part Number		Slope Angle	Units	Dimensions					
Steel Back Aluminum Top	Aluminum Back & Top			A	B	C	D	E	F
500-0930		15°	inch mm	7.0 178	7.0 178	2.13 54	1.2 30	4.2 107	2.9 74
500-0940		15°	inch mm	7.6 190	7.0 178	3.78 96	2.86 73	4.2 107	2.9 74
500-0950		15°	inch mm	11.7 297	7.83 199	2.13 54	1.2 30	4.2 107	3.7 94
	515-0910	15°	inch mm	4.5 114	6.0 152	2.13 54	1.13 29	3.6 91	2.5 64
	515-0920	15°	inch mm	6.0 152	6.0 152	2.13 54	1.13 29	3.6 91	2.5 64
	515-0930	15°	inch mm	7.4 188	6.0 152	2.13 54	1.13 29	3.6 91	2.5 64
	515-0940	15°	inch mm	7.4 188	6.0 152	3.78 96	2.78 71	3.6 91	2.5 64
	515-0950	15°	inch mm	11.7 297	7.7 196	2.13 54	1.2 30	4.2 107	3.5 89
	519-0910	30°	inch mm	8.5 216	5.7 145	3.78 96	1.86 47	3.7 94	2.5 64
	519-0920	30°	inch mm	13.7 348	6.9 175	3.78 96	1.86 47	4.0 102	3.4 86



Metal

Heavy Duty Instrument (511-518 Series)

KEY FEATURES

- 18 ga. steel base and top (front & back panel will not push in from mounted buttons, controls, connectors etc.).
- Sides include two horizontal rows of ventilation.
- Choice of sloping or vertical sides by reversing case.
- Sold pre-assembled with powder paint finish. Top is dark satin grey. Bottom, front & back is smooth light grey.
- Comes with four self adhesive rubber feet and required hardware.
- Replacement screws **1421J6** (Pkg. of 6, 6-32 Philips head screws).

Part Number	Units	Dimensions			
		Width	Length (Top)	Length (Bottom)	Height
512-0900	inch	3.0	5.25	4.875	2.0
	mm	76	133	124	51
511-0900	inch	3.63	7.0	6.5	2.75
	mm	92	178	165	70
513-0900	inch	4.75	8.63	7.875	3.5
	mm	121	219	200	89



KEY FEATURES

- 18 ga. steel base and top (front & back panel will not push in from mounted buttons, controls, connectors etc.).
- Sides include one horizontal row of louvers for ventilation.
- Choice of sloping or vertical sides by reversing case.
- Includes our handle (part number **1427C1**) & holes in the top for mounting. Includes plastic plugs if handle is not used.
- Sold pre-assembled with powder paint finish. Top is dark satin grey. Bottom, front & back is smooth light grey.
- Comes with four self adhesive rubber feet and required hardware.
- Assembled with 8 machine screws into weld-nuts for repetitive assembly & disassembly.

Part Number	Units	Dimensions			
		Width	Length (Top)	Length (Bottom)	Height
518-910	inch	7.75	11.06	9.75	4.75
	mm	197	281	248	121
518-920	inch	11.75	9.63	7.75	6.25
	mm	298	245	197	159



KEY FEATURES

- Heavy duty 0.1" (2.54mm) thick aluminum base and top - for extra strength (front & back panel will not push in from mounted buttons, controls connectors, etc.). Sides include for horizontal rows of louvers for ventilation.
- Includes heavy duty 0.1" (2.54 mm) thick aluminum - raised mounting panel. Mounting surface includes 8 press nuts mounting and a 5" (127 mm) x 8.63" (219 mm) area.
- Front & back is recessed near the top with flange - to act as built in lifting handles.
- Comes with three cord grommets for front & rear holes and required assembly hardware.
- Sold pre-assembled in a light textured - dark grey powder paint finish.

Part Number	Units	Dimensions		
		Width	Length	Height
516-0010	inch	8.5	14.38	9.25
	mm	216	365	235



Metal



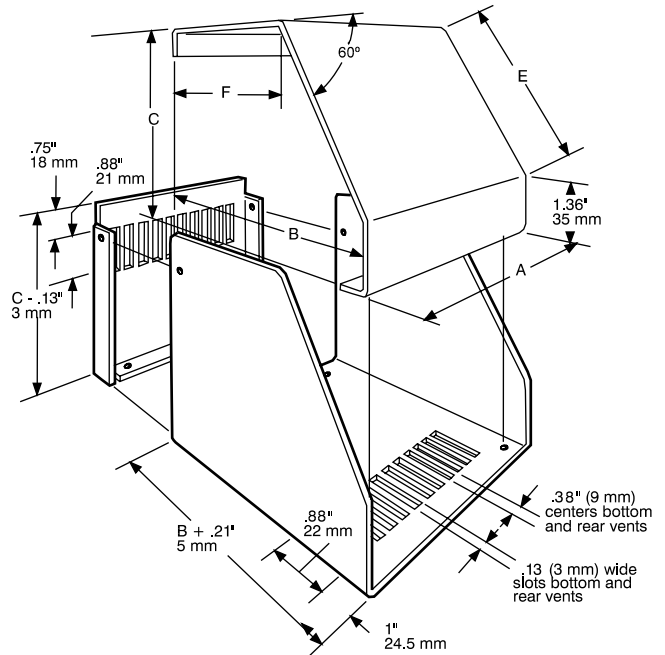
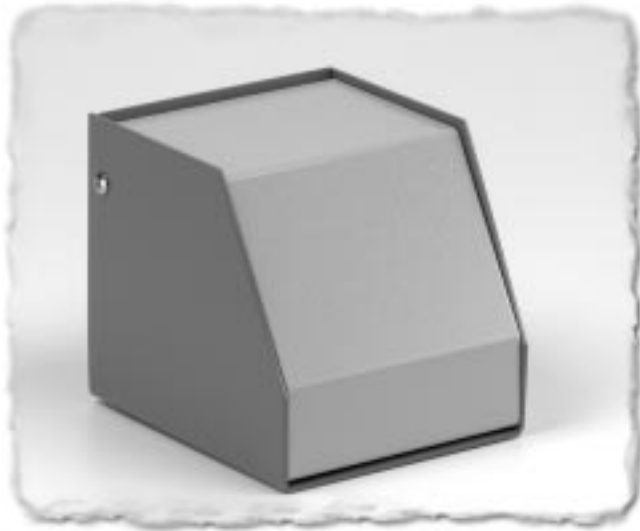
CANADA
Guelph, Ontario (519) 822-2960
St. Laurent, Quebec (514) 343-9010
USA
Cheektowaga, NY (716) 651-0086

www.hammondmfg.com

EUROPE
Basingstoke, UK +44 1256 812812

AUSTRALASIA
Queenstown, SA, Australia +61 8 8240 2244

Sloped Instrument Consoles (SCEM Series)



KEY FEATURES

- Convection ventilation is provided by slots in the bottom and removable rear panels.
- Aluminum case is finished in satin blue with a contempora grey panel.
- Supplied with hardware and rubber feet.
- Replacement screws **1421J6** (Pkg. of 6, 6-32 Philips head screws).

Metal

Part Number	Units	Dimensions				
		A	B	C	E	F
SCEM101110WH	inch mm	4 102	4.5 114	4 102	3 76	2.9 74
SCEM161110WH	inch mm	6.5 165	4.5 114	4 102	3 76	2.9 74
SCEM161414WH	inch mm	6.5 165	5.5 140	5.5 140	4.7 119	3.1 79
SCEM251414WH	inch mm	10 254	5.5 140	5.5 140	4.7 119	3.1 79
SCEM251619WH	inch mm	10 254	6.5 165	7.5 191	7 179	2.9 74
SCEM351619WH	inch mm	14 356	6.5 165	7.5 191	7 179	2.9 74

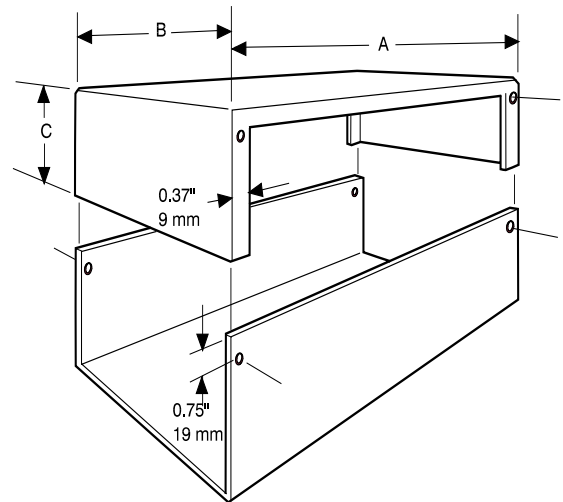
Aluminum & Steel Utility (1411 & 1412 Series)



KEY FEATURES

- .040" (1 mm) thick aluminum or 20 gauge steel
- Four self-tapping screws included.
- Natural aluminum or ASA 61 grey powder paint finish (outside only).
- Natural aluminum version is protected through manufacturing and shipping with a plastic skin cover to ensure a high quality finish.
- Replacement screws **1421J6** (Pkg. 6, 6-32 Philips head screws).

Part Number			Units	Dimensions		
ASA 61 Grey Aluminum	Natural Aluminum	ASA 61 Grey Steel		A	B	C
1411B	1411BU	-	inch mm	2.7 69	2.2 56	1.6 41
1411C	1411CU	-	inch mm	3.2 81	2.2 56	1.1 28
1411D	1411DU	-	inch mm	3.2 81	2.2 56	1.6 41
1411G	1411GU	-	inch mm	4.0 102	2.2 56	1.6 41
1411H	1411HU	-	inch mm	4.0 102	2.2 56	2.2 56
1411F	1411FU	-	inch mm	4.0 102	2.2 56	3.0 76
1411J	1411JU	1412J	inch mm	4.0 102	4.0 102	2.0 51
1411K	1411KU	-	inch mm	5.0 127	2.2 56	2.2 56
1411N	1411NU	-	inch mm	5.0 127	3.0 76	2.2 56
1411L	1411LU	-	inch mm	5.0 127	4.0 102	3.0 76
1411M	1411MU	-	inch mm	6.0 152	3.0 76	3.0 76
1411PP	1411PPU	1412PP	inch mm	6.0 152	4.0 76	2.0 51
1411P	1411PU	-	inch mm	6.0 152	5.0 127	4.0 102
1411Q	1411QU	-	inch mm	7.0 178	5.0 127	3.0 76
1411SS	1411SSU	1412SS	inch mm	8.0 203	4.0 102	2.0 51
1411S	1411SU	-	inch mm	8.0 203	4.0 102	3.0 76
1411RR	1411RRU	1412RR	inch mm	8.0 203	6.0 152	2.0 51
1411R	1411RU	-	inch mm	8.0 203	6.0 152	3.5 89
1411T	1411TU	-	inch mm	10.0 254	2.2 56	1.6 41
1411TT	1411TTU	1412TT	inch mm	10.0 254	6.0 152	2.0 51
1411U	1411UU	-	inch mm	10.0 254	6.0 152	3.5 89
1411W	1411WU	-	inch mm	12.0 305	3.0 76	2.2 56
1411X	1411XU	1412X	inch mm	12.0 305	7.0 178	4.0 102
1411V	1411VU	1412V	inch mm	12.0 305	8.0 203	3.0 76
1411Y	1411YU	1412Y	inch mm	16.0 406	8.0 203	3.0 76
1411Z	1411ZU	-	inch mm	17.0 432	5.0 127	4.0 102



Painted aluminum version...

Metal



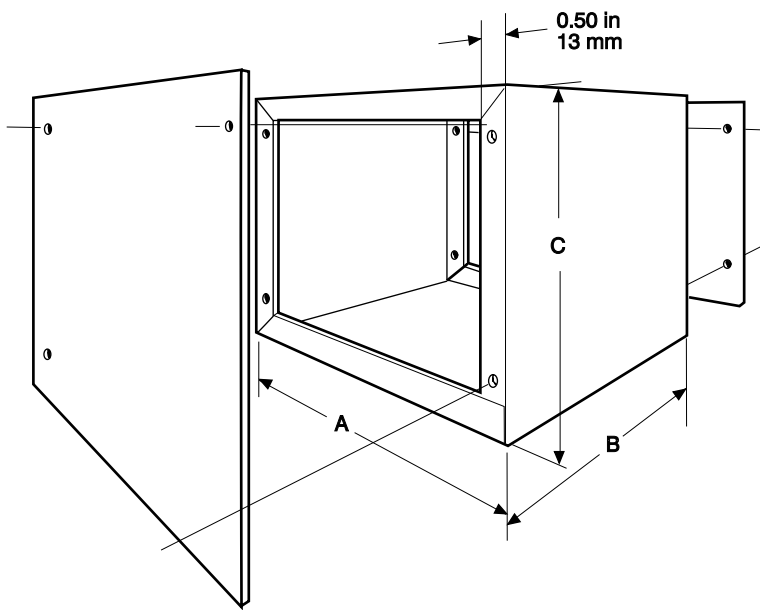
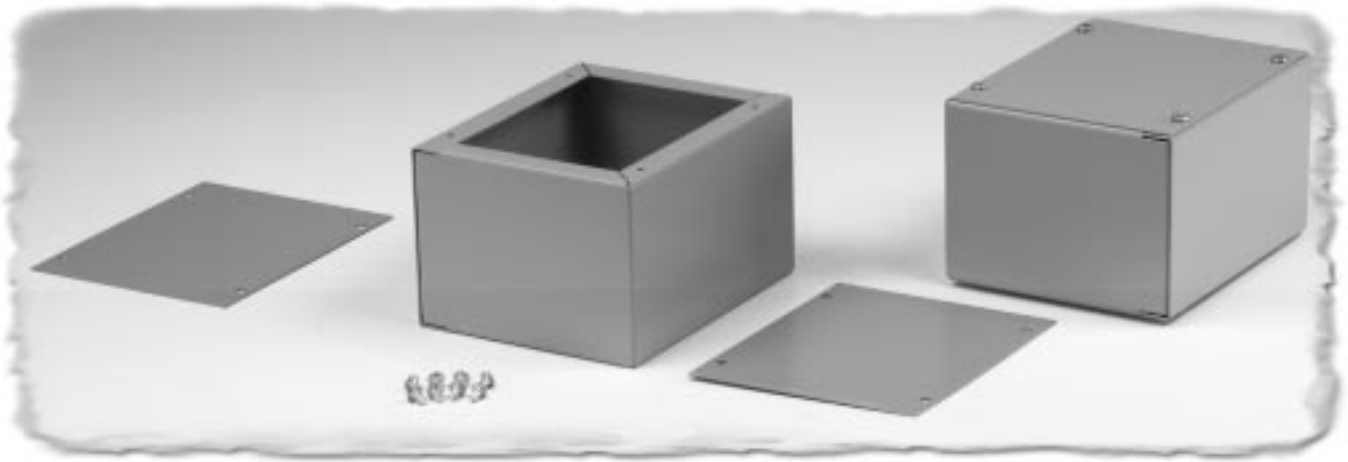
CANADA
Guelph, Ontario (519) 822-2960
St. Laurent, Quebec (514) 343-9010
USA
Cheektowaga, NY (716) 651-0086

www.hammondmfg.com

EUROPE
Basingstoke, UK +44 1256 812812

AUSTRALASIA
Queenstown, SA, Australia +61 8 8240 2244

Steel Utility (1415 Series)



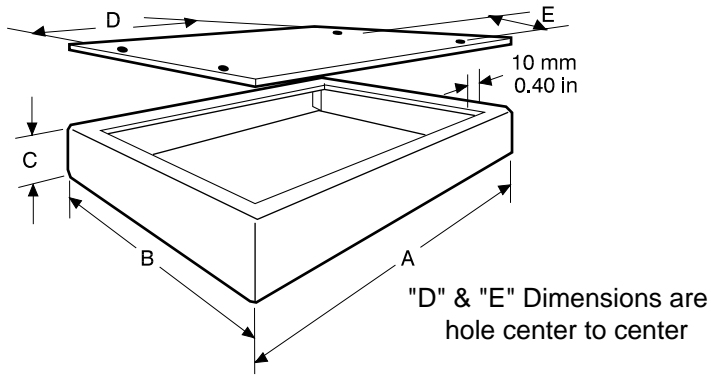
KEY FEATURES

- Sizes A to E are 20 gauge 0.036" thick steel.
- Sizes F to J are 18 gauge 0.048" thick steel.
- Self-tapping screws included.
- ASA 61 grey powder paint finish.
- Replacement screws **1421J6** (Pkg. of 6, 6-32 Philips head screws).
- Lid mounting holes are 3/16" diameter

Part Number	Units	Dimensions		
		A	B	C
1415A	inch	4	2	4
	mm	102	51	102
1415B	inch	4	3	5
	mm	102	76	127
1415C	inch	6	4	5
	mm	152	102	127
1415D	inch	6	6	6
	mm	152	152	152
1415E	inch	9	5	6
	mm	229	127	152
1415F	inch	10	7	8
	mm	254	178	203
1415H	inch	10	8	10
	mm	254	203	254
1415G	inch	12	6	7
	mm	305	152	178
1415I	inch	12	8	11
	mm	305	203	279
1415J	inch	15	7	9
	mm	383	179	230

Metal

Steel Chassis (1441 & 1431 Series)



Part Number				Gauge	Units	Dimensions				
Grey Chassis	Grey Cover	Black Chassis	Black Cover			A	B	C	D	E
1441-6	1431-6	1441-6BK3	1431-6BK3	20	inch mm	4 102	4 102	2 51	3.6 92	3 76
1441-8	1431-8	1441-8BK3	1431-8BK3	20	inch mm	6 152	4 102	2 51	5.6 143	3 76
1441-12	1431-12	1441-12BK3	1431-12BK3	20	inch mm	7 178	5 127	2 51	6.6 168	3 76
1441-9	1431-10	1441-9BK3	1431-10BK3	20	inch mm	8 203	4 102	1 25	7.6 194	3 76
1441-10	1431-10	1441-10BK3	1431-10BK3	20	inch mm	8 203	4 102	2 51	7.6 194	3 76
1441-14	1431-14	1441-14BK3	1431-14BK3	20	inch mm	9 229	5 127	2 51	8.6 219	3 76
1441-15	1431-16	1441-15BK3	1431-16BK3	20	inch mm	10 254	6 152	1 25	9.6 244	4 102
1441-16	1431-16	1441-16BK3	1431-16BK3	20	inch mm	10 254	6 152	2 51	9.6 244	4 102
1441-22	1431-22	1441-22BK3	1431-22BK3	20	inch mm	12 305	8 203	2 51	11.6 295	6 152
1441-24	1431-22	1441-24BK3	1431-22BK3	20	inch mm	12 305	8 203	3 76	11.6 295	6 152
1441-29	1431-29	1441-29BK3	1431-29BK3	20	inch mm	12 305	10 254	2 51	11.6 295	8 203
1441-18	1431-18	1441-18BK3	1431-18BK3	20	inch mm	13.5 343	5 127	2 51	13.1 333	3 76
1441-26	1431-26	1441-26BK3	1431-26BK3	20	inch mm	16 406	8 203	2 51	15.6 397	6 152
1441-28	1431-26	1441-28BK3	1431-26BK3	20	inch mm	16 406	8 203	3 76	15.6 397	6 152
1441-20	1431-20	1441-20BK3	1431-20BK3	20	inch mm	17 432	4 102	3 76	16.6 422	3 76
1441-30	1431-30	1441-30BK3	1431-30BK3	20	inch mm	17 432	10 254	2 51	16.6 422	8 203
1441-32	1431-30	1441-32BK3	1431-30BK3	20	inch mm	17 432	10 254	3 76	16.6 422	8 203
1441-33	1431-30	1441-33BK3	1431-30BK3	20	inch mm	17 432	10 254	4 102	16.6 422	8 203
1441-34	1431-34	1441-34BK3	1431-34BK3	18	inch mm	17 432	12 305	2 51	16.6 422	10 254
1441-36	1431-34	1441-36BK3	1431-34BK3	18	inch mm	17 432	12 305	3 76	16.6 422	10 254
1441-38	1431-38	1441-38BK3	1431-38BK3	18	inch mm	17 432	14 356	3 76	16.6 422	12 305
1441-40	1431-38	1441-40BK3	1431-38BK3	18	inch mm	17 432	14 356	4 102	16.6 422	12 305
1441-42	1431-38	1441-42BK3	1431-38BK3	18	inch mm	17 432	14 356	5 127	16.6 422	12 305

KEY FEATURES

- Spot welded heavy duty construction chassis.
- Finished in ASA 61 smooth grey or satin black powder paint.
- Cover holes are punched with 4 holes – 3/16" diameter. Hardware not provided, please order separately - Part number **1421J6** (Pkg. of 6, 6-32 Philips head screws).

Metal



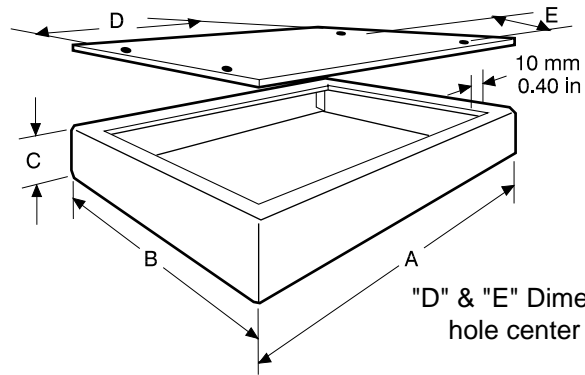
CANADA
Guelph, Ontario (519) 822-2960
St. Laurent, Quebec (514) 343-9010
USA
Cheektowaga, NY (716) 651-0086



EUROPE
Basingstoke, UK +44 1256 812812

AUSTRALASIA
Queenstown, SA, Australia +61 8 8240 2244

Aluminum Chassis (1444 & 1434 Series)



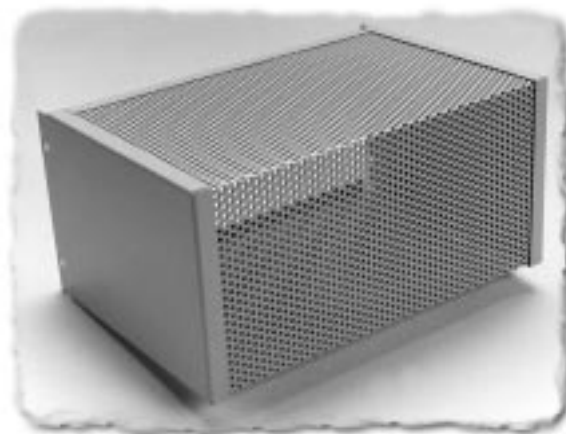
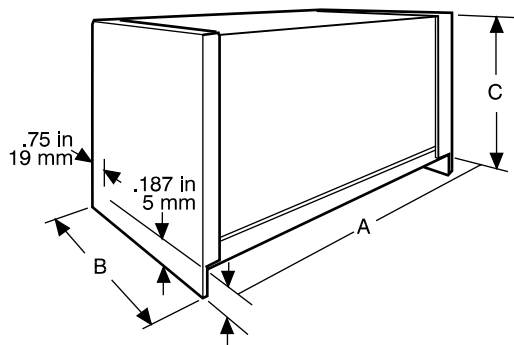
KEY FEATURES

- Spot welded heavy duty construction chassis.
- Natural finish (as shown above - right group)
- Cover holes are punched with 4 holes – 3/16" diameter. Hardware not provided, please order separately - Part number **1421J6** (Pkg. of 6, 6-32 Philips head screws).

Part Number		In. Thick	Units	Dimensions				
Aluminum Chassis	Cover			A	B	C	D	E
1444-6	1434-6	.040	inch mm	4 102	4 102	2 51	3.6 92	3 76
1444-8	1434-8	.040	inch mm	6 152	4 102	2 51	5.6 143	3 76
1444-12	1434-12	.040	inch mm	7 178	5 127	2 51	6.6 168	3 76
1444-9	1434-10	.040	inch mm	8 203	4 102	1 25	7.6 194	3 76
1444-10	1434-10	.040	inch mm	8 203	4 102	2 51	7.6 194	3 76
1444-14	1434-14	.040	inch mm	9 229	5 127	2 51	8.6 219	3 76
1444-15	1434-16	.040	inch mm	10 254	6 152	1 25	9.6 244	4 102
1444-16	1434-16	.040	inch mm	10 254	6 152	2 51	9.6 244	4 102
1444-22	1434-22	.051	inch mm	12 305	8 203	2 51	11.6 295	6 152
1444-24	1434-22	.051	inch mm	12 305	8 203	3 76	11.6 295	6 152
1444-29	1434-29	.051	inch mm	12 305	10 254	2 51	11.6 295	8 203
1444-18	1434-18	.040	inch mm	13.5 343	5 127	2 51	13.1 333	3 76
1444-26	1434-26	.051	inch mm	16 406	8 203	2 51	15.6 397	6 152
1444-28	1434-26	.051	inch mm	16 406	8 203	3 76	15.6 397	6 152
1444-20	1434-20	.040	inch mm	17 432	4 102	3 76	16.6 422	3 76
1444-30	1434-30	.051	inch mm	17 432	10 254	2 51	16.6 422	8 203
1444-32	1434-30	.051	inch mm	17 432	10 254	3 76	16.6 422	8 203
1444-33	1434-30	.051	inch mm	17 432	10 254	4 102	16.6 422	8 203

Metal

Steel Chassis Cover (1451 Series)



KEY FEATURES

- For use with the 1441 and 1444 series chassis.
- 20 gauge steel ends welded to a perforated steel wrapper.
- ASA 61 grey baked enamel finish.
- 4 self-tapping screws included.
- Replacement screws **1421J6** (Pkg. of 6, 6-32 Philips head screws).

Part Number		Units	Dimensions			Use with Chassis
ASA61 Gray	Satin Black		A	B	C	
1451-10	1451-10BK3	inch mm	8 203	4 102	5.2 132	4 x 8
1451-14	1451-14BK3	inch mm	9 228	5 127	5.2 132	5 x 9
1451-16	1451-16BK3	inch mm	10 254	6 152	5.2 132	6 x 10
1451-29	1451-29BK3	inch mm	10 254	12 305	5.2 132	10 x 12
1451-22	1451-22BK3	inch mm	12 305	8 203	5.2 132	8 x 12
1451-26	1451-26BK3	inch mm	16 406	8 203	5.2 132	8 x 16
1451-30	1451-30BK3	inch mm	17 432	10 254	5.2 132	10 x 17

Metal



CANADA

Guelph, Ontario (519) 822-2960
St. Laurent, Quebec (514) 343-9010

USA

Cheektowaga, NY (716) 651-0086



EUROPE

Basingstoke, UK +44 1256 812812

AUSTRALASIA

Queenstown, SA, Australia +61 8 8240 2244



Accessories





Key Features:

- Modern style.
- Rugged endposts made of Polyamid with 30% reinforced glass fiber and molded-in brass inserts.
- Heavy duty extruded anodized aluminum bar handle.
- Sold singly.
- Hardware included
- Three color version available for each size.

Part Number			Units	Dimensions			
Black End Post/Clear Aluminum	Black End Post/Black Aluminum	Grey End Post/Clear Aluminum		Handle Mounting Hole Centers	Height	Screw Thread	Handle Width
1427GBC	1427GBB	1427GGC	inch mm	3.00 76.2	1.64 41.7	M4x10	0.52 13.2
1427NBC	1427NBB	1427NGC	inch mm	3.50 88.9	1.64 41.7	M4x10	0.52 13.2
1427SBC	1427SBB	1427SGC	inch mm	4.00 101.6	1.64 41.7	M4x10	0.52 13.2
1427TBC	1427TBB	1427TGC	inch mm	5.00 127	1.64 41.7	M4x10	0.52 13.2
1427MBC	1427MBB	1427MGC	inch mm	5.30 134.6	1.64 41.7	M4x10	0.52 13.2
1427WBC	1427WBB	1427WGC	inch mm	6.00 152.4	1.64 41.7	M4x10	0.52 13.2
1427LBC	1427LBB	1427LGC	inch mm	7.00 177.8	1.64 41.7	M4x10	0.52 13.2

Part Number	Units	Dimensions					Designed for Panel Height
		Handle Mounting Hole Centers	Height	Screw Thread	Thread Depth	Handle Diameter	
1427B	inch mm	1.25 31.8	0.625 15.9	4-40	0.156 3.96	0.187 4.75	1.75" (1U)
1427B2	inch mm	1.25 31.8	1.00 25.4	6-32	0.25 6.35	0.187 4.75	1.75" (1U)
1427D	inch mm	1.75 44.5	0.75 19.1	4-40	0.25 6.35	0.187 4.75	5.25" (3U)
1427E	inch mm	2.00 50.8	1.00 25.4	6-32	0.25 6.35	0.187 4.75	5.25" (3U)
1427Q	inch mm	2.30 58.4	0.95 23.8	6-32	0.375 9.53	0.25 6.35	5.25" (3U)
1427P	inch mm	2.8 71.1	0.95 23.8	6-32	0.375 9.53	0.25 6.35	5.25" (3U)
1427G	inch mm	3.00 76.2	1.75 44.5	8-32	0.562 14.27	0.25 6.35	8.75" (5U)
1427N	inch mm	3.50 88.9	1.20 30.5	10-32	0.375 9.53	0.375 9.53	8.75" (5U)
1427N2	inch mm	3.50 88.9	1.50 38.1	8-32	0.562 14.27	0.25 6.35	8.75" (5U)
1427C1	inch mm	4.00 101.6	1.30 33	10-32	0.562 14.27	0.375 9.53	8.75" (5U)
1427S	inch mm	4.00 101.6	1.50 38.1	8-32	0.562 14.27	0.25 6.35	8.75" (5U)
1427S2	inch mm	4.00 101.6	1.75 44.5	8-32	0.562 14.27	0.25 6.35	8.75" (5U)
1427T	inch mm	5.00 127	1.50 38.1	8-32	0.562 14.27	0.25 6.35	12.25" (7U)
1427T2	inch mm	5.00 127	1.75 44.5	8-32	0.562 14.27	0.25 6.35	12.25" (7U)
1427M	inch mm	5.30 134.6	1.20 30.5	10-32	0.375 9.53	0.375 9.53	12.25" (7U)
1427W	inch mm	6.00 152.4	1.50 38.1	8-32	0.562 14.27	0.25 6.35	12.25" (7U)
1427W2	inch mm	6.00 152.4	1.75 44.5	8-32	0.562 14.27	0.25 6.35	12.25" (7U)
1427L	inch mm	7.00 177.8	1.30 33	10-32	0.375 9.53	0.375 9.53	14.00" (8U)



Key Features:

- Chrome plated round steel
- Sold singly
- Hardware included



CANADA
Guelph, Ontario (519) 822-2960
St. Laurent, Quebec (514) 343-9010
USA
Cheektowaga, NY (716) 651-0086

www.hammondmfg.com

EUROPE
Basingstoke, UK +44 1256 812812

AUSTRALASIA
Queenstown, SA, Australia +61 8 8240 2244

Handles



1427C2

- 4" (102mm) hole to hole mounting centers
- 4.4" (111mm) length
- 1.3" (33mm) height
- 5/8" x 9/32" (15.9 x 7.14mm) oval, satin nickel finished brass
- 10-32 hardware included
- thread depth is 1/2" (12.7mm)



M268-4

- 7.1" (181mm) hole to hole mounting centers
- 7.6" (194mm) length
- 1.6" (40mm) height
- matte clear anodized aluminum handle
- hardware included
- .48" (12mm) width



1427C5

- 4" (102mm) hole to hole mounting centers
- 4.2" (108mm) length
- 1.3" (34mm) height
- 1/4" x 7/8" (6.35 x 22.2mm) rectangular, clear anodized brushed finish aluminum
- 8-32 hardware included
- thread depth is 7/16" (11.11mm)



M268-5

- 9.3" (237mm) hole to hole mounting centers
- 9.8" (249mm) length
- 1.6" (40mm) height
- matte clear anodized aluminum handle
- hardware included
- .48" (12mm) width



M268-2

- 3.5" (88mm) hole to hole mounting centers
- 4" (102mm) length
- 1.6" (40mm) height
- matte clear anodized aluminum handle
- hardware included
- .48" (12mm) width



1427C6

- 2.7" (70mm) hole to hole mounting centers
- 3.5" (89mm) length
- 1.5" (38mm) height
- clear anodized satin finish aluminum
- 8-32 hardware included
- thread depth is 7/16" (11.11mm)



M268-3

- 4.8" (121mm) hole to hole mounting centers
- 5.3" (134mm) length
- 1.6" (40mm) height
- matte clear anodized aluminum handle
- hardware included
- .48" (12mm) width



M3299-1131

- 1.3" (32mm) hole to hole mounting centers
- 1.7" (42mm) length
- 1.6" (40mm) height
- matte clear anodized aluminum handle
- hardware included
- .30" (8mm) width



- M3299-1231**
- 3" (75mm) hole to hole mounting centers
 - 3.4" (87mm) length
 - 1.6" (40mm) height
 - matte clear anodized aluminum handle
 - hardware included
 - .30" (8mm) width



- M250-1003**
- 4" (102mm) hole to hole mounting centers
 - 4.4" (111mm) length
 - 1.4" (36mm) height
 - black nylon carry handle
 - 55 lb. load capacity
 - hardware included
 - .52" (13mm) width



- M3299-1301**
- 4.7" (119mm) hole to hole mounting centers
 - 5.2" (131mm) length
 - 1.6" (40mm) height
 - matte clear anodized aluminum handle
 - hardware included
 - .30" (8mm) width



- M250-1393**
- 5.6" (141mm) hole to hole mounting centers
 - 6.1" (154mm) length
 - 1.7" (42mm) height
 - black nylon carry handle
 - 132 lb. load capacity
 - hardware included
 - .79" (20mm) width



- M286-6**
- 3.9" (99mm) hole to hole mounting centers
 - 4.6" (118mm) length
 - 1.7" (42mm) height
 - spring-locked, chrome plated steel folding handle
 - carry capacity of 220 lbs. (100kg) per pair
 - hardware included
 - sold in pairs



- 1427C4**
- 4.4" (111mm) hole to hole mounting centers
 - 5" (127mm) length
 - 1" (25mm) height
 - black anodized satin finish aluminum
 - 8-32 hardware included
 - thread depth is 3/8" (9.5mm)



- M250-663**
- 2.7" (67mm) hole to hole mounting centers
 - 3" (75mm) length
 - 1.3" (32mm) height
 - black nylon carry handles
 - hardware included



- 1427F**
- 3.7" (94mm) hole to hole mounting centers
 - 4.9" (124mm) length
 - 2.2" (56mm) height
 - black, scratch resistant, light weight polystyrene handle
 - 60 lb. load capacity
 - nickel plated steel support posts
 - hardware included
 - .43" (11mm) width



Handles & Feet



1427J

- 8.5" (216mm) long
- .77" (20mm) width
- .19" (5mm) height
- 7.25" (184mm) mounting centers
- chrome caps on a fluted soft vinyl strap with a spring steel core
- 50 lb. (23 kg) load capacity
- hardware included



M3255-2001

- 7.6" (194mm) length
- 3" (76mm) height
- .83" (21mm) depth
- silver steel tray
- folding black matte handle
- handle is 6.4" (164mm) wide and 2.3" (59mm) high
- carry capacity of 220 lbs. per pair
- hardware not included
- sold in pairs



1427K

- 5" (128mm) length
- 3.5" (90mm) height
- .68" (17mm) depth
- black plastic tray with grey plastic folding handle
- handle is 4.1" (104mm) wide and 2.5" (63mm) high
- steady load capacity of 75 lbs. per handle
- simple installation: secured by 2 clips (included)



M797-24

- 1.1" (27mm) length
- .64" (16mm) height
- .55" (14mm) depth
- black polyamic fixed rear legs
- hardware included
- sold in pairs



M262-01

- 5.9" (150mm) length
- 4.1" (105mm) height
- .65" (17mm) depth
- galvanized steel, flush mount screw down tray
- polished aluminum handle
- handle is 4.7" (120mm) wide and 3" (77mm) high
- steady load capacity of 330 lbs. per pair
- hardware included
- sold in pairs



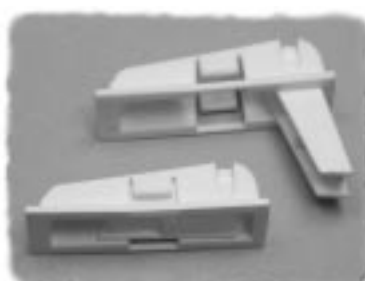
M3784-7001

- 2.6" (67mm) length (in closed position)
- 1.8" (46mm) height (in open position)
- black polyamide spring locked folding legs
- hardware included
- sold in pairs



M263-1

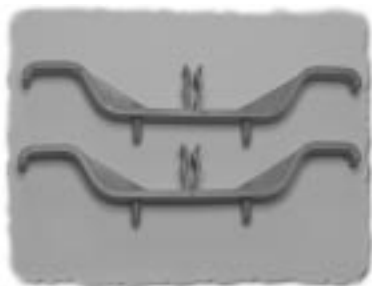
- 5.1" (130mm) length
- 3.6" (91mm) height
- .79" (20mm) depth
- black steel tray
- folding, spring loaded polished steel handle
- handle is 4" (102mm) wide and 2.3" (59mm) high
- steady load capacity of 275 lbs. per pair
- hardware not included
- sold in pairs



1427X

- 2.5" (63mm) length (in closed position)
- 1.35" (34mm) height (in open position)
- white ABS plastic folding legs
- sold in pairs

Cable Wraps, Rubber Feet & Bails



M795

- 4.8" (122mm) overall length
- grey plastic cord wrap
- simple installation: secured by two clips each (included)
- sold in pairs



M795-2

- 5" (126mm) overall length
- zinc plated cord wrap
- mounting hardware not included
- sold in pairs

RUBBER FEET



1421T2



1421T3



1421T4



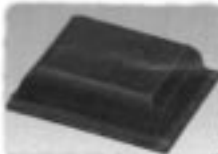
1421T5CL



1421T6CL



1421T7



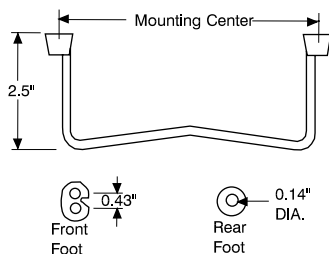
1421T8BK



1421T9BK

Rubber Feet						
Part Number	Description	Color	Dimensions		Style	Pkg. Qty
1421T2	Self-adhesive	Black	.5" x .14"	12.7 x 3.5 mm	Flat Round	24
1421T2CL	Self-adhesive	Clear	.5" x .14"	12.7 x 3.5 mm	Flat Round	24
1421T2GY	Self-adhesive	Grey	.5" x .14"	12.7 x 3.5 mm	Flat Round	24
1421T3	Self-adhesive	Black	.5" x .23"	12.7 x 5.8 mm	Square	24
1421T4	Self-adhesive	Black	.81" x .30"	20.5 x 7.6 mm	Square	24
1421T5BK	Self-adhesive	Black	.44" x .20"	11.1 x 5 mm	Hemisphere	24
1421T5CL	Self-adhesive	Clear	.44" x .20"	11.1 x 5 mm	Hemisphere	24
1421T6CL	Self-adhesive	Clear	.31" x .09"	7.9 x 2.2 mm	Flat Round	24
1421T7	Screw-on	Black	.75" x .5"	19 x 12.7 mm	Round	24
1421T8BK	Self-adhesive	Black	.47" x .12"	12.1 x 3.1 mm	Square	24
1421T9BK	Self-adhesive	Black	.88" x .40"	22.35 x 10.16 mm	Round	24

BAILS



Bails - (Tilt Stand)		
Part Number	Mounting Centers	
	inches	mm
1427D5	5.5	139.7
1427D7	7.0	177.8
1427D10	10.0	254.0



Accessories



CANADA
Guelph, Ontario (519) 822-2960
St. Laurent, Quebec (514) 343-9010
USA
Cheektowaga, NY (716) 651-0086

www.hammondmfg.com

EUROPE
Basingstoke, UK +44 1256 812812

AUSTRALASIA
Queenstown, SA, Australia +61 8 8240 2244

HARDWARE

Part Number	Qty. per pkg.	Hardware Accessories
BH1AAWKIT	1	Battery holder kit for 1 AA cell for 1599 B & E series
BH2AAWKIT	1	Battery holder kit for 2 AA cell for 1599 B & E series
BH1AAAWKIT	1	Battery holder kit for 1 AAA cell for 1599 B & E series
BH2AAAWKIT	1	Battery holder kit for 2 AAA cell for 1599 B & E series
BH3AAAWKIT	1	Battery holder kit for 3 AAA cell for 1599E series
BH4AAAWKIT	1	Battery holder kit for 4 AAA cell for 1599E series
BS61KIT	1	Battery holder kit for 1 - 9V cell for 1599 B & E series
1427KR	1	Key ring kit for 1551 series
1448A20	20	Angles, clips and screws for 1448 rails
1448R6	1	Mounting rails for 1401 & 1458 series (5.6" - 142mm)
1448R8	1	Mounting rails for 1401 & 1458 series (7.6" - 193mm)
1448R10	1	Mounting rails for 1401 & 1458 series (9.6" - 244mm)
1448R12	1	Mounting rails for 1401 & 1458 series (11.6" - 295mm)
1448R14	1	Mounting rails for 1401 & 1458 series 13.6" - 345mm)
1590ORING-100	100	"O" ring for watertight 1590 series
1591AC	1	Clear plastic lid for 1591A series
1591BC	1	Clear plastic lid for 1591B series
1591CC	1	Clear plastic lid for 1591C series
1591DC	1	Clear plastic lid for 1591D series
1591EC	1	Clear plastic lid for 1591E series
1591GC	1	Clear plastic lid for 1591G series
1591HC	1	Clear plastic lid for 1591H series
1591LC	1	Clear plastic lid for 1591L series
1591SC	1	Clear plastic lid for 1591S series
1591TC	1	Clear plastic lid for 1591T series
1591UC	1	Clear plastic lid for 1591U series
1591VC	1	Clear plastic lid for 1591V series
1591Z6	6	P.C. card adaptors for 1590 (L-R) & 1591 series
1591Z50	50	P.C. card adaptors for 1590 (L-R) & 1591 series
1591Z100	100	P.C. card adaptors for 1590 (L-R) & 1591 series
1592ETG	1	Gasket kit for 1592 "T" case
1592ETM	1	Magnetic 3" pad for rear of 1592 "T" case
1592ETRF	6	Rubber feet for 1592 "T" case
1592ETV	1	Velcro mounting pad for 1592 "T" case
1593DIR10	10	Infrared panels for 1593D
1593NIR10	10	Infrared panels for 1593N
1593PIR10	10	Infrared panels for 1593K,L, P, Q, Y & X
1593SIR10	10	Infrared panels for 1593S & T
1594AZ25	25 sets	P.C. card guides for 1594A series
1594AD5	5 sets	P.C. card guides for 1594A series
1594BZ25	25 sets	P.C. card guides for 1594B series
1594BD5	5 sets	P.C. card guides for 1594B series
1594CZ25	25 sets	P.C. card guides for 1594C series
1594CD5	5 sets	P.C. card guides for 1594C series
1594DZ25	25 sets	P.C. card guides for 1594D series
1594DD5	5 sets	P.C. card guides for 1594D series
1594EZ25	25 sets	P.C. card guides for 1594E series
1594ED5	5 sets	P.C. card guides for 1594E series
1598PLABK	2	Black plastic end panels for 1598A series
1598PLBBK	2	Black plastic end panels for 1598B series
1598PLBBBK	2	Black plastic end panels for 1598BB series
1598PLCBK	2	Black plastic end panels for 1598C series
1598PLDBK	2	Black plastic end panels for 1598D series
1598PLEBK	2	Black plastic end panels for 1598E series
1598PLFBK	2	Black plastic end panels for 1598F serie
1598PLGBK	2	Black plastic end panels for 1598G serie
1598PLHBK	2	Black plastic end panels for 1598H series
1598PLJBK	2	Black plastic end panels for 1598J series

HARDWARE con't.

Part Number	Qty. per pkg.	Hardware Accessories
1598TH1	1	Tilt handle for 1598C,E,F & G
1598TH2	1	Tilt handle for 1598H & J
1598ZPC25	25	Circuit board clips for 1598 series
1598ZPC100	100	Circuit board clips for 1598 series
1599BD5	5	Plastic battery dividers for 1599B series
1599BD100	100	Plastic battery dividers for 1599B series
1599CLIP	1	Black nylon belt or pocket clip with hardware
1599CLIPGY	1	Grey nylon belt or pocket clip with hardware
1599ED5	5	Plastic battery dividers for 1599E series
1599ED100	100	Plastic battery dividers for 1599E series
1599HD5	5	Plastic battery dividers for 1599H series
1599HD100	100	Plastic battery dividers for 1599H series

SCREWS

Part Number	Qty per pkg.	Replacement & Accessory Screws	Screw Size
1421J6	6	Self tapping for most metal case series	6-32 philips, nickel plated
1455MS100	100	Machine screws for clear anodized 1455 series	-
1455MS100BK	100	Machine screws for black anodized 1455 series	-
1551ATS100	100	Self tapping type for 1551 series	#2 x 3/16" nickel plated
1590MS100	100	Machine type for 1590 (except L, M & R) series	6-32 x 1/2" nickel plated
1590MS50BK	50	Black machine type for 1590 series	6-32 x 1/2"
1590MS50BU	50	Blue machine type for 1590 series	6-32 x 1/2"
1590MS50GY	50	Grey machine type for 1590 series	6-32 x 1/2"
1590WMS100	100	Stainless steel machine screw for 1590 watertight series	6-32 x 1/2"
1590WMS100BK	100	Black stainless steel machine screw for 1590 watertight series	6-32 x 1/2"
1591MS100	100	Machine type for 1591 & 1598 series	M3 - 0.5 x 10mm
1591MS100BK	100	Black machine type for 1591 & 1598 series	M3 - 0.5 x 10mm
1591TS100	100	Self tapping type for 1591 styrene and 1551 series	#4 x 0.5" nickel plated
1591TS100BK	100	Black self tapping type for 1591 styrene and 1551 series	#4 x 0.5"
1593ATS50	50	Self tapping pan head for 1593, 1591 flange lid & 1599 series	#4 x 1/4" (6.4mm)
1593ATS100	100	Self tapping pan head for 1593, 1591 flange lid & 1599 series	#4 x 1/4" (6.4mm)
1593KS100	100	Self tapping, oval head for 1593K,L & X series	#4 x 0.875" (22.2mm)
1593MS100	100	Self tapping, oval head for 1593S & T series	#4 x 0.625" (15.9mm)
1594MS100	100	Machine type for 1594, 1599B, and 1592 series	M3 - 0.5 x 18mm
1594QS100	100	Self tapping, oval head for 1593J,N,P,Q,D & Y series	#4 x 0.75" (19.1mm)
1594TS100	100	Self tapping for 1594 & 1599ES styrene series	#4 x 25.4mm (1")
1594WMS100	100	Machine type for 1594 watertight series & 1599E	M3 - 0.5 x 25mm
1595MS100	100	Machine type for 1595 series	M3 - 0.5 x 8mm
1598ATS100	100	Screws for stand-off bosses in 1595 & 1598	#6 x 1/4" (6.4mm)
1598TS100	100	Self tapping for 1598 styrene series	#4 x 5/8"
1599BTS100	100	Self tapping for 1599BS styrene series	#4 x 3/4"

DIN CLIPS

1427DINCLIP

- Designed for mounting enclosures to DIN rails
- Includes hardware (Qty. 4 of a #5 self tapping screw) & drilling template
- Center to center hole spacing is 1.18" (30mm)
- Material is a rugged glass filled, black nylon (UL94-VO flammability rating)
- Units are 1.8" (45.7mm) long, 0.4" (10.0mm) wide - overall
- Sold in packages of 2



CANADA
Guelph, Ontario (519) 822-2960
St. Laurent, Quebec (514) 343-9010
USA
Cheektowaga, NY (716) 651-0086

www.hammondmfg.com

EUROPE
Basingstoke, UK +44 1256 812812

AUSTRALASIA
Queenstown, SA, Australia +61 8 8240 2244

Flange Kits & P.C. Board Adaptors

PLASTIC FLANGE KITS

Flange kits mount to the rear of our 1591 series (using glue)...

Three sizes cover our entire 1591 series...

Flange kits can be screwed to the lid of our 1591 series...

Flange slots allow for easy cable tie hanging...

Box Mount

Used with Enclosure	Box mounted flange Part Number
1591L	1591F1BK-10
1591A	1591F1BK-10
1591B	1591F1BK-10
1591C	1591F1BK-10
1591D	1591F2BK-10
1591E	1591F3BK-10
1591G	1591F2BK-10
1591H	1591F1BK-10
1591M	1591F1BK-10
1591S	1591F2BK-10
1591T	1591F2BK-10
1591U	1591F3BK-10
1591V	1591F3BK-10

SOLD IN PACKS OF 10

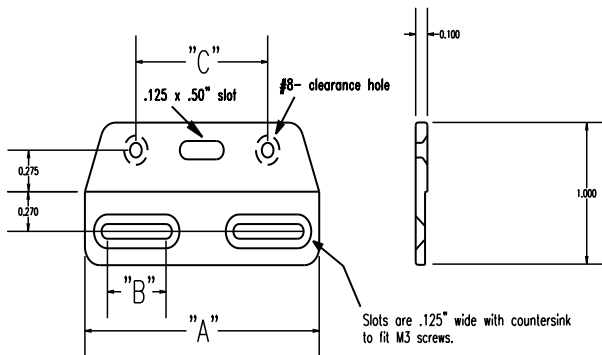
Molded in the same high quality, high strength, fire retardant ABS plastic (black only) as our 1591 series.

NOTE: When gluing flanges to ABS plastic boxes we recommend standard ABS cement. To glue flanges to our styrene enclosures we recommend a faster setting glue like Loctite's "Quick Tite"

Lid Mount

Used with Enclosure	Lid mounted flange Part Number
1591L	1591F1BK-10
1591A	1591F1BK-10
1591B	1591F1BK-10
1591C	1591F2BK-10
1591D	1591F2BK-10
1591E	1591F3BK-10
1591G	1591F3BK-10
1591H	1591F2BK-10
1591M	1591F1BK-10
1591S	1591F3BK-10
1591T	1591F2BK-10
1591U	1591F3BK-10
1591V	1591F3BK-10

SOLD IN PACKS OF 10



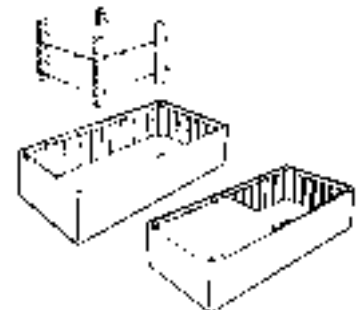
Part Number	Units	Dimensions		
		A	B	C
1591F1BK-10	inch mm	2.2 56	.25 6.4	1.5 38
1591F2BK-10	inch mm	3.0 76	.26 6.6	2.0 51
1591F3BK-10	inch mm	4.5 114	.60 15	3.25 83

P. C. CARD ADAPTORS

P.C. Board Card Adaptors

Allows horizontal mounting of P.C. board(s). **For the 1591 and ribbed 1590 series only.**

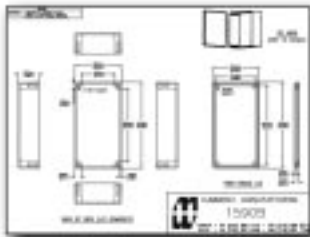
- 1591Z6 - Package of 6
- 1591Z50 - Package of 50
- 1591Z100 - Package of 100



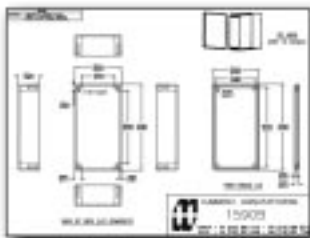
www.hammondmfg.com



We have attempted to make this one of the easiest catalogs in the industry to use! By doing so, we decided not to print all - part by part “detail” dimensions of each model. We are focusing on our website as **THE** central location for this type of information. Our goal, is that it will become one of your favorite tools when choosing enclosures, transformers & outlet strips! A summary of what is available on our site:



Individual part number dimension drawings in color, downloadable in Adobe Reader PDF format . Readable and printable in high resolution!



Individual part number dimension drawings in AutoCAD formats...

AND

- Color photo tables with thumbnail previews for each part number...
- Distributor locations and links - we have teamed up with the best in the industry to bring you our products **fast**. Many complete with “on-line” order entry...
- NEW products, technical data, engineering bulletins, etc. for fast downloading...
- FAST e-mail links to our marketing department to order our other product catalogs...
- Links to other Hammond Manufacturing divisions...
- and much, much more....even a link to the fascinating Hammond “Museum of Radio”

Accessories



CANADA
Guelph, Ontario (519) 822-2960
St. Laurent, Quebec (514) 343-9010
USA
Cheektowaga, NY (716) 651-0086



EUROPE
Basingstoke, UK +44 1256 812812

AUSTRALASIA
Queenstown, SA, Australia +61 8 8240 2244

Technical Information

Properties of Plastic Materials							
Property	Units	Test Method	ABS	ABS Flame Retardant	Polystyrene	Poly-carbonate	Fiber Reinforced Polyester
Mechanical Properties							
Tensile strength @ yield	PSI	ASTMD638	5890	5250	3200	10000	6000
Tensile elongation @ break	%	ASTMD638	22	15	50	100	0.5
Tensile modulus	PSI	ASTMD638	290,000	260,000	285,000	810,000	1,600,000
Flexural modulus	PSI	ASTMD790	290,000	260,000	285,000	810,000	1,600,000
Flexural Strength	PSI	ASTMD790	8200	6800	18100	17000	15000
Izon impact (1/8") - notched	FT LB/IN	ASTMD256	4.5	3.9	2.1	16	4.5
Specific gravity - solid	-	ASTMD792	1.04	1.22	1.17	1.2	1.95
Hardness, Rockwell R	R	ASTMD785	100	100	40	118	40
(Bercol Scale)							
Thermal Properties							
Melt index	GM/10-MIN	ASTMD1288	3	4	3	7	-
Heat Deflection Temp @455 KPA	°F(C)	ASTMD648	205(96)	185(85)	188(87)	284(140)	392(200)
Heat Deflection Temp @1820 KPA	°F(C)	ASTMD648	181(83)	165(74)	-	268(131)	-
Vican softening temperature	°F(C)	ASTMD1525	217(103)	190(88)	203(95)	310(154)	-
Flame characteristics	-	UL94	HB	VO	HB	HB	VO
Thermal conductivity	W/M.C	ASTMC177	0.19	-	0.16	0.19	0.001
Electrical Properties							
Specific volume resistance	Ohm/cm	ASTMD257	10 E15	10 E13	10 E16	10 E16	10 E15
Dielectric strength	V/MIL	ASTMD149	140	400	215	160	400
Other Properties							
Water absorbtion	%	ASTMD570	0.3	-	0.1	0.15	0.16
* Material classified 94HB is combustible!							
Values noted above are typical values for reference only. These values may vary between material manufacturers and within normal manufacturing tolerances.							

Resistance of material to different media				
Material	Polystyrene	ABS	Flame Retard.ABS	Poly-carbonate
Gasoline	-	0	0	-
Diesel Oil	-	+	+	0
Sea Water	+	+	+	-
Hydrochloric Acid, 10%	+	+	0	+
Weak Alkaline	+	+	+	-
Strong Alkaline Solution	+	+	+	-
Atmospheric Influences	0	0	0	+
Lactic Acid	+	+	+	+
Acetone	-	-	-	-
Value at room temperature: + = stable, 0 = relatively stable, - = unstable				
Simultaneous exposure to different media may alter the resistive properties of a material! To be safe, it is advisable to test the cases for sufficient resistance to the material under the condition of the specific application.				

Flammability Rating

94 V-O

Test samples are extinguished within 5 seconds average time. None of the test samples burn longer than 10 seconds. No test samples emit burning particles.

94 V-1

Test samples are extinguished within 25 seconds average time. None of the test samples burn longer than 60 seconds. No test samples emit burning particles.

94 V-2

Similar to 94 V-1, except test samples emit burning particles during the test. The test sample is extinguished in all cases mentioned above. If the sample continues to burn after 25 seconds a horizontal test can be performed to meet classification.

Degree of protection - "IP" Codes Information

Example:

IP 55



I.P. Protection Classification		
Degrees of contact prevention and guarding against foreign objects		
1st I.P. Digit	Designation	Explanation
0	No protection	No protection of personnel from direct contact with active or moving parts. No protection from access of solid foreign object.
1	Protection against large foreign bodies	Protection of personnel from accidental large area direct contact with active or internal moving parts (hand contact etc.) but no guard against intentional access to such parts. Protection from access of solid foreign object larger than 12 mm in diameter.
2	Protection against medium foreign bodies	Protection of personnel from finger contact with active or internal moving parts. Protection from access of solid foreign object larger than 12 mm in diameter.
3	Protection against small foreign bodies	Protection of personnel from touching active or internal moving parts with tools, wires or similar foreign objects thicker than 2.5 mm. Protection from access of solid foreign matter larger than 2.5 mm in diameter.
4	Protection against granular foreign bodies	Protection of personnel from touching active or internal moving parts with tools, wires or similar foreign objects thicker than 1 mm.
5	Protection from deposit of dust	Total protection of personnel from touching voltage carrying or internal moving parts. Protection from harmful deposit of dust. Access of dust is not completely prevented.
6	Protection from access of dust	Total protection of personnel from touching voltage carrying or internal moving parts. Protection from access of dust.

I.P. Protection Classification		
Degrees of water protection		
2nd I.P. Digit	Designation	Explanation
0	No protection	No special protection
1	Protection against water dripping vertically	Water drops falling vertically must not have any harmful effect.
2	Protection against water dripping off vertically	Water drops falling at any angle up to 15° from the vertical must not have any harmful effect.
3	Protection against spray water	Water drops falling at any angle up to 15° from the vertical must not have any harmful effect.
4	Protection against splash water	Water splashing against the object from all directions must not have any harmful effect.
5	Protection against jet water	A jet of water nozzled from all directions must not have any harmful effect.
6	Protection against flooding	Water from temporary flooding, such as heavy seas, must not enter in any harmful quantity.
7	Protection in dipped state	If the object is dipped into water under the defined conditions of pressure and time, water must not enter it in any harmful quantity.
8	Protection in submerged state	If the object is submerged in water, water must not enter in any harmful quantity.



CANADA
 Guelph, Ontario (519) 822-2960
 St. Laurent, Quebec (514) 343-9010
USA
 Cheektowaga, NY (716) 651-0086



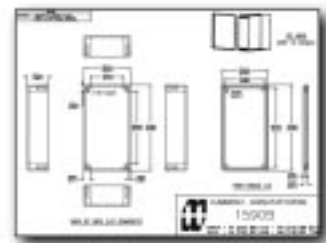
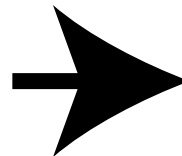
EUROPE
 Basingstoke, UK +44 1256 812812
AUSTRALASIA
 Queenstown, SA, Australia +61 8 8240 2244

Series Index

Description	Page	Description	Page	Description	Page
1401.....	78	1555.....	8,9	1596.....	47
1402.....	76,77	1590.....	50,51	1597.....	35
1411.....	95	1590 bottom flange.....	54,55	1598 ABS.....	42,43
1412.....	95	1590 flanged lid.....	52,53	1598 polystyrene.....	44,45
1415.....	96	1590 PC card guides.....	56,57,58	1599.....	36,37,38,39
1421T.....	105	1590 watertight.....	62,63	500-519.....	92,93
1426.....	79	1590 watertight with bottom flange.....	66,67	BH.....	36,40
1427.....	101,102,103,104,105,107	1590 watertight with flanged lid.....	64,65	BS.....	36,40
1431.....	97	1590Z.....	68,69,70,71	DIN Clips.....	107
1434.....	98	1590ZGRP.....	34	Flange Kits.....	108
1441.....	97	1591 ABS.....	14,15	Handles.....	101,102,103,104
1444.....	98	1591 bottom flange.....	22,23	Hardware.....	106,107
1451.....	99	1591 clear lid.....	14,16,22	M.....	102,103,104,105
1452.....	80	1591 flanged lid.....	18,19,20,21	Modifieds.....	CVR3
1453.....	87	1591 polystyrene.....	16,17	RMCP.....	75
1454.....	81	1591 translucent.....	12,13	RMCS.....	74,75
1455.....	82,83,84,85,88	1592.....	24,25	RMCV.....	74,75
1456.....	88,89,90,91	1593.....	26,27,28,29	RMP.....	75
1458.....	86	1594 ABS.....	30,31	SCEM.....	94
1551.....	10,11	1594 polystyrene.....	32,33	Screws.....	107
1554.....	4,5,6,7	1595.....	41	Technical Information.....	110,111

NEED MORE INFORMATION?

For detailed drawings, CAD files and color photos visit our website at:
www.hammondmg.com



K99

RCS



CANADA

Guelph, Ontario (519) 822-2960
 St. Laurent, Quebec (514) 343-9010

USA

Cheektowaga, NY (716) 651-0086



EUROPE

Basingstoke, UK +44 1256 812812

AUSTRALASIA

Queenstown, SA, Australia +61 8 8240 2244

a factory modified Hammond enclosure!

- Fast turnaround on prototypes...
- Start-up quantities through full "production" runs...

Machining

Silk Screening

Hot Stamping

Special Colors

Custom Materials



Easy to quote and order!

- Mark up the drawings in this catalog & fax or mail, or....
- Mark up our PDF drawings downloadable from our website, or...
- Modify our AutoCAD files downloadable from our website...
- and e-mail us at: modifieds@hammondmfg.com



HAMMOND MANUFACTURING™



CANADA

Hammond Mfg. Co. Ltd.
394 Edinburgh Rd., North
Guelph, Ontario N1H 1E5
Tel: (519) 822-2960
Fax: (519) 822-0715

EUROPE

Hammond Electronics Limited
1 Onslow Close
Kingsland Business Park
Basingstoke
RG24 8QL
United Kingdom
Tel: +44 1256 812812
Fax: +44 1256 332249

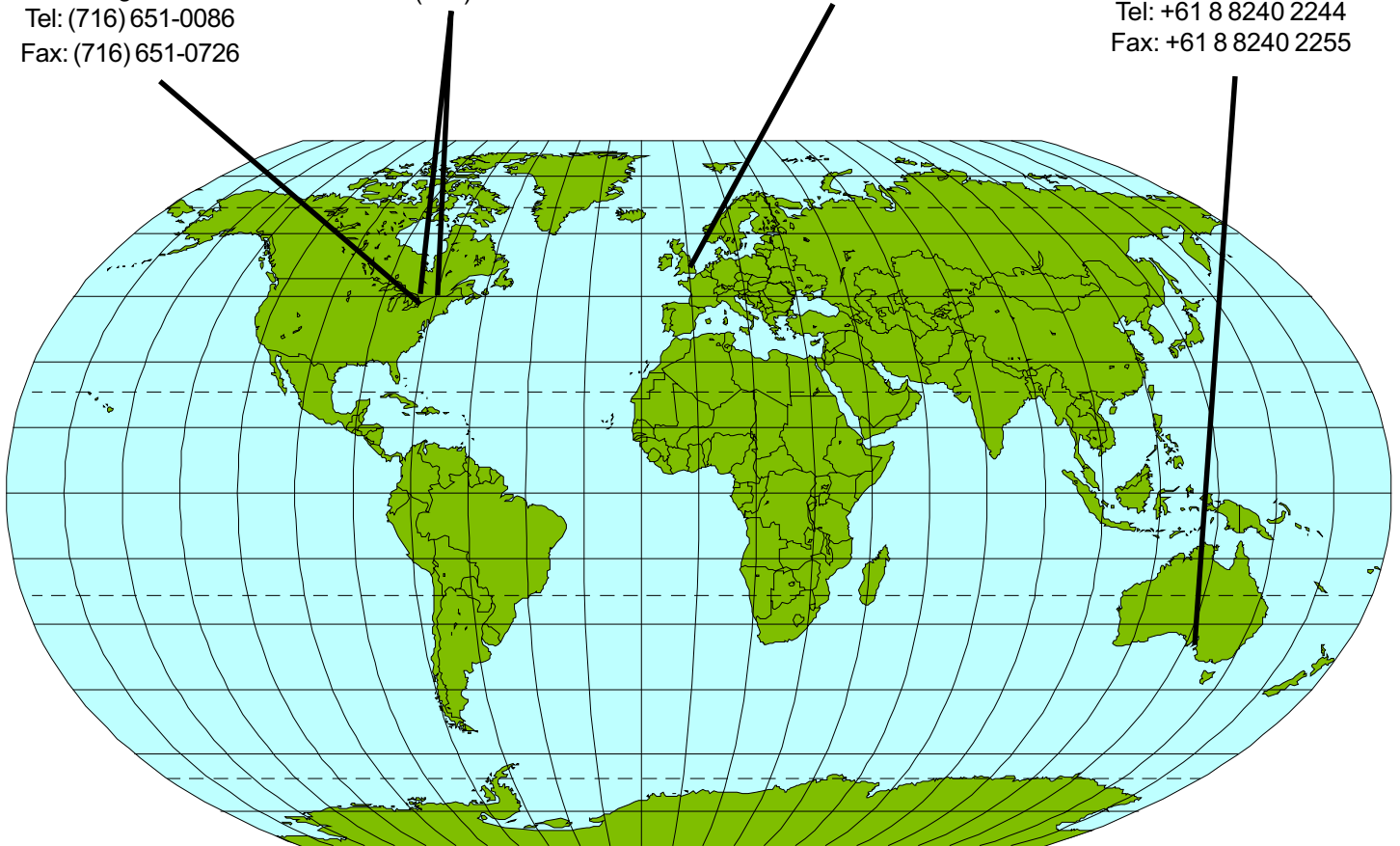
AUSTRALASIA

Hammond Electronics Pty. Ltd.
11 - 13 Port Road
Queenstown, SA 5014
Australia
Tel: +61 8 8240 2244
Fax: +61 8 8240 2255

USA

Hammond Mfg. Co. Inc.
256 Sonwil Dr.
Cheektowaga, NY 14225
Tel: (716) 651-0086
Fax: (716) 651-0726

Les Fabrications Hammond
(Quebec) Inc.
4240 Seré Street
St. Laurent, Quebec H4T 1A6
Tel: (514) 343-9010
Fax: (514) 343-9941



www.hammondmfg.com