

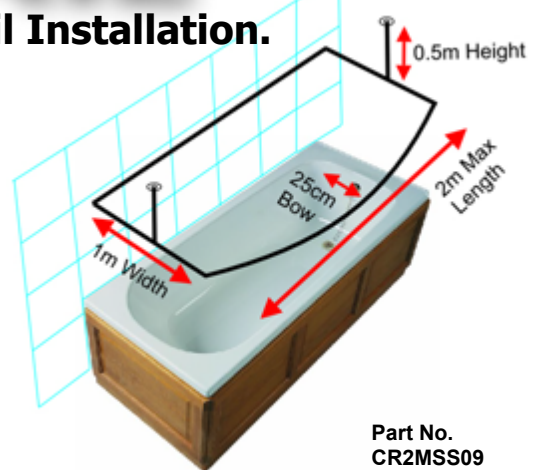
# SHOWER RAIL

Available from  
www.byrettech.com

## Crescent Rod to 'O' To Ceiling Straight Rail Installation.

### Tools required to complete the installation.

- Electric Drill with 8mm masonry drill bit
- Suitable Hex Screwdriver
- Masking tape to ensure tiles are not damaged when drilling
- Stainless Steel suitable hacksaw & blade
- Spirit level to get rail level
- Tape measure



Part No.  
CR2MSS09

## Installation instructions

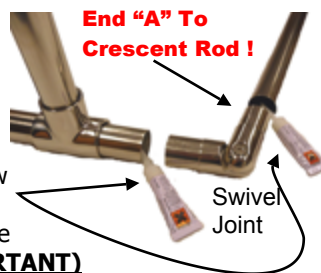
• Measure up from the **inside base of the bath approximately 190 cm** as this is the **ideal height** for your shower curtain rail. From this point measure up to the ceiling and this will give you your height for the ceiling supports.

**(Note. This is so the rail and new curtain fit perfectly, as shower curtains are normally 180cm drop from shower rail - Cut Curved Rail equally amount each end)**

• Decide on the optimum length and width of your shower rail and using a hacksaw cut the stainless steel rails to size. **( Tip - Rails should be slightly shorter than the length and width of your bath ) Fit the rail together on a flat surface to check it assembles OK**

• Push the "T" pieces onto the 1m long tubes at this stage "d"

• Clean 2cm inside of the tubes and also the swivel joint with a **clean cloth. Note - Take Care there may be sharp metal exposed at the ends.** Test the swivel joint fits into the tubes before adding glue. **On a flat surface** add a few drops to the **inside of each tube.** Push swivel joint into the Crescent Rod and straight Rod and elbows, again make sure the rail is on a **flat surface** when the glue sets. **(VERY IMPORTANT)**



• Measure and cut the vertical ceiling supports "**c**" so as you get a 190cm drop from the rails horizontal to the bottom of the bath.

**Note. If not screwing into a joist it is advisable to brace your ceiling behind the plasterboard to ensure a solid fit.**

**You will need an 8mm masonry drill bit to go through your ceiling plasterboard**

• Fix masking tape to the area where you will fix the brackets "**c**" on your ceiling. Carefully mark and drill the six holes for the brackets, then add the rawplugs and fix to ceiling brackets "**c**" to the ceiling.

• Insert assembled rail into ceiling brackets "**c**" then check that the rail is level using a spirit level.

• Re-assemble the rail on to the ceiling and fix using the allen screws provided.

• Tighten all allen screws on all brackets and "T" piece with the allen key provided to finish your installation.



• 1.9m approx height from bottom of bath to shower rail

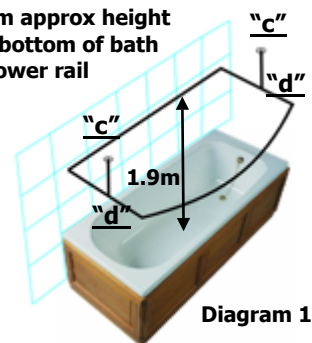


Diagram 1.

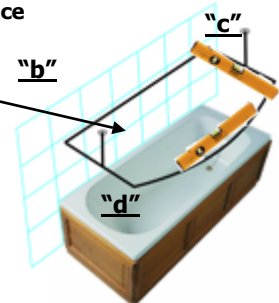
- Tape up area with masking tape
- Mark & drill holes using an 8mm masonry drill walls / 8mm ceiling
- Add rawplugs & fix bracket to tiled wall

"c" Ceiling fixings

**Note. you may need to brace your ceiling behind the plasterboard before fixing.**



- Ensure rod is level and straight
- Mark new bracket and repeat above procedure then fix rail in place



**Byrettech Ltd**  
The Bathroom Water Damage Prevention specialists

Byrettech Ltd  
Unit 51 Padgets Lane, South Moons Moat,  
Redditch, Worcestershire B98 0RD UK.  
Phone: +44 (0) 1527 522 522 Fax: +44 (0) 1527 522 111  
E-mail: info@byrettech.com Web: www.byrettech.com