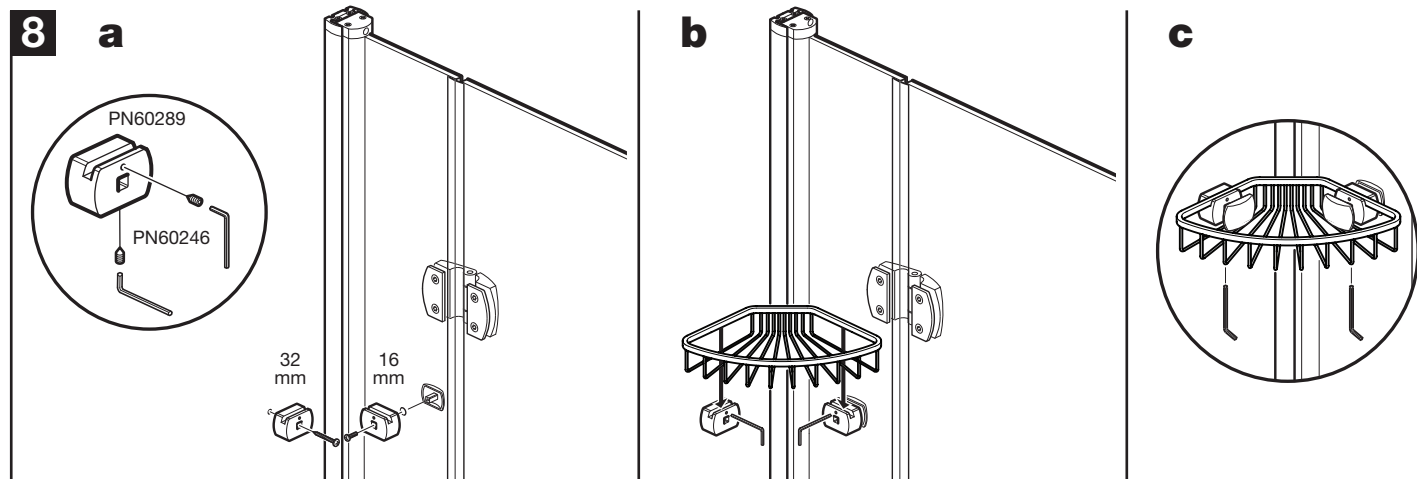


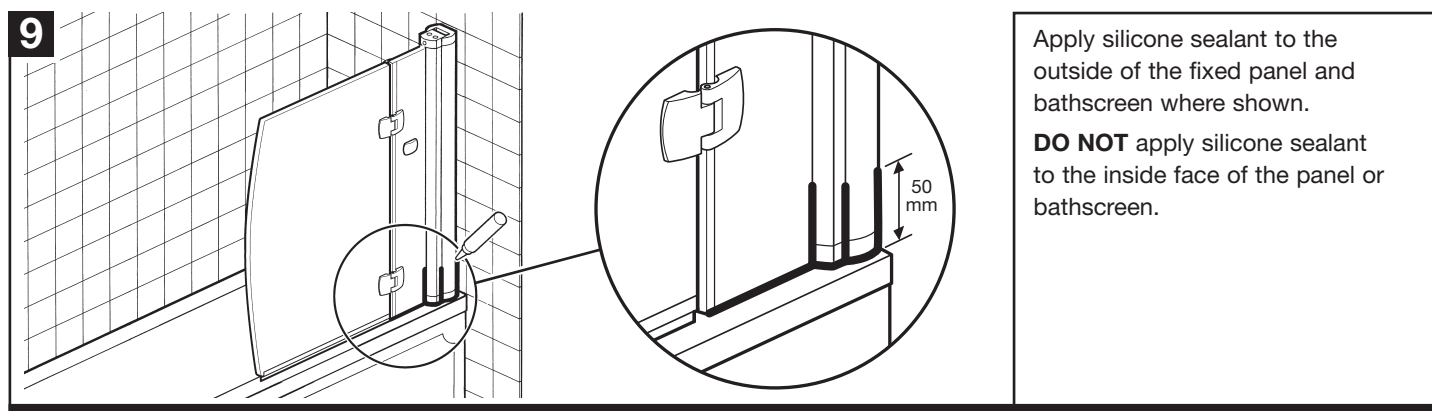
**a:** Measure up 850mm from the top of the bath and 120mm in from the wall channel and mark the drill hole position onto the wall.

Place masking tape against the wall before you mark hole position.

**b:** Drill a 6.5mm hole to a depth of 30mm. Insert the wall plug.



**a:** Partially insert grub screws into both brackets. Attach a bracket to the fixed panel, fixing through the bracket into a bracket cover using the 16mm screw, **do not over tighten**. Fix the remaining bracket to the wall using a 32mm screw, do not over tighten. **b:** Position the basket down onto the brackets and tighten the grub screws. **c:** Push on the bracket covers and tighten the grub screws from below.



Apply silicone sealant to the outside of the fixed panel and bathscreen where shown.

**DO NOT** apply silicone sealant to the inside face of the panel or bathscreen.

### ⚠ CARE AND MAINTENANCE

**IMPORTANT:** You must not use the bath or shower for 24 hours after installation of the bathscreen.

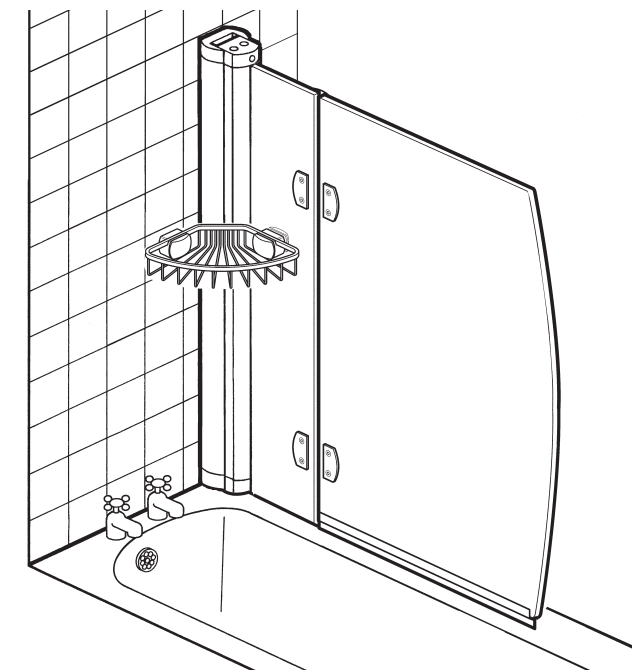
**DO NOT** use bleach, scouring powders, solvents or other aggressive cleaning agents. To clean, use warm soapy water and a clean cloth and rinse off.

**DO NOT** apply weight or pressure to the bathscreen.

**DO NOT** swing the bathscreen violently.

Periodically check all fixings and fittings and tighten if necessary.

# PAD HINGE BATHSCREEN WITH BASKET



*Please read these instructions carefully and keep for future reference.  
Incorrect fitting will invalidate the guarantee.*

### ⚠ SAFETY

- Handle glass with great care. Although the glass is very tough, sharp impacts can damage the bathscreen.
- As the parts are heavy, we recommend that two people are needed to carry out parts of the installation.
- Make sure there are no hidden pipes or cables hidden in the wall where you intend to drill.
- Wear safety goggles, shoes and appropriate clothing.

### ⚠ BEFORE INSTALLATION

- Check the bath is perfectly level and does not sag or bow when you stand or sit in it.
- The bathscreen must only be fitted on water proof walls i.e. tiled walls which are sealed with waterproof grout.
- Check that the bath has a flat top edge with no protruding handles, which could interfere with the movement of the bathscreen.
- Always check very carefully that components are vertical.
- Please correctly dispose of packaging properly after installation.
- To avoid damage, use the opened out packaging to assemble the bathscreen on.

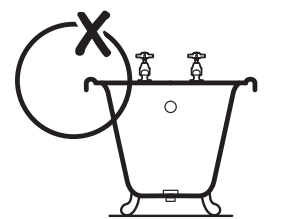
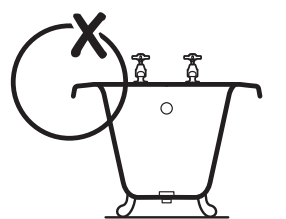
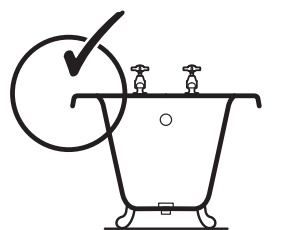
### Equipment needed:

Drill, 6.5mm Masonry Bit, 4.5mm Metal Bit (general), Crosshead Screwdriver, Spirit Level, Pencil, Silicone Sealant, Tape Measure, Masking Tape.

**Note:** The screws and wall plugs supplied are for masonry walls. For lightweight walls i.e. stud partition, plasterboard etc, use the correct type of fixings.

### IMPORTANT

Bathscreens should not be fitted to drop-fronted baths or baths with lipped fronts (see diagrams below).



**CUSTOMER CARELINE: 01746 713410**

*This product is protected by UK Patent App. No. 0403656.2*

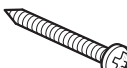
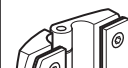
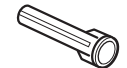







**A PRODUCT OF THE CORAM GROUP OF COMPANIES**

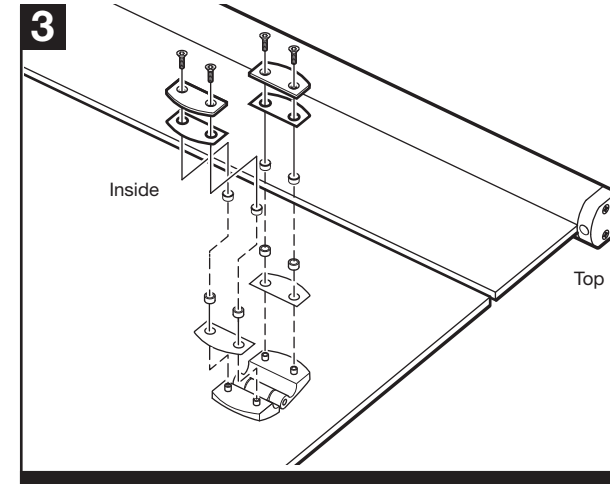
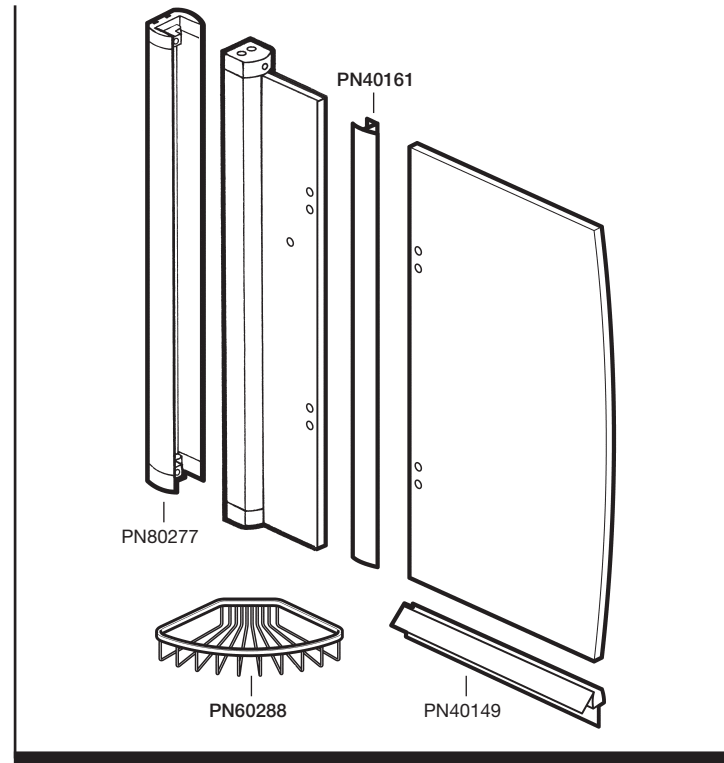
Coram Showers Ltd. Stanmore Industrial Estate, Bridgnorth, Shropshire WV15 5HP, UK • Tel: 01746 766466 • Fax: 01746 764140

www.coram.co.uk

Check contents of pack before installation.  
If there is anything missing, contact our Customer Careline for assistance.

**CUSTOMER CARELINE: 01746 713410**

	PN8203	4		PN80451	2
	PN3230	4		PN60290	3
	PN60017	1		PN60289	2
	PN60246	4		Bracket	1
	Small & Large	1/1		PN4745	1

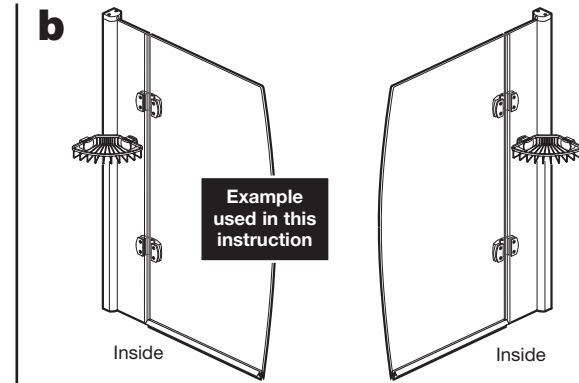
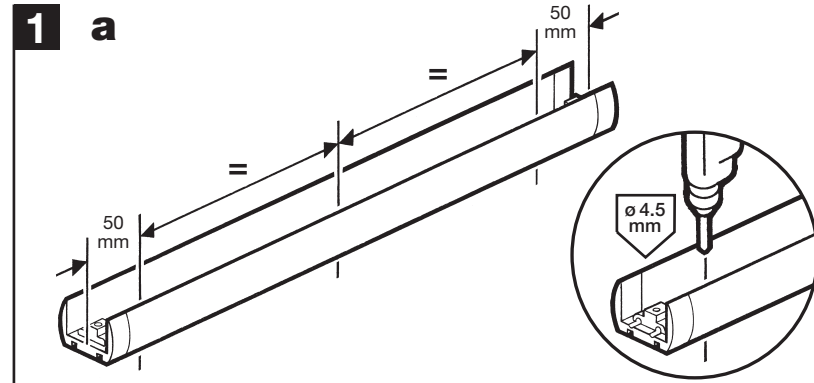


To avoid damage, use the opened out packaging to assemble the bathscreen on.  
Attach the hinge assemblies to the fixed panel and bathscreen.

**IMPORTANT:** The bathscreen **MUST** pivot out from the bath and **MUST** be level with the top of the fixed panel.

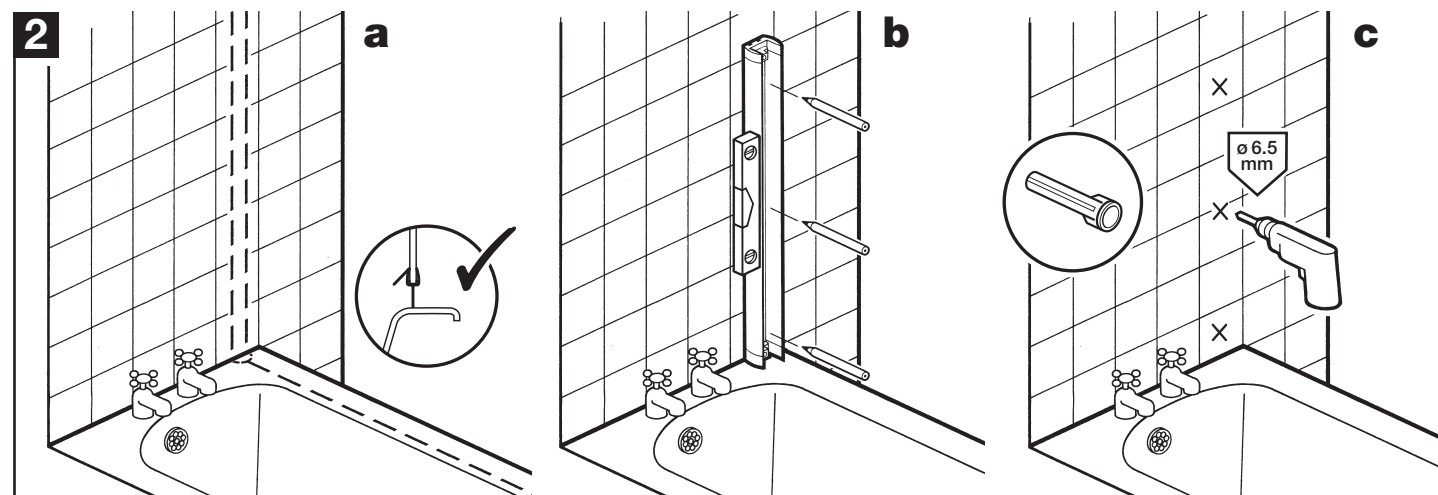
Ensure the clear rubber pads are against both sides of the glass.

Tighten using the large allen key but **do not over tighten**.



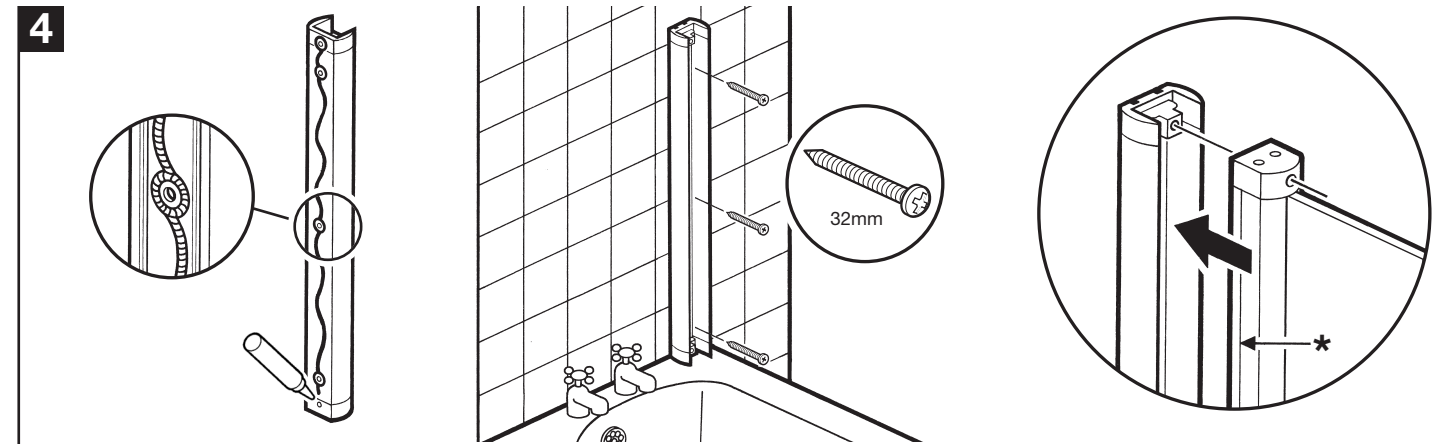
**a:** Drill three holes in the wall channel (PN80277) at points shown using a 4.5mm drill bit, through the grooved centre line.

**b:** Plan the opening side of the bathscreen before assembly (shown in step 3). The hinges **MUST** attach to the out side of the bath with the hinge pads on the inside as shown (do not assemble yet).



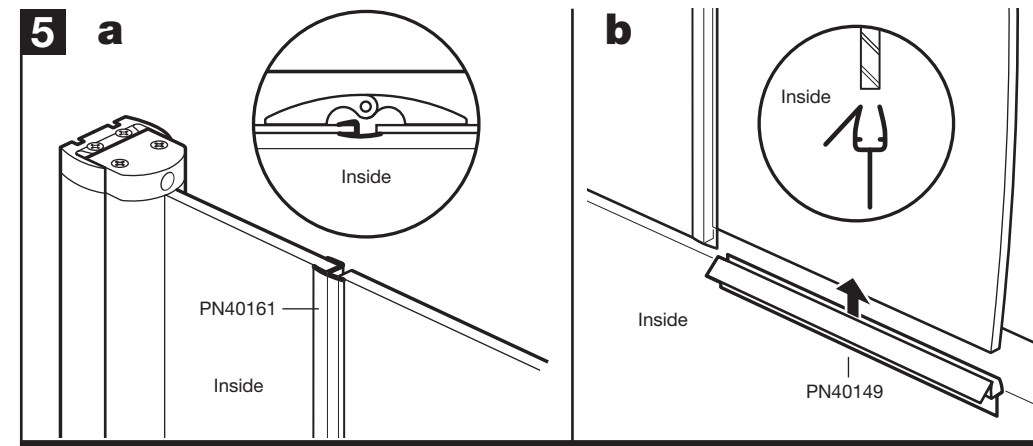
**a:** Position the fixed panel and bathscreen as far towards the inner edge of the bath as possible while being supported on the bath rim.

**b:** Position the wall channel, ensure it is perfectly vertical and mark off the drill hole positions against the wall. Place masking tape against the wall before you mark hole positions. **c:** Drill 6.5mm holes to a depth of 30mm. Insert wall plugs.



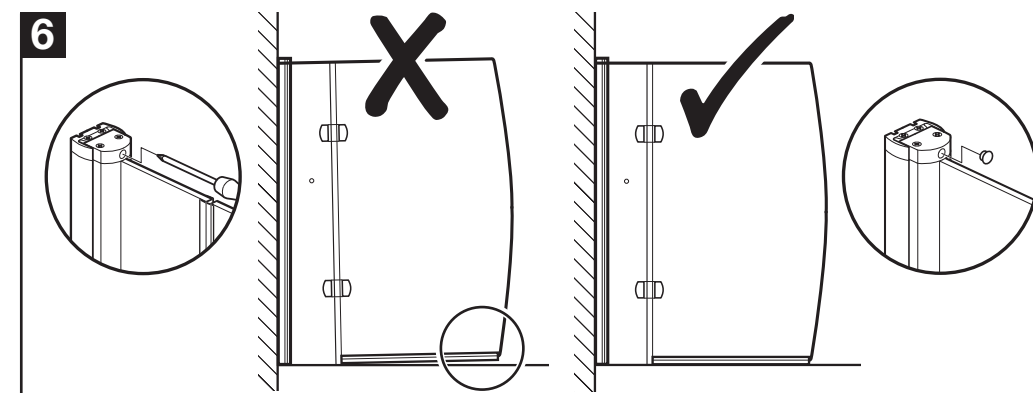
Apply silicone sealant to back of wall channel as shown. Fix wall channel to wall using the 32mm screws.

Insert the bathscreen assembly into the wall channel fully tightening the top screw. The fixed panel **MUST** insert into the wall channel beyond the line marked (\*).



**a:** Push fit the vertical seal onto the edge of the fixed panel with the 'flap' on the inside of the screen. Trim to length if required.

**b:** Push fit the horizontal seal to the bottom of the bathscreen ensuring the seal 'flap' is on the inside of the screen. Trim to length if required.



Adjust the bathscreen by tightening or loosening the screw at the top so that when opened, the bottom seal gently brushes the bath rim evenly along its length.

**IF THE SEAL IS TOO TIGHT ON THE BATH THE BATHSCREEN MAY LEAK.**

Push fit the screw cap into position.