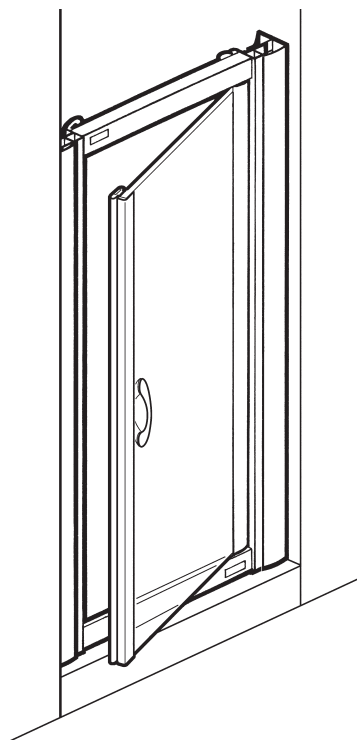


PREMIER PIVOT DOOR



***Please read these instructions carefully and keep for future reference.
Incorrect fitting will invalidate the guarantee.***

SAFETY

- Handle glass with great care. Although the glass is very tough, sharp impacts can damage both the glass and metal frame.
- Make sure there are no hidden pipes or cables hidden in the wall where you intend to drill.
- Wear safety goggles, shoes and appropriate clothing.

BEFORE INSTALLATION

- Check that the shower tray is level in all directions. The enclosure will not sit correctly on an uneven surface. If uneven, the wall channels may not fit and the doors may not shut correctly.
- The enclosure should be fitted on tiled walls which are sealed with waterproof grout.
- There must be a good silicone seal between the rim of the shower tray and the wall.
- The shower tray and the enclosure must match in size. Attempting to fit the incorrect size of enclosure to the shower tray will result in water leaks.
- Always check very carefully that components are vertical.
- To avoid damage, use the opened out packaging to build the enclosure on.

Equipment needed:

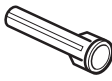

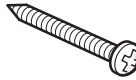


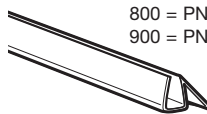
Drill, 6.5mm Masonry Bit, 4.5mm & 3mm Metal Bits (general), Crosshead Screwdriver, Spirit Level, Pencil, Tape Measure, Masking Tape, Silicone Sealant.

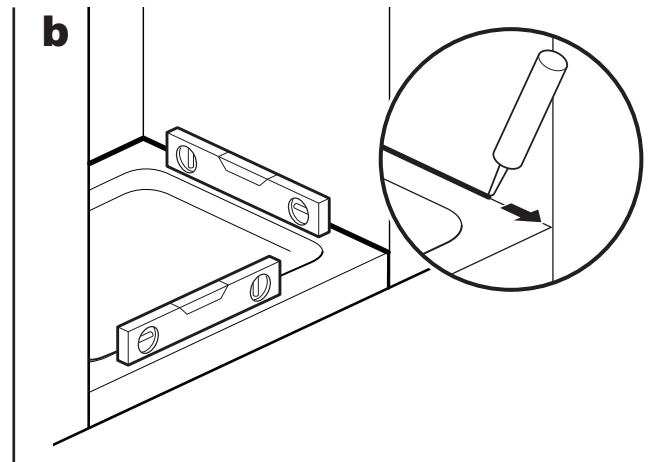
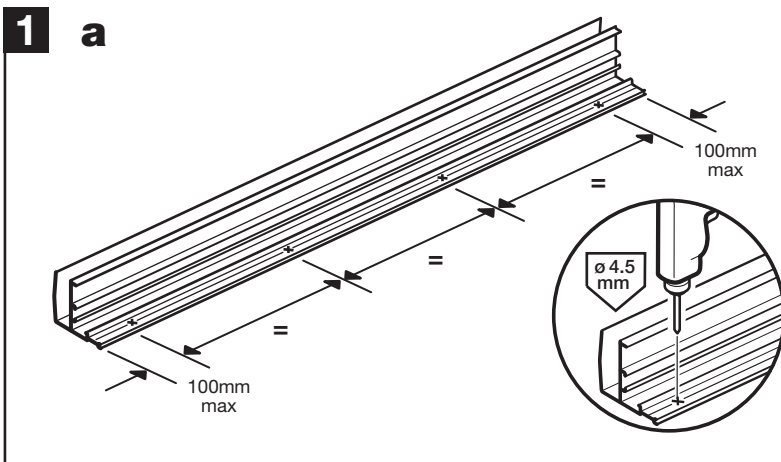
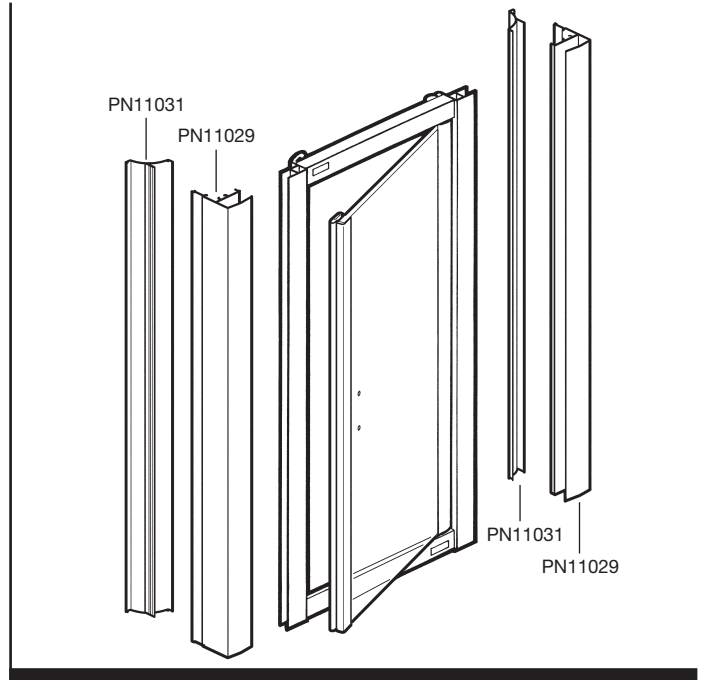
Note: The screws and wall plugs supplied are for masonry walls. For lightweight walls i.e. stud partition, plasterboard etc, use the correct type of fixings.

CUSTOMER CARELINE 01746 713410

Check contents of pack before installation. If anything is missing, contact our Customer Careline for assistance.

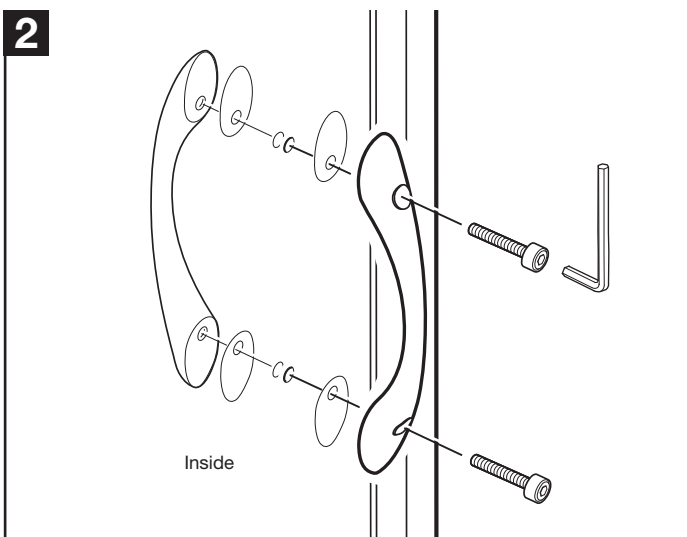
CUSTOMER CARELINE: 01746 713410

PN3230 	8	PN50359 	6
PN3225 	8	PN60220 	1
32mm PN3222 	6	700 = PN40222 760 = PN40223 800 = PN40224 900 = PN40225 	1
10mm			

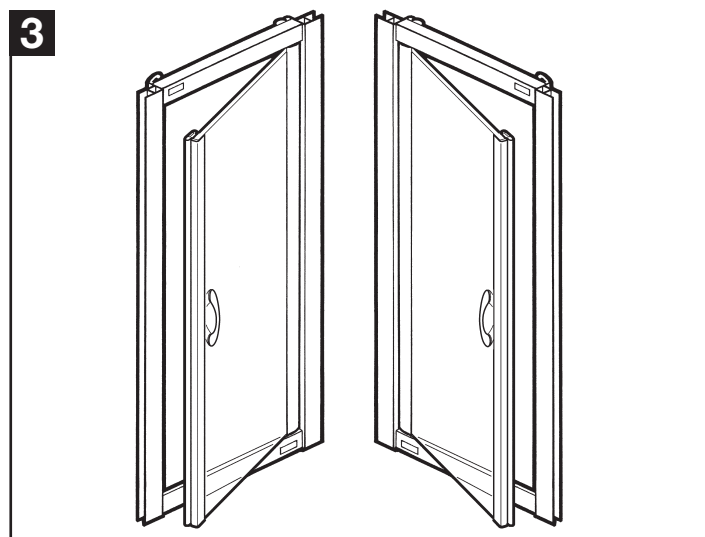


a: Drill holes in both wall channels at points shown (in the groove) using a 4.5mm drill bit.

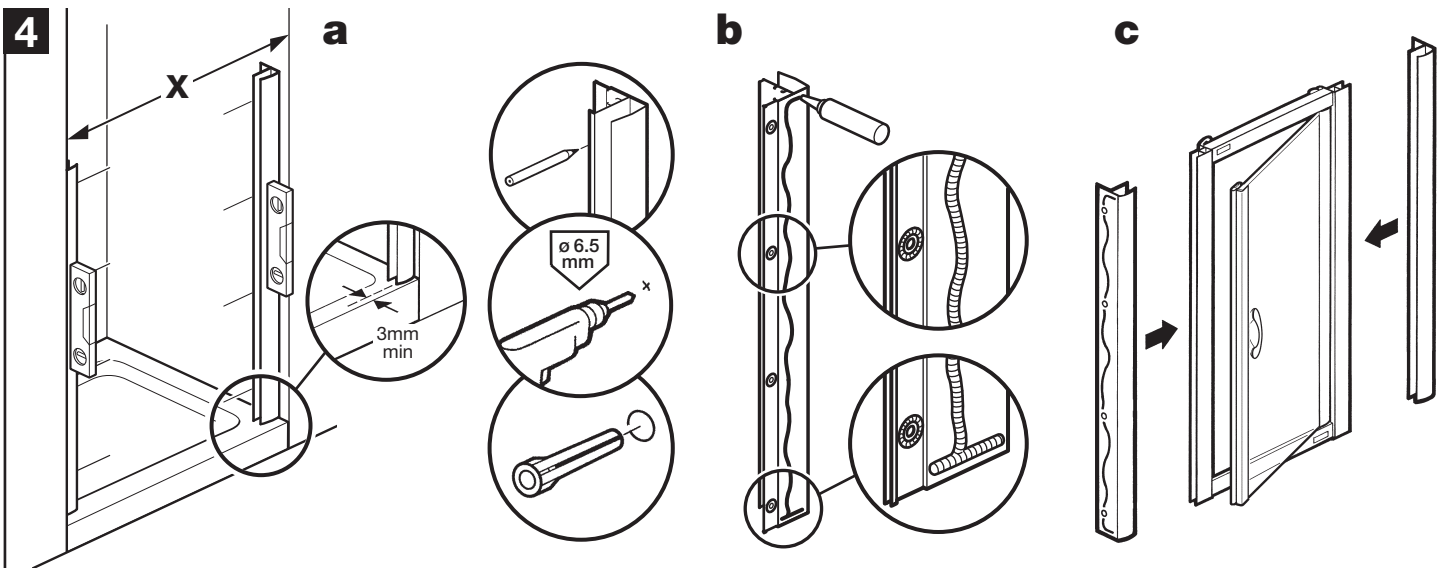
b: Ensure the shower tray is level in all directions. **IMPORTANT:** Clean the tray and seal the gap between the tray surface and tiles. It is important that the tray is sealed right up to the tray edge so that the bottom of the wall channel is sealed. Failure to do this will cause water to leak under the wall channel and between the tray and tiles, resulting in damp patches on the wall and under the tray.



Fit the door handles to the door with the allen bolts on the inside of the door. Ensure the rubber washers are placed between the handles and the glass. **Do not over tighten.**



Choose which side you want the door to open at (turn the door over if necessary).

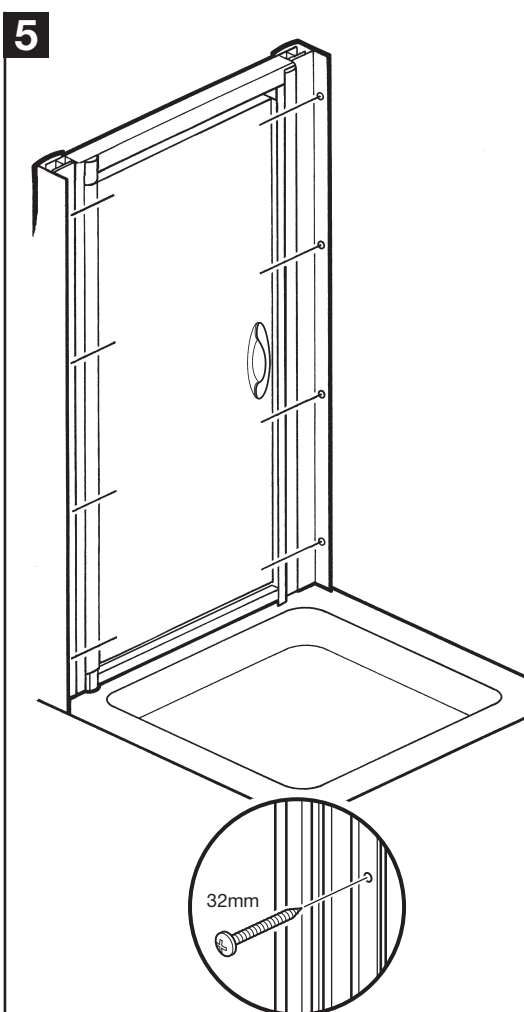


X = Door widths - 700 Door = 650 - 700mm • 760 Door = 710 - 760mm • 800 Door = 750 - 800mm • 900 Door = 850 - 900mm

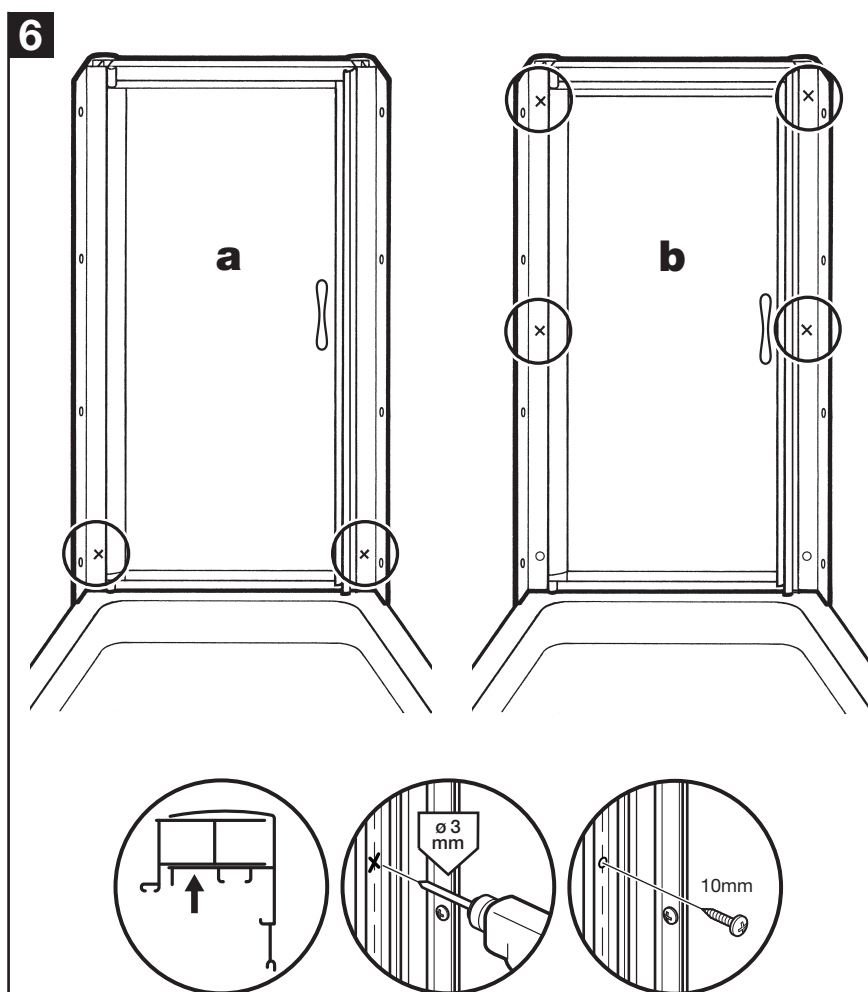
a: Place wall channels on the tray ensuring they are vertical and a minimum of 3mm back from the front of the tray. Place masking tape against the wall before marking drill hole positions, this will help prevent the drill bit slipping. Drill 6.5mm holes, 30mm deep and insert the wall plugs.

b: Apply sealant to the back of the wall channels and around the fixing holes.

c: Place the wall channels onto the door.

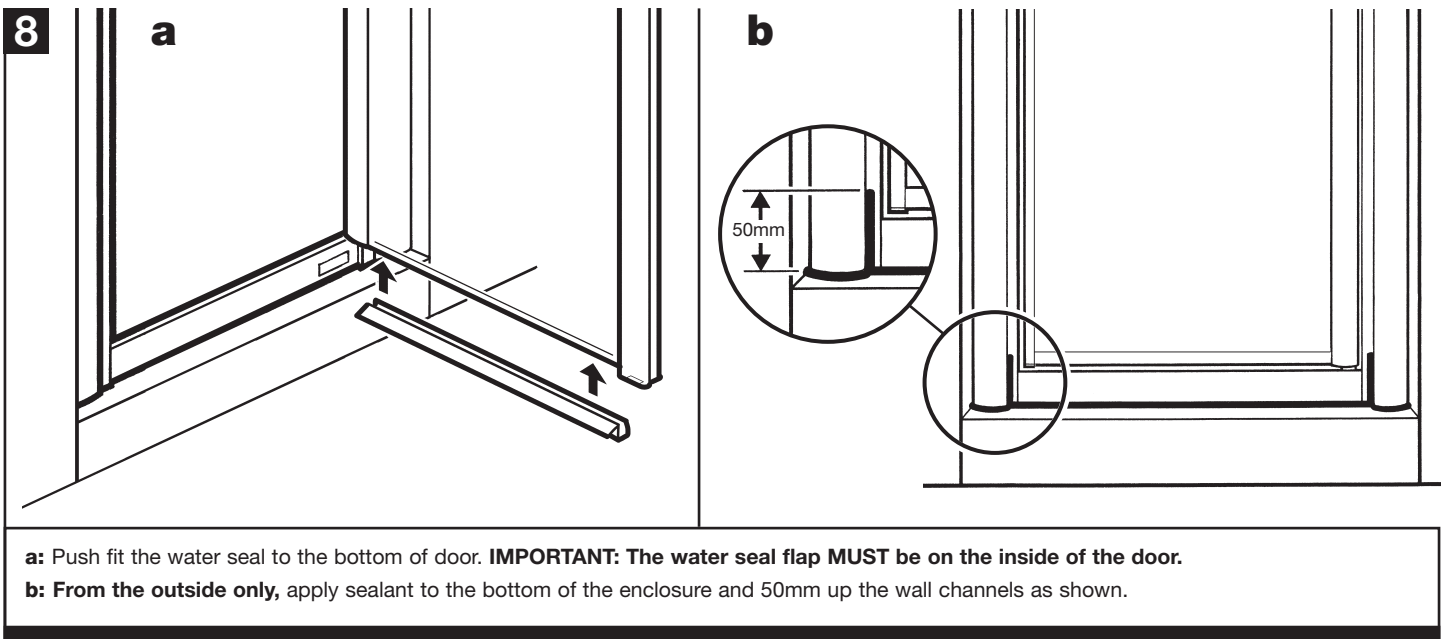
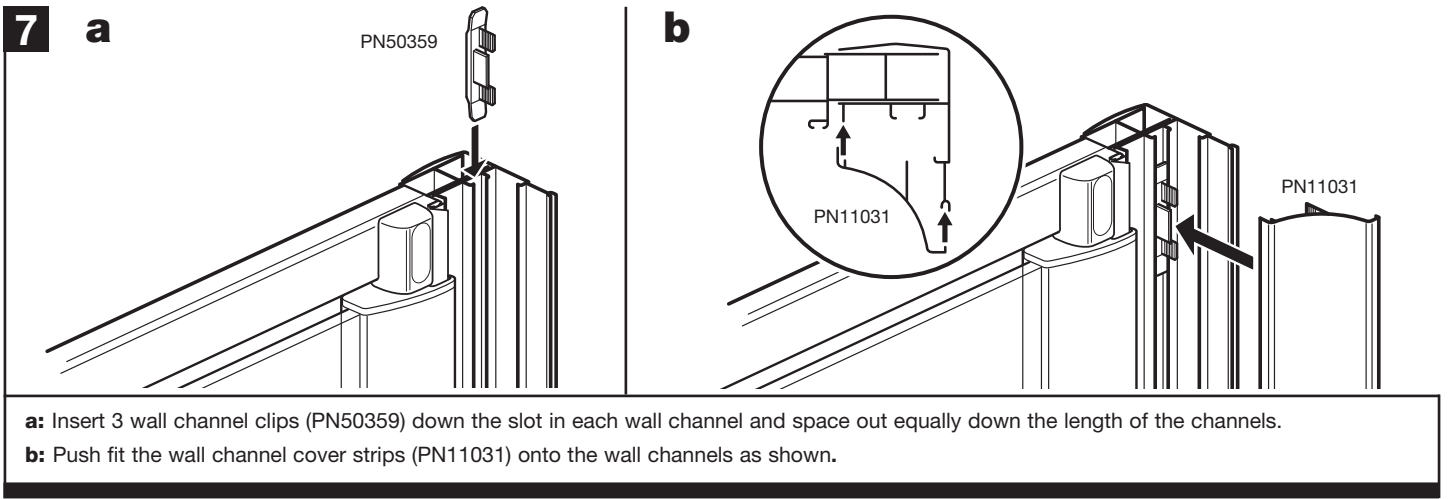


Place the door in position on the tray, fix the wall channels to the walls using 8 x 32mm screws.



a: Check that the door is centrally positioned and perfectly vertical. Drill inside of the wall channels (in the groove) using a 3mm drill bit in the two lower positions shown. Fix using 2 x 10mm screws.

b: Check the door is vertical, drill the next 4 holes and fix using 4 x 10mm screws.



Recycling

Packaging:- The cardboard and polythene parts of this packaging can be recycled.

End of life:- This product contains materials such as aluminium and glass which can be recycled.

Please contact your local authority to find your nearest recycling centre.

IMPORTANT: You must not use the shower for 24 hours after installation of the enclosure.

DO NOT use bleach, scouring powders, solvents or other aggressive cleaning agents. To clean, use warm soapy water and a clean cloth and rinse off.

Please note: There has been a glass coating applied to this product, use a squeegee to remove water and debris. Periodically check all fixings and tighten if necessary.

CORAM SHOWERS LTD

Stanmore Industrial Estate, Bridgnorth, Shropshire WV15 5HP, UK • Tel: 01746 766466 • Fax: 01746 764140 • www.coram.co.uk