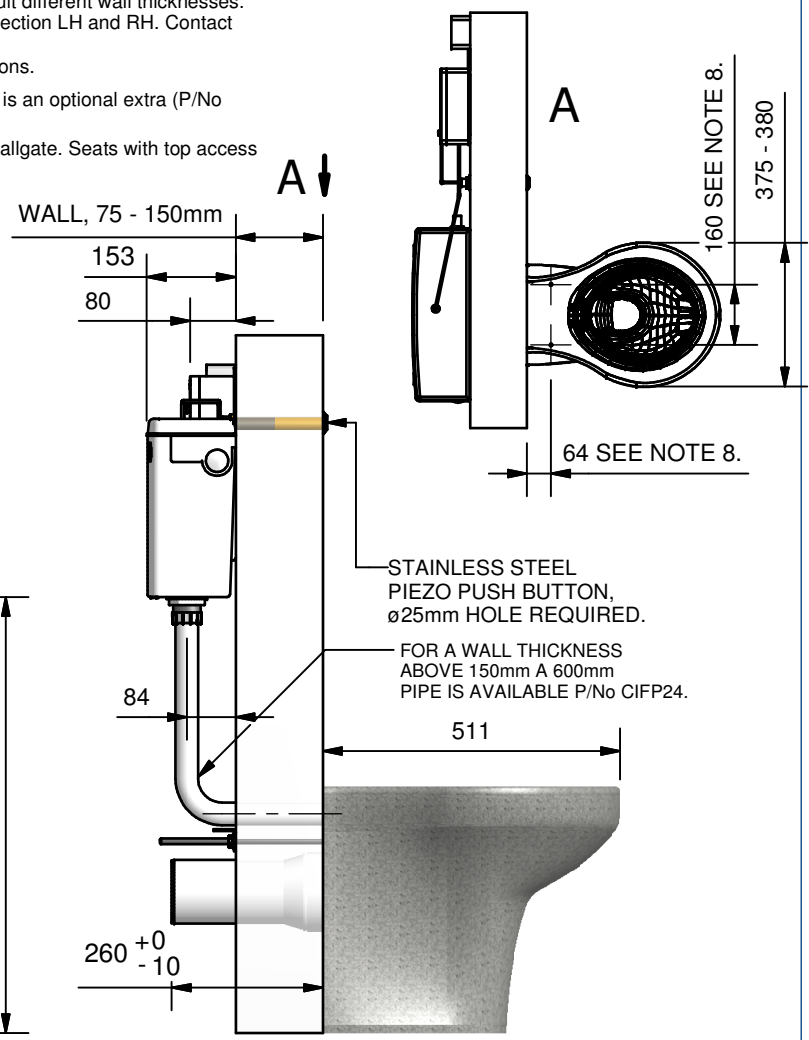
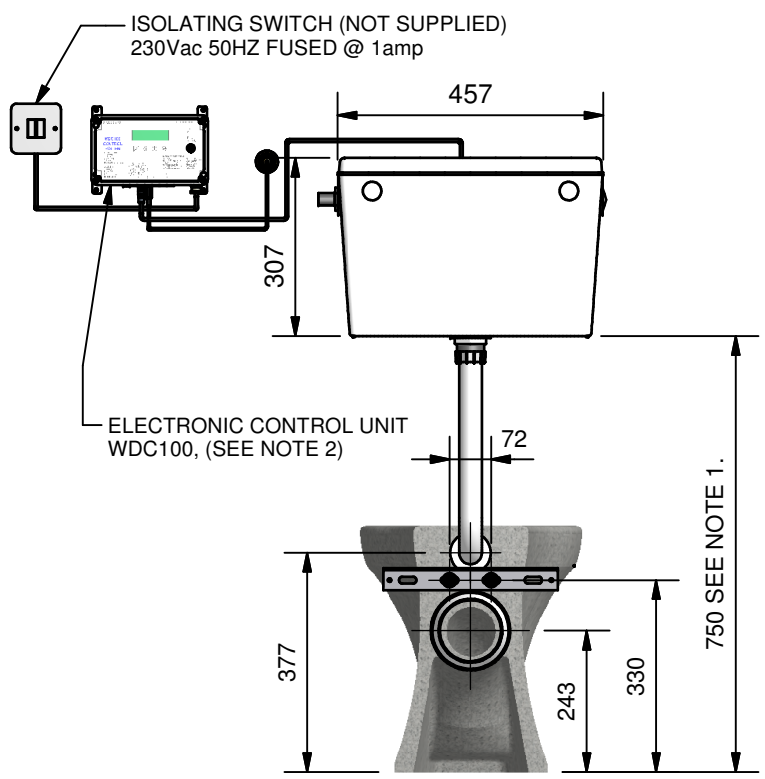


- IMPORTANT NOTES:**
1. The dimensions shown are recommended for the reliable flush performance of the CWC pan. The cistern must be fitted at 750mm above floor level to the bottom of the cistern.
 2. The electronic control units are sold separately, contact Wallgate sales office for available options. (Model shown is WDC100) An electrical connection is required as shown local to the control unit.
 3. The push button can be positioned as preferred but consideration should be given to ensure it is easily accessible for children and adults and if applicable disabled persons. Push button leads are ordered separately, contact Wallgate sales office for available lengths.
 4. Push buttons are ordered separately. Contact Wallgate sales office for available options to suit different wall thicknesses.
 5. Cisterns are ordered separately with options for side connection LH and RH and bottom connection LH and RH. Contact Wallgate sales office for available options.
 6. Various flush valve lead lengths are available, contact Wallgate sales office for available options.
 7. Most makes of WC connector should fit the 108mmØ pan spigot. The connector shown here is an optional extra (P/No WCCON01).
 8. Fixing points (M6 female thread) for a seat are provided. Suitable seats are available from Wallgate. Seats with top access fixings are only suitable for use with the pan.
 9. A minimum water supply pressure of 0.5Bar is required for use with the CISTFV01LH or RH.

REVISION HISTORY				
REV	DATE	DESCRIPTION	BY	CHKD
2	22/06/2011	WALL THICKNESS / MIN PRESSURE AMENDED	RD	



© 2008 Copyright THIS DRAWING IS THE PROPERTY OF WALLGATE LIMITED AND IS ISSUED ON THE STRICT UNDERSTANDING THAT THE INFORMATION CONTAINED WILL NOT BE REPRODUCED, COPIED OR USED WITHOUT PRIOR AGREEMENT OF WALLGATE LTD.

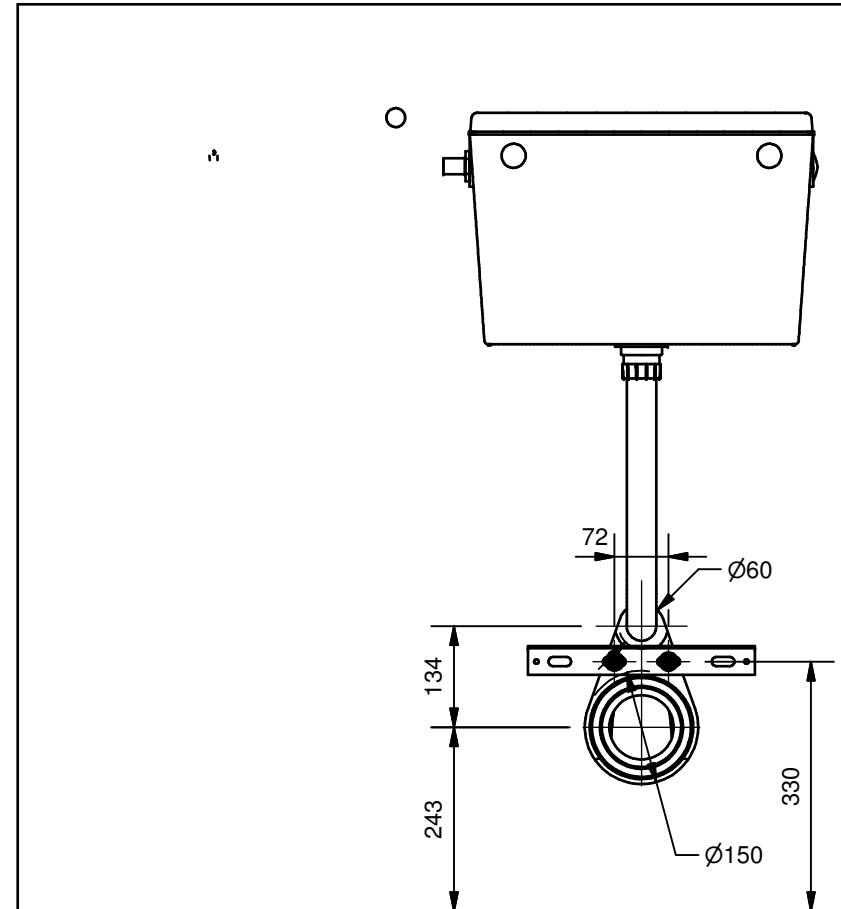
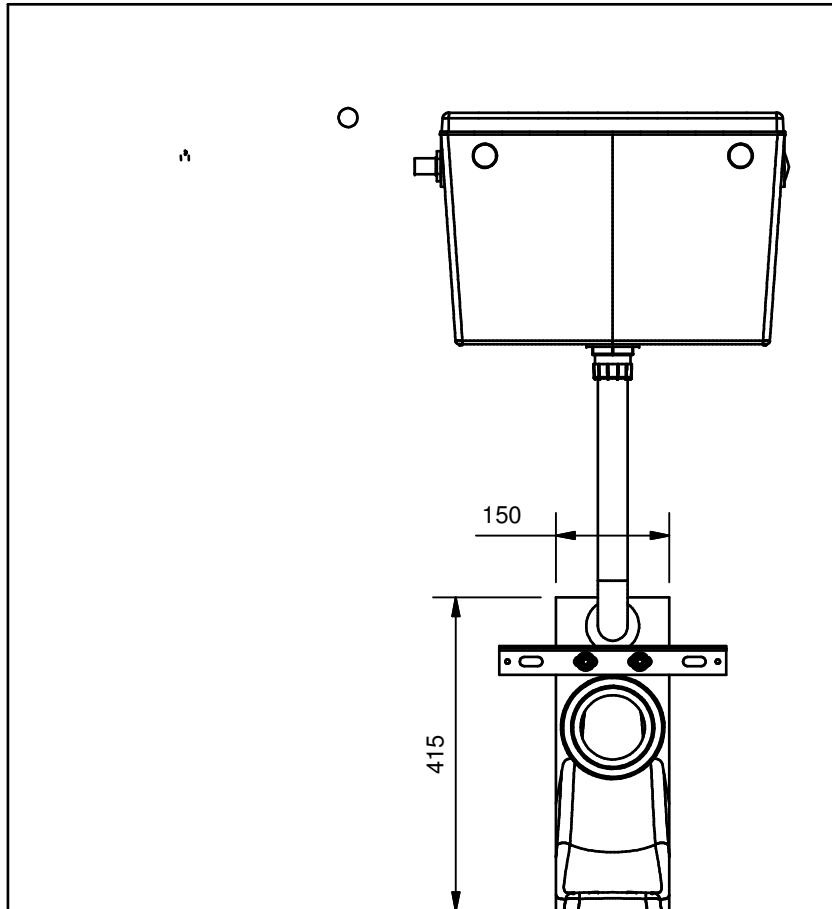
<h1>Wallgate</h1>	TITLE: CWC TYPICAL INSTALLATION WITH ELECTRONIC FLUSH VALVE AND WDC100.	MATERIAL:	Limits: (unless stated) ± 0.25mm (sheetmetal) ± 0.10mm (machined) ± 2.00mm (pattern) ± 5.00mm (moulded)	All dimensions in mm, All angles 90° (unless stated) Scale: NTS A4
	Drg No: INS_CWC_80 - 5 Model/Client/Project: SHEET 1	FINISH:		

NOTES:

1. THIS DRAWING SHOWS TWO SUGESTED CUT OUTS THROUGH THE WALL FOR INSTALLATION OF THE WC. EITHER A RECTANGULAR CUT OUT OR A "TEARDROP" CUT OUT CAN BE USED.
2. "A" HOLE SIZE $\varnothing 15\text{mm}$.

REVISION HISTORY

REV	DATE	DESCRIPTION	BY	CHKD
2	22/06/2011	SHEET 1 AMMNDED	RD	



© 2008 Copyright THIS DRAWING IS THE PROPERTY OF WALLGATE LIMITED AND IS ISSUED ON THE STRICT UNDERSTANDING THAT THE INFORMATION CONTAINED WILL NOT BE REPRODUCED, COPIED OR USED WITHOUT PRIOR AGREEMENT OF WALLGATE LTD.

Wallgate

TITLE: CWC EXAMPLE WALL CUT OUTS.

Drg No: INS_CWC_80 - 5
Model/Client/Project: SHEET 2

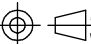
MATERIAL:

FINISH:

Limits: (unless stated)
 $\pm 0.25\text{mm}$ (sheetmetal)
 $\pm 0.10\text{mm}$ (machined)
 $\pm 2.00\text{mm}$ (pattern)
 $\pm 5.00\text{mm}$ (moulded)

All dimensions in mm,
 All angles 90° (unless stated)

Scale: NTS

A4  **3rd**