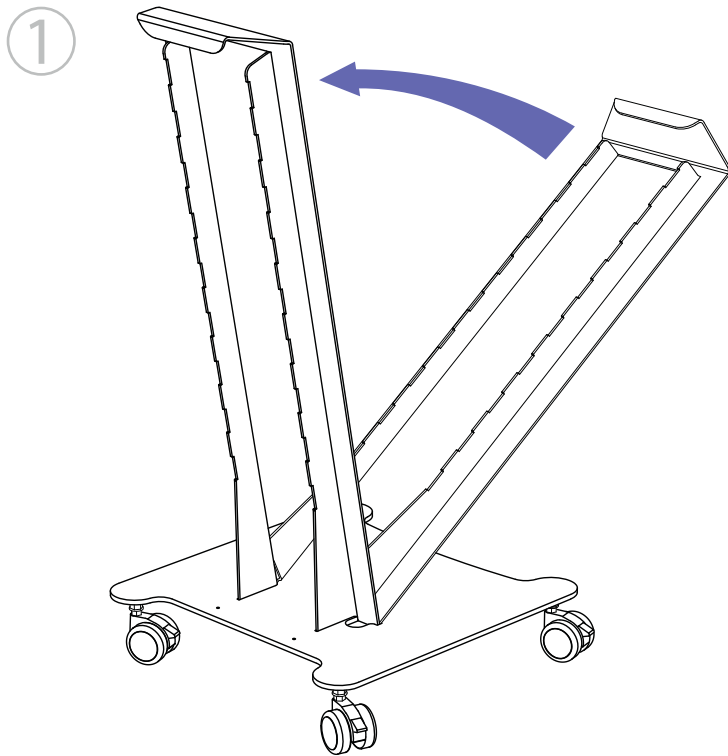
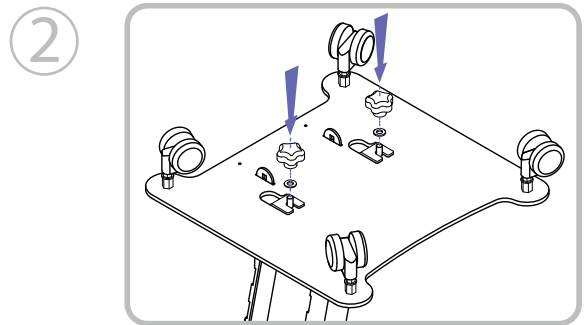


SmartCart™

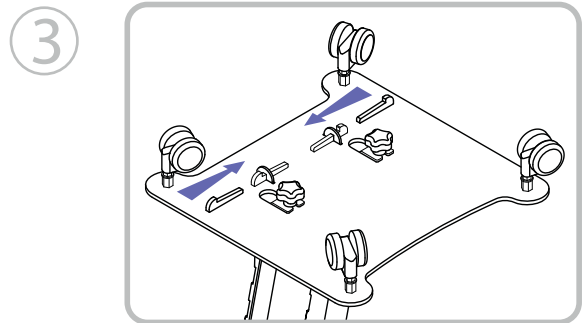
THE MODULAR CART FOR THE
DENTAL PERFECTIONIST



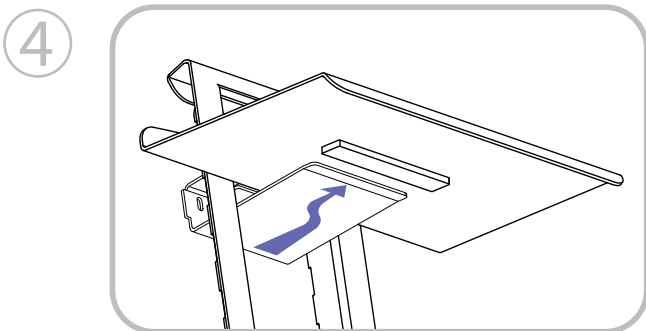
Lower the upright into the slots on the base & raise it into position.



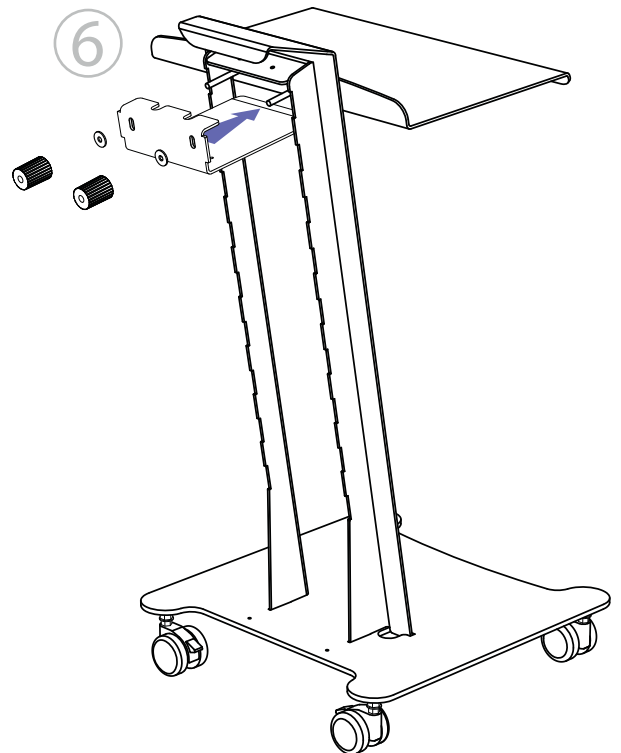
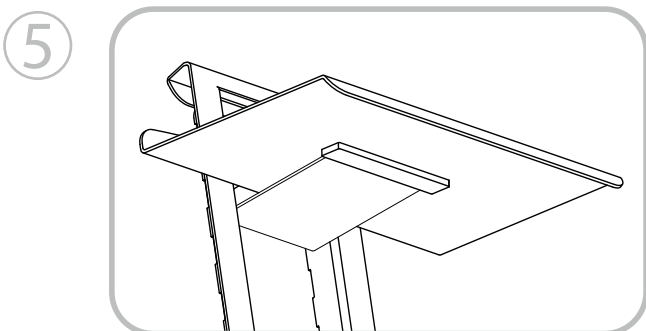
Place the washers & thumb-nuts onto their thread & tighten down.



Securely knock each locking pin into place.

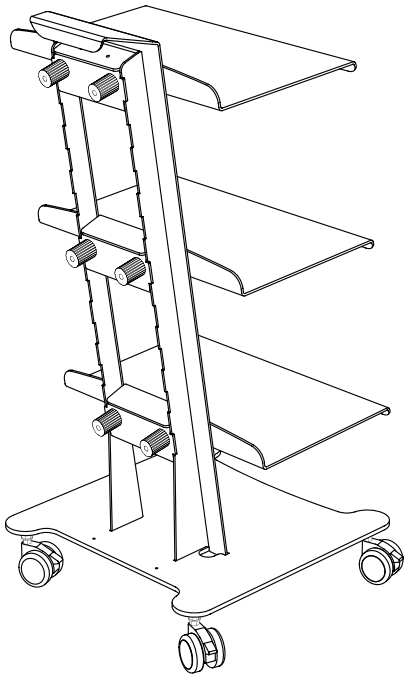


Raise the shelf & its support into place. Ensure its end slots into the pocket underneath the shelf



Screw up the thumb-nuts & secure the shelf.

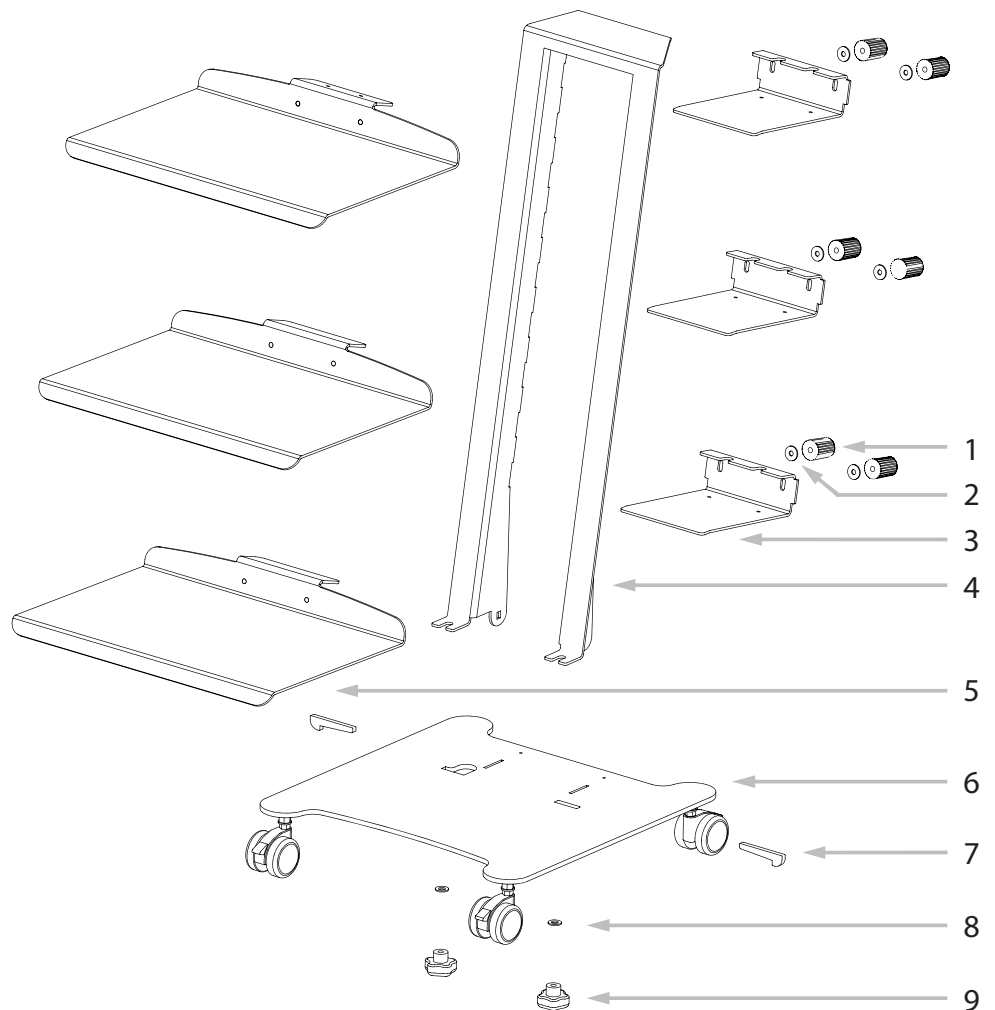
7



Repeat steps 4-6 for all shelves.

Parts list

1. SHELF THUMB NUT (6pcs)
2. WASHERS (6pcs)
3. SHELF SUPPORT (3pcs)
4. UPRIGHT (1pcs)
5. SHELF (3pcs)
6. BASE (1pcs)
7. LOCKING PIN (2pcs)
8. WASHER (2pcs)
9. BASE THUMB NUT (2pcs)



10Kg Maximum weight limit for individual shelves.

Medivance Instruments Ltd.
 Barretts Green Road, London NW10 7AP
 Tel: +44 (0)20 8965 2913 Email: daniel.pinder@velopex.com

