

Stainless Steel Collection



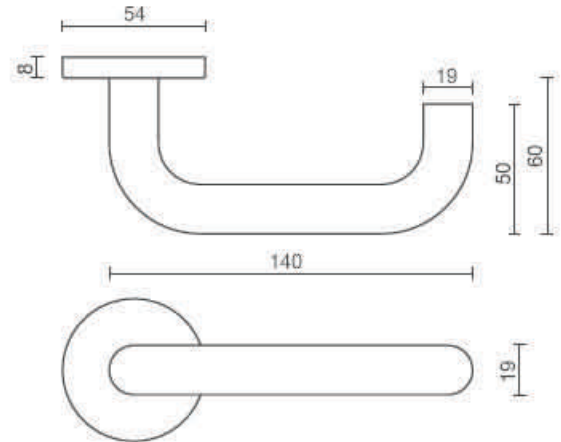
T: 020 8531 9696 F: 020 8531 9678
E: sales@granthazelondon.co.uk
W: www.granthazelondon.co.uk

Page	Product
1 - 4	Hollow Lever Handles
4 - 8	Solid Lever Handles
9, 10	Escutcheons
11	Thumb Turns & Indicators
12 - 15	Pull Handles
16, 17	Door Stops
18	Flush Pulls
19	Cylinder Pulls
20	Coat & Hat Hooks
21, 22	Flush Bolts & Sockets
23	Misc. Accessories
24, 25	Plates & Signage
26, 27	Hinges
28, 29	Locks, Latches & Cylinders
30 - 33	Overhead Door Closers
33, 34	Concealed Door Closers
35	Floor Springs
36	Door Holders & Door Selectors
37	Disabled Bathroom & Shower Accessories
38	BS 8300:2001

GHL 100



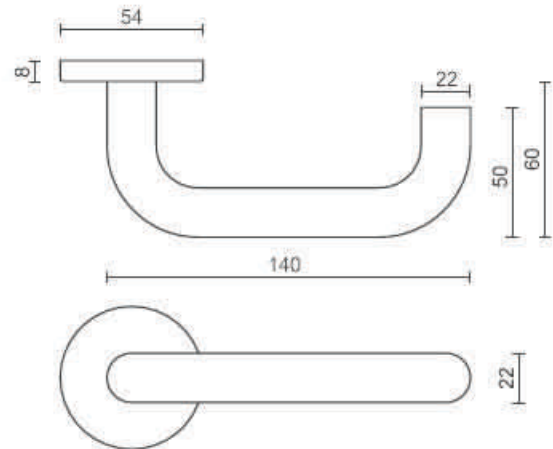
- **Available on:** Sprung or 4mm Unsprung Rose
- **Finishes:** SSS: Satin Stainless Steel
PSS: Polished Stainless Steel
PAA: Polished Anodised Aluminium
PB: Polished Brass



GHL 199



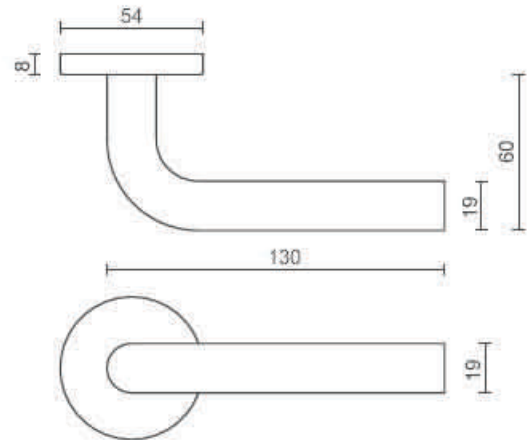
- **Available on:** Sprung Rose
- **Finishes:** SSS: Satin Stainless Steel
PSS: Polished Stainless Steel
PAA: Polished Anodised Aluminium



GHL 299



- **Available on:** Sprung or 4mm Unsprung Rose
- **Finishes:** SSS: Satin Stainless Steel
PSS: Polished Stainless Steel



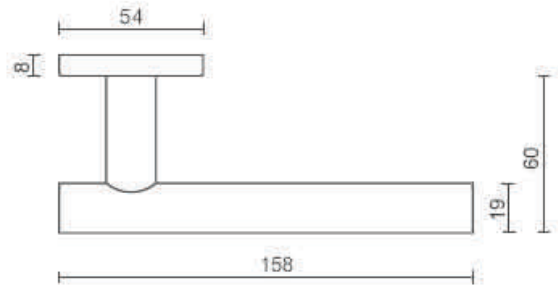
GHL 399



- **Available on:** Sprung or 4mm Unsprung Rose
- **Finishes:** SSS: Satin Stainless Steel
PSS: Polished Stainless Steel

- **Series with GHL399**

Section: Pull Handle
Model name: **GHLEP10-15**
Description: Crescent Pull Handle



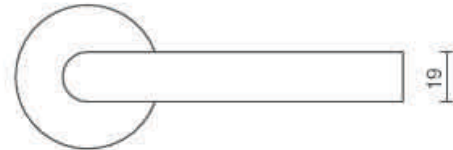
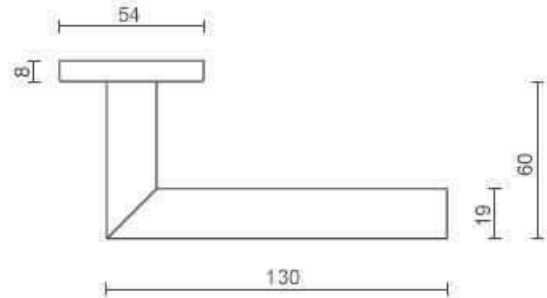
GHL 499



- **Available on:** Sprung or 4mm Unsprung Rose
- **Finishes:** SSS: Satin Stainless Steel
PSS: Polished Stainless Steel

- **Series with GHL499**

Section: Pull Handle
Model name: **GHLEP41-45**
Description: Mitred Pull Handle



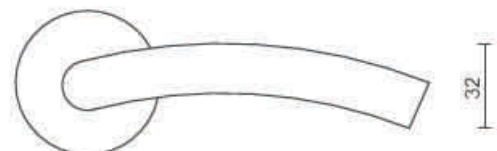
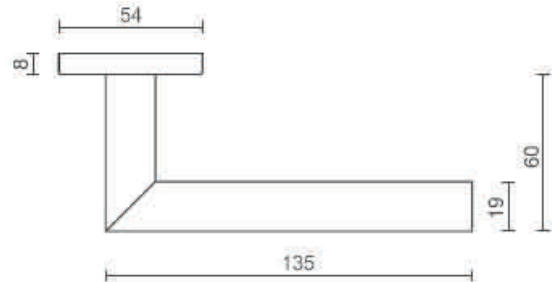
GHL 599



- **Available on:** Sprung or 4mm Unsprung Rose
- **Finishes:** SSS: Satin Stainless Steel
PSS: Polished Stainless Steel

- **Series with GHL599**

Section: Pull Handle
Model name: **GHLEP10-15**
Description: Crescent Pull Handle



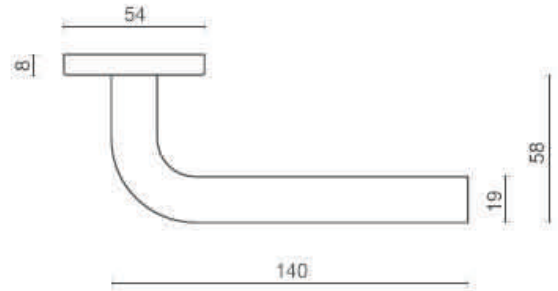
GHL 599R



- **Available on:** Sprung or 4mm Unsprung Rose
- **Finishes:** SSS: Satin Stainless Steel
PSS: Polished Stainless Steel

- **Series with GHL 599R**

Section: Pull Handle
Model name: GHLEP 10-15
Description: Crescent Pull Handle



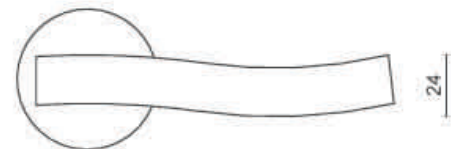
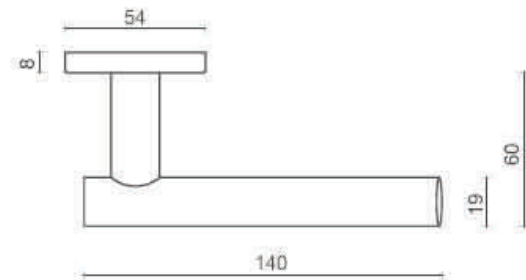
GHL 699



- **Available on:** Sprung or 4mm Unsprung Rose
- **Finishes:** SSS: Satin Stainless Steel
PSS: Polished Stainless Steel

- **Series with GHL 699**

Section: Pull Handle
Model name: GHLEP 20-25
Description: 'S' Shaped Pull Handle



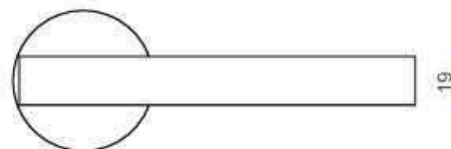
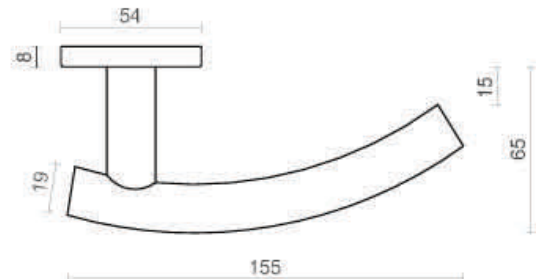
GHL 799



- **Available on:** Sprung or 4mm Unsprung Rose
- **Finishes:** SSS: Satin Stainless Steel
PSS: Polished Stainless Steel

- **Series with GHL 799**

Section: Pull Handle
Model name: GHLEP 10-15
Description: Crescent Pull Handle



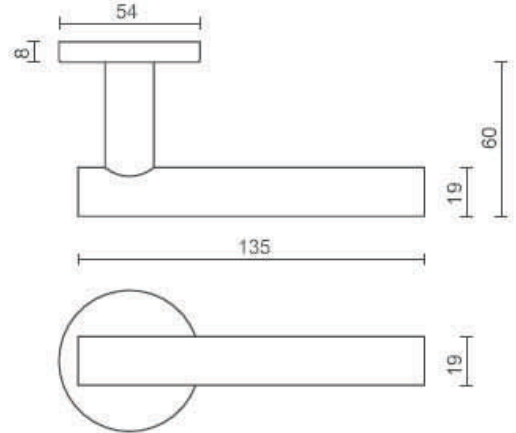
GHL 899



- Available on: Sprung or 4mm Unsprung Rose
- Finishes: SSS: Satin Stainless Steel
PSS: Polished Stainless Steel

▪ Series with GHL 899

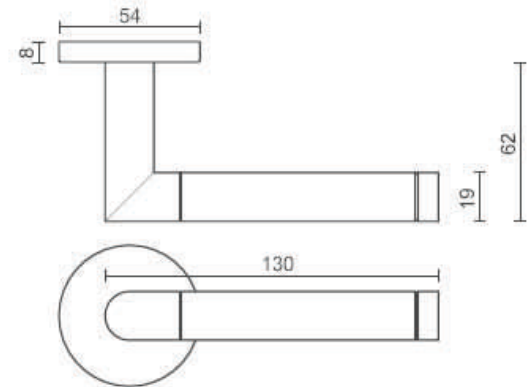
Section: Pull Handle
 Model name: GHLEP 30-39
 Description: T bar Pull Handle



GHL 999



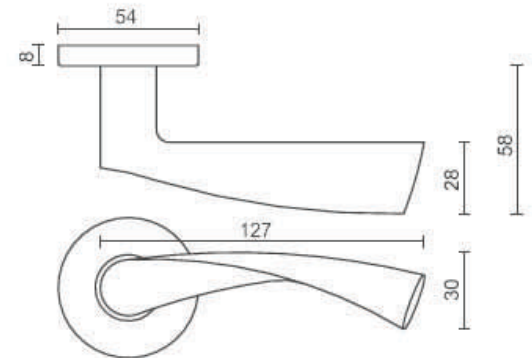
- Available on: Sprung Rose
- Finishes: Duo - SSS: Satin Stainless Steel
PSS: Polished Stainless Steel



GHL 900



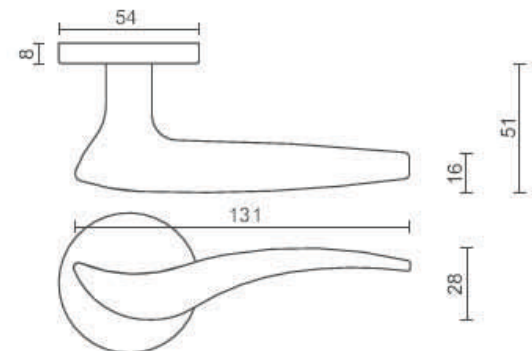
- Available on: Sprung Rose
- Finishes: SSS: Satin Stainless Steel
PSS: Polished Stainless Steel



GHL 901



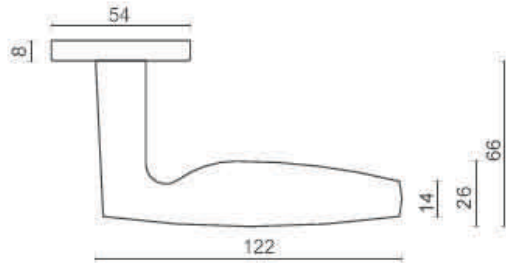
- Available on: Sprung Rose
- Finishes: SSS: Satin Stainless Steel
PSS: Polished Stainless Steel



GHL 902



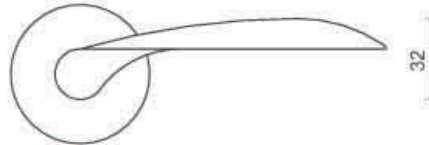
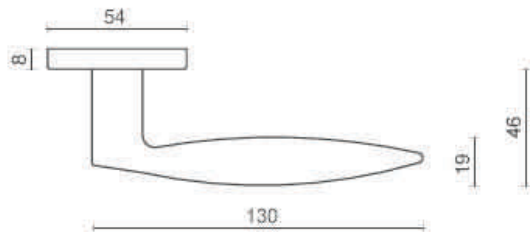
- Available on: Sprung Rose
- Finishes: SSS: Satin Stainless Steel
PSS: Polished Stainless Steel



GHL 899



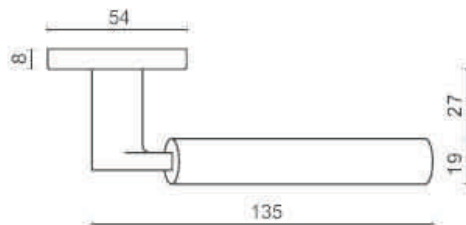
- Available on: Sprung Rose
- Finishes: SSS: Satin Stainless Steel
PSS: Polished Stainless Steel



GHL 908



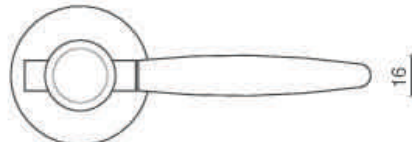
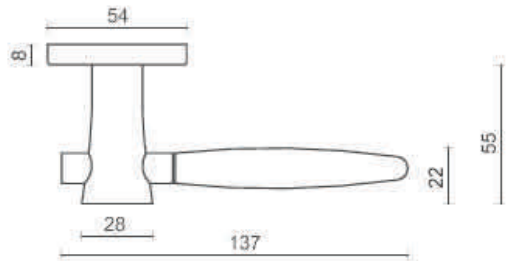
- Available on: Sprung Rose
- Finishes: SSS: Satin Stainless Steel
PSS: Polished Stainless Steel



GHL 909



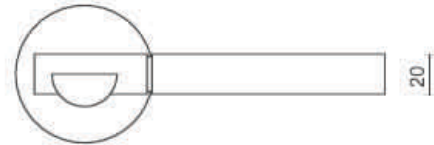
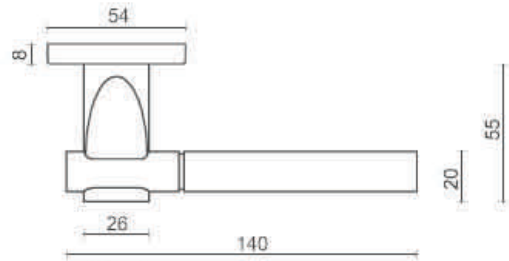
- Available on: Sprung Rose
- Finishes: SSS: Satin Stainless Steel
PSS: Polished Stainless Steel



GHL 910



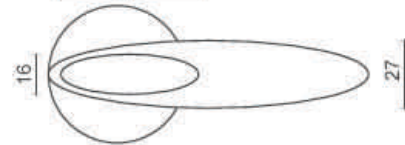
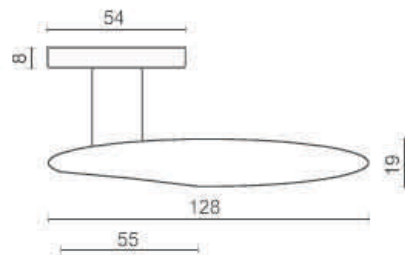
- Available on: Sprung Rose
- Finishes: SSS: Satin Stainless Steel
PSS: Polished Stainless Steel



GHL 911



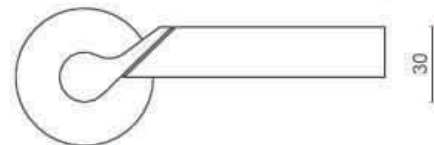
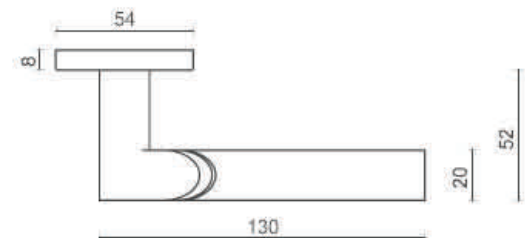
- Available on: Sprung Rose
- Finishes: SSS: Satin Stainless Steel
PSS: Polished Stainless Steel



GHL 912



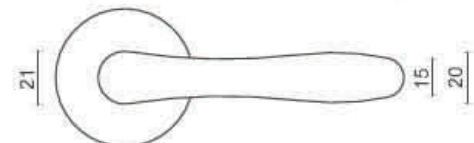
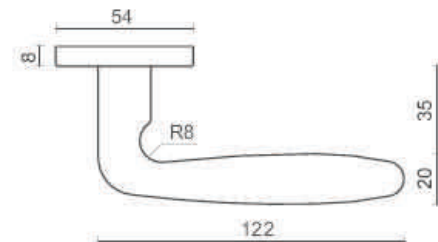
- Available on: Sprung Rose
- Finishes: SSS: Satin Stainless Steel
PSS: Polished Stainless Steel



GHL 913



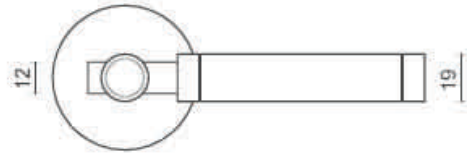
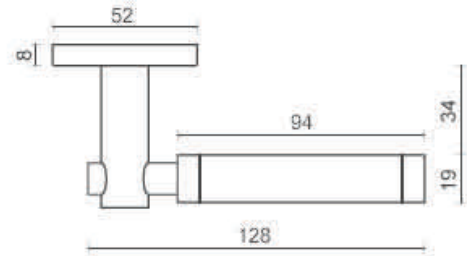
- Available on: Sprung Rose
- Finishes: SSS: Satin Stainless Steel
PSS: Polished Stainless Steel



GHL 914



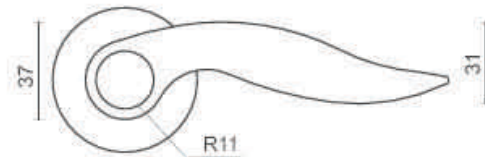
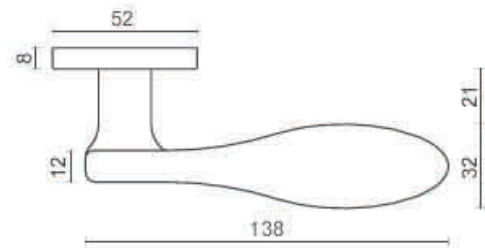
- Available on: Sprung Rose
- Finishes: SSS: Satin Stainless Steel
PSS: Polished Stainless Steel



GHL 917



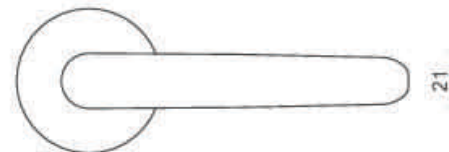
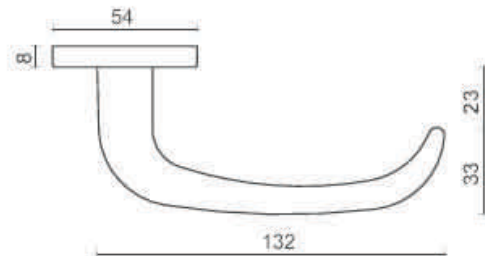
- Available on: Sprung Rose
- Finishes: SSS: Satin Stainless Steel
PSS: Polished Stainless Steel



GHL 918



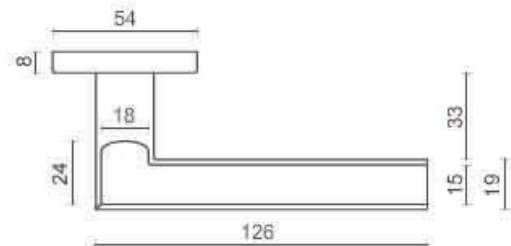
- Available on: Sprung Rose
- Finishes: SSS: Satin Stainless Steel
PSS: Polished Stainless Steel



GHL 919



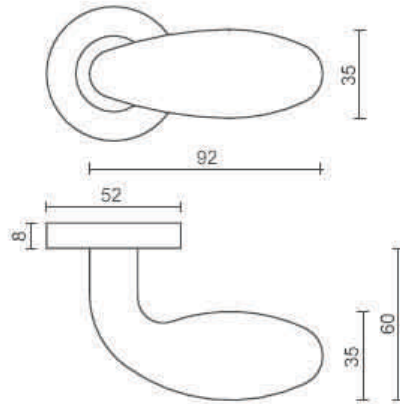
- Available on: Sprung Rose
- Finishes: SSS: Satin Stainless Steel
PSS: Polished Stainless Steel



GHL 920



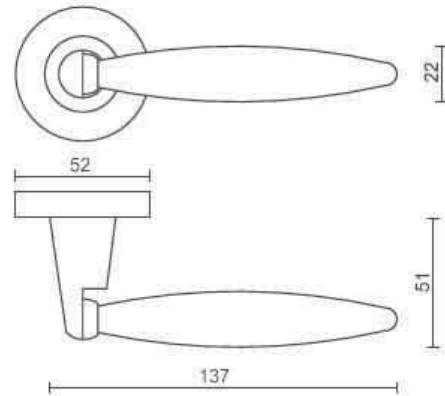
- Available on: Sprung Rose
- Finishes: SSS: Satin Stainless Steel
PSS: Polished Stainless Steel



GHL 921



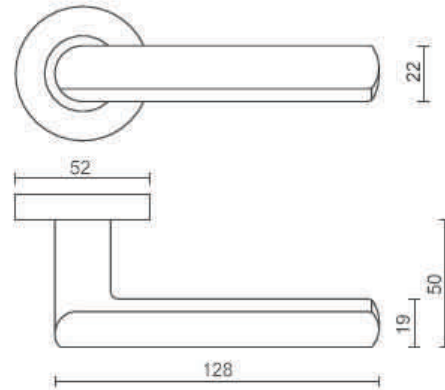
- Available on: Sprung Rose
- Finishes: SSS: Satin Stainless Steel
PSS: Polished Stainless Steel



GHL 922



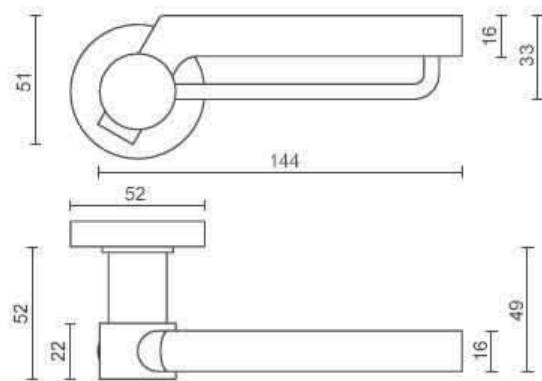
- Available on: Sprung Rose
- Finishes: SSS: Satin Stainless Steel
PSS: Polished Stainless Steel



GHL 923

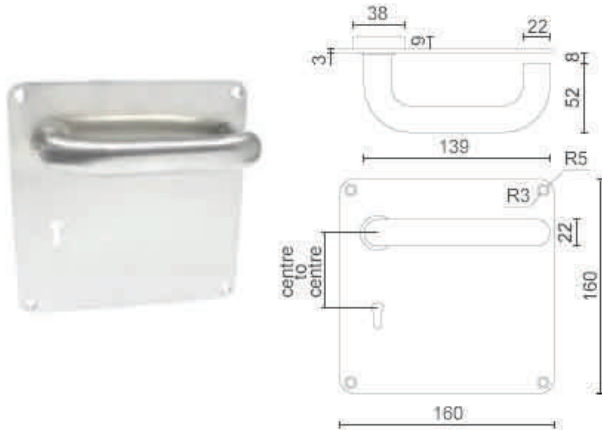


- Available on: Sprung Rose
- Finishes: SSS: Satin Stainless Steel
PSS: Polished Stainless Steel



GHL 165

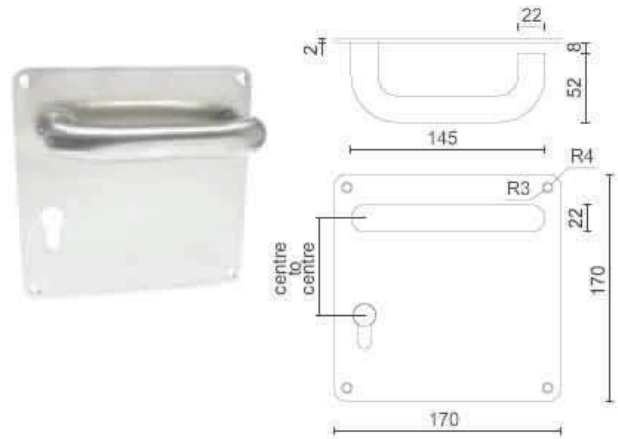
Lever Handle on 160x160x3mm
Traditional Keyhole Back Plate



- Available on: Sprung back plate
- Diameter: 22mm Diameter Lever Handle
- Measurement: 57mm centre to centre
- Finishes: SSS: Satin Stainless Steel
PSS: Polished Stainless Steel

GHL 170

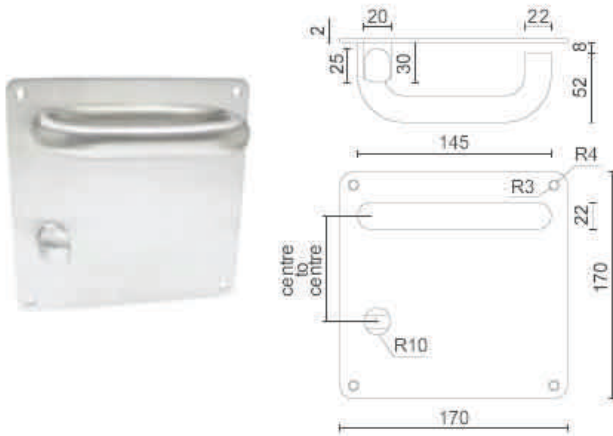
Lever Handle on 170x170x2mm
Euro Profile Back Plate



- Available on: Sprung back plate
- Diameter: 22mm Diameter Lever Handle
- Measurement: 72mm centre to centre
- Finishes: SSS: Satin Stainless Steel
PSS: Polished Stainless Steel

GHL 180

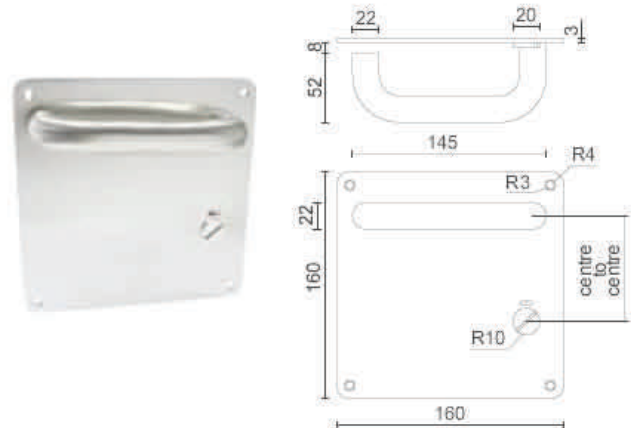
Lever Handle on 170x170x2mm
Bathroom Back Plate



- Available on: Sprung back plate
- Diameter: 22mm Diameter Lever Handle
- Measurement: 78mm centre to centre
- Finishes: SSS: Satin Stainless Steel
PSS: Polished Stainless Steel

GHL 185

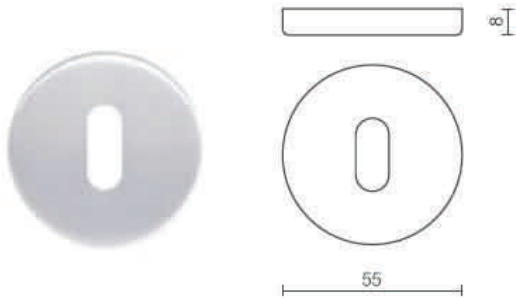
Lever Handle on 160x160x3mm
Bathroom Back Plate



- Available on: Sprung back plate
- Diameter: 22mm Diameter Lever Handle
- Measurement: 78mm centre to centre
- Finishes: SSS: Satin Stainless Steel
PSS: Polished Stainless Steel

GHL 310

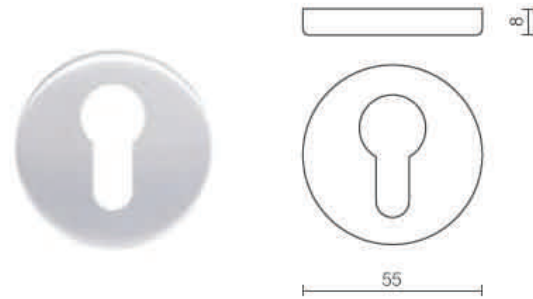
Keyhole Escutcheon



- Available in: 4mm & 8mm
- Finishes: SSS: Satin Stainless Steel
PSS: Polished Stainless Steel
PAA: Polished Anodised Aluminium
PB: Polished Brass

GHL 311

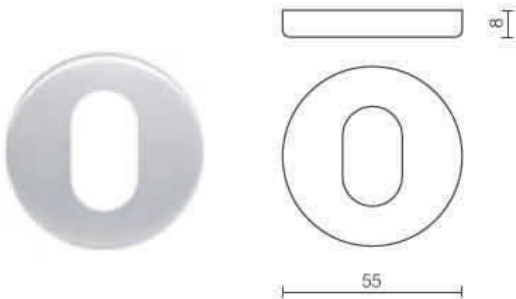
Euro Escutcheon



- Available in: 4mm & 8mm
- Finishes: SSS: Satin Stainless Steel
PSS: Polished Stainless Steel
PAA: Polished Anodised Aluminium
PB: Polished Brass

GHL 312

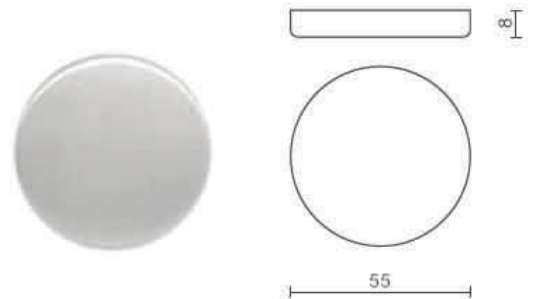
Oval Escutcheon



- Available in: 4mm & 8mm
- Finishes: SSS: Satin Stainless Steel
PSS: Polished Stainless Steel
PAA: Polished Anodised Aluminium
PB: Polished Brass

GHL 313

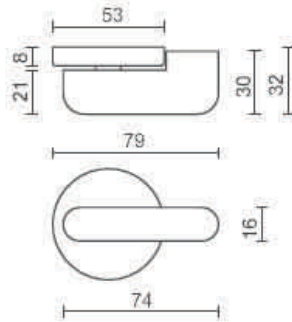
Blank Escutcheon



- Available in: 4mm & 8mm
- Finishes: SSS: Satin Stainless Steel
PSS: Polished Stainless Steel

GHLTD 1

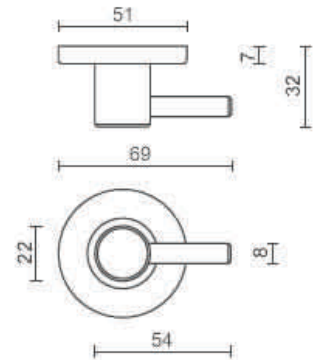
Disabled Thumb Turn and Emergency Release



- **Finishes:** SSS: Satin Stainless Steel
PSS: Polished Stainless Steel

GHLTD 2

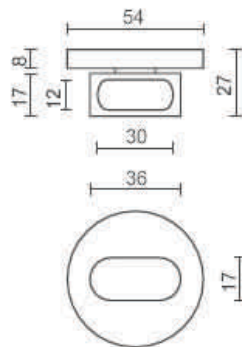
Disabled Thumb Turn and Emergency Release



- **Finishes:** SSS: Satin Stainless Steel
PSS: Polished Stainless Steel

GHLTT 3

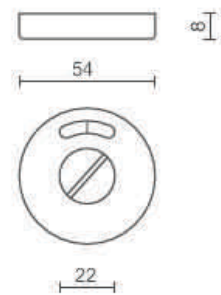
Standard Thumb Turn and Emergency Release



- **Finishes:** SSS: Satin Stainless Steel
PSS: Polished Stainless Steel
PAA: Polished Anodised Aluminium
PB: Polished Brass

GHLER

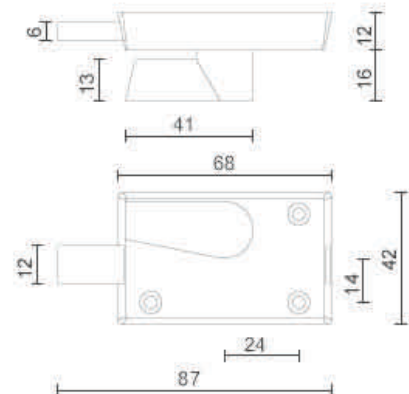
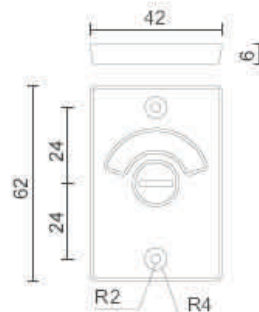
Emergency Release & Indicator



- **Finishes:** SSS: Satin Stainless Steel
PSS: Polished Stainless Steel
PAA: Polished Anodised Aluminium
PB: Polished Brass
- **Available:** without Indicator if require

GHL 421

Face Fix Indicator Bolt



- **Finishes:** SSS: Satin Stainless Steel
PSS: Polished Stainless Steel

GHLEP 10-15

Crescent Pull Handle



- **Available with:** - Bolt Through Fixed
- On Concealed Rose
- Secret Face Fix
- Back to Back Fixed

- **Finishes:** SSS: Satin Stainless Steel
PSS: Polished Stainless Steel

- **Series with GHLEP 10-15**

Section: Levers
Model name: GHL 399 GHL 599 GHL 799
Description: Lever Handle



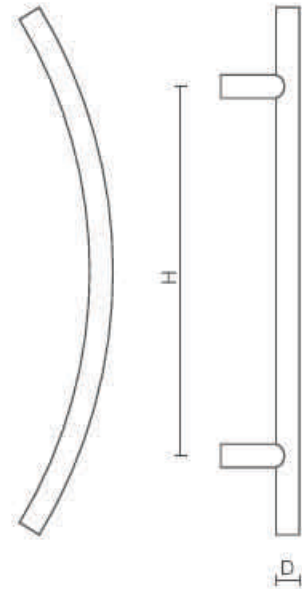
GHL 399



GHL 599



GHL 799



- GHLEP 10 : H 225 x D 19
- GHLEP 11 : H 300 x D 19
- GHLEP 15 : H 600 x D 25

GHLEP 20-25

'S' Shaped Pull Handle

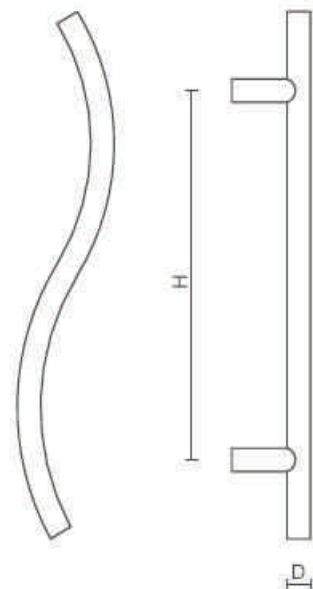


- **Available with:** - Bolt Through Fixed
- On Concealed Rose
- Secret Face Fix
- Back to Back Fixed

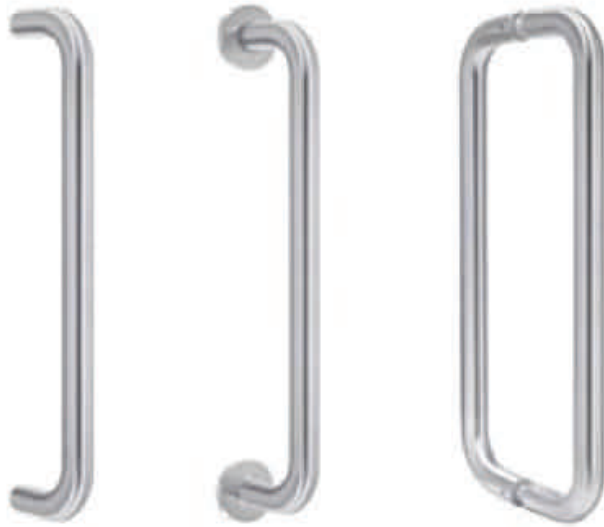
- **Finishes:** SSS: Satin Stainless Steel
PSS: Polished Stainless Steel

- **Series with GHLEP 20-25**

Section: Levers
Model name: GHL 699
Description: Lever Handle



- GHLEP 20 : H 225 x D 19
- GHLEP 21 : H 300 x D 19
- GHLEP 25 : H 600 x D 25



- **Available with:**
 - Bolt Through Fixed
 - On Concealed Rose
 - Secret Face Fix
 - Back to Back Fixed

- **Finishes:**
 - SSS: Satin Stainless Steel
 - PSS: Polished Stainless Steel
 - PAA: Polished Anodised Aluminium
 - PB: Polished Brass

▪ **Series with GHLHH / GHLHS**

Section: Levers

Model name: GHL100, GHL199, GHL299

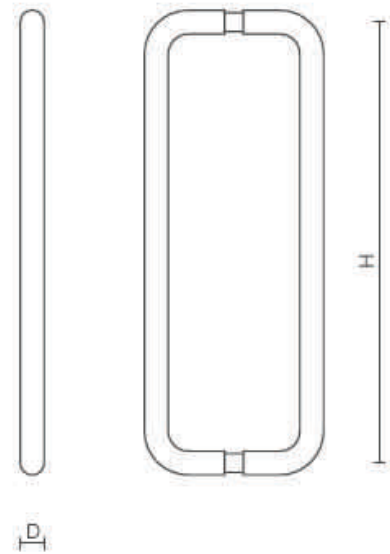
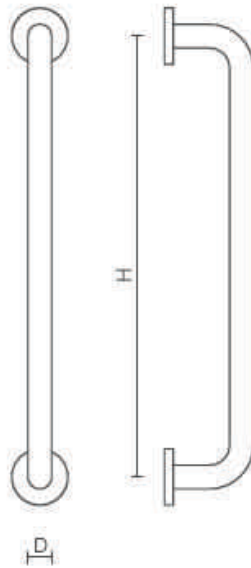
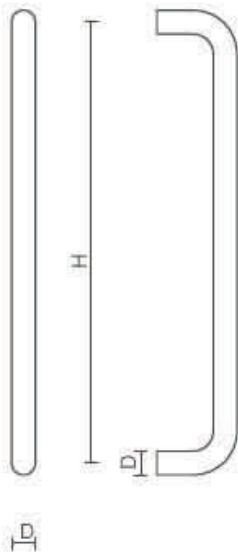
Description: Lever Handle



GHL 100/199



GHL 299



GHLPHH : Hollow

- GHLHH 1 : H 150 x D 16
- GHLHH 2 : H 225 x D 16
- GHLHH 3 : H 300 x D 16
- GHLHH 4 : H 425 x D 16
- GHLHH 5 : H 600 x D 16
- GHLHH 6 : H 150 x D 19
- GHLHH 7 : H 225 x D 19
- GHLHH 8 : H 300 x D 19
- GHLHH 9 : H 425 x D 19
- GHLHH 10 : H 600 x D 19
- GHLHH 11 : H 900 x D 19
- GHLHH 12 : H 225 x D 22
- GHLHH 13 : H 300 x D 22

- GHLHH 14 : H 425 x D 22
- GHLHH 15 : H 600 x D 22
- GHLHH 16 : H 225 x D 25
- GHLHH 17 : H 300 x D 25
- GHLHH 18 : H 425 x D 25
- GHLHH 19 : H 600 x D 25
- GHLHH 20 : H 900 x D 25
- GHLHH 21 : H 1200 x D 25
- GHLHH 22 : H 600 x D 30
- GHLHH 23 : H 900 x D 30
- GHLHH 24 : H 1200 x D 30
- GHLHH 25 : H 1500 x D 30

GHLPHS : Solid

- GHLHS 1 : H 110 x D 16
- GHLHS 2 : H 150 x D 16
- GHLHS 3 : H 225 x D 16
- GHLHS 4 : H 300 x D 16
- GHLHS 5 : H 425 x D 16
- GHLHS 6 : H 600 x D 16
- GHLHS 7 : H 150 x D 19
- GHLHS 8 : H 225 x D 19
- GHLHS 9 : H 300 x D 19
- GHLHS 10 : H 425 x D 19
- GHLHS 11 : H 600 x D 19
- GHLHS 12 : H 150 x D 22
- GHLHS 13 : H 225 x D 22

- GHLHS 14 : H 300 x D 22
- GHLHS 15 : H 225 x D 25
- GHLHS 16 : H 300 x D 25

GHLEP 30-39

'T' Bar Pull Handle

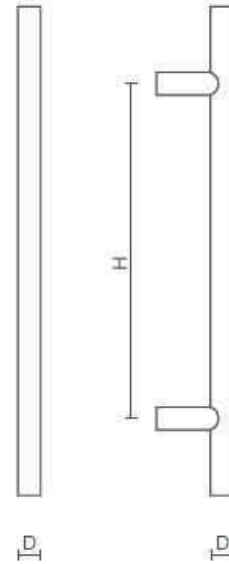


- **Available with:** - Bolt Through Fixed
- On Concealed Rose
- Secret Face Fix
- Back to Back Fixed

- **Finishes:** SSS: Satin Stainless Steel
PSS: Polished Stainless Steel

- **Series with GHLEP 30-39**

Section: Levers
Model name: GHL 899
Description: Lever Handle



GHLEP 30: H 225 x D 19	GHLEP 39.01: H 1200 x D 25
GHLEP 31: H 300 x D 19	GHLEP 39.02: H 600 x D 32
GHLEP 32: H 425 x D 19	GHLEP 39.03: H 750 x D 32
GHLEP 33: H 600 x D 19	GHLEP 39.04: H 900 x D 32
GHLEP 34: H 900 x D 19	GHLEP 39.05: H 1200 x D 32
GHLEP 35: H 300 x D 25	GHLEP 39.06: H 1500 x D 32
GHLEP 36: H 425 x D 25	GHLEP 39.07: H 900 x D 38
GHLEP 37: H 600 x D 25	GHLEP 39.08: H 1200 x D 38
GHLEP 38: H 750 x D 25	GHLEP 39.09: H 1500 x D 38
GHLEP 39: H 900 x D 25	GHLEP 39.10: H 1800 x D 38

GHLEP 41-45

Mitred Pull Handle

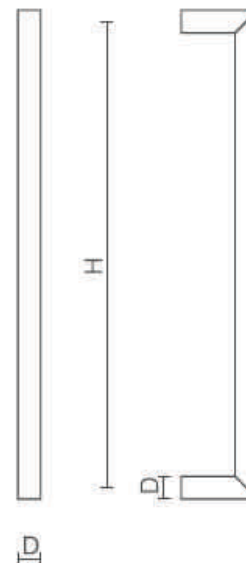


- **Available with:** - Bolt Through Fixed
- On Concealed Rose
- Secret Face Fix
- Back to Back Fixed

- **Finishes:** SSS: Satin Stainless Steel
PSS: Polished Stainless Steel

- **Series with GHLEP 41-45**

Section: Levers
Model name: GHL 499
Description: Lever Handle



GHLEP 41 : H 300 x D 19
GHLEP 45 : H 600 x D 25

GHLEP 50-55

Cranked Pull Handle



- **Available with:** - Bolt Through Fixed
- On Concealed Rose
- Secret Face Fix
- Back to Back Fixed

- **Finishes:** SSS: Satin Stainless Steel
PSS: Polished Stainless Steel

GHLEP50 : H 225 x D 19

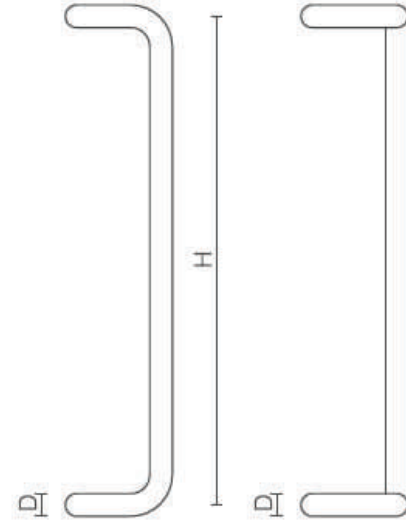
GHLEP51 : H 300 x D 19

GHLEP52 : H 425 x D 19

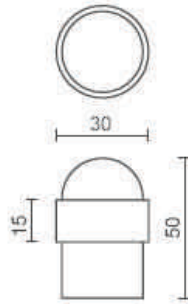
GHLEP53 : H 600 x D 19

GHLEP54 : H 300 x D 25

GHLEP55 : H 600 x D 25

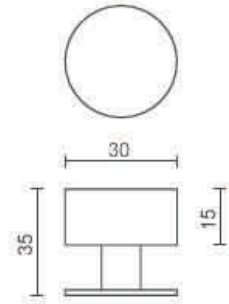


GHLDS 72



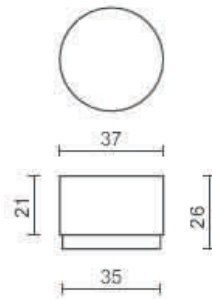
- **Finishes:** SSS: Satin Stainless Steel
PSS: Polished Stainless Steel
PAA: Polished Anodised Aluminium
PCP: Polished Chrome Plate
PB: Polished Brass

GHLDS 73



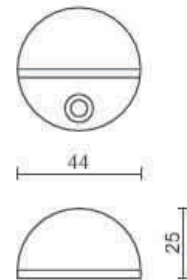
- **Finishes:** SSS: Satin Stainless Steel
PSS: Polished Stainless Steel

GHLDS 74



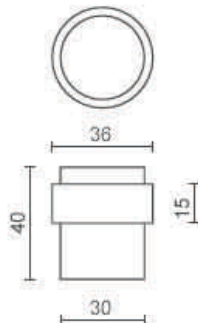
- **Finishes:** SSS: Satin Stainless Steel
PSS: Polished Stainless Steel
PAA: Polished Anodised Aluminium
PB: Polished Brass

GHLDS 75



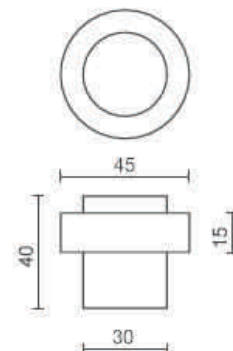
- **Finishes:** SSS: Satin Stainless Steel
PSS: Polished Stainless Steel
PAA: Polished Anodised Aluminium
SCP: Satin Chrome Plate
PCP: Polished Chrome Plate
SNP: Satin Nickel Plate
PB: Polished Brass

GHLDS 77



- **Finishes:** SSS: Satin Stainless Steel
PSS: Polished Stainless Steel
PAA: Polished Anodised Aluminium
SCP: Satin Chrome Plate
PCP: Polished Chrome Plate
PB: Polished Brass

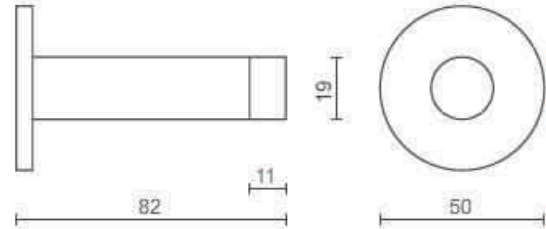
GHLDS 77H



- **Finishes:** SSS: Satin Stainless Steel
PSS: Polished Stainless Steel
PAA: Polished Anodised Aluminium
SCP: Satin Chrome Plate
PCP: Polished Chrome Plate
PB: Polished Brass

GHLDS 78

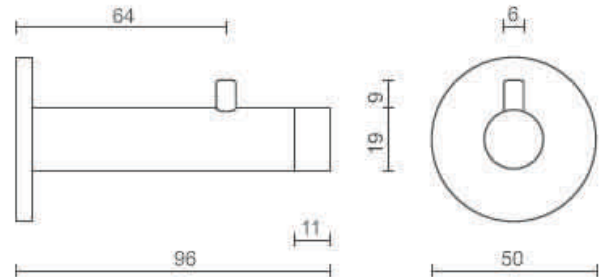
Skirting Door Stop



- **Finishes:** SSS: Satin Stainless Steel
PSS: Polished Stainless Steel
PAA: Polished Anodised Aluminium
PB: Polished Brass

GHLDS 78P

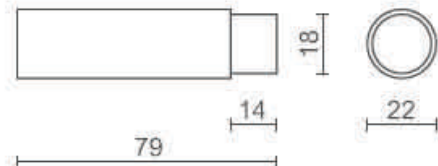
Projection Door Stop With Clothes Peg



- **Finishes:** SSS: Satin Stainless Steel
PSS: Polished Stainless Steel

GHLDS 79

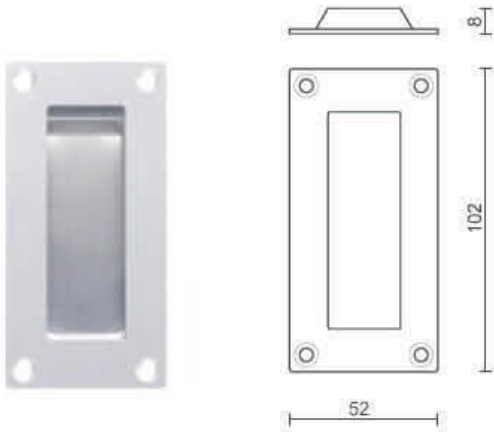
Skirting Door Stop



- **Finishes:** SSS: Satin Stainless Steel
PSS: Polished Stainless Steel
PAA: Polished Anodised Aluminium

GHLFP 1

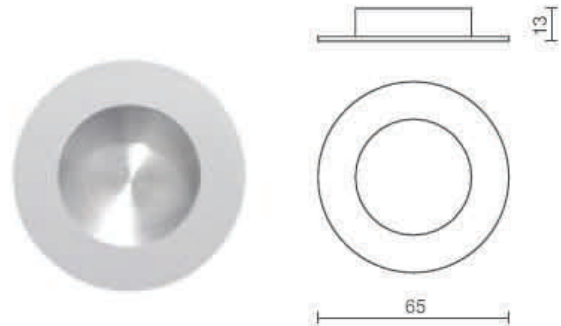
Rectangular Flush Pull



- **Finishes:** SSS: Satin Stainless Steel
PSS: Polished Stainless Steel

GHLFP 2

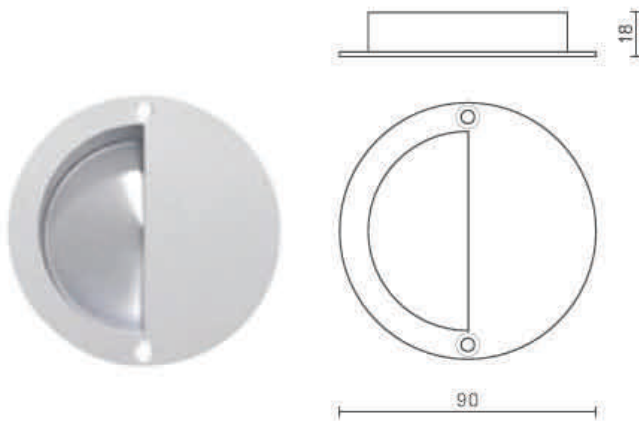
Round Flush Pull



- **Finishes:** SSS: Satin Stainless Steel
PSS: Polished Stainless Steel

GHLFP 3

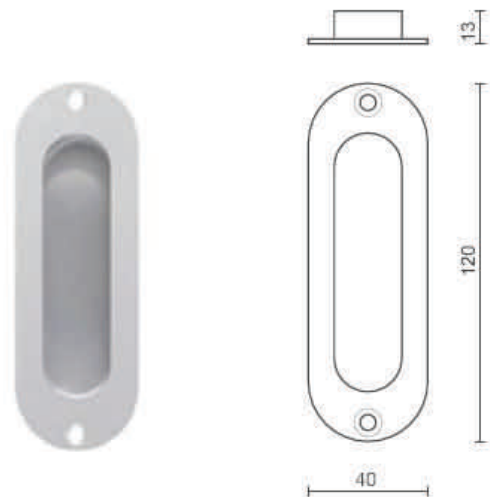
Round Flush Pull



- **Finishes:** SSS: Satin Stainless Steel
PSS: Polished Stainless Steel

GHLFP 4

Oval Flush Pull



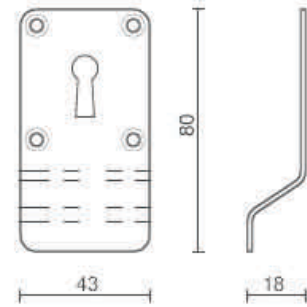
- **Finishes:** SSS: Satin Stainless Steel
PSS: Polished Stainless Steel

GHL 315

Keyhole Cylinder Pull



- **Finishes:** SSS: Satin Stainless Steel
PSS: Polished Stainless Steel
PAA: Polished Anodised Aluminium
PB: Polished Brass

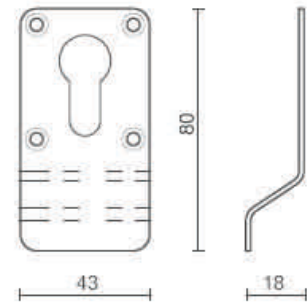


GHL 316

Euro Cylinder Pull



- **Finishes:** SSS: Satin Stainless Steel
PSS: Polished Stainless Steel
PAA: Polished Anodised Aluminium
PB: Polished Brass

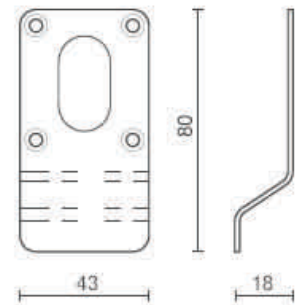


GHL 317

Oval Cylinder Pull



- **Finishes:** SSS: Satin Stainless Steel
PSS: Polished Stainless Steel
PAA: Polished Anodised Aluminium
PB: Polished Brass

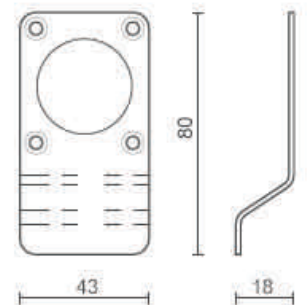


GHL 318

Rim Cylinder Pull



- **Finishes:** SSS: Satin Stainless Steel
PSS: Polished Stainless Steel
PAA: Polished Anodised Aluminium
PB: Polished Brass

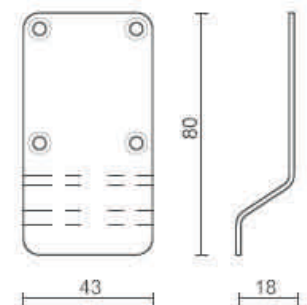


GHL 319

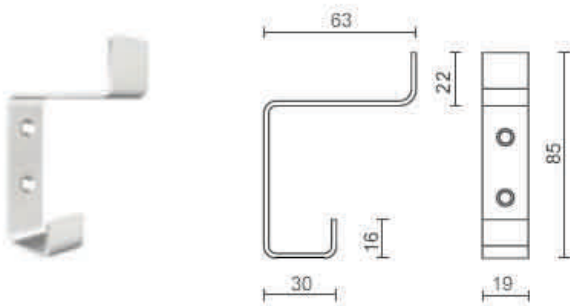
Blank Cylinder Pull



- **Finishes:** SSS: Satin Stainless Steel
PSS: Polished Stainless Steel
PAA: Polished Anodised Aluminium
PB: Polished Brass

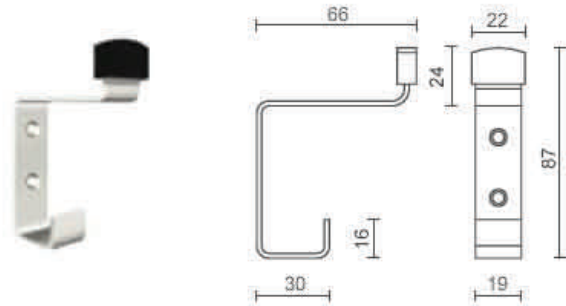


GHL 440 Hat & Coat Hook



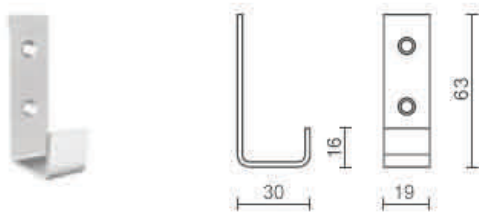
- **Finishes:** SSS: Satin Stainless Steel
PSS: Polished Stainless Steel
PAA: Polished Anodised Aluminium
PB: Polished Brass

GHL 440B Buffered Hat & Coat Hook



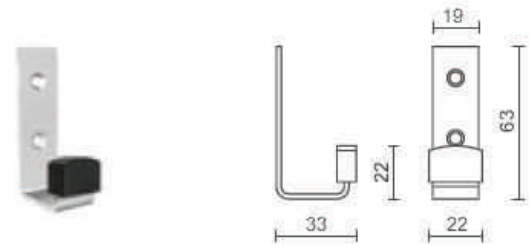
- **Finishes:** SSS: Satin Stainless Steel
PSS: Polished Stainless Steel
PAA: Polished Anodised Aluminium
PB: Polished Brass

GHL 441 Coat Hook



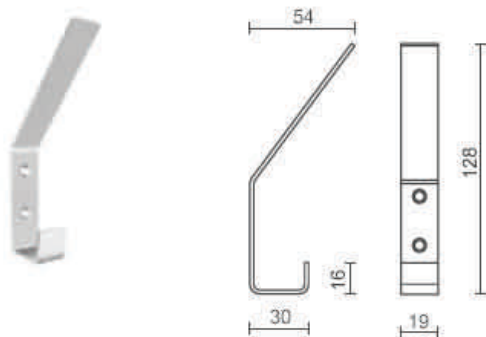
- **Finishes:** SSS: Satin Stainless Steel
PSS: Polished Stainless Steel
PAA: Polished Anodised Aluminium
PB: Polished Brass

GHL 441B Buffered Coat Hook



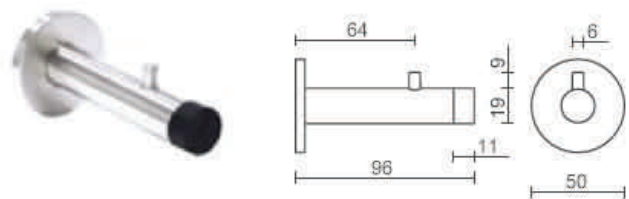
- **Finishes:** SSS: Satin Stainless Steel
PSS: Polished Stainless Steel
PAA: Polished Anodised Aluminium
PB: Polished Brass

GHL 442 Strip Pattern Hat & Coat Hook



- **Finishes:** SSS: Satin Stainless Steel
PSS: Polished Stainless Steel
PAA: Polished Anodised Aluminium

GHL 443



- **Finishes:** SSS: Satin Stainless Steel
PSS: Polished Stainless Steel

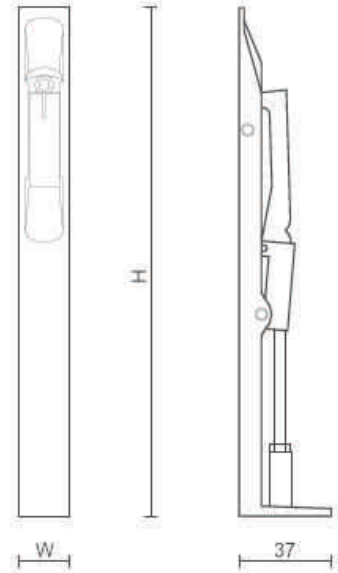
GHL/FB 1-6

Flushbolt For Wooden Doors



- **Finishes:** PAA: Polished Anodised Aluminium
- SCP: Satin Chrome Plate
- PCP: Polished Chrome Plate
- SNP: Satin Nickel Plate
- PB: Polished Brass

- GHLFB 1 :** H 150 x W 19
- GHLFB 2 :** H 200 x W 19
- GHLFB 3 :** H 250 x W 19
- GHLFB 4 :** H 300 x W 19
- GHLFB 5 :** H 450 x W 19
- GHLFB 6 :** H 600 x W 19



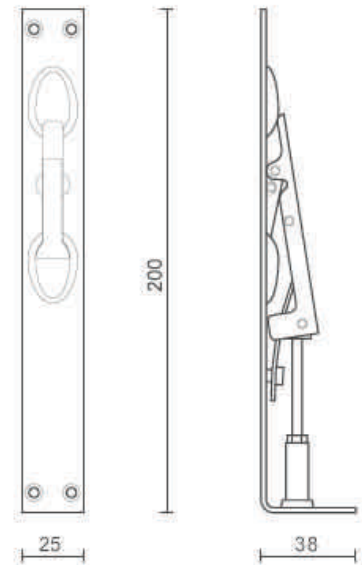
GHL /FB 7

Flushbolt For Wooden Doors



- **Finishes:** SSS: Satin Stainless Steel

- GHLFB 7 :** H 200 x W 25



GHL282D.8 & .9

Metal Door Flushbolts

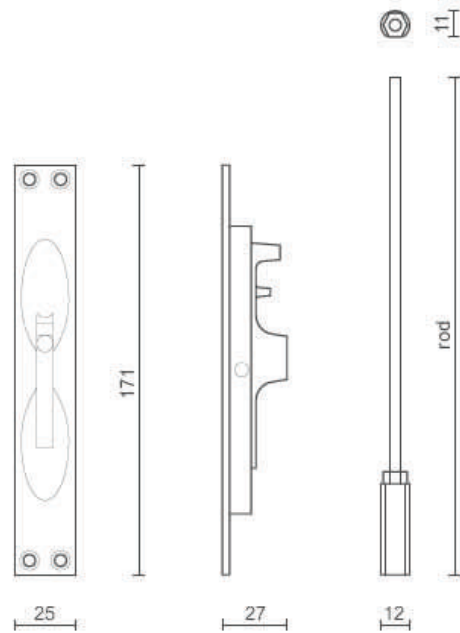


- **Finishes:** SCP: Satin Chrome Plate

GHL 282D.8 : 200mm rod

GHL 282D.9 : 300mm rod

- These bolts have been fire tested for 240 min

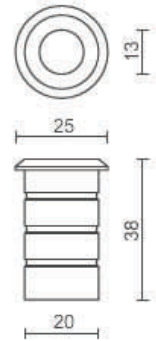


GHLDS 75

Dust Excluding Sockets



- **Finishes:** SSS: Satin Stainless Steel
PSS: Polished Stainless Steel
SCP: Satin Chrome Plate
PB: Polished Brass

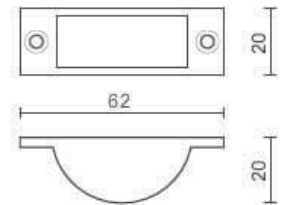


GHLEC 80

Easy Clean Sockets



- **Finishes:** PAA: Polished Anodised Aluminium
SCP: Satin Chrome Plate
PB: Polished Brass

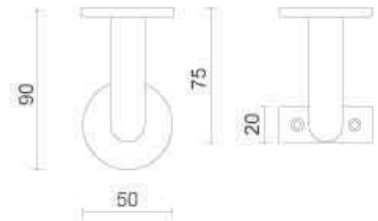


GHLH 480

Handrail Bracket



- **Finishes:** SSS: Satin Stainless Steel
PSS: Polished Stainless Steel
PAA: Polished Anodised Aluminium
PB: Polished Brass

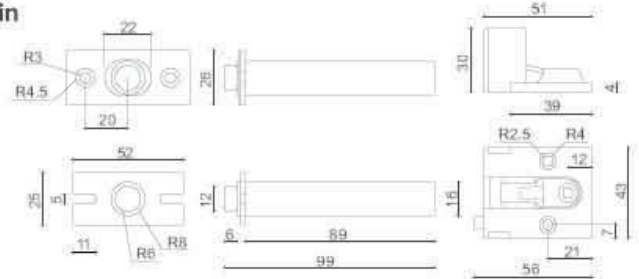


GHLDC 22

Concealed Fix Security Door Chain



- **Finishes:** PCP: Polished Chrome Plate
PB: Polished Brass

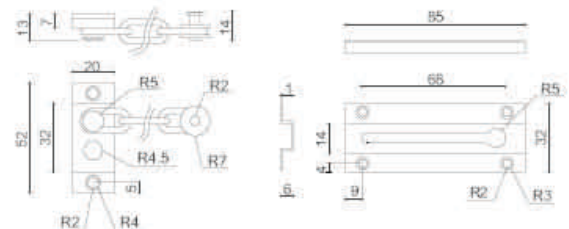


GHLDC 24

Surface Mounted Door Chain



- **Finishes:** PCP: Polished Chrome Plate
SNP: Satin Nickel Plate
SCP: Satin Chrome Plate
PB: Polished Brass

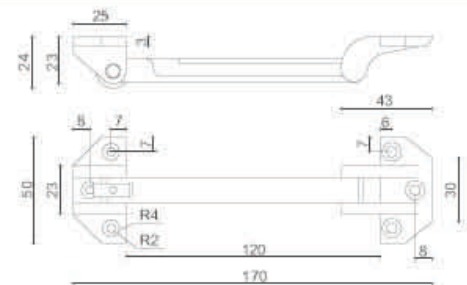


GHLDC 25

Door Guard



- **Finishes:** PCP: Polished Chrome Plate
SCP: Satin Chrome Plate
PB: Polished Brass

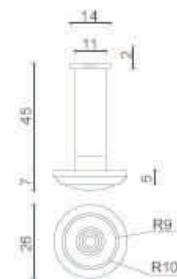


GHLDV 32

Door Viewer



- **Viewing angle:** 180 degrees
- **Maximum Door Thickness:** 60 mm
- **Finishes:** PCP: Polished Chrome Plate
SCP: Satin Chrome Plate
PB: Polished Brass

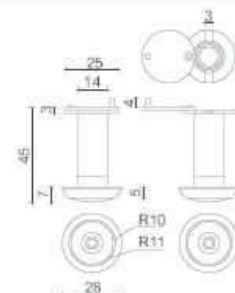


GHLDV 35

Door Viewer with Viewer Cover



- **Viewing angle:** 200 degrees
- **Maximum Door Thickness:** 55 mm
- **Finishes:** SNP: Satin Nickel Plate
PB: Polished Brass
CP: Chrome Plate



GHL/FP 1-4

Finger Plate



- All plates are drilled and countersunk as standard with radius corners.
- Engraved to order.

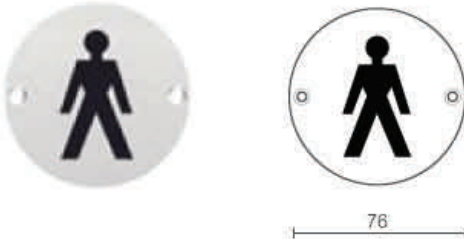
- **Finishes:** SSS: Satin Stainless Steel
PSS: Polished Stainless Steel

GHL/FP 1 : H 300 x W 75
 GHL/FP 2 : H 300 x W 100
 GHL/FP 3 : H 350 x W 100
 GHL/FP 4 : H 400 x W 100



GHL 350

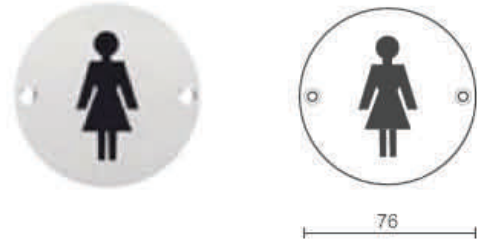
Male



- **Finishes:** SSS: Satin Stainless Steel
PSS: Polished Stainless Steel
PAA: Polished Anodised Aluminium

GHL 351

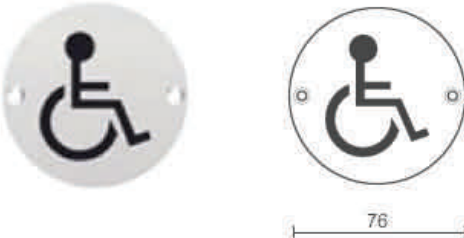
Female



- **Finishes:** SSS: Satin Stainless Steel
PSS: Polished Stainless Steel
PAA: Polished Anodised Aluminium

GHL 352

Disabled



- **Finishes:** SSS: Satin Stainless Steel
PSS: Polished Stainless Steel
PAA: Polished Anodised Aluminium

GHL 353

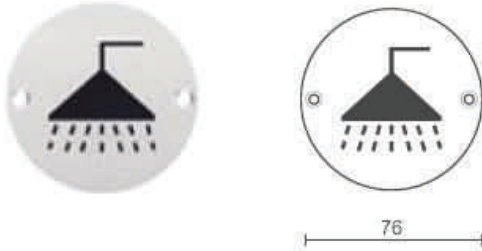
Unisex



- **Finishes:** SSS: Satin Stainless Steel
PSS: Polished Stainless Steel
PAA: Polished Anodised Aluminium

GHL 354

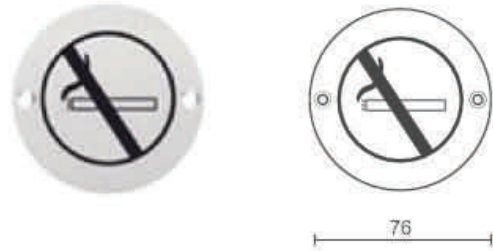
Shower



- **Finishes:** SSS: Satin Stainless Steel
PSS: Polished Stainless Steel

GHL 355

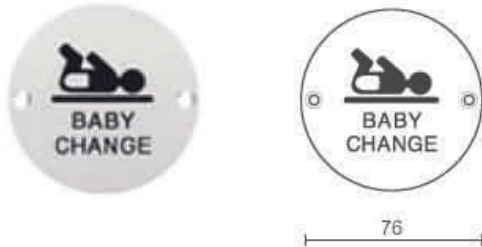
No Smoking



- **Finishes:** SSS: Satin Stainless Steel
PSS: Polished Stainless Steel

GHL 356

Baby Change



- **Finishes:** SSS: Satin Stainless Steel
PSS: Polished Stainless Steel

GHL 357

Fire Door Keep Shut



- **Finishes:** SSS: Satin Stainless Steel
PSS: Polished Stainless Steel
PAA: Polished Anodised Aluminium

GHL 358

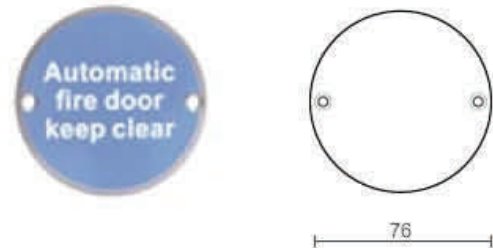
Fire Door Keep Locked



- **Finishes:** SSS: Satin Stainless Steel
PSS: Polished Stainless Steel
PAA: Polished Anodised Aluminium

GHL 359

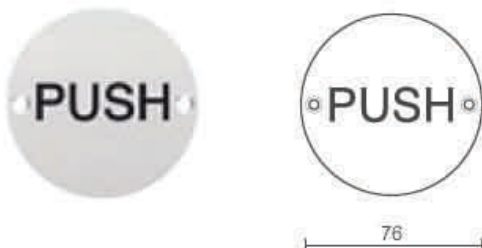
Automatic Fire Door Keep Clear



- **Finishes:** SSS: Satin Stainless Steel
PSS: Polished Stainless Steel
PAA: Polished Anodised Aluminium

GHL 360

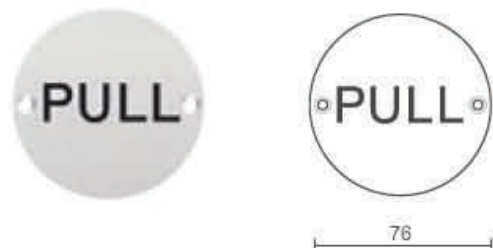
Push



- **Finishes:** SSS: Satin Stainless Steel
PSS: Polished Stainless Steel

GHL 361

Pull



- **Finishes:** SSS: Satin Stainless Steel
PSS: Polished Stainless Steel

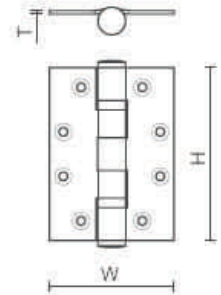
GHLBH

Ball Bearing Hinge



- **Hinge Grade:** Grade 13
- **Features:** Load bearing capacity upto 120Kg and durability tested to over 200 000 cycles
- **Finishes:** SSS: Satin Stainless Steel
PSS: Polished Stainless Steel
- ***Independent Testing:**
Tested to EN1935
- ***Fire Rating:** Tested to EN1634-1

- GHLBH.100** : H 76 x W 52 x T 2
***GHLBH.102** : H 102 x W 76 x T 3
GHLBH.103 : H 102 x W 89 x T 3
***GHLBH.104** : H 102 x W 102 x T 3
GHLBH.105 : H 114 x W 102 x T 3.4
GHLBH.106 : H 114 x W 114 x T 3.5



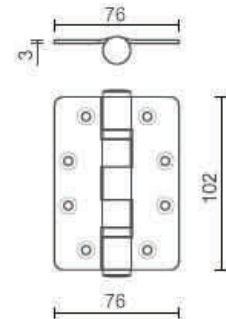
GHLRCH

Radius Cornered Ball Bearing Hinge



- **Finishes:** SSS: Satin Stainless Steel
PSS: Polished Stainless Steel

- GHLRCH.1** : 102 x 76 x 3
GHLRCH.2 : 100 x 100 x 3



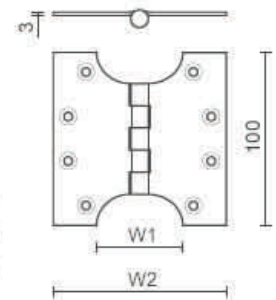
GHLPH

Parliament Hinge



- **Finishes:** PCP: Polished Chrome Plate
PB: Polished Brass
SCP: Satin Chrome Plate

- GHLPH.30** : 100 x W1: 75 x W2: 100
GHLPH.31 : 100 x W1: 75 x W2: 125
GHLPH.32 : 100 x W1: 100 x W2: 150



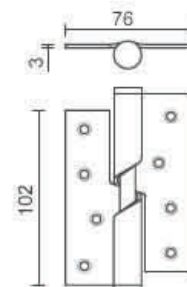
GHLRH

Rising and Falling Hinge



- **Finishes:** SSS: Satin Stainless Steel
PSS: Polished Stainless Steel

- GHLRH.19** : Left Hand Rising Butt Hinge, 102 x 76 x 3
GHLRH.20 : Right Hand Rising Butt Hinge, 102 x 76 x 3
GHLRH.21 : Left Hand Falling Butt Hinge, 102 x 76 x 3
GHLRH.22 : Right Hand Falling Butt Hinge, 102 x 76 x 3



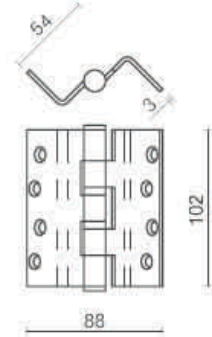
GHLSCH 25

Swing Clear Ball Bearing Hinge



- **Finishes:** SSS: Satin Stainless Steel
PSS: Polished Stainless Steel
PCP: Polished Chrome Plate
PB: Polished Brass

GHLSCH.25 : 102 x 3



GHLCH

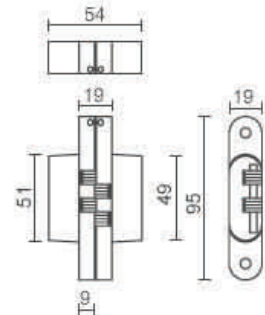
Concealed Hinge



- **Finishes:** Zinc diecast
SNP: Satin Nickel Plate
PB: Polished Brass
- **Note:** Not suitable for fire doors

GHLCH212 : 95mm (for doors 28-34mm)

GHLCH216 : 117mm (for doors 35-38mm)



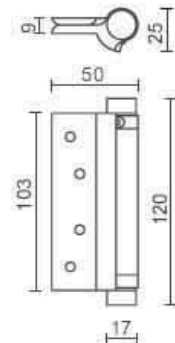
GHLSA

Single Action Spring Hinge



- **Features:** Suitable for doors up to 4" wide x 8" high by max 80kgs
- **Fire Rating :** UL listed & EN1634-1 tested
- **Finishes :** US26D (SCP: Satin Chrome Plate) : standard
US32S(SSS: Satin Stainless Steel) : to order

GHLSA : 4.5" x 4" (114x101mm)



GHLDA

Double Action Spring Hinge

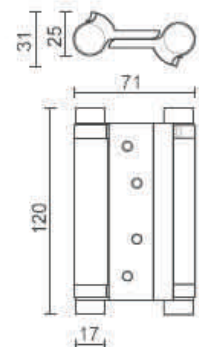


- **Fire Rating :** Not suitable for use on fire doors
- **Finishes :** SSS: Satin Stainless Steel
PSS: Polished Stainless Steel
PB: Polished Brass

GHLDA 101 : 4" for doors max 22kg

GHLDA 102 : 5" for doors max 27kg

GHLDA 103 : 6" for doors max 40kg

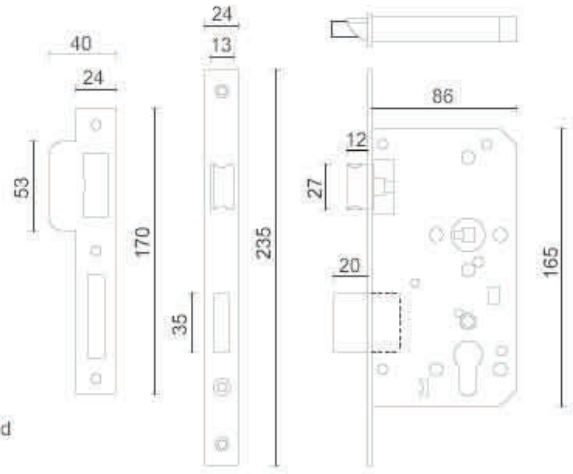


GHL 1000

DIN Standard Euro Profile Sashlock



- **Dimensions:** 72mm centre to centre, 55mm Backset, 8mm Follower, 24mm wide forend
- **Finishes:** SSS: Satin Stainless Steel

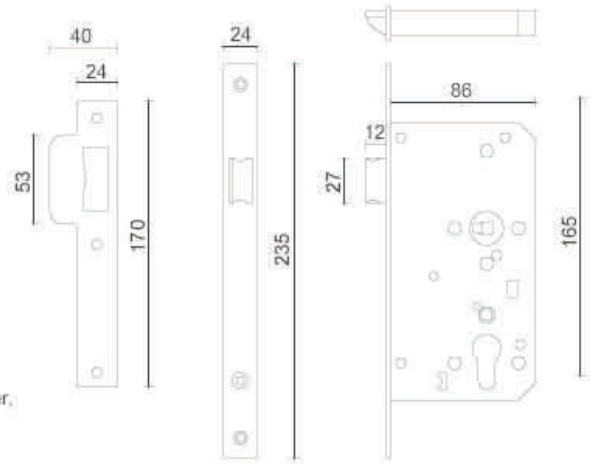


GHL 1001

DIN Standard Latch



- **Dimensions:** 55mm Backset, 8mm Follower, 24mm wide forend
- **Finishes:** SSS: Satin Stainless Steel

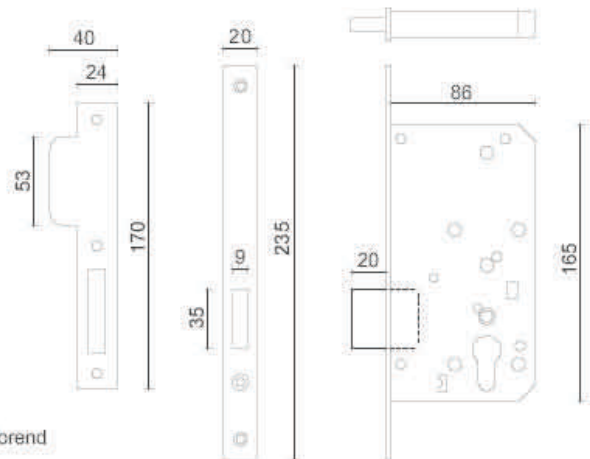


GHL 1002

DIN Standard Deadlock



- **Dimensions:** 55mm Backset, 24mm wide forend
- **Finishes:** SSS: Satin Stainless Steel

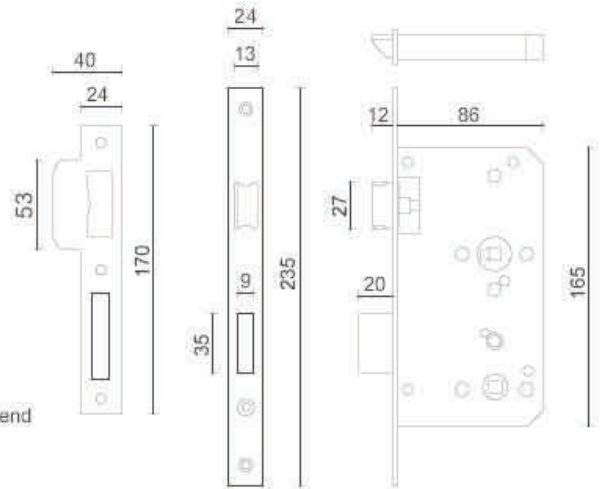


GHL 1008

DIN Standard Bathroom Lock



- **Dimensions:** 78mm centre to centre, 55mm Backset, 8mm Follower, 24mm wide forend
- **Finishes:** SSS: Satin Stainless Steel

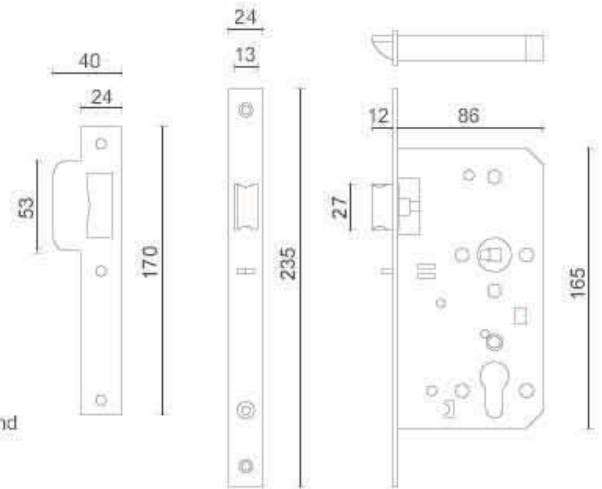


GHL 1009

DIN Standard Night Latch



- **Dimensions:** 55 Backset, 24mm wide forend
- **Finishes:** SSS: Satin Stainless Steel

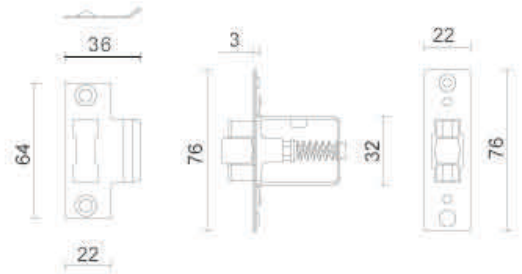


GHLCH 825

Heavy Duty Roller Catch



- **Finishes:** SSS: Satin Stainless Steel
PSS: Polished Stainless Steel
PB: Polished Brass

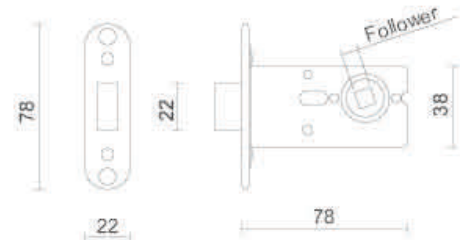


GHLCHDB 1

Bathroom Deadbolt



- **Available with :** Follower: 5mm or 8mm
- **Finishes:** SSS: Satin Stainless Steel
PSS: Polished Stainless Steel
PB: Polished Brass



GHLPH 6080F

Touch Bar Panic Latch



- **Independent Certification:** U.L. Listed
- **Fire Rating:** U.L. Fire Rating Up to 3 hours
- **Finishes:** SSS: Satin Stainless Steel
Silver

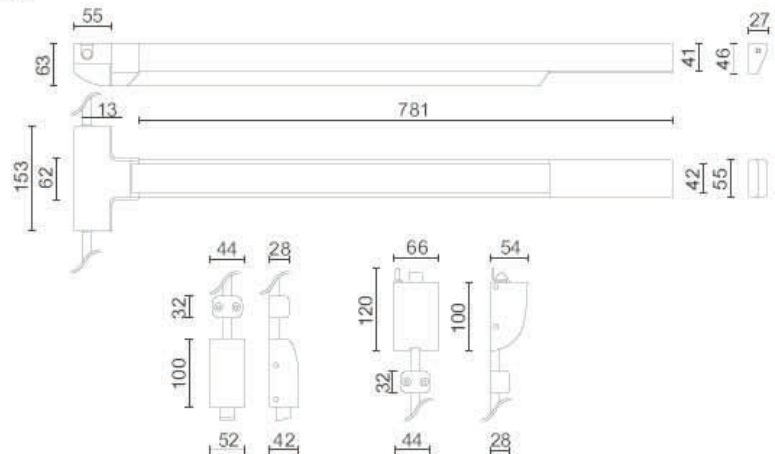


GHLCPH 6080FV

Touch Bar Panic Bolt

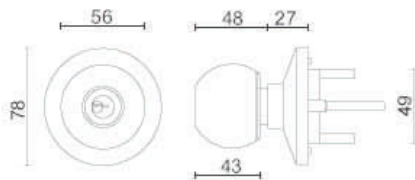


- **Optional:** Plate for double doors
- **Independent Certification:** U.L. Listed
- **Fire Rating:** U.L. Fire Rating Up to 3 hours
- **Finishes:** SSS: Satin Stainless Steel
Silver

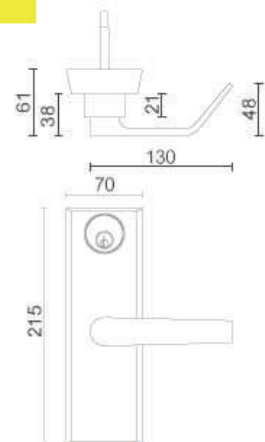


GHLCP 649

External Knob trim

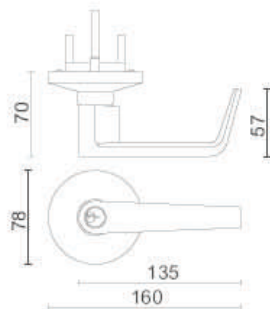


GHLCP 650



GHLCP 649

External Lever trim



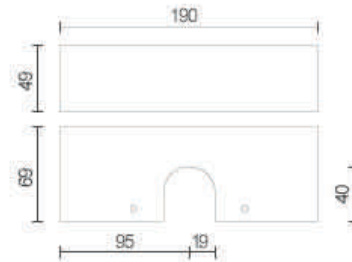
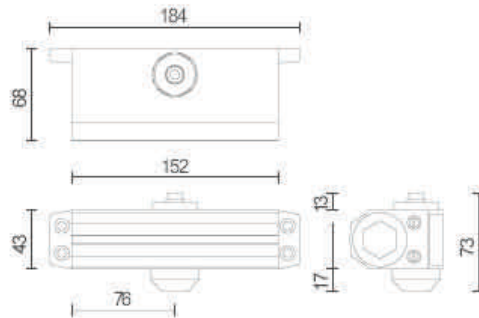
- **Features:** Can be master keyed alongside euro profile cylinder suites
- **Independent Certification:** U.L. Listed
- **Fire Rating:** U.L. Fire Rating Up to 3 hours
- **Finishes:** SCP: Satin Chrome Plate
- **Spindle** to suit 54mm thick door

GNAT



with Cover

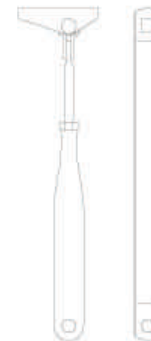
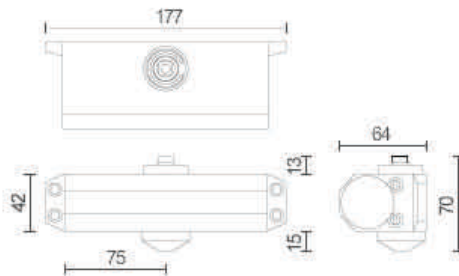
- **Power Size:** 3 (suitable for use on doors up to 60Kg or 950mm Door Width)
- **Finish:** Silver
- **Features:** Adjustable closing and latching speed.
- **Fire Rating:** UL Fire Rated
- **Independent Certification:** U.L. Listed.
- **Covers available in:** P.B., SNP, PCP, Silver



HARRIER



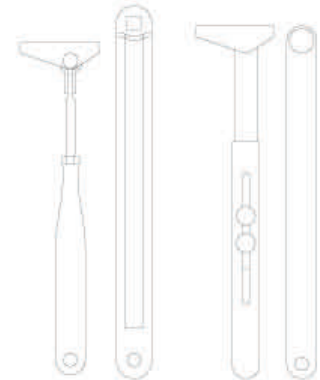
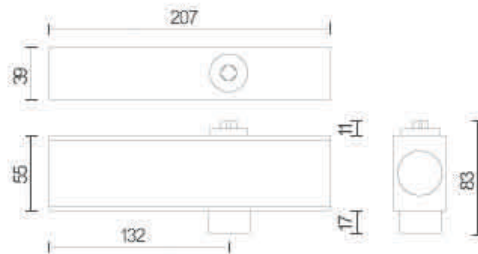
- **Power Size:** 2-4 (suitable for use on doors 40-80 Kg or 850mm-1100mm Door Width)
- **Finish:** Silver
- **Features:** Adjustable power (by template), closing and latching speed.
- **Fire Rating:** UL Fire Rated and tested to EN1634-1
- **Independent Certification:** U.L. Listed & EN Fire Tested.
- **Covers Available:** SSS To order
- **Optional Extras:** Hold open arm, Adjustable Backcheck.



NIMROD



- **Power Size:** 2-4 (suitable for use on doors 40-80 Kg or 850mm-1100mm Door Width)
- **Finish:** Silver
- **Features:** Adjustable power, closing and latching speed.
- **Fire Rating:** EN1634-1. To FD60.
- **Independent Certification:** Tested to EN1154
- **Covers Available:** SSS, PSS (Arms also available in SNP& PCP)
- **Optional Extras:** Hold open arm, Adjustable Backcheck, Delayed Action.



VULCAN



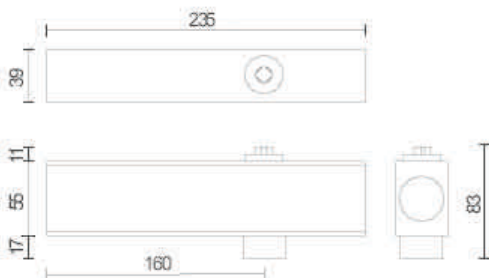
with Cover



with Cover & Extendable Arm



- **Power Size:** 2-5 (suitable for use on doors 40-110 Kg or 850mm-1250mm Door Width)
- **Finish:** Silver
- **Features:** Adjustable power, closing and latching speed.
- **Fire Rating:** EN1634-1. To FD60.
- **Independent Certification:** Tested to EN1154
- **Covers Available:** SSS, PSS (Arms also available in SNP & PCP)
- **Optional Extras:** Hold open arm, Adjustable Backcheck, Delayed Action, Slide Arm

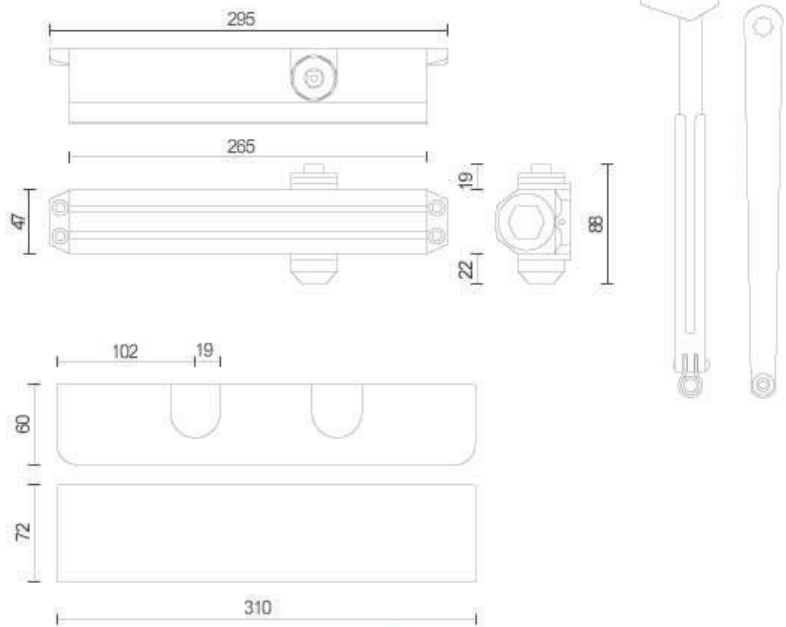


TORNADO



with Cover

- **Power Size:** 2-6 (suitable for use on doors 60-150 Kg or 950mm-1400mm Door Width)
- **Finish:** Silver
- **Features:** Adjustable power, backcheck, closing and latching speed.
- **Fire Rating:** UL Fire Rated
- **Independent Certification:** Tested to EN1154
- **Covers Available:** SNP, PCP (Arms also available in SNP & PCP)
- **Optional Extras:** Hold open arm, Delayed Action.

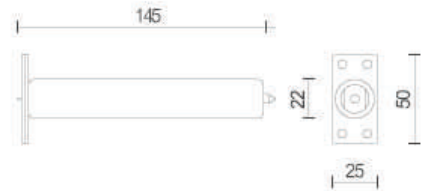


GHLDC 690

Concealed Jamb Closer

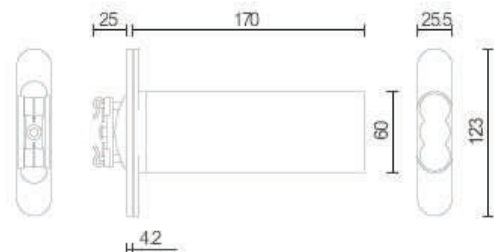


- **Power Size:** Suitable for use on doors up to 51 Kg.
- **Finishes:** N.P., P.B., CP.
- **Available:** Radius Corner
- **Fire Rating:** Tested to EN1634



GHLDC 691

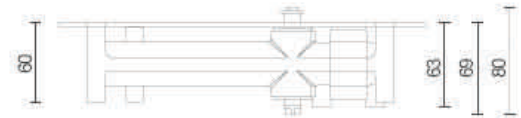
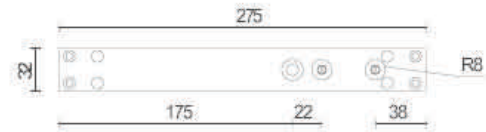
- **Power Size:** 2-4 (suitable for use on doors 40-80 Kg or 850mm-940mm Door Width)
- **Finish:** P.B., SCP
- **Features:** Adjustable closing & latching Speed
- **Fire Rating:** Tested to EN1634-1



GHLDCC 1



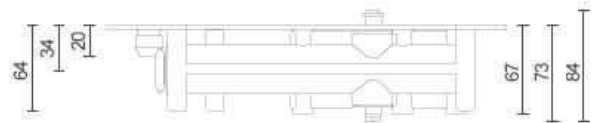
- **Power Size:** 1-3 To EN 1154
(suitable for use on doors up to 60Kg or 950mm Door Width)
- **Finish:** Silver
- **Features:** Adjustable closing & latching speed, Hold open.
- **Fire Rating:** Tested To EN1634-1
- **Minimum Door Thickness:** 44mm



GHLDCC 2



- **Power Size:** 2-4 To EN 1154
(suitable for use on doors 40-80Kg or 850mm-1100mm Door Width)
- **Finish:** Silver
- **Features:** Adjustable power and closing & latching speed, Hold open.
- **Fire Rating:** Tested To EN1634-1. FD60
- **Optional Extras:** Adjustable Backcheck
- **Minimum Door Thickness:** 50mm

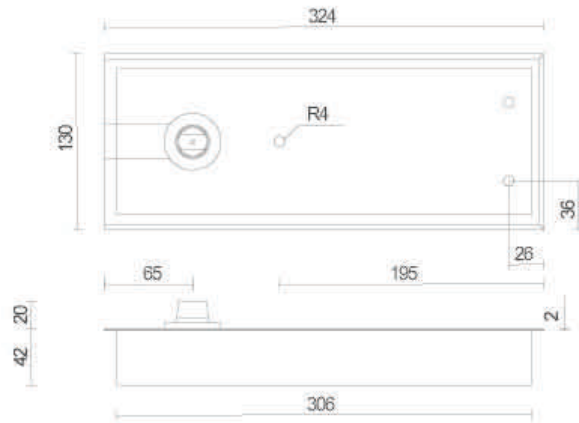


GHLFS 543

*All models available single action and double action



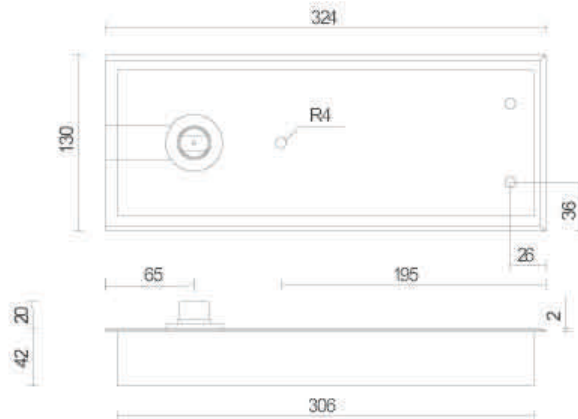
- **Power Size:** 3 (Suitable for use on doors 105Kg or 950mm Door Width)
- **Finish:** SSS
- **Features:** Adjustable closing & latching speed
- **Fire Rating:** U.L. Fire Rated, EN Tested
- **Independent Certification:** U.L. Listed
- **Optional Extras:** 90 & 105 Degree Hold Open & Adjustable Backcheck.



GHLFS 544



- **Power Size:** 4 (Suitable for use on doors 150Kg or 1100mm Door Width)
- **Finish:** SSS
- **Features:** Adjustable closing & latching speed
- **Fire Rating:** U.L. Fire Rated, EN Tested
- **Independent Certification:** U.L. Listed
- **Optional Extras:** 90 & 105 Degree Hold Open & Adjustable Backcheck.



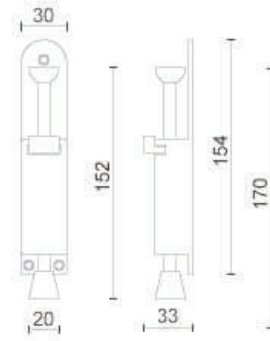
Door Holders

GHLDH 20

Foot Operated Door Holder



- **Finishes:** PCP: Polished Chrome Plate
SCP: Satin Chrome Plate

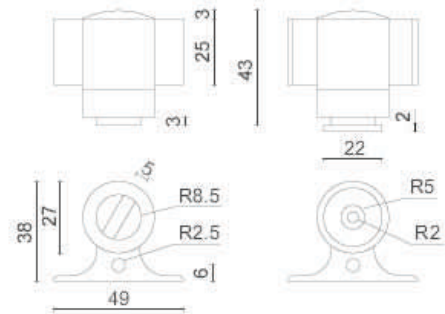


GHLCMH 20

Magnetic Door Holder



- **Finishes:** PCP: Polished Chrome Plate
SCP: Satin Chrome Plate



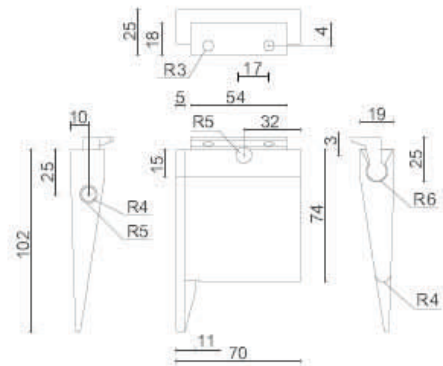
Door Selectors

GHLCDSE 1

Door Selector



- **Finishes:** PCP: Polished Chrome Plate
SCP: Satin Chrome Plate
SSS: Satin Stainless Steel
PB: Polished Brass
Silver

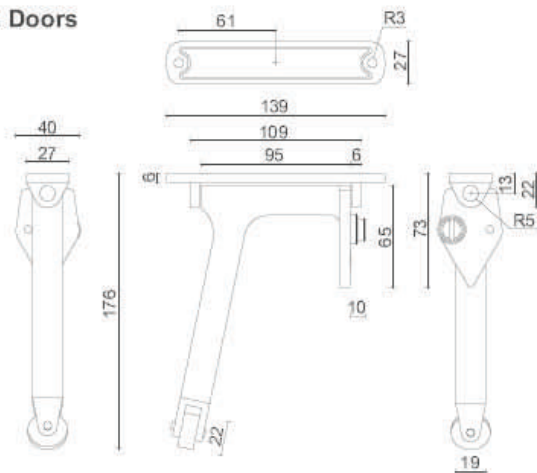


GHLCDSE 2

Gravity Door Selector for Hollow Metal Doors



- **Finishes:** PCP: Polished Chrome Plate
SCP: Satin Chrome Plate

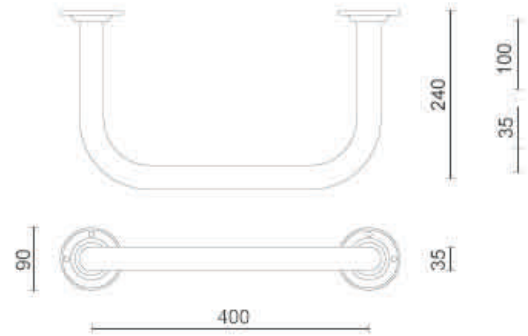


GHLN 1

Back Rest



- Other colours on request
- Finishes: SSS: Satin Stainless Steel
PSS: Polished Stainless Steel
PCW: Powder Coated White



L 400 x 35 x 240

GHLN 2

Backrest With Cushion



- Measurement: 400x35x240mm
- Finishes: PCW: Powder Coated White
SSS: Satin Stainless Steel
PSS: Polished Stainless Steel



GHLN 3

Grab Bars



- Other colours on request
- Finishes: SSS: Satin Stainless Steel
PSS: Polished Stainless Steel
PCW: Powder Coated White



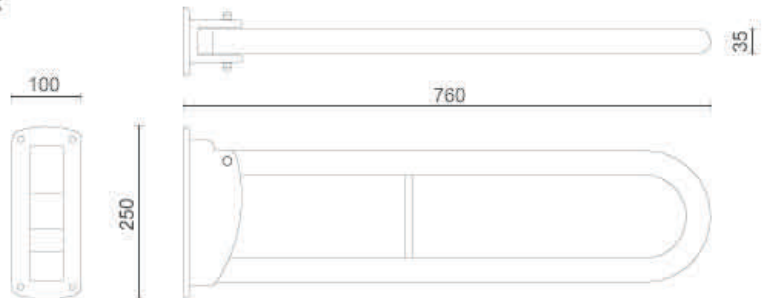
L 300 x 35 x 100
L 450 x 35 x 100
L 600 x 35 x 100

GHLN 15

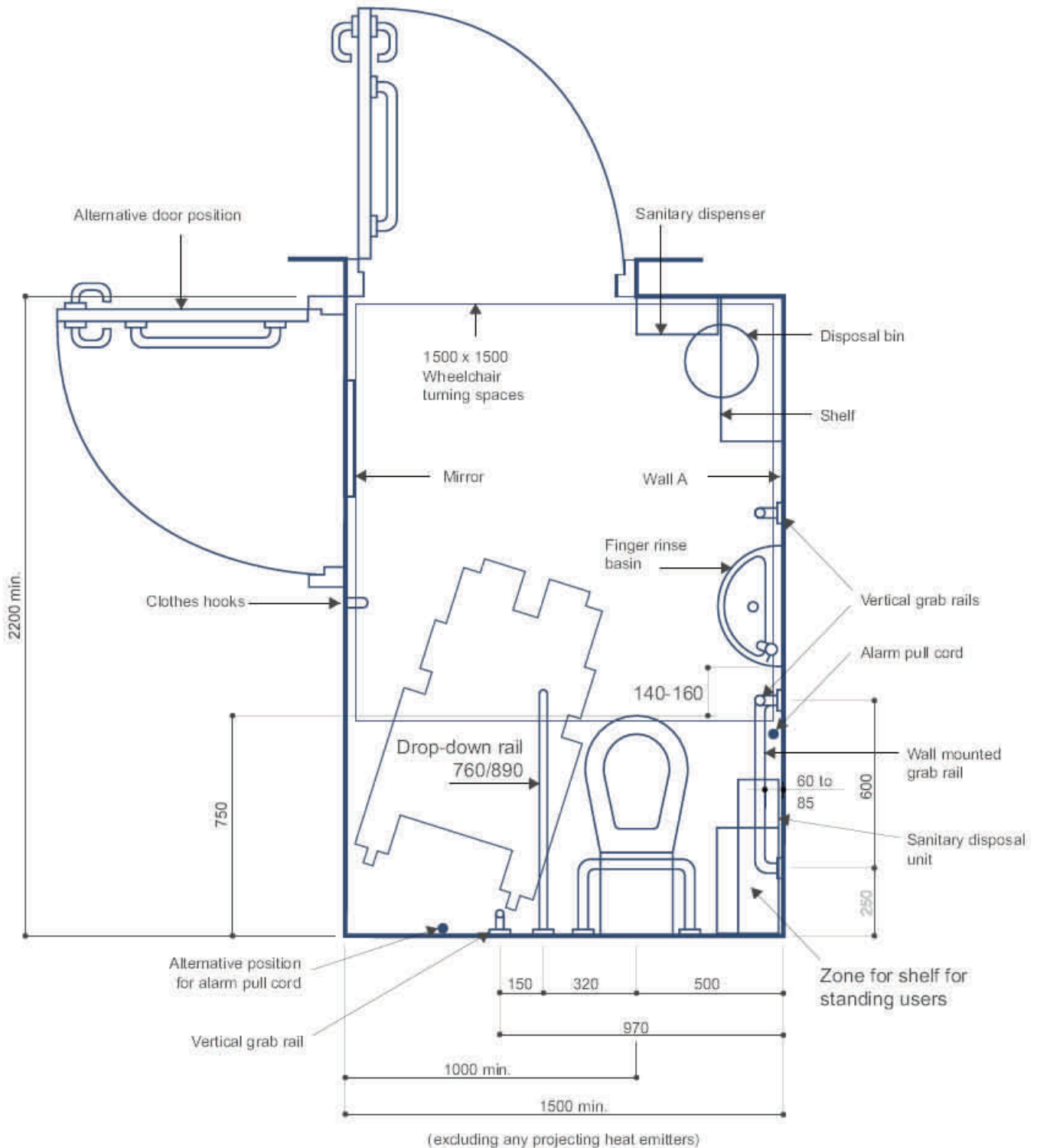
Hinged Arm Support



L 760x 35 x 250



- Other colours on request
- Finishes: SSS: Satin Stainless Steel
PSS: Polished Stainless Steel
PCW: Powder Coated White



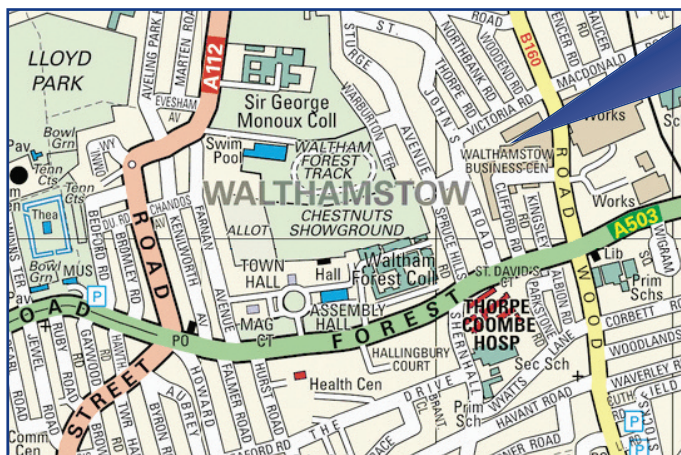


Grant Haze (London) Ltd
Unit 22 Walthamstow Business Centre
Clifford Road, Walthamstow
London E17 4SX
T: 020 8531 9696
F: 020 8531 9678
E: sales@granthazelondon.co.uk
W: www.granthazelondon.co.uk



We can supply an extensive product range with competitive prices and an excellent service. Our catalogue gives an insight into our wide product range, which we are constantly updating. No order is too big or too small, and all our customers benefit from our next day delivery service.

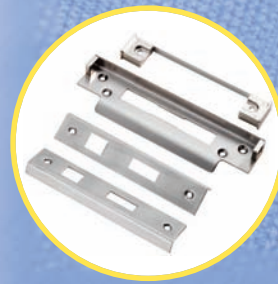
We hope that Grant Haze (London) Ltd can be given the opportunity to compete with other merchants on all your future tenders and thank you for taking the time to look through our catalogue.



stainless



steel



Nearest transportation links

Tube Station:		
Walthamstow Central	0.9 miles	(1.5 km)
Railway Station:		
Wood Street	0.5 miles	(0.7 km)
Motorway Junction:		
M11 Jct 4	2 miles	(3.2 km)
Airport:		
London City	6.6 miles	(10.7 km)