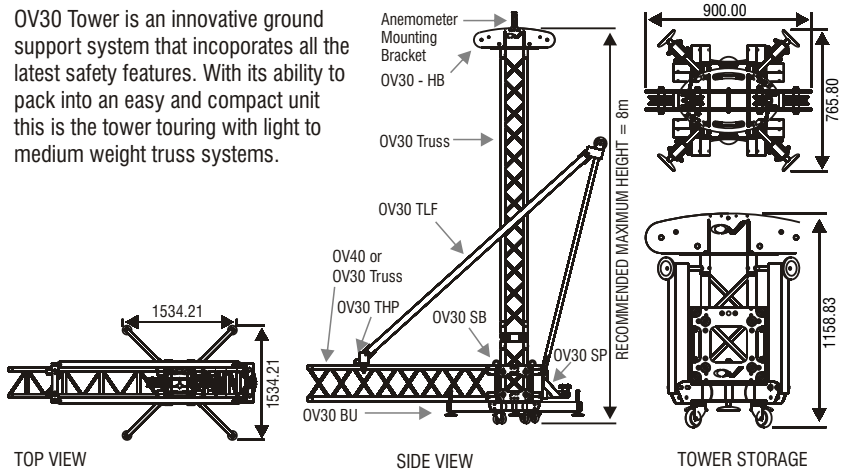


OV Truss OV Tower



OV30 Tower is an innovative ground support system that incorporates all the latest safety features. With its ability to pack into an easy and compact unit this is the tower touring with light to medium weight truss systems.



Components

Head Block; OV30-HB - Features include, Safety chain capture to stop the chain coming out of the block in the unlikely event that the hoist chain jumps the pulley wheels, Secondary set of wheels to allow for safety chain or wheel to be fitted once the system is at height, Optional Anemometer mounting bracket, Utilises the standard OV bolt on connector for maximum versatility, Carry handles built in for ease of use.

Sleeve Block; OV40-SB - Features include, The ability to connect either OV40 and or OV30 trusses, Dedicated positions to allow for a standard shackle or other items to be attached directly for lifting or secondary safety. Utilises the standard OV bolt on connector for maximum versatility, Carry handles built in for ease of use.

Base Unit; OV30-BU - Features include, Foldable Outriggers for compact transport and / or storage, Wheels for ease of moving, Locking pins attached so they cannot be lost or forgotten, Detachable Outriggers, Utilises the standard OV bolt on connector for maximum versatility, Carry handles built in for ease of use.

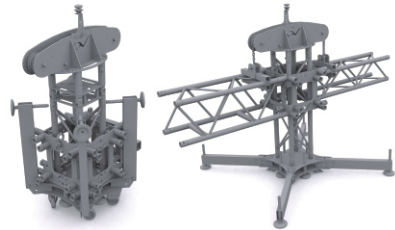
Tower Lifting Frame; OV30-TLF - Allows for the safe erection of the tower using a motor to control both the lift and descent. No working at height is necessary for this operation.

OV Truss OV Tower



Material Specifications

Mast Type: OV30 Truss, 30cm x 30cm
Horizontal Truss Types: OV30 Truss; OV40 Truss
Material Specifications: EN AW-6082 T6
Fixings: Conical : TFC pins & R3 Clips
Tower Capacity: Nominal 1000 kgs

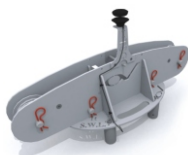


Item Codes, Weights and Dimensions

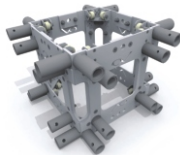
OV30-THP	'OV' Truss, 30cm Squ Tower Hinge Plate, 240mm	300mm x 240mm x 300mm	13.5kg
OV30-TLF	'OV' Truss, 30cm Squ Tower Lifting Frame	N/A	
OV30-BU	'OV' Truss, 30cm Squ, Ali Base unit, inc. outriggers	1550mm x 230mm x 1550mm	35.5kg
OV30-HB	'OV' Truss, 30cm Squ, Tower Head block - no conns	900mm x 240mm x 360mm	17kg
OV40-SB	'OV' Truss, 40cm Squ, Sleeve block for 30cm tower, no conns	400mm x 400mm x 400mm	15kg
OV40-SP	'OV' Truss, 40cm Squ, Sleeve Pickup	300mm x 370mm x 420mm	8kg
OV30-FC100	'OV' Truss, Female bolt-on Connector - 100mm	100mm x 48mm x 48mm	0.4kg
OV30-MC100	'OV' Truss, Male bolt-on Connector - 100mm	100mm x 48mm x 48mm	0.6kg
OV30-TPB	'OV' Truss, 30cm, Truss Pickup Beam - 1000kgs	322mm x 170mm x 65mm	4.2kg
OV40-TPB	'OV' Truss, 40cm, Truss Pickup Beam - 1000kgs	422mm x 170mm x 65mm	5.2kg

Design Specification

Manufactured in accordance with
BS EN 1090-3:2008 : Technical Requirements for aluminium structures
EN ISO 9001:2008 : Quality management systems
BS118 The Structural Use of Aluminium
CE Certified



Head Block



Sleeve Block



Base Unit



Tower Lifting Frame

- All loads are given in Kilograms
- Allowance has been made for self-weight of truss
- The payload of the truss has been calculated as a permanent action. Should it be necessary to consider the payload as a variable action, the tabulated figures should be reduced to 90% of the given values

