

## Tower Systems Lite Mast Tower



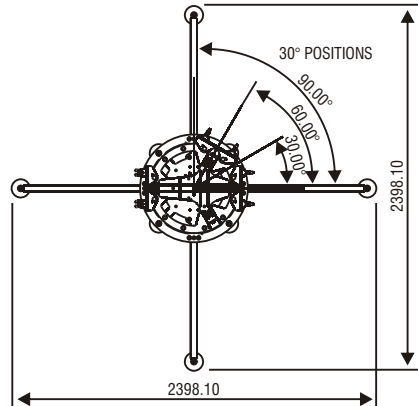
Litemast Tower is still one of the most aesthetically pleasing systems on the market with ergonomic shapes and uniquely circular design. The unit achieves maximum flexibility as unique in it's ability to handle more than 4 interconnecting trusses at any one time.

### Components

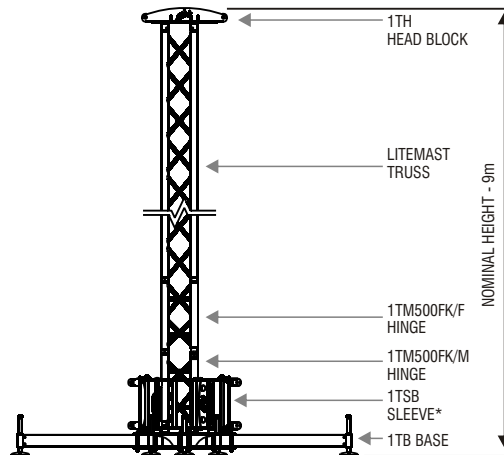
**Head Block; 1TH/GSA** – Features include, Safety chain capture to stop the chain coming out of the block in the unlikely event that the hoist chain jumps the pulley wheels, Elegant and low profile design ideally suited for venues with minimal head room.

**Sleeve Block; 1TSB** – Features include, Unique circular design allowing for various trusses to interconnect at 60deg intervals, Nylon internally mounted wheels for safe capture of tower.

**Base Unit; 1TB/GSA** – Features include, Unique Round machined design, Locking pins attached so they cannot be lost or forgotten, Detachable Outriggers, Bolt on connectors for different truss types, Fast use levelling jacks.



TOP VIEW



\* CONNECTION PLATES FOR LB, LX, MB, GS & OV TRUSS

SIDE VIEW

## Tower Systems Lite Mast Tower



### Material Specifications

Mast Type:	29cm x 29cm Triangular
Horizontal Truss Types:	Minibeam, GS Truss, Litebeam, Litebox, GS Lite
Material Specifications:	EN AW-6082 T6
Fixings:	Conical : TRP pins & R1 Clips
Tower Capacity:	Nominal 1000 kgs

### Item Codes, Weights and Dimensions

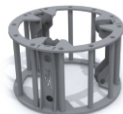
1TB/GSA	Lite Mast GS Tower Circular Tower Base Unit (complete)	1015mm x 310mm x 760mm	42kg
1TH/GSA	Lite Mast GSTower Head Section	690mm x 210mm x 305mm	8.5kg
1TSB	Lite Mast GS Tower Sleeve Block	590mm x 350mm x 590mm	14kg
1TM500/FK/F	Lite Mast 0.5Mt Truss Section / Female Fork / Male Taper	500mm x 260mm x 280mm	4.8kg
1TM500/FK/M	Lite Mast 0.5Mt Truss Section / Male Fork / Female Taper	500mm x 260mm x 280mm	4.8kg
1TSBP/GS/F	GS Truss Connection Plate For 1TSB / FM + 2 x RDP	360mm x 140mm x 355mm	7kg
1TSBP/GS/M	GS Truss Connection Plate For 1TSB / M + 2 x RDP	360mm x 140mm x 355mm	7kg
1TSBP/LB/F	Lite Beam Connection Plate For 1TSB / F + 2 x RDP	365mm x 140mm x 300mm	6kg
1TSBP/LB/M	Lite Beam Connection Plate For 1TSB / M + 2 x RDP	365mm x 140mm x 300mm	6kg
1TSBP/LX/F	Lite Box Connection Plate For 1TSB / F + 2 x RDP	365mm x 140mm x 300mm	6.5kg
1TSBP/LX/M	Lite Box Connection Plate For 1TSB / M + 2 x RDP	365mm x 140mm x 300mm	6.5kg
1TSBP/MB/F	Minibeam Connection Plate For 1TSB / F + 2 x RDP	360mm x 140mm x 355mm	7kg
1TSBP/MB/M	Minibeam Connection Plate For 1TSB / M + 2 x RDP	360mm x 140mm x 355mm	7kg
1TSBP/M	Motor Connection Plate For 1TSB + 2 x RDP	360mm x 330mm x 355mm	11kg
LOAD/MB	Minibeam Truss pickup SWL 1000 kg	335mm x 210mm x 100mm	4.5kg
LOAD/LX	Litebox Truss pickup SWL 500 kg	335mm x 210mm x 100mm	4.5kg

### Design Specification

Manufactured in accordance with  
BS EN 1090-3:2008 : Technical Requirements for aluminium structures  
EN ISO 9001:2008 : Quality management systems  
BS118 The Structural Use of Aluminium  
CE Certified



Head Block



Sleeve Block



Base Unit



Hinge Section



Tower

- All loads are given in Kilograms
- Allowance has been made for self-weight of truss
- The payload of the truss has been calculated as a permanent action. Should it be necessary to consider the payload as a variable action, the tabulated figures should be reduced to 90% of the given values

