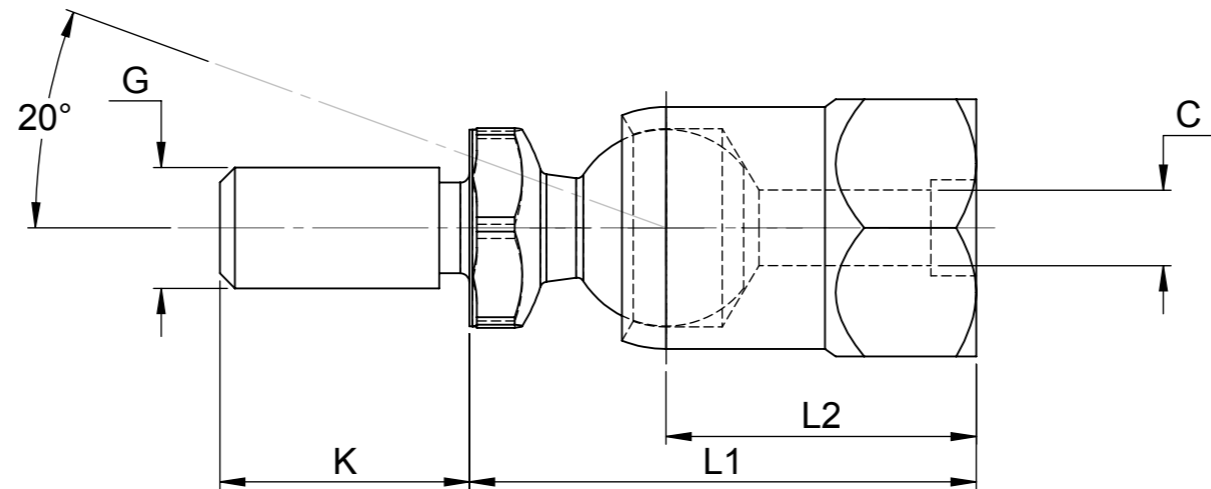


REV	DESCRIPTION
1	NEW CAD DRAWING

CODE	PART NO	DIMENSION					MATERIAL	FINISH
		C	G	K	L1	L2		
A1	08-0181	M6x1.0	M8x1.25	16.5	35.0	22.0	STEEL	PLATED
TOLERANCES		6H	6g	±0.25	±0.20	±0.25		



CAMLOC MOTION CONTROL LTD
 Manufacturers of *Camloc* Gas Springs
 15 New Star Road, Leicester, LE4 9JD, England
 Tel: +44 (0) 116 274 3600
 Email: info@camloc.com
 Website: www.camloc.com

DRAWING DATA	
DRAWN: GAH	PROJECT N°: EN1494P
DATE: 22.01.10	
SCALE: 1:1	

TITLE: GENERAL: AXIS BALL JOINT (SALES GWD)	
CUSTOMER: CMCL	
PART N°: GEN AXIAL BALL JOINT	REV: 1
DRAWING N°: GEN AXIAL BALL JOINT	

© CAMLOC MOTION CONTROL LIMITED - THE DESIGN AND INFORMATION CONTAINED IN THIS DRAWING IS STRICTLY CONFIDENTIAL. IT IS THE EXCLUSIVE PROPERTY OF CAMLOC MOTION CONTROL LIMITED AND MUST NOT BE USED, COPIED OR REPRODUCED IN PART OR WHOLE WITHOUT WRITTEN PERMISSION FROM CAMLOC MOTION CONTROL LIMITED

DRAWING IS COMPUTER GENERATED. DO NOT HAND MODIFY.

IF IN DOUBT, ASK.

DRAWING UNCONTROLLED WHEN PRINTED PLEASE CHECK ORDER REVISION LEVEL BEFORE MANUFACTURE