

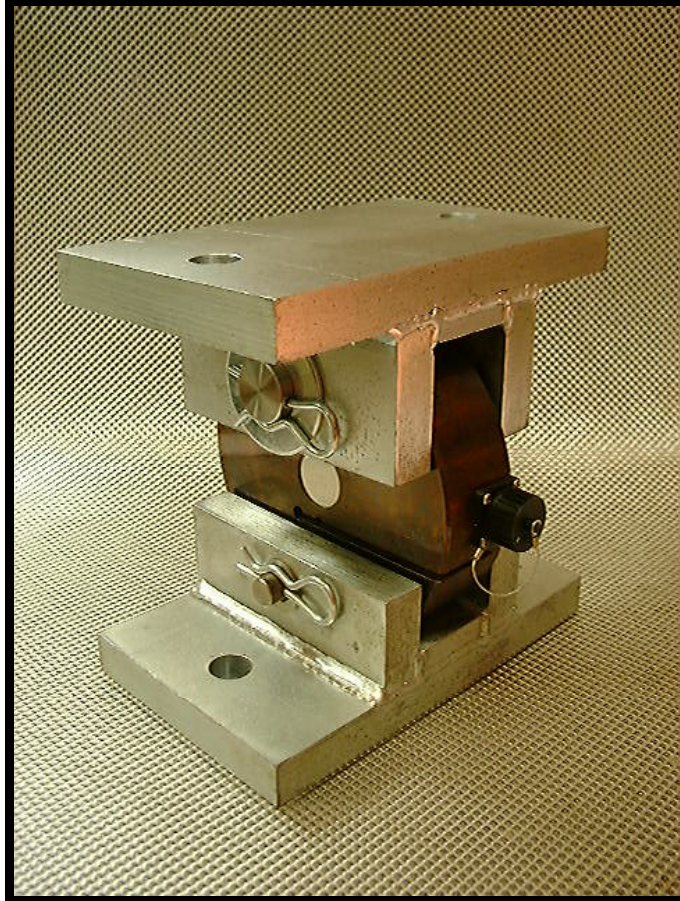
TNC 3000C



Compression Cell Series TNC 3000 COMP

CAPACITIES 1 te to 30te

For Tank, Vessel & Hopper Weighing



- ▶ **Stainless Steel load cell**
- ▶ **Integral lift off prevention**
- ▶ **Simple Installation**
- ▶ **Eliminates need for tie rods**
- ▶ **Allows for mis-alignment of structure**
- ▶ **Sealed to IP68**
- ▶ **Two Year Warranty**

 **TNC** *ELECTRONICS Ltd*

STRAIN MEASUREMENT TECHNOLOGY

Creating a pathway to your solution

TNC 3000C

Technical Data

Electrical Connections

Connector Fitted (Option)

Mechanical Interface

Construction

Standard load ranges	Te	1,2,5,7.5,10,15,20,30.
Full Load output	mV/V	2.0 +/-0.1%
Excitation voltage (recommended) dc or ac	V	10
Excitation voltage (maximum) dc or ac	V	15
Safe service load	%	150
Ultimate load	%	300
Safe side load	%	100
Combined error (non-linearity & hysteresis)	%	<+/- 0.05
Repeatability	%	<+/- 0.03
Output at zero load	%	<+/- 1.0%
Input resistance	ohms	385 +/-20
Output resistance	ohms	350 +/-2
Creep after 30 minutes (20 deg C)	%	<+/- 0.05%
Operational temperature range	deg C	-20 to +80
Compensated temperature range	deg C	20 to +70
Temperature coefficient of zero	%/C	<+/-0.005
Temperature coefficient of span	%/C	<+/-0.003
Environmental protection		IP68
Cable length standard	m	10
Insulation	G ohms	>2 at 100V.dc

NOTE: All percentages related to Full Rated Load

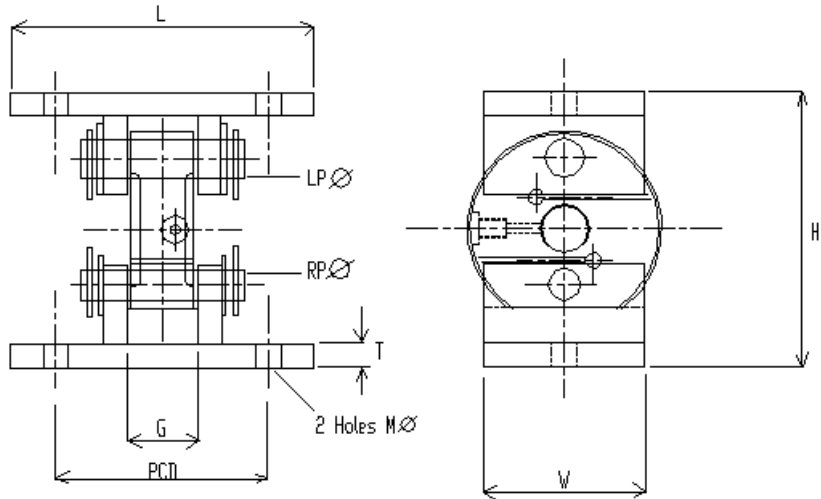
Red + input Green + output
Blue - input Yellow - output
Screen not connected to load cell

IP 68 4 Way Connector

Pin 1 + input Pin 3 + output
Pin 2 - input Pin 4 - output

Via 4 attachment holes

Load cell: Stainless Steel Brackets: Mild steel, Zinc plated
Shafts: 316 Stainless steel



Capacity kg	C	H	L	M	PCD	LP	RP	T	W
1000-7500	45	174	193	18	135	25	16	15	100
10,000-1500	55	238	238	22	175	30	20	25	150
20,000-30,000	55	238	238	22	175	38	20	25	150

ALL DIMENSIONS IN MM

TNC's policy is one of continuous development and these specifications are subject to change without notice



STRAIN MEASUREMENT TECHNOLOGY

Creating a pathway to your solution

Unit C3 Acre Business Park, Acre Road, Berkshire RG2 0SA.

Telephone: 0118 9314107 Facsimile: 01189 9314971

www.tncelectronics.co.uk email: sales@tncelectronics.co.uk