

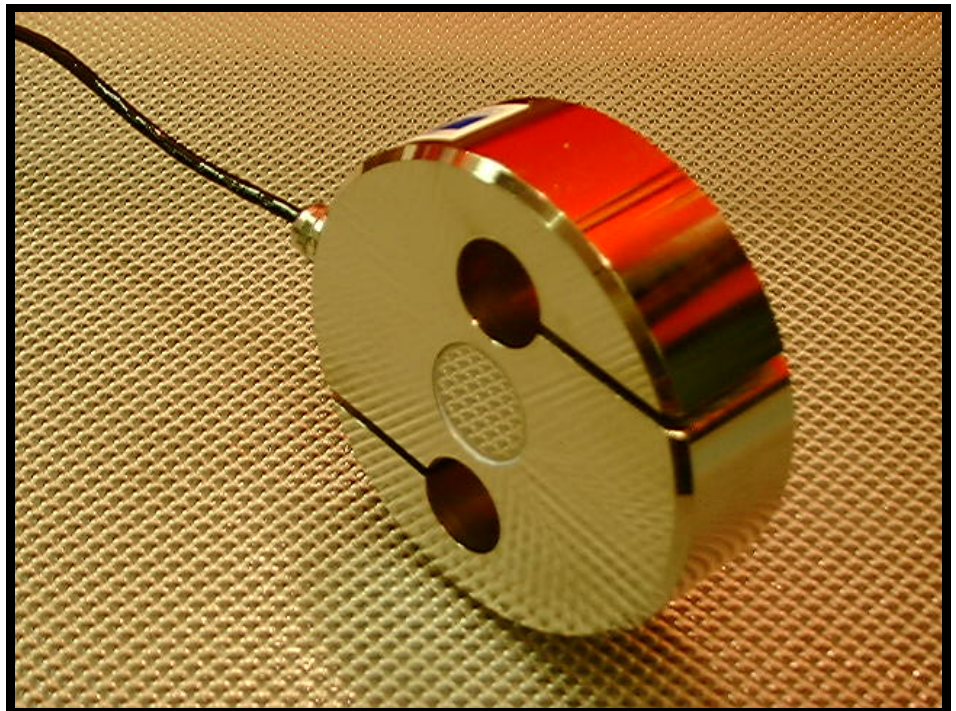
**TNC 3500**



## **S – Beam Load Cell**

### **Series TNC 3500**

CAPACITIES 3.5te to 7.5te Tension



- ▶ **Alloy Steel load cell**
- ▶ **Simple Installation**
- ▶ **Temperature compensated**
- ▶ **Rationalised output**
- ▶ **Sealed to IP67**
- ▶ **Two Year Warranty**

 **TNC** *ELECTRONICS Ltd*  
STRAIN MEASUREMENT TECHNOLOGY

Creating a pathway to your solution

# TNC 3500

## Technical Data

Standard load ranges	Te	3.5,5,7.5,10.
Full Load output	mV/V	2.0 +/-0.1%
Excitation voltage (recommended) dc or ac	V	10
Excitation voltage (maximum) dc or ac	V	15
Safe service load	%	150
Ultimate load	%	300
Safe side load	%	100
Combined error (non-linearity & hysteresis)	%	<+/- 0.05
Repeatability	%	<+/- 0.03
Output at zero load	%	<+/- 1.0%
Input resistance	ohms	385 +/-20
Output resistance	ohms	350 +/-2
Creep after 30 minutes (20 deg C)	%	<+/- 0.05%
Operational temperature range	deg C	-20 to +80
Compensated temperature range	deg C	20 to +70
Temperature coefficient of zero	%/C	<+/-0.005
Temperature coefficient of span	%/C	<+/-0.003
Environmental protection		IP67
Cable length standard	m	6
Insulation	M ohms	>500 at 100V.dc

NOTE: All percentages related to Full Rated Load

## Electrical Connections

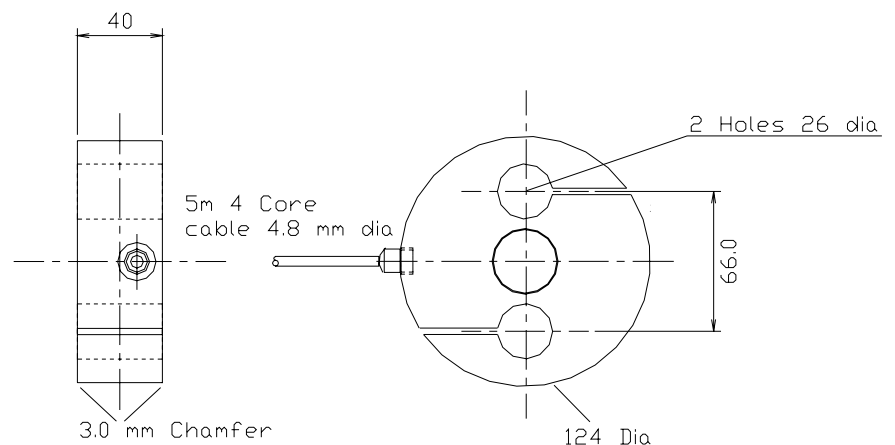
**Red + input      Green + output**  
**Blue - input      Yellow - output**  
**Screen not connected to load cell**

## Mechanical Interface

**Via 2 holes 26mm diameter**

## Construction

**Load cell: Plated EN24T**



ALL DIMENSIONS IN MM

TNC's policy is one of continuous development and these specifications are subject to change without notice



**Creating a pathway to your solution**

Unit C3 Acre Business Park, Acre Road, Berkshire RG2 0SA.  
Telephone: 0118 9314107 Facsimile: 01189 9314971  
[www.tncelectronics.co.uk](http://www.tncelectronics.co.uk) email: [sales@tncelectronics.co.uk](mailto:sales@tncelectronics.co.uk)