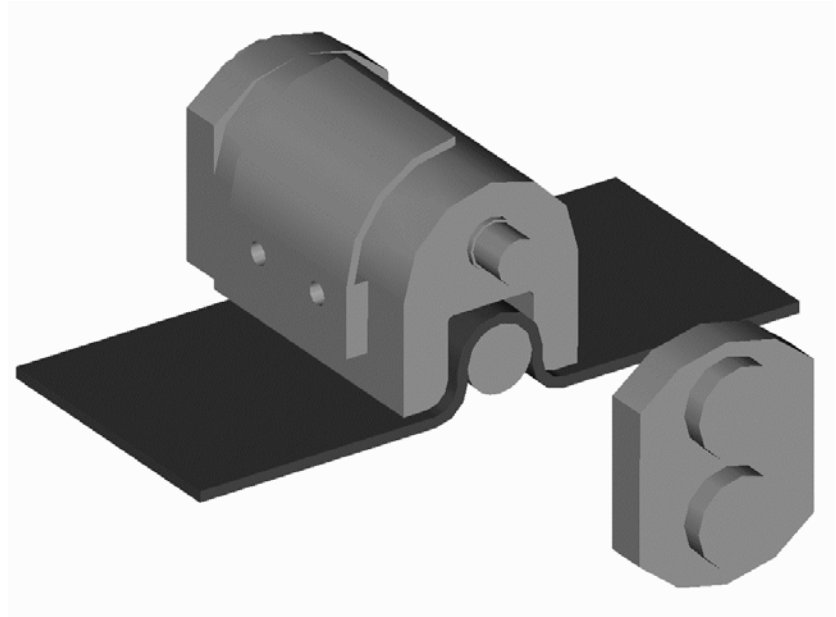




Seat Belt Tension Load cell

Series TNC 450

Capacity 0 to 200N 0 to 6.5kN



- ▶ **Aluminium Construction**
- ▶ **High over-load capability**
- ▶ **Easily Fitted to Belt**
- ▶ **High Accuracy**



STRAIN MEASUREMENT TECHNOLOGY

Creating a pathway to your solution

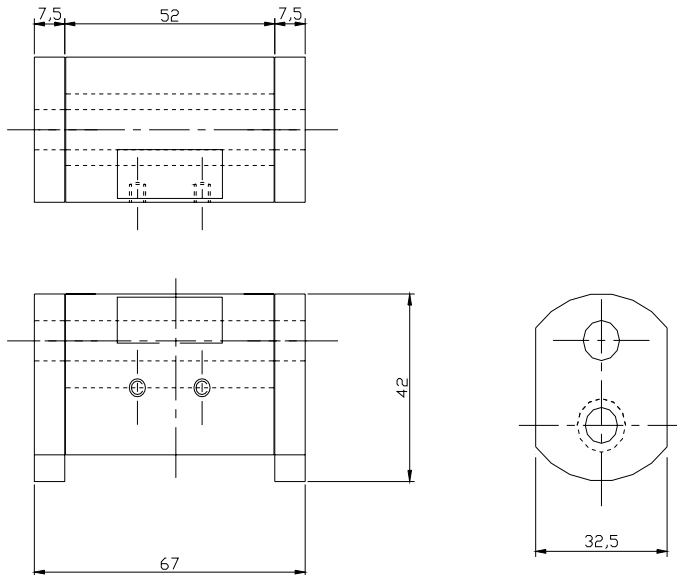
Technical Data

Standard load ranges	N	0-200N, 0-6.5kN
Full load output	mV/V	1.0
Excitation voltage (recommended) dc or ac	V	10
Excitation voltage (maximum) dc or ac	V	18
Safe service load	%	3000
Ultimate load	%	5000
Combined error (non linearity and hysteresis)	%	+/- 0.14
Repeatability	%	+/- 0.085
Creep after 30 minutes (at 20 degrees C)	%	+/- 0.05
Output at zero load	%	<+/- 1.0
Input resistance	ohms	350 +/- 30
Output resistance	ohms	350 +/- 5
Operational temperature range	degrees C	- 20 to + 80
Compensated temperature range	degrees C	20 to + 75
Temperature coefficient of zero	%/degrees C	+/- 0.003
Temperature coefficient of span	%/degrees C	+/- 0.003
Environmental protection		IP 65
Insulation	G ohms	>2 at 100V dc
Construction/Weight	Aluminium	250g

Note: All percentages related to Full Rated Load

Electrical Connections

4 Core cable	Red	Ex +ve
	Blue	Ex -ve
	Green	Sig+ve
	Yellow	Sig-ve



All Dimensions in mm

TNC's policy is one of continuous development and these specifications are subject to change without notice.



Creating a pathway to your solution

Unit C3 Acre Business Park, Acre Road, Berkshire RG2 0SA.
 Telephone: 0118 9314107 Facsimile: 01189 9314971
www.tncelectronics.co.uk email: sales@tncelectronics.co.uk