

Ready. Resistant.  
Reliable. Industrial.

# AUTOMAC 33 PIÙ

EN



The automatic packaging machine model **Automac 33 Più** for the packaging of fresh products contained in trays, is particularly suitable for use in supermarkets and small and mid-sized packaging centres. Made completely of stainless steel, aluminium and plastic materials, it is simple, compact and strong. Thanks to the right side exit, it can be easily positioned in even the tightest of spaces.

## Main characteristics

### Easy access to the internal parts of the machine

Quick access to internal parts for periodic operations of cleaning and regular maintenance. The protection slide under the lift ensures the highest levels of hygiene and cleanliness.

### Plug-and-Pack!

Automac 33 Più is powered by 230 or 400 V without any need for compressed air. The maximum in simplicity and silence!

### Reel replacement in less than 45 seconds!

Changing the reel is fast and easy: it takes less than 45 seconds. Moreover, the reduced weight allows the operator to change the reel.

### Integration with the most common automatic weigh-price labelling (WPL) devices

Automac 33 Più can be integrated optimally with the major weigh-price labelling systems produced by Bizerba, CGM, Mettler-Toledo, Omega and others.

### Ideal for packaging fresh and very fresh products

Meat, fish, fruit, vegetables, gastronomy, cheese, and more.

### Mission: to package trays of every shape, colour and size, always and well

Automac 33 Più guarantees the packaging of every tray type, of the most varied shapes and colours. The product is packaged with particular attention to the sealing of the tray underside: the end sealing belt is designed to optimise the sealing of the film without overheating the tray.

### Super customisation

With a wide choice of options such as extended in-feed, conveyors and exit conveyor rollers, the machine can be easily customised according to customer requirements.

### Very high production levels

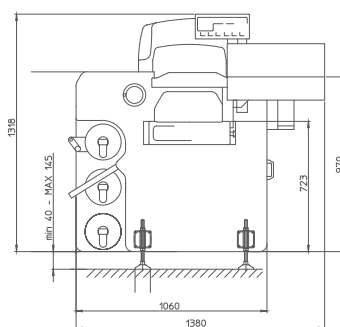
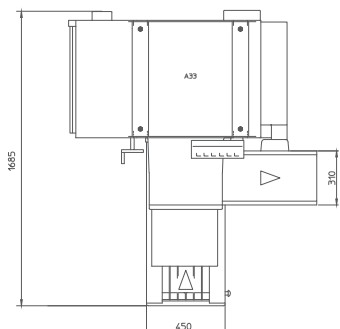
Up to 28 packages a minute: performance that is a characteristic of top of the range packaging machines. One of the best performance/size ratios on the market.

### Safety before anything else!

Each part of Automac 33 Più has been designed in compliance with the most severe regulations for the safety of the operator. In addition, the rounded design of the safety guard eliminates accidental impact during movement in the vicinity of the packaging machine.

### Multi-functional control panel

The Automac 33 Più control panel provides different types of information, with an interface characterised by easy and intuitive use, thanks to the presence of numerous pictograms. Automac 33 Più can manage 99 wrapping programmes, always guaranteeing the best packaging possible.



**28** Optional features from the list.

**28** Speed. Up to 28 packages a minute.

**45** Seconds to change the reel.

**99** Wrapping programmes available.

**280** Stretch film. Reel width min.

**550** Stretch film. Reel width max.

**310** Weight 310 kg.

**2600** Power requirements 2600 VA.

Gruppo Fabbri Vignola guarantees quick, efficient and widespread technical assistance, thanks to a team of qualified and multi-lingual professionals, always at the disposal of customers.

**DISCLAIMER** The content and information provided in this brochure are intended for general marketing purposes, therefore no subject (person or company) must consider them exact or complete. Gruppo Fabbri Vignola, its company organisations, managers, officials, employees, agents and consultants will not be held liable (including liability resulting from error or negligence, without any limitation) for any direct or indirect loss, damage, cost or obligation which could have been suffered resulting from the use or reliance on that contained or omitted in this brochure. Gruppo Fabbri Vignola reserves the right to modify the specifics of its products without any prior notice. For further technical or economical information, please contact the Gruppo Fabbri Vignola Sales Department.

