

AUTOMAC 75 AND AUTOMAC 95

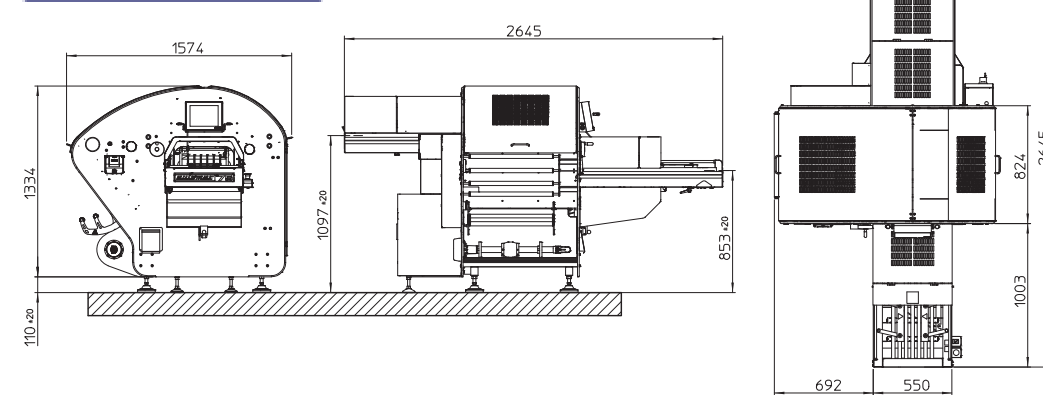
Automac 75 and Automac 95 are Gruppo Fabbri's answer to the increasingly pressing demands for improved performances from packaging centres and industrial production lines. Evolution in technical, functional and aesthetic terms, of *Automac 55 Più*, with the same footprint they increase performance in terms of strength, durability and reliability, maintaining flexibility in the format change and raising the maximum speed of packaging up to 75 or 90 packs per minute respectively.

The new touch-screen monitor, furthermore, allows you interacting with the machines quickly and easily, facilitating packing and maintenance operations.

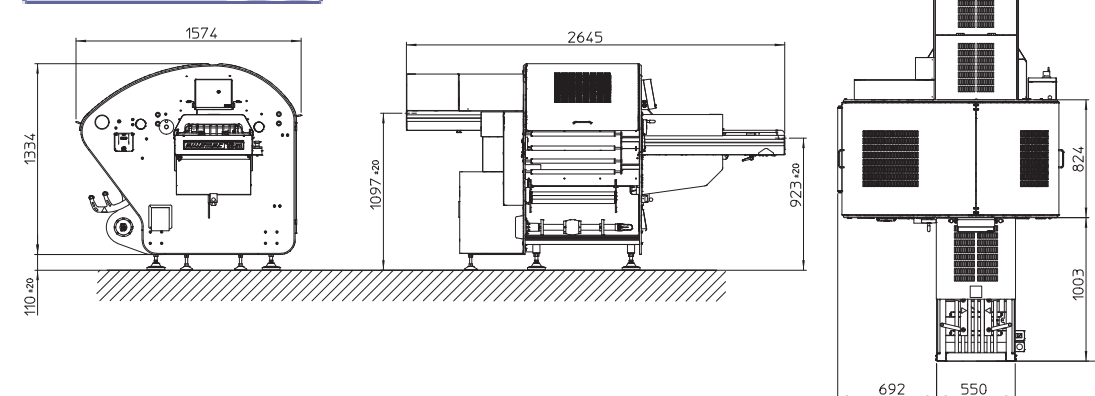
The sleek, elegant lines of *Automac 75* and *Automac 95*, made entirely of stainless steel and aluminium, cover an advanced film unwinding and tensioning system, ensuring a perfect print centring and a smooth and fast packaging process.

Designed with attention to details and the needs of the operator, *Automac 75* and *Automac 95* position themselves at the top of currently in force safety standards and offer a comfortable and protected work area.

automac 75



automac 95



Faster Generation

AUTOMAC 75 & AUTOMAC 95

EN



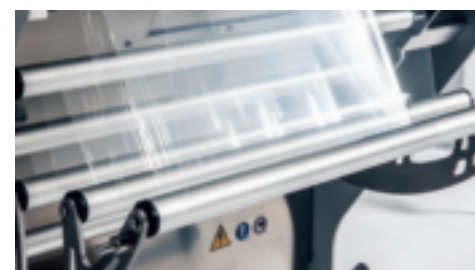
Main characteristics	
Fast and faster	Both high-speed automatic stretch machines , <i>Automac 75</i> and <i>Automac 95</i> differ first of all in production performance: while <i>Automac 75</i> reaches 75 ppm , <i>Automac 95</i> offers discerning clients a maximum speed of 90 ppm . These parameters are adjustable according to the specific requirements of production.
Brilliant!	<i>Automac 75</i> and <i>Automac 95</i> are entirely built of stainless steel and aluminium: sturdy, durable... and beautiful too!
Always perfectly in line	<i>Automac 75</i> and <i>Automac 95</i> can be equipped with infeed extensions, exit conveyors, photocells and connections aimed at the best integration in line with other machinery, both inbound and outbound.
Plug 'n' Pack	<i>Automac 75</i> and <i>Automac 95</i> are powered by 400 V with no need for compressed air: easy to connect, quiet to use.
Practical, functional, hygienic	Periodic cleaning and regular maintenance of <i>Automac 75</i> and <i>Automac 95</i> are appreciably facilitated by 8 access points to the internal parts of the machine, such as, in particular, the sliding safety-guard above the conveyor belt, useful for a timely removal of the product, the ejector and the lifter , quickly removable and washable by themselves, and the gullwing opening safety-guards that is particularly appreciated even in cases where the available space is reduced. Under the lift, furthermore, there is nothing: this ensures the maintenance of perfect hygiene in production and facilitates extremely the cleaning operations .
Film, trays, products... No problem!	Thanks to the many dedicated optional devices <i>Automac 75</i> and <i>Automac 95</i> can ensure the perfect wrapping of any tray, regardless of shape, size or material, and the type of film used, plain or printed. Specifically, the upper self-adjusting ejector allows maintaining a high packaging speed even in the presence of high trays (up to 200 mm with <i>Automac 75</i> !) or with.
Non-stop production	With only 45" required for the reel change, <i>Automac 75</i> and <i>Automac 95</i> promise an almost constant production rate. The optional support for a second reel , moreover, can further reduce this time bringing it under 30" .
Everything under control	Thanks to the new control panel with touch-screen monitor , <i>Automac 75</i> and <i>Automac 95</i> offer up to 29 different editable programs for wrapping, to meet the production needs of each client. The integrated diagnostic system , furthermore, lets you quickly find and fix any faults.
Vivid colours, flawless packaging	Anyone willing to exploit the communication potentialities of packaging finds in <i>Automac 75</i> and <i>Automac 95</i> two excellent solutions. <i>Automac 75</i> and <i>Automac 95</i> are able to work at high-speed even with printed films, thus reuniting branding and efficiency in just one manufacturing process. Thanks to the brilliant combination of printed stretch films of Gruppo Fabbri, a new film unwinding and tensioning system and the sealing belt on the exit , designed to optimize film sealing without overheating, <i>Automac 75</i> and <i>Automac 95</i> produce always perfect packages, where the freshness of the product, held firmly in place on the tray, shines through and is exploited in the best possible way.
Automac: A class!	In the absence of products to be packaged, <i>Automac 75</i> and <i>Automac 95</i> automatically switch to stand-by mode: this drastically reduces power consumption and mechanical wear , prolonging the life cycle of the machine.
Definitely reliable	<i>Automac 75</i> and <i>Automac 95</i> have been designed in compliance with the strictest safety regulations: accessing internal parts is regulated by the microswitches of the machine inspection safety-guards, which block any operation in case of opening. The rounded design and the lack of sharp edges minimise the consequences of accidental impact.



New touch-screen monitor, up to 29 editable programmes



Various optional devices for maximum line integration



Optimised film unwinding and tensioning system



Perfect print centring even at high speeds



Full access to the internal parts of the machine



Maximum solidity and safety with rounded stainless steel safety guards

90 Maximum speed: up to 90 packages per minute for *Automac 95* (75 ppm for *Automac 75*).

180 Min tray format (L x W x H mm). With A lifter 180 x 180 x 10

407 Max tray format (L x W x H mm). With A lifter 260 x 407 x 200*

120 Min tray format (L x W x H mm). With E lifter 120 x 120 x 10

320 Max tray format (L x W x H mm). With E lifter 230 x 320 x 200*

6 Max wrappable weight: 6 kg

Optional devices	Extended in-feed conveyor up to 6 m
	Anti-static in line roller exit conveyor
	Photocell for client belt and product exit control
	Automatic movement of the carriage
	Photocell for printed film centering
	Support for second reel
	America lifter
	Side film clamp device
	90° or 180° right or left exit conveyor
	Remote assistance
	Other optional features upon request

330 Min reel width: 330 mm

550 Max reel width: 550 mm

29 Wrapping programmes available

45 Reel change time: 45"

400 Supply voltage: 400 V three-phase

750 Machine weight: 750 kg

*It is not possible to achieve the three maximum dimensions of the tray at the same time.



Gruppo Fabbri Vignola guarantees quick, efficient and widespread technical assistance, thanks to a team of qualified and multi-lingual professionals, always at the disposal of customers. **DISCLAIMER:** The content and information provided in this brochure are intended for general marketing purposes, therefore no subject (person or company) must consider them exact or complete. Gruppo Fabbri Vignola S.p.A., its company organisations, managers, officials, employees, agents and consultants will not be held liable (including liability resulting from error or negligence, without any limitation) for any direct or indirect loss, damage, cost or obligation which could have been suffered resulting from the use or reliance on that contained or omitted in this brochure. Gruppo Fabbri Vignola S.p.A. reserves the right to modify the specifics of its products without any prior notice. For further technical or economical information, please contact the Gruppo Fabbri Vignola S.p.A. Sales Department.