

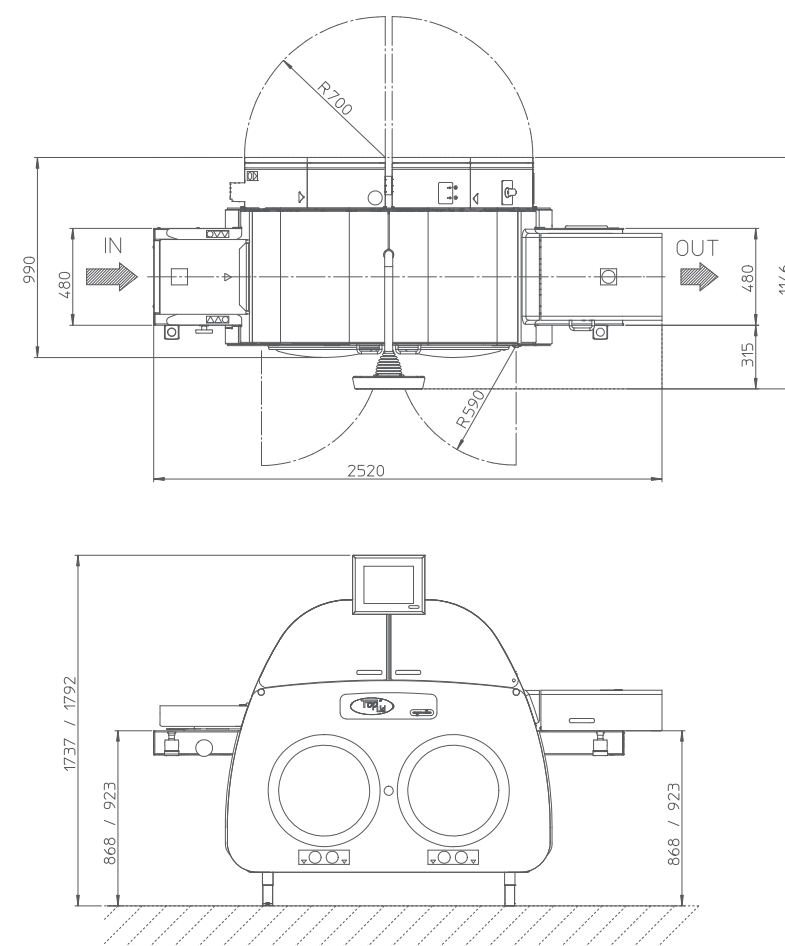
## TOPLID

**TopLid** is the ultra compact tray-sealer by Gruppo Fabbri, known for its performance and simplicity of use.

Fully automatic, it is particularly suitable for the packaging of food products in a protective atmosphere, particularly meat, thanks to the patented gas exchange system.

The compact size, high productivity and simplicity of use make this machine unique. The design of the punching tool has resulted in the extreme lightness of the components, making the format change also accessible to female operators.

Also available in a version completely made of steel, **TopLid** can be used both in supermarket departments and large and medium-sized packaging centres.



A Class of  
its own

TOPLID  
EN





## Main characteristics

**Small space, great speed** TopLid occupies about 1.6m<sup>2</sup> of floor area and provides packaging speeds up to 40 trays per minute in the double-line version. It is the only tray-sealer in the world to offer these benefits with such small dimensions.

**Patented gas exchange system: perfect mixture, always** Thanks to the innovative gas exchange system, TopLid can handle mixtures with residual oxygen lower than 0.3%, without resorting to expensive systems equipped with vacuum generating pump.

**Sporty or classic clothing?** TopLid is available in both blue safety guard and stainless steel safety guard versions, to give you the opportunity to always have the right machine in the right place.

**Format change: in less than 4 minutes and in complete safety!**

The format change is managed by touch-screen monitors and operators can perform operations by following simple, step by step instructions. In addition, the positioning of the various parts is controlled by the machine at different times, effectively excluding the possibility of making errors. Great attention has been given to the operator at this delicate stage: the extremities of the staff are never in contact with the critical parts such as sealer tools and blades, so that each format change can take place in complete safety.

**Ring road or highway: the choice is yours** TopLid can be ordered with a double line configuration, a solution that allows for the use of the full potential of the machine. This configuration can be easily converted to the single line version by simply changing the punching tool and the programme. In the same time that is needed to perform a format change, you will have a machine available that can package different types of trays at the most suitable speeds. Unique!

**Touch-screen monitor: with the most beautiful colours** Simple and intuitive interface to control all machine functions with a simple touch. Everything, multi-lingual and coloured.

**Sealed for assurance. Guaranteed** TopLid, in conjunction with the best performing film in the market, ensures excellent sealing even at maximum speed, ensuring higher safety standards to clients. TopLid provides the best performance with PELid 22, a 5-layer high barrier film, specially developed for tray sealer machines by Gruppo Fabbri.

**Suitable for every tray, in every way** The automatic power of TopLid allows for the packaging of trays without any need for prepositioning or spacing at the entrance, typical of traversing bar machines. It can also handle the same format with different heights at the same time, thanks to the mobile punching tool that brings the tray under the sealing station.

**All accessible, all protected** TopLid, like all the packaging machines of Gruppo Fabbri, features several access points to various mechanical parts, thanks to the semi-covers that can be opened, the two front panels and the exit safety guards. This guarantees utmost simplicity and speed in performing operations of cleaning and regular maintenance. The cabinets containing the electric, electronic and pneumatic units have an IP65 degree of protection and are located at the rear of the machine, ensuring total protection.

**Redundant product, overflowing solution** TopLid can package trays with overflowing products i.e. all those products that, due to presentation or management, need to rise above the ideal edge of the tray. Thanks to the dedicated optional feature, TopLid can offer a protected atmosphere solution with an attractive fresh appearance. It is also special in this regard.



Double row infeed option.



Very accessible inner parts.



Touchscreen monitor for machine interface.



Machine exit conveyor.



Tool workstation area.



Film unwind and tool workstation area.

**1.6** Square meter surface area occupied.

**4** Minutes to change format.

**15** Up to 15 cycles/minute of maximum speed.

**170** Minimum reel width.

**340** Maximum reel width.

**365** Maximum tray size (L x W x H mm) 280 x 365 x 100.

## Optional devices

Extended in-feed conveyors 1 m, 2 m, 4 m.

In line and motorised exit conveyor.

Product exit check.

Photocell for printed film centring.

Mould for 1,2,4 trays.

Support for gas mixer and analyser.

Punching tool for tray with overflowing products.

Stainless steel safety guard.

**22** Optional features available from the list.

**40** Up to 40 trays/minute in the 4-print set up.

**110** Minimum tray format (L x W x H mm) 110 x 120 x 20.

**620** Weight 620 kg.



Gruppo Fabbri Vignola guarantees quick, efficient and widespread technical assistance, thanks to a team of qualified and multi-lingual professionals, always at the disposal of customers.

**DISCLAIMER** The content and information provided in this brochure are intended for general marketing purposes, therefore no subject (person or company) must consider them exact or complete. Gruppo Fabbri Vignola, its company organisations, managers, officials, employees, agents and consultants will not be held liable (including liability resulting from error or negligence, without any limitation) for any direct or indirect loss, damage, cost or obligation which could have been suffered resulting from the use or reliance on that contained or omitted in this brochure. Gruppo Fabbri Vignola reserves the right to modify the specifics of its products without any prior notice. For further technical or economical information, please contact the Gruppo Fabbri Vignola Sales Department.