



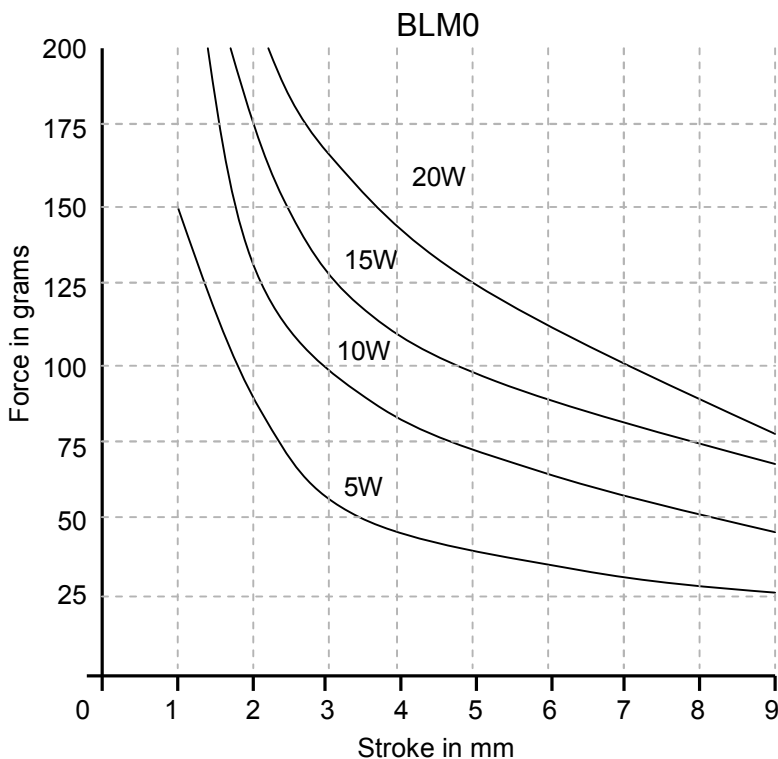
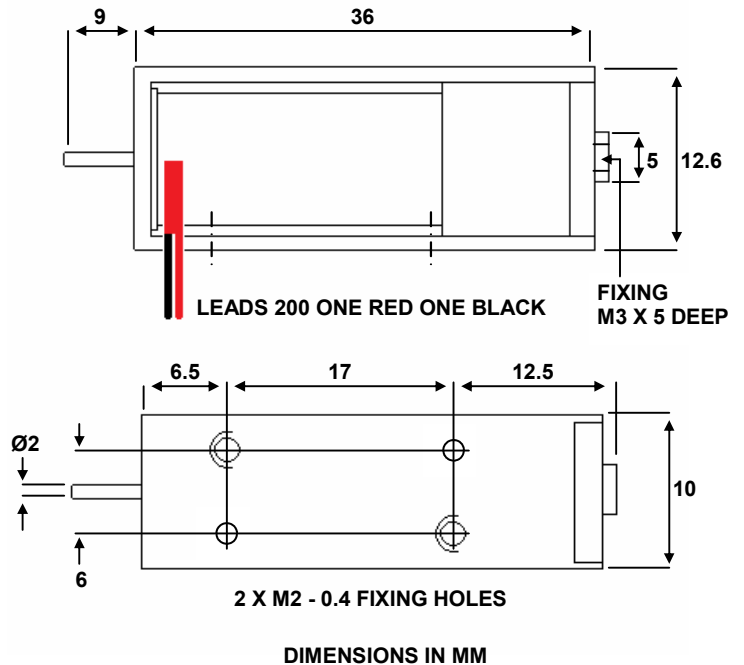
# BLM0 DC LATCHING SOLENOID

**Availability**  
DC only  
PULL - THRUST - PULL & THRUST

**Solenoid shown in energised position**

Weight complete 20g  
Plunger weight 4g max

Solenoid CLOSSES with **RED** Lead + VE  
Solenoid OPENS with **BLACK** Lead + VE



Forces shown are at working temperature  
Cold forces are higher

Minimum Pulse duration - 50ms  
Delatch power 0.5W  
Magnet hold 350g

HE & BS Benson Ltd  
1 Laureate Industrial Estate  
Exning Road  
Newmarket  
Suffolk UK  
CB8 0AR

T. +44(0)1638 663535 – 663130  
F. +44(0)1638 667434  
E. sales@hebsbenson.co.uk  
www.hebsbenson.co.uk

